



US00D436705S

(12) **United States Design Patent**  
**Dow et al.**

(10) **Patent No.: US D436,705 S**

(45) **Date of Patent: \*\* Jan. 23, 2001**

(54) **RECYCLING BIN**

(76) Inventors: **Dolores Dow; Milby Dow, Sr.**, both of  
12431 Normal, Chicago, IL (US) 60628

(\*\*) Term: **14 Years**

(21) Appl. No.: **29/115,180**

(22) Filed: **Dec. 9, 1999**

(51) **LOC (7) Cl. .... 09-09**

(52) **U.S. Cl. .... D34/5; D34/1**

(58) **Field of Search .... D34/1, 5, 6, 10,**  
**D34/24, 14; 220/908, 909, 910, 911**

(56) **References Cited**

**U.S. PATENT DOCUMENTS**

D. 221,475	*	8/1971	Norquest	.....	D34/1
D. 304,631	*	11/1989	McCarville	.....	D34/5
D. 319,126	*	8/1991	Blackman	.....	D34/7
D. 327,760	*	7/1992	Donnelly	.....	D34/7
D. 327,965	*	7/1992	Chelec	.....	D34/7
D. 329,110	*	9/1992	Haneberg	.....	D34/5
D. 330,955	*	11/1992	Humphries	.....	D34/7
D. 331,651	*	12/1992	Nilson	.....	D34/5
D. 332,676	*	1/1993	Benson	.....	D43/1
D. 333,025	*	2/1993	Doherty	.....	D34/7
D. 334,640	*	4/1993	Forish	.....	D34/24
D. 335,561	*	5/1993	Mihyar	.....	D34/7
D. 338,763	*	8/1993	Marberger	.....	D34/7
D. 340,333	*	10/1993	Duran et al.	.....	D34/7
D. 345,837	*	4/1994	Bean	.....	D34/5

D. 353,248	*	12/1994	Bissing	.....	D34/1
D. 353,249	*	12/1994	Hallenbeck	.....	D34/1
D. 393,131	*	3/1998	Scandalis	.....	D34/24
D. 401,727	*	11/1998	Weideman et al.	.....	D34/25
D. 411,676	*	6/1999	Cantrell	.....	D34/7
D. 413,189	*	8/1999	Conti	.....	D34/5
2,572,486	*	10/1951	Issac	.....	220/909
3,214,120	*	10/1965	McKee	.....	220/908
3,720,346	*	3/1973	Cypher	.....	220/909
3,830,514	*	8/1974	Green	.....	220/909
4,834,253	*	5/1989	Crine	.....	220/909
5,127,538	*	7/1992	Bach	.....	220/909
5,197,754	*	3/1993	Ward	.....	D34/24 X
5,380,033	*	1/1995	Harling	.....	D34/24 X

\* cited by examiner

*Primary Examiner*—Cynthia E Ramirez

(74) *Attorney, Agent, or Firm*—Lee, Mann, Smith,  
McWilliams, Sweeney & Ohlson

(57) **CLAIM**

The ornamental design for a recycling bin, as shown.

**DESCRIPTION**

FIG. 1 is a perspective view of our recycling bin;  
FIG. 2 is a left side elevational view of our recycling bin;  
FIG. 3 is a rear elevational view of our recycling bin;  
FIG. 4 is a front elevational view of our recycling bin;  
FIG. 5 is a top plan view of our recycling bin; and,  
FIG. 6 is a bottom plan view of our recycling bin.

**1 Claim, 2 Drawing Sheets**

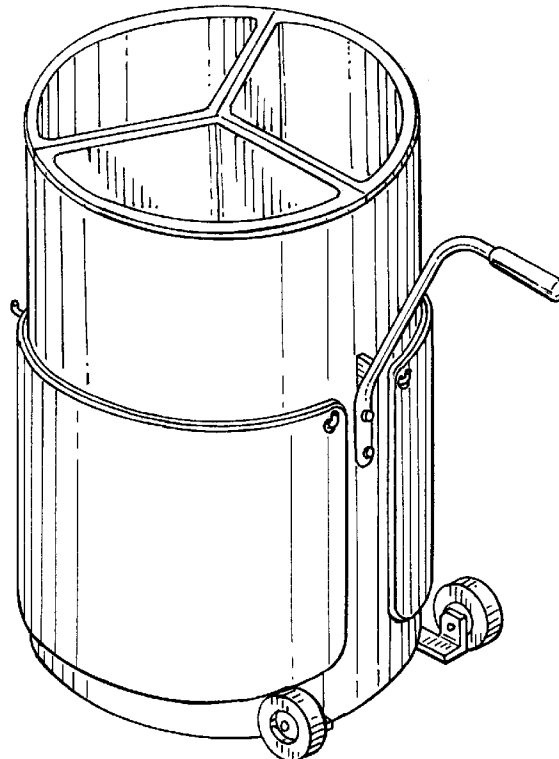


FIG. 1

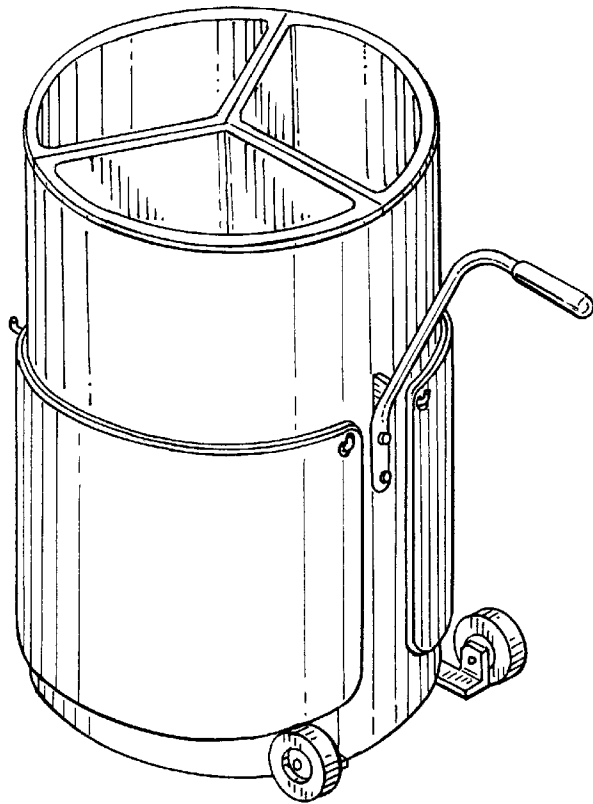


FIG. 2

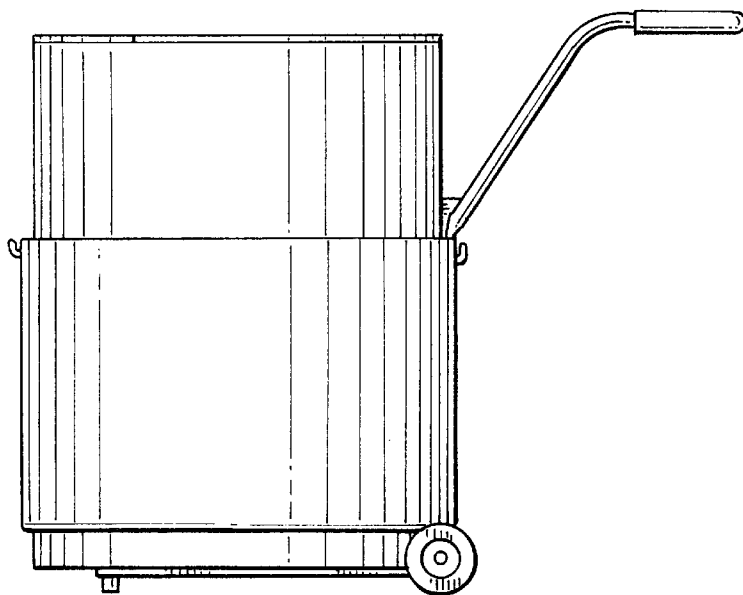


FIG. 3

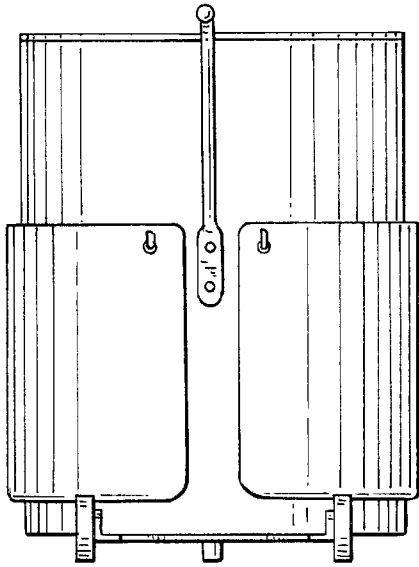


FIG. 4

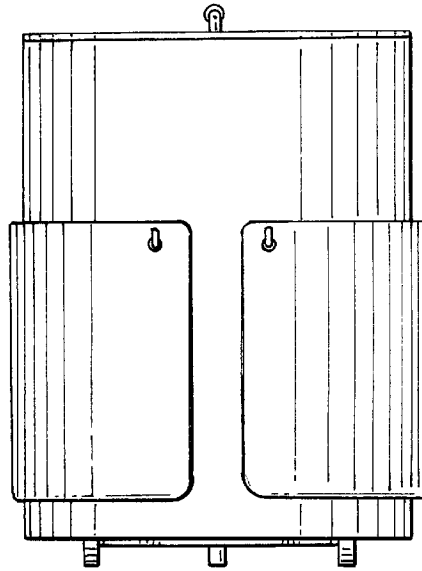


FIG. 5

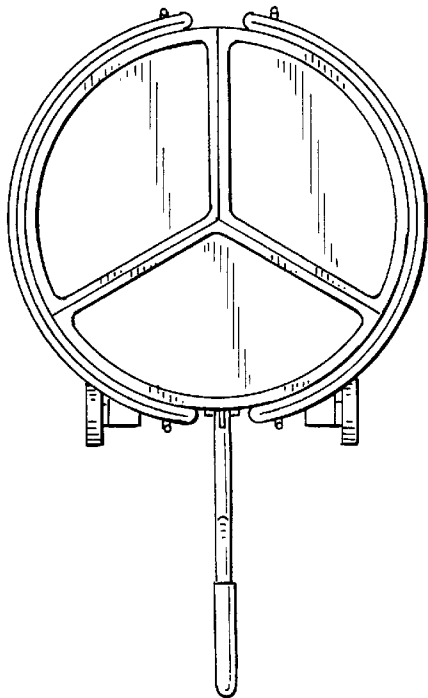


FIG. 6

