



(86) Date de dépôt PCT/PCT Filing Date: 2010/12/22
 (87) Date publication PCT/PCT Publication Date: 2011/06/30
 (85) Entrée phase nationale/National Entry: 2012/04/25
 (86) N° demande PCT/PCT Application No.: US 2010/060874
 (87) N° publication PCT/PCT Publication No.: 2011/079028
 (30) Priorités/Priorities: 2009/12/23 (US PCT/US2009/069402);
 2009/12/23 (US PCT/US2009/069408);
 2010/11/05 (US61/410,514); 2010/12/15 (US61/423,435);
 2010/12/15 (US61/423,449); 2010/12/15 (US61/423,397);
 2010/12/15 (US61/423,414)

(51) Cl.Int./Int.Cl. *A46B 11/00* (2006.01)
 (71) Demandeur/Applicant:
 COLGATE-PALMOLIVE COMPANY, US
 (72) Inventeurs/Inventors:
 JIMENEZ, EDUARDO, US;
 SORRENTINO, ALAN, US;
 KENNEDY, SHARON, US;
 GATZEMEYER, JOHN, US;
 MOSKOVICH, ROBERT, US;
 ROONEY, MICHAEL, US;
 FATTORI, JOSEPH, US
 (74) Agent: SMART & BIGGAR

(54) Titre : SYSTEME DE SOINS BUCCO-DENTAIRES
 (54) Title: ORAL CARE SYSTEM

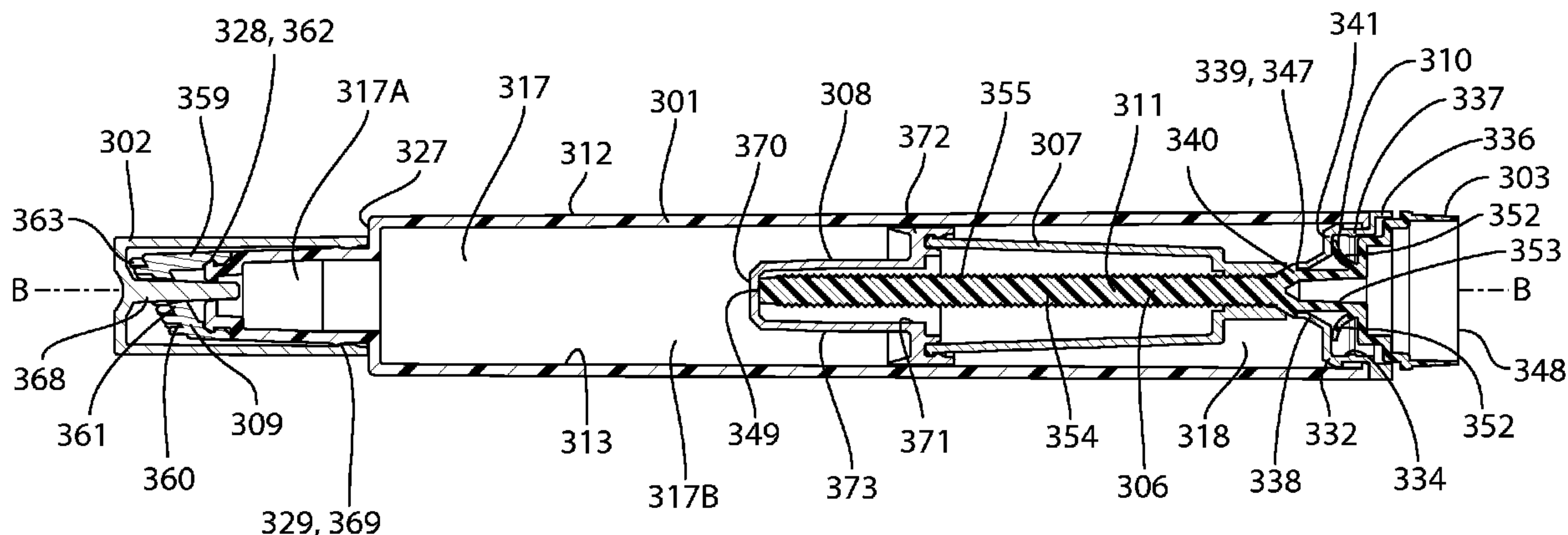


FIG. 6

(57) **Abrégé/Abstract:**

An oral care system, such as a toothbrush having a detachable dispenser containing an oral care material. In one embodiment, the dispenser may include a housing; an internal reservoir for containing a fluid and a dispensing orifice for dispensing the fluid; a first cam surface, the first cam surface being non-rotatable with respect to the housing; a reciprocator comprising an actuator, a drive screw, and a second cam surface, the reciprocator being rotatable with respect to the housing; an elevator forming a transverse end wall of the reservoir, the elevator being non-rotatable with respect to the housing and threadably coupled to the drive screw; wherein rotation of the actuator causes the elevator to (1) axially advance, and (2) axially reciprocate.



(12) INTERNATIONAL APPLICATION PUBLISHED UNDER THE PATENT COOPERATION TREATY (PCT)

(19) World Intellectual Property Organization
International Bureau(43) International Publication Date
30 June 2011 (30.06.2011)(10) International Publication Number
WO 2011/079028 A3(51) International Patent Classification:
A46B 11/00 (2006.01)(21) International Application Number:
PCT/US2010/060874(22) International Filing Date:
22 December 2010 (22.12.2010)

(25) Filing Language: English

(26) Publication Language: English

(30) Priority Data:

PCT/US2009/069402	23 December 2009 (23.12.2009)	US
PCT/US2009/069408	23 December 2009 (23.12.2009)	US
61/410,514	5 November 2010 (05.11.2010)	US
61/423,449	15 December 2010 (15.12.2010)	US
61/423,435	15 December 2010 (15.12.2010)	US
61/423,414	15 December 2010 (15.12.2010)	US
61/423,397	15 December 2010 (15.12.2010)	US

(71) Applicant (for all designated States except US): **COLGATE-PALMOLIVE COMPANY** [US/US]; 300 Park Avenue, New York, New York 10022 (US).

(72) Inventors; and

(75) Inventors/Applicants (for US only): **JIMENEZ, Eduardo** [US/US]; 21 Manor Drive, Manalapan, New Jersey 07725 (US). **SORRENTINO, Alan** [US/US]; 17 Adams

Drive, Cranbury, New Jersey 08512 (US). **KENNEDY, Sharon** [US/US]; 4213 Holbrook Road, Randallstown, Maryland 21133 (US). **GATZEMEYER, John** [US/US]; 85 Rohill Road, Hillsborough, New Jersey 08844 (US). **MOSKOVICH, Robert** [US/US]; 20 Jensen Street, East Brunswick, New Jersey 08816 (US). **ROONEY, Michael** [US/US]; 63 Locust Avenue, Millburn, New Jersey 07041 (US). **FATTORI, Joseph** [US/US]; 10 Jacobs Meadow Road, East Sandwich, Massachusetts 20537 (US).

(74) Agent: **FERNANDEZ, Amy, M.**; Colgate-Palmolive Company, 909 River Road, P.O. Box 1342, Piscataway, New Jersey 08854 (US).

(81) Designated States (unless otherwise indicated, for every kind of national protection available): AE, AG, AL, AM, AO, AT, AU, AZ, BA, BB, BG, BH, BR, BW, BY, BZ, CA, CH, CL, CN, CO, CR, CU, CZ, DE, DK, DM, DO, DZ, EC, EE, EG, ES, FI, GB, GD, GE, GH, GM, GT, HN, HR, HU, ID, IL, IN, IS, JP, KE, KG, KM, KN, KP, KR, KZ, LA, LC, LK, LR, LS, LT, LU, LY, MA, MD, ME, MG, MK, MN, MW, MX, MY, MZ, NA, NG, NI, NO, NZ, OM, PE, PG, PH, PL, PT, RO, RS, RU, SC, SD, SE, SG, SK, SL, SM, ST, SV, SY, TH, TJ, TM, TN, TR, TT, TZ, UA, UG, US, UZ, VC, VN, ZA, ZM, ZW.

(84) Designated States (unless otherwise indicated, for every kind of regional protection available): ARIPO (BW, GH, GM, KE, LR, LS, MW, MZ, NA, SD, SL, SZ, TZ, UG, ZM, ZW), Eurasian (AM, AZ, BY, KG, KZ, MD, RU, TJ,

[Continued on next page]

(54) Title: ORAL CARE SYSTEM

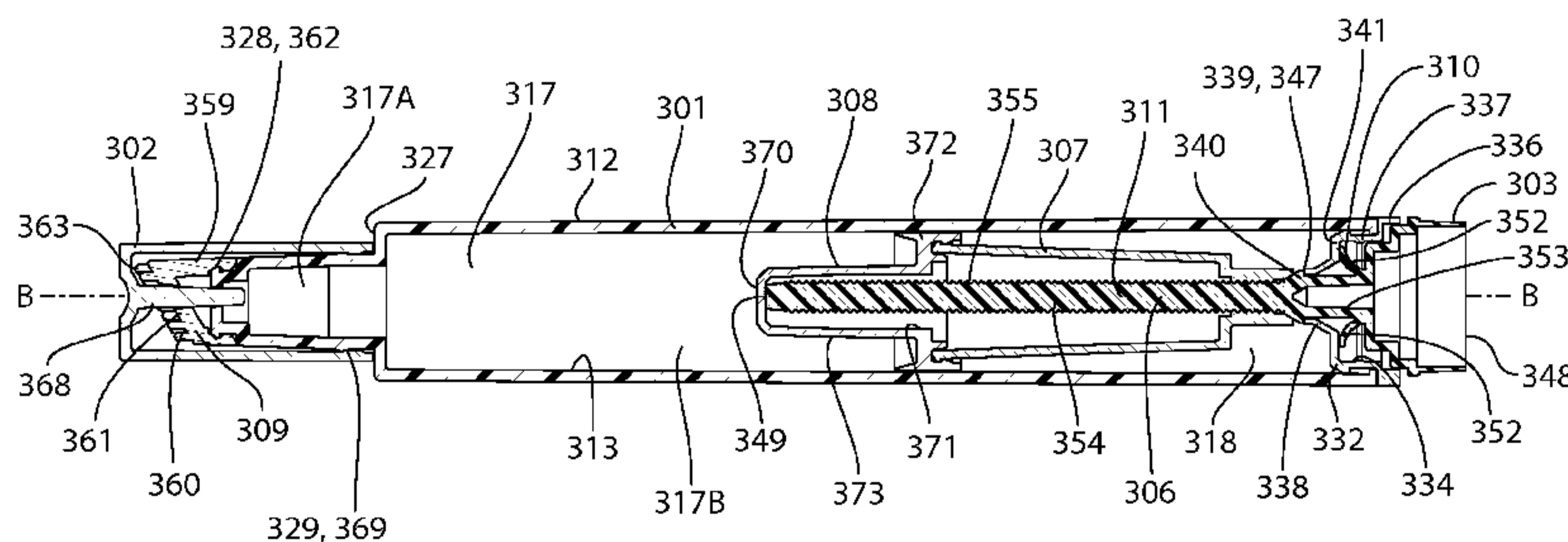


FIG. 6

(57) Abstract: An oral care system, such as a toothbrush having a detachable dispenser containing an oral care material. The dispenser includes a housing; an internal reservoir for containing a fluid and a dispensing orifice for dispensing the fluid; a first cam surface, the first cam surface being non-rotatable with respect to the housing; a reciprocator comprising an actuator, a drive screw, and a second cam surface, the reciprocator being rotatable with respect to the housing; an elevator forming a transverse end wall of the reservoir, the elevator being non-rotatable with respect to the housing and threadably coupled to the drive screw; wherein rotation of the actuator causes the elevator to (1) axially advance, and (2) axially reciprocate.

WO 2011/079028 A3 

TM), European (AL, AT, BE, BG, CH, CY, CZ, DE, DK, EE, ES, FI, FR, GB, GR, HR, HU, IE, IS, IT, LT, LU, LV, MC, MK, MT, NL, NO, PL, PT, RO, RS, SE, SI, SK, SM, TR), OAPI (BF, BJ, CF, CG, CI, CM, GA, GN, GQ, GW, ML, MR, NE, SN, TD, TG).

Published:

— *with international search report (Art. 21(3))*

(88) Date of publication of the international search report:

19 April 2012

WO 2011/079028

PCT/US2010/060874

Attorney Docket No. 9175-00-WO-TB

ORAL CARE SYSTEM

CROSS-REFERENCE TO RELATED APPLICATIONS

[0001] This application claims priority to International Application No. PCT/US2009/069408 filed on December 23, 2009; International Application No. PCT/US2009/069402 filed on December 23, 2009; U.S. Provisional Application No. 61/410,514 filed on November 5, 2010; U.S. Provisional Application No. 61/423,397 filed on December 15, 2010; U.S. Provisional Application No. 61/423,414 filed on December 15, 2010; U.S. Provisional Application No. 61/423,435 filed on December 15, 2010; and U.S. Provisional Application No. 61/423,449 filed on December 15, 2010, all of which are incorporated herein by reference.

FIELD OF THE INVENTION

[0002] The present invention relates generally to oral care systems, kits and methods, and specifically to a system, kit and method including a toothbrush having an open cavity that retains a removable dispenser containing a fluid.

BACKGROUND OF THE INVENTION

[0003] Oral care products or agents are applied in different ways. For example, without limitation, a common technique used for tooth whitening products is to cast an impression of a person's teeth and provide a tray of the shape of this impression. A person then only needs to add a whitening composition to the tray and to apply the tray to his/her teeth. This is left in place for a period of time and then removed. After a few treatments the teeth gradually whiten. Another technique is to use a strip that has a whitening composition on one surface. This strip is applied to a person's teeth and left in place for about 30 minutes. After several applications the teeth are gradually whitened. Yet another technique is to apply a whitening composition to teeth using a small brush. This brush is repeatedly dipped back into the container during the application of the tooth whitening composition to one's teeth. After a few treatments the teeth gradually whiten.

[0004] A problem with existing brushing techniques is that saliva in the mouth contains the enzyme catalase. This enzyme will catalize the decomposition of peroxides. The

brush can pick up some catalase during the application of some of the whitening product to teeth and transport that catalase back to the bottle. This catalase now in the bottle can degrade the peroxide in the bottle. Another problem with this latter technique is that it does not adapt for use with anhydrous whitening compositions. Here the brush may transport moisture from saliva from the mouth back into the bottle. This will have a negative effect on the whitening composition by potentially decomposing the peroxide active ingredient. In addition, if a person washes the brush each time after use, moisture from the wet bristles can enter the bottle.

[0005] While tray-based systems are suitable, many people do not use them due to the fact that they tend to be uncomfortable and/or awkward. Moreover, in order to use a whitening tray, a user must keep the tray and the required components at hand. This not only requires extra storage space in already cramped bathroom cabinets but also requires that the user remember to use the whitening system. Furthermore, these tray-based systems are not conveniently portable for transport and/or travel.

[0006] In addition to difficulties in applying some oral care products, storage is sometimes cumbersome and inconvenient for the user. The oral care product must typically be stored separately from oral care tooth cleaning implements such as a toothbrush since the oral care product package and toothbrush heretofore are generally treated as separate and distinct parts of an oral care regimen.

[0007] Further difficulties arise in that dispensers used for dispensing fluid materials have a tendency to weep after use due to pressure exerted on the fluid in the reservoir from the elevator.

[0008] A more portable, compact and convenient way to store oral care products, and to dispense and apply those oral care products to oral surfaces is desired.

BRIEF SUMMARY OF THE INVENTION

[0009] Embodiments of the present invention provide an efficient, compact, and portable oral care system that combines an oral care implement such as a toothbrush with a fluid dispenser in a highly portable and convenient housing. Advantageously, such embodiments are especially suited for easy transport and/or travel.

[0010] Exemplary embodiments of the present invention are directed to a toothbrush that detachably retains a removable dispenser containing a fluid reservoir. In some exemplary

embodiments, the oral care system includes fluid such as fluidic oral care materials, either active or non-active agents, that may include without limitation, whitening, enamel protection, anti-sensitivity, fluoride, tartar protection, or other oral care materials. The dispenser can be detachably docked and stored at least partially within the handle of the toothbrush so that a portion of the dispenser protrudes from the toothbrush, or forms a proximal end of the toothbrush handle, to permit access to a user for easy removal and use of the dispenser. The dispenser can be completely removable from the toothbrush in certain embodiments so that the user can apply the fluid to his/her teeth with ease, and then reinsert the dispenser in the toothbrush for convenient storage. In certain embodiments, the dispenser may be a pen-like component. The toothbrush can removably and non-fixedly secure the dispenser within the handle so that the dispenser can be repetitively removed and reinserted therein. In some embodiments, the dispenser may be adapted to be user-refillable for repeated use.

[0011] In one embodiment, the invention can be an oral care system comprising: a toothbrush; and a dispenser detachably coupled to the toothbrush, the dispenser comprising: a housing having a longitudinal axis and an internal reservoir for containing a fluid; a dispensing orifice in the housing for dispensing the fluid from the reservoir; a collar within the housing, the collar comprising an axial passageway and a cam surface, the collar being non-rotatable with respect to the housing; a reciprocator comprising an actuator, a drive screw extending through the axial passageway of the collar, and a cam surface, the reciprocator being rotatable with respect to the housing; a resilient member that axially biases the cam surface of the reciprocator and the cam surface of the collar into mating contact; an elevator forming an end wall of the reservoir, the elevator being non-rotatable with respect to the housing and threadily coupled to the drive screw; and wherein rotation of the actuator causes the elevator to (1) axially advance along the drive screw in a first axial direction due to relative rotation between the drive screw and the elevator, and (2) axially reciprocate due to relative rotation between the cam surface of the collar and the cam surface of the reciprocator.

[0012] In another embodiment, the invention can be an oral care system comprising: a toothbrush; and a dispenser detachably coupled to the toothbrush, the dispenser comprising: a housing forming an internal cavity extending along a longitudinal axis; an

elevator disposed within the internal cavity that hermetically separates the internal cavity into a reservoir for containing a fluid and a chamber, the elevator comprising an outer surface forming an end wall of the reservoir and an inner surface forming an end wall of the chamber, the elevator being non-rotatable with respect to the housing; a dispensing orifice in the housing for dispensing the fluid from the reservoir; an actuator; a drive screw in the chamber and operably coupled to the actuator, the drive screw and the actuator being rotatable with respect to the housing, wherein the drive screw does not penetrate through the outer surface of the elevator into the reservoir; and an extension member having a first end coupled to the elevator and a second end threadily coupled to the drive screw, the extension member being non-rotatable with respect to the housing; and wherein rotation of the actuator causes the elevator to axially advance along the drive screw in a first axial direction due to relative rotation between the drive screw and the extension member.

[0013] In yet another embodiment, the invention can be an oral care system comprising: a toothbrush; and a dispenser detachably coupled to the toothbrush, the dispenser comprising: a housing having a longitudinal axis and an internal reservoir for containing a fluid; a dispensing orifice in the housing for dispensing the fluid from the reservoir; a first cam surface within the housing, the first cam surface being non-rotatable with respect to the housing; a reciprocator comprising an actuator, a drive screw, and a second cam surface, the reciprocator being rotatable with respect to the housing; a resilient member that axially biases the second cam surface and the cam surface of the collar into mating contact, wherein the mating contact between the first cam surface and the second cam surface prevents the reciprocator from being uncoupled from the housing; an elevator forming an end wall of the reservoir, the elevator being non-rotatable with respect to the housing and threadily coupled to the drive screw; wherein rotation of the actuator causes the elevator to (1) axially advance along the drive screw in a first axial direction due to relative rotation between the drive screw and the elevator, and (2) axially reciprocate due to relative rotation between the first cam surface and the second cam surface.

[0014] In still another embodiment, the invention can be an oral care system comprising: a toothbrush; and a dispenser detachably coupled to the toothbrush, the dispenser

comprising: a housing forming an internal cavity extending along a longitudinal axis; an elevator disposed within the internal cavity that hermetically separates the internal cavity into a reservoir for containing a fluid and a chamber, the elevator comprising an outer surface forming an end wall of the reservoir and an inner surface forming an end wall of the chamber, the elevator being non-rotatable with respect to the housing; a dispensing orifice in the housing for dispensing the fluid from the reservoir; an actuator; a drive screw in the chamber and operably coupled to the actuator, the drive screw and the actuator being rotatable with respect to the housing, wherein the drive screw does not penetrate through the outer surface of the elevator into the reservoir when the elevator is in a fully retracted position; and the elevator operably coupled to the drive screw so that rotation of the actuator causes the elevator to axially advance along the drive screw in a first axial direction due to relative rotation between the drive screw and the elevator.

[0015] In certain exemplary embodiments, any suitable fluid may be used with embodiments and methods described herein according to the present invention. Accordingly, the oral care treatment system may be any type of system including without limitation tooth whitening, enamel protection, anti-sensitivity, fluoride, tartar protection/control, and others. The invention is expressly not limited to any particular type of oral care system or oral care material, unless specifically claimed.

[0016] Further areas of applicability of the present invention will become apparent from the detailed description provided hereinafter. It should be understood that the detailed description and specific examples, while indicating the preferred embodiment of the invention, are intended for purposes of illustration only and are not intended to limit the scope of the invention.

BRIEF DESCRIPTION OF THE DRAWINGS

[0017] The features of the exemplified embodiments will be described with reference to the following drawings in which like elements are labeled similarly.

[0018] The present invention will become more fully understood from the detailed description and the accompanying drawings, wherein:

[0019] FIG. 1 is a front perspective view of an oral care system including a toothbrush and a fluid dispenser according to one embodiment of the present invention, wherein the dispenser is coupled to the toothbrush.

[0020] FIG. 2 is a front perspective view of the oral care system of FIG. 1 wherein the fluid dispenser is removed from the toothbrush.

[0021] FIG. 3 is a perspective view of the fluid dispenser of the oral care system of FIG. 1.

[0022] FIG. 4 is a top view of the fluid dispenser of FIG. 3.

[0023] FIG. 5 is a bottom view of the fluid dispenser of FIG. 3.

[0024] FIG. 6 is a longitudinal cross-sectional view of the dispenser of FIG. 3.

[0025] FIG. 7 is a longitudinal cross-sectional view of the extension member of the fluid dispenser of FIG. 3.

[0026] FIG. 8 is a longitudinal cross-sectional view of the elevator of the fluid dispenser of FIG. 3.

[0027] FIG. 9 is a perspective view of the housing of the fluid dispenser of FIG. 3.

[0028] FIG. 10 is a longitudinal cross-sectional view of the housing of the fluid dispenser of FIG. 3.

[0029] FIG. 11 is a perspective view of the collar of the fluid dispenser of FIG. 3.

[0030] FIG. 12 is a perspective view of the reciprocator of the fluid dispenser of FIG. 3.

[0031] FIG. 13 is a longitudinal cross-sectional view of the reciprocator of the fluid dispenser of FIG. 3.

[0032] FIG. 14 is a longitudinal cross-sectional view of the cap of the fluid dispenser of FIG. 3.

[0033] FIG. 15 is a longitudinal cross-sectional view of the applicator of the fluid dispenser of FIG. 3.

[0034] FIG. 16A is a close-up schematic of the cam surfaces of the fluid dispenser of FIG. 3 that cause reciprocation of the elevator, immediately following retraction.

[0035] FIG. 16B is a close-up schematic of the cam surfaces of the fluid dispenser of FIG. 16A, immediately prior to retraction.

[0036] FIG. 17 is a longitudinal cross-sectional view of a fluid dispenser according to a second embodiment of the present invention that can be incorporated into the oral care system of FIG. 1.

[0037] FIG. 18 is a perspective view of the reciprocator of the fluid dispenser of FIG. 17.

[0038] FIG. 19A is a perspective view of the collar of the fluid dispenser of FIG. 17.

[0039] FIG. 19B is a side view of the collar of the fluid dispenser of FIG. 17.

DETAILED DESCRIPTION OF THE INVENTION

[0040] The following description of the preferred embodiment(s) is merely exemplary in nature and is in no way intended to limit the invention, its application, or uses.

[0041] The description of illustrative embodiments according to principles of the present invention is intended to be read in connection with the accompanying drawings, which are to be considered part of the entire written description. In the description of embodiments of the invention disclosed herein, any reference to direction or orientation is merely intended for convenience of description and is not intended in any way to limit the scope of the present invention. Relative terms such as “lower,” “upper,” “horizontal,” “vertical,” “above,” “below,” “up,” “down,” “top” and “bottom” as well as derivative thereof (e.g., “horizontally,” “downwardly,” “upwardly,” etc.) should be construed to refer to the orientation as then described or as shown in the drawing under discussion. These relative terms are for convenience of description only and do not require that the apparatus be constructed or operated in a particular orientation unless explicitly indicated as such. Terms such as “attached,” “affixed,” “connected,” “coupled,” “interconnected,” and similar refer to a relationship wherein structures are secured or attached to one another either directly or indirectly through intervening structures, as well as both movable or rigid attachments or relationships, unless expressly described otherwise. Moreover, the features and benefits of the invention are illustrated by reference to the exemplified embodiments. Accordingly, the invention expressly should not be limited to such exemplary embodiments illustrating some possible non-limiting combination of features that may exist alone or in other combinations of features; the scope of the invention being defined by the claims appended hereto.

[0042] In the description of embodiments of the invention disclosed herein, any reference to direction or orientation is merely intended for convenience of description and is not intended in any way to limit the scope of the present invention. Moreover, the features and benefits of the invention are illustrated by reference to exemplified embodiments. Accordingly, the invention expressly should not be limited to such exemplified embodiments illustrating some possible but non-limiting combination of features that

may be provided alone or in other combinations of features; the scope of the invention being defined by the claims appended hereto.

[0043] Exemplary embodiments of the present invention will now be described with respect to one possible oral care or treatment system. Embodiments of the oral care system may include without limitation the following fluids such as fluidic oral care materials including: tooth whitening, antibacterial, enamel protection, anti-sensitivity, anti-inflammatory, anti-attachment, fluoride, tartar control/protection, flavorant, sensate, colorant and others. However, other embodiments of the present invention may be used to store and dispense any suitable type of fluid and the invention is expressly not limited to any particular oral care system or fluidic oral care material alone.

[0044] Referring to FIGS. 1-2, an oral care system **100** is illustrated according to one embodiment of the present invention. The oral care system **100** is a compact readily portable self-contained user-friendly system that comprises all of the necessary components and chemistries necessary for a user to perform a desired oral care treatment routine. As will be described in greater detail below, the oral care system **100** in one exemplary embodiment generally takes the form of a modified toothbrush having a removable dispenser **300** disposed at least partially within its handle. Because the dispenser **300** is located within the handle of the toothbrush itself, the oral care system **100** is portable for travel, easy to use, and reduces the amount of required storage space. Furthermore, since the toothbrush **200** and dispenser **300** are housed together, the user is less likely to misplace the dispenser **300** and be more inclined to maintain the oral treatment routine with the dispenser **300** since brushing will remind the user to simply detach and apply the contents of the dispenser **300**.

[0045] The oral care system **100** generally comprises a toothbrush body **200** (hereinafter referred to simply as a toothbrush) and a dispenser **300**. While the invention is described herein with respect to the use of a toothbrush as one of the two primary components of the oral care system **100**, it is to be understood that other alternate oral care implements can be used within the scope of the invention, including tongue cleaners, tooth polishers and specially designed ansate implements having tooth engaging elements. In certain instances, the toothbrush **200** may include tooth engaging elements that are specifically designed to increase the effect of the active agent in the dispenser on the teeth. For

example, the tooth engaging elements may include elastomeric wiping elements that assist in removing stains from teeth and/or assist with forcing the oral care agent into the tubules of the teeth. Moreover, while the toothbrush **200** is exemplified as a manual toothbrush, the toothbrush may be a powered toothbrush in other embodiments of the invention. It is to be understood that the inventive system can be utilized for a variety of intended oral care needs by filling the dispenser **300** with any fluid, such as a fluidic oral care material including an oral care agent that achieves a desired oral effect. In one embodiment, the fluid, is free of (i.e., is not) toothpaste as the dispenser **300** is intended to augment not supplant the brushing regimen. The fluid can be selected to complement a toothpaste formula, such as by coordinating flavors, colors, aesthetics, or active ingredients.

[0046] The toothbrush **200** generally comprises a handle portion **210**, a neck portion **220** and a head portion **230**. The handle **210** provides the user with a mechanism by which he/she can readily grip and manipulate the toothbrush **200**. The handle **210** may be formed of many different shapes, sizes, materials and a variety of manufacturing methods that are well-known to those skilled in the art, so long as it can house the dispenser **300** therein as described in detail below. If desired, the handle **210** may include a suitable textured grip **211** made of soft elastomeric material. The handle **210** can be a single or multi-part construction. The handle **210** extends from a proximal end **212** to a distal end **213** along a longitudinal axis **A-A**. A cavity (not visible) is formed within the handle **210**. An opening **215** is provided at the proximal end **212** of the handle **210** that provides a passageway into the cavity through which the dispenser **300** can be inserted and retracted. While the opening **215** is located at the proximal end **212** of the handle in the exemplified embodiment, the opening **215** may be located at other positions on the handle **210** in other embodiments of the invention. For example, the opening **215** may be located on a longitudinal surface of the handle **210** (e.g., the front surface, the rear surface and/or the side surfaces) and be elongated to provide sufficient access to the cavity.

[0047] The handle **210** transitions into the neck **220** at the distal end **213**. While the neck **220** generally has a smaller transverse cross-sectional area than the handle **220**, the invention is not so limited. Broadly speaking, the neck **220** is merely the transition

region between the handle **210** and the head **230** and can conceptually be considered as a portion of the handle **210**. In this manner, the head **230** is connected to the distal end **213** of the handle **210** (via the neck **220**).

[0048] The head **230** and the handle **210** of the toothbrush **200** are formed as a single unitary structure using a molding, milling, machining or other suitable process. However, in other embodiments, the handle **210** and head **230** may be formed as separate components which are operably connected at a later stage of the manufacturing process by any suitable technique known in the art, including without limitation thermal or ultrasonic welding, a tight-fit assembly, a coupling sleeve, threaded engagement, adhesion, or fasteners. Whether the head **230** and handle **210** are of a unitary or multi-piece construction (including connection techniques) is not limiting of the present invention, unless specifically stated. In some embodiment of the invention, the head **230** may be detachable (and replaceable) from the handle **210** using techniques known in the art.

[0049] The head **230** generally comprises a front surface **231**, a rear surface **232** and a peripheral side surface **233** that extends between the front and rear surfaces **231**, **232**. The front surface **231** and the rear surface **232** of the head **230** can take on a wide variety of shapes and contours, none of which are limiting of the present invention. For example, the front and rear surfaces **231**, **232** can be planar, contoured or combinations thereof. Moreover, if desired, the rear surface **232** may also comprise additional structures for oral cleaning or tooth engagement, such as a soft tissue cleaner or a tooth polishing structure. An example of a soft tissue cleaner is an elastomeric pad comprising a plurality of nubs and or ridges. An example of a tooth polishing structure can be an elastomeric element, such as a prophylactic cup(s) or elastomeric wipers. Furthermore, while the head **230** is normally widened relative to the neck **220** of the handle **210**, it could in some constructions simply be a continuous extension or narrowing of the handle **210**.

[0050] The front surface **231** of the head **230** comprises a collection of oral cleaning elements such as tooth engaging elements **235** extending therefrom for cleaning and/or polishing contact with an oral surface and/or interdental spaces. While the collection of tooth engaging elements **235** is suited for brushing teeth, the collection of cleaning elements **235** can also be used to polish teeth instead of or in addition to cleaning teeth.

As used herein, the term "tooth engaging elements" is used in a generic sense to refer to any structure that can be used to clean, polish or wipe the teeth and/or soft oral tissue (e.g. tongue, cheek, gums, etc.) through relative surface contact. Common examples of "tooth engaging elements" include, without limitation, bristle tufts, filament bristles, fiber bristles, nylon bristles, spiral bristles, rubber bristles, elastomeric protrusions, flexible polymer protrusions, combinations thereof and/or structures containing such materials or combinations. Suitable elastomeric materials include any biocompatible resilient material suitable for uses in an oral hygiene apparatus. To provide optimum comfort as well as cleaning benefits, the elastomeric material of the tooth or soft tissue engaging elements has a hardness property in the range of A8 to A25 Shore hardness. One suitable elastomeric material is styrene-ethylene/butylene-styrene block copolymer (SEBS) manufactured by GLS Corporation. Nevertheless, SEBS material from other manufacturers or other materials within and outside the noted hardness range could be used.

[0051] The tooth engaging elements **235** of the present invention can be connected to the head **230** in any manner known in the art. For example, staples/anchors, in-mold tufting (IMT) or anchor free tufting (AFT) could be used to mount the cleaning elements/tooth engaging elements. In AFT, a plate or membrane is secured to the brush head such as by ultrasonic welding. The bristles extend through the plate or membrane. The free ends of the bristles on one side of the plate or membrane perform the cleaning function. The ends of the bristles on the other side of the plate or membrane are melted together by heat to be anchored in place. Any suitable form of cleaning elements may be used in the broad practice of this invention. Alternatively, the bristles could be mounted to tuft blocks or sections by extending through suitable openings in the tuft blocks so that the base of the bristles is mounted within or below the tuft block.

[0052] The toothbrush **200** and the dispenser **300** are non-unitary separate structures that are specially designed to be non-fixedly secured together when in an assembled state (referred to herein as a storage state) and completely isolated and separated from one another when in a disassembled state (referred to herein as an application state). The toothbrush **200** and the dispenser **300** are illustrated in the storage state in FIG. 1 and in the application state in FIG. 2. The dispenser **300** can be slidably manipulated and

moved between the storage state (FIG. 1) in which the dispenser **300** is docked in the toothbrush handle portion **210** and the application state (FIG. 2) in which the dispenser **300** is removed from the handle portion **210** by the user as desired. The dispenser **300** will now be described in greater detail.

[0053] Referring now to FIGS. 3-5 concurrently, the dispenser **300** is schematically illustrated. The dispenser **300** is an elongated tubular pen-like structure that extends along longitudinal axis **B-B**. The dispenser **300** generally comprises a housing **301**, a removable cap **302** coupled to one end of the housing **301**, and an actuator **303** extending from an opposite end of the housing **301**. The dispenser **300** is designed so as to be capable of being operated to dispense the fluid stored therein using a single hand. Specifically, the dispenser is positioned in a user's hand so that the actuator **303** is lodged in the palm of the user's hand. The user then uses the fingers of that same hand to rotate the housing **301** (while keeping the actuator **303** stationary relative to the housing **301**). As a result, the fluid container therein is dispensed from the dispenser **300**. The dispensing mechanism will be described in greater detail below.

[0054] The housing **301** has a non-circular transverse cross-sectional profile (shown in FIGS. 4-5). In the exemplified embodiment, the housing **301** has a generally triangular transverse cross-sectional profile having rounded corners. Of course, in other embodiments, the housing **301** can take on other non-circular shapes, or can be circular in certain alternative embodiments. For example, in the embodiment exemplified in FIGS. 17-19B, the housing **301C** of the dispenser **300C** has a generally circular transverse cross-sectional profile. However, by forming the housing **301** to have a non-circular transverse cross-sectional profile, rotation of the dispenser **300** when it is in the storage state within the handle portion **210** of the toothbrush **200** is prevented.

[0055] The actuator **303** protrudes axially from the housing **301** so that a user can easily grip and rotate the actuator **303**. A plurality of protuberances **305**, in the form of axial aligned and space-apart ridges, are formed on the outer surface **304** of the actuator **303** to further facilitate gripping and rotation. As discussed in greater detail below, the actuator **303** is part of a larger reciprocator component that is coupled to the housing **301**. However, in other embodiments, such as the one exemplified in FIGS. 17-19, the actuator **303C** may be formed as a separate component that is non-rotatably coupled to the

reciprocator **306C**. As is also discussed in greater detail below, the actuator **303** is rotatable with respect to the housing **301** and axially reciprocates along axis **B-B** during rotation. In the exemplified embodiment, the actuator **303** has a wheel having a substantially circular transverse cross-sectional profile. As can be seen in FIG. 5, the actuator **303** is sized and shaped so that its transverse cross-sectional profile fits within the transverse cross-sectional profile of the housing **301**.

[0056] The cap **302** has a transverse cross-sectional profile that corresponds in shape to the transverse cross-sectional profile of the housing **301**, and is also non-circular to facilitate gripping and/or twisting to remove the cap from the housing so that the fluid can be dispensed from the internal reservoir of the dispenser **300**.

[0057] Referring now to FIG. 6, the components of the dispenser **300** will be described in greater detail. The dispenser **300** generally comprises a housing **301**, a cap **302**, a reciprocator **306**, an extension member **307**, an elevator **308**, a collar **332** and an applicator **309**. The reciprocator **306** comprises the actuator **303**, a resilient member **310** and a drive screw **311**. In the exemplified embodiment, the actuator **303**, the resilient member **310** and the drive screw **311** are integrally formed to form the reciprocator **306** as a unitary structure. However, in certain embodiments, the actuator **303**, the resilient member **310** and the drive screw **311** may be formed as separate components that are subsequently coupled together and/or properly positioned within the dispenser **300** in a cooperative manner as described below. Furthermore, in certain embodiments, the resilient member **310** can conceptually and/or physically be a separate component from the reciprocator **306**.

[0058] Referring now to FIGS. 6 and 9-10 concurrently, the housing **301** will be described in greater detail. The housing **301** is constructed of a material that is sufficiently rigid to provide the necessary structural integrity for the dispenser **300**. For example, the housing **301** can be formed of a moldable hard plastic. Suitable hard plastics include polymers and copolymers of ethylene, propylene, butadiene, vinyl compounds and polyesters such as polyethylene terephthalate. The chosen plastic(s), however, should be compatible with the oral care material that is to be stored within the dispenser **300** and should not be corroded or degraded by the oral care fluid.

[0059] While the housing **301** is exemplified as a single layer construction, in certain embodiments, the housing may be a multilayer construction. In certain multi-layer embodiments, an inner layer can be formed from the hard plastic materials described immediately above while an outer layer can be formed of a soft resilient material, such as an elastomeric material. Suitable elastomeric materials include thermoplastic elastomers (TPE) or other similar materials used in oral care products. The elastomeric material of the outer layer may have a hardness durometer measurement ranging between A13 to A50 Shore hardness, although materials outside this range may be used. A suitable range of the hardness durometer rating is between A25 to A40 Shore hardness. While an over-molding construction is one suitable method of forming the outer layer, a suitable deformable thermoplastic material, such as TPE, may be formed in a thin layer and attached to inner layer with an appropriate adhesive, sonic welding, or by other means.

[0060] The housing **301** is an elongated hollow tubular structure extending along the longitudinal axis **B-B** from a proximal end **315** to a distal end **316**. As discussed above, the housing **301** has a non-circular transverse cross-sectional profile. In the exemplified embodiment, the housing **301** is formed by three longitudinal side walls **321-323**, thereby giving the housing a tri-lobe transverse cross-sectional profile. Of course, the invention is not so limited and the housing **301** can take on a wide variety of transverse cross-sectional profiles, whether circular or non-circular as desired.

[0061] The housing **301** comprises an outer surface **312** and an inner surface **313** that forms an elongated internal cavity **314**. As discussed in greater detail below, when the dispenser **300** is fully assembled, the internal cavity **314** of the housing **301** is divided into a reservoir **317** and a chamber **318** by the elevator **308**. A dispensing orifice **319** is provided in the distal end **316** of the housing **301** through which fluid stored in the reservoir **317** is dispensed from the dispenser **300**. In the exemplified embodiment, the dispensing orifice **319** is located in a transverse end wall **320** as the distal end **316** of the housing **301**. The dispensing orifice **319** is positioned in the transverse end wall **320** so that a center-point of the dispensing orifice **319** is coincident with the longitudinal axis **B-B**. Moreover, in certain other embodiment, the dispensing orifice **319** can be located in other areas of the housing **301**, such as on one of the longitudinal side walls **321-323**.

[0062] The housing **301** comprises a first longitudinal section **325** and a second longitudinal section **326**. The second longitudinal section **326** has a reduced transverse cross-section in comparison to the first longitudinal section **325**. The second longitudinal section **326** extends axially from an annular transverse shoulder **327** of the housing **301**. The reservoir **317** occupies both a distal section of the first longitudinal section **325** and the second longitudinal section **326**. The chamber **318**, on the other hand, occupies only a proximal section of the first longitudinal section **325**. As a result of the reservoir **317** occupying both a distal section of the first longitudinal section **325** and the second longitudinal section **326**, the reservoir **317** comprises a section **317A** located within the second longitudinal section **326** that has a reduced transverse cross-section in comparison to the section **317B** of the reservoir **317** located within the distal section of the first longitudinal section **325**.

[0063] The second longitudinal section **326** of the housing **301** comprises a depression **328** near the distal end **316** for facilitating coupling of the applicator **309** to the housing **301**. In the exemplified embodiment, the depression **328** is in the form of annular groove. Of course, the depression **328** can take on wide variety of embodiments, including dimples, notches, etc. A protuberance **329** is also provided on the second longitudinal section **326** of the housing **301** for facilitating coupling of the removable cap **302** to the housing **301**. In the exemplified embodiment, the protuberance **329** is in the form of an annular ridge. Of course, the protuberance **329** can take on wide variety of embodiments, including tangs, prongs, bumps, ridges, etc. The protuberance **329** is located on the second longitudinal section **326** at a location closer to the shoulder **327** than the annular groove **328**.

[0064] A plurality of circumferentially spaced-apart grooves **330** are formed in the inner surface **313** of the housing **301**. The grooves **330** are located within the chamber **318** of the internal cavity **314** and extend axially from the proximal end **315**. The grooves **330** are provided to receive corresponding ridges and/or protuberances provided on the outer surface of the collar **332** to prevent relative rotation between the collar **332** and the housing **301** when the collar **332** is assembled to the housing **301**. The mating between the ridges/protuberances of the collar **332** and the grooves **330** of the housing **301** can be important in embodiments of the dispenser **300** in which the internal cavity **314** has a

circular transverse cross-sectional shape. However, in embodiments where the internal cavity **314** has a non-circular shape, relative rotation between the housing **301** and the collar **332** is prevented due simply to the non-circular transverse cross-sectional geometry.

[0065] A plurality of flanges **331** are provided on the inner surface **313** of the housing **301** that extend radially inward toward the longitudinal axis **B-B**. The flanges **331** are located at the proximal end **315** of the housing **301** and are arranged in a circumferentially spaced-apart manner. In certain embodiments, a single continuous annular flange, or other protuberant structures, can be provided instead of the plurality of flanges **331**. The flanges **331** help retain the collar **332** in coupling with the housing **301** after the dispenser **300** is assembled, thereby assisting in preventing the collar **332** from being separated from the housing **301** due to an axially applied force and/or movement.

[0066] Referring now to FIGS. 6 and 14-15, the details of the applicator **309** and the removable cap **302** will be described, along with their structural cooperation with the housing **301**. The applicator **309**, in the exemplified embodiment, is formed of a soft resilient material, such as an elastomeric material. Suitable elastomeric materials include thermoplastic elastomers (TPE) or other similar materials used in oral care products. The elastomeric material of the outer layer may have a hardness durometer measurement ranging between A13 to A50 Shore hardness, although materials outside this range may be used. A suitable range of the hardness durometer rating is between A25 to A40 Shore hardness.

[0067] In alternative embodiments, the applicator **309** may be constructed of bristles, a porous or sponge material, or a fibrillated material. Suitable bristles include any common bristle material such as nylon or PBT. The sponge-like materials can be of any common foam material such as urethane foams. The fibrillated surfaces can be comprised of various thermoplastics. The invention, however, is not so limited and the applicator **309** can be any type of surface and/or configuration that can apply a viscous substance onto the hard surface of teeth, including merely an uncovered opening/orifice.

[0068] The exemplary applicator **309** comprises a tubular sidewall **359** and a transverse end wall **360**. An aperture **361** is provided in the end wall **360** through which fluid from the reservoir **317** can be dispensed. A protuberance **362**, in the form of an annular ridge,

is formed on an inner surface of the sidewall **359**. A plurality of protuberances **363**, in the form of nubs, extend from the outer surface of the end wall **360**.

[0069] When the applicator **309** is coupled to the second longitudinal section **326** of the housing **301**, the protuberance **362** of the applicator **309** nests within the depression **328** of the housing **301**. Furthermore, the aperture **361** of the applicator **309** is aligned with the dispensing orifice **319** of the housing **301**.

[0070] Similar to the housing, the applicator **309** has a non-circular transverse cross-sectional profile in the exemplary embodiment. More specifically, the applicator **309** has a tri-lobe transverse cross-sectional profile. Of course, the invention is not so limited and the housing can take on a wide variety of transverse cross-sectional profiles, whether circular or non-circular as desired.

[0071] The removable cap **302** comprises a tubular sidewall **364** and a transverse end wall **365**. The removable cap **302** has a closed top end **366** and open bottom end **367**. An axial plug **368** extends axially from a bottom surface of the end wall **365**. A protuberance **394**, in the form of an annular ridge, protrudes from an inner surface of the sidewall **364**. The removable cap **302** couples to the housing **301** by being slid over the second longitudinal section **326** of the housing **301**. Mating between the protuberance **394** of the removable cap **302** and the protuberance **329** of the housing **301** secures the removable cap **302** to the housing **301**. The axial plug **368** extends into through and seals the aperture **361** of the applicator **309** and the dispensing orifice **319** of the housing **301**, thereby preventing leaking and/or drying out of the fluid in the reservoir **317**.

[0072] Referring now to FIGS. 6 and 11 concurrently, the collar **332** will be described in greater detail. The collar **332** is constructed of a material that is sufficiently rigid to provide the necessary structural integrity to perform the functions discussed below. In one embodiment, the collar **332** can be formed of a moldable hard plastic. Suitable hard plastics include polymers and copolymers of ethylene, propylene, butadiene, vinyl compounds and polyesters such as polyethylene terephthalate.

[0073] In the exemplified embodiment, the collar **332** is an annular ring-like structure comprising an outer surface **333** and an inner surface **334**. The inner surface **334** forms an axial passageway **335** that extends through the entirety of the collar **332**. The axial passageway **335** extends along the longitudinal axis **B-B** so that the drive screw **311** of

the reciprocator **306** can be extended therethrough. The collar **332** comprises a flange portion **336**, a plug portion **337** and a neck portion **338**. The neck portion **338** extends from a shoulder **341** of the collar **332** disposed between the neck portion **338** and the plug portion **337**. A depression **342**, in the form of an annular groove, is provided in the outer surface **333** of the plug portion **337** of the collar **332**.

[0074] When the dispenser **300** is assembled, the collar **332** is coupled to the housing **301** as illustrated in FIG. 6. When the dispenser **300** is assembled, the plug portion **337** and the neck portion **338** of the collar **332** are disposed within the internal cavity **314** (specifically chamber **318**) of the housing **301**. The flange portion **336** abuts the proximal end **315** of the housing **301**, thereby preventing over-insertion of the collar **332** into the internal cavity **314**. The flanges **331** of the housing **301** project into the depression **342** of the plug portion **337**, thereby mating together to prevent the collar **332** from being withdrawn axially from the housing **301**. The coupling of the collar **332** to the housing **301** is further effectuated by assuring that the tolerances are selected so that an additional interference fit is effectuated between the outer surface **333** of the collar **332** and the inner surface **313** of the housing. When coupled to the housing **301**, the collar **332** is non-rotatable with respect to the housing **301**. Of course, other cooperative structures and connection techniques can be used to couple the collar **332** to the housing **301** so that relative rotation between the two is prohibited.

[0075] In the exemplified embodiment, the neck portion **338** is formed by a plurality of arcuate segments **239** that protrude axially from the plug portion **337** and circumferentially surround the axial passageway **335** (and the drive screw **311** when the dispenser **300** is assembled). Adjacent arcuate segments **239** are separated by a gap **440**. The neck portion **338** is formed by segments **239** to provide radial flexibility to the neck portion **338** so that a base portion **340** of the drive screw **311** can pass through the neck portion **338** during assembly. During assembly, as the base portion **340** of the drive screw **311** passes through the neck portion **338**, the segments **239** flex radially outward, thereby allowing the base portion **340** to pass therethrough. However, once the base portion **340** of the drive screw **311** has fully passed through the neck portion **338**, the segments **239** snap radially inward, returning to their initial position and preventing the reciprocator **306** from being separated from the collar **332**. In other embodiments, the

neck portion **338** can be constructed as a continuous structure rather than a plurality of segments **239** if desired.

[0076] The neck portion **338** of the collar **332** further comprises an upper cam surface **339** comprising a plurality of axially extending cams **343**. In the exemplified embodiment, the cams **343** are saw-toothed protuberances having inclined surfaces **344** that terminate at an apex **345** (FIG. 16B). Of course, the cams **343** can take on a variety of different shapes, such as contoured, etc. The upper cam surface **339** is an undulating transverse surface in the exemplified embodiment. A depression/notch **346** is located between adjacent cams **343**. As discussed in greater detail below, the upper cam surface **339**, in conjunction with the lower cam surface **347** of the reciprocator **306**, causes the elevator **308** to axially reciprocate when relative rotational motion is created between the cam surfaces **339**, **347**.

[0077] While the collar **332** is a separate component than the housing **301** in the exemplified embodiment of the dispenser **300**, in other embodiment the collar **332** can be integrally formed as a part of the housing **301**. In such an embodiment, the housing **301** itself would comprise the upper cam surface **339**.

[0078] Referring now to FIGS. 6 and 12-13 concurrently, the reciprocator **306** will be explained in greater detail. As mentioned above, the reciprocator **306** generally comprises the actuator **303**, the resilient member **310** and the drive screw **311** and, in certain embodiments, is a unitary integrally formed structure. The reciprocator **306** is constructed of a material that is sufficiently rigid to provide the necessary structural integrity to perform the functions discussed below. In one embodiment, the reciprocator **306** can be formed of a moldable hard plastic. Suitable hard plastics include polymers and copolymers of ethylene, propylene, butadiene, vinyl compounds and polyesters such as polyethylene terephthalate.

[0079] The reciprocator **306** extends from a proximal end **348** to a distal end **349** along the longitudinal axis **B-B**. As mentioned above, the reciprocator **306** comprises the actuator **303** which is located at the proximal end **349** of the reciprocator **306**. The actuator **303** comprises a dial portion **350** and a plug portion **351**. The dial portion **350** comprises the ridges/ribs **305** and provides the gripping section of the actuator **303** by which the user can rotate the reciprocator **306** with respect to the housing **301**. When the

dispenser **300** is assembled the dial portion **350** of the actuator **303** protrudes axially beyond the proximal end **315** of the housing **301** while the plug portion **351** of the actuator **303** nests within the collar **332**.

[0080] The resilient member **310** is located axially between the actuator **303** and the drive screw **311**. In the exemplified embodiment, the resilient member **310** is of the leaf-spring type. More specifically, in the exemplified embodiment, the resilient member **310** is formed by a plurality of curved prongs **352** extending axially from the plug portion **351** along a cylindrical portion **353** of the drive screw **311** and in a manner that diverges from the longitudinal axis **B-B**. In other embodiments, the resilient member may take on other forms and/or be may be a separable component from the reciprocator **306**. For example, in certain embodiments, the reciprocator **306** could be, without limitation, a helical spring, a separable leaf spring, an elastomeric pad, and/or combinations thereof. The function of the resilient member **310** will be described in greater detail below.

[0081] The drive screw **311** extends axially from the plug portion **351** of the actuator **303** along the longitudinal axis **B-B**. The drive screw **311** comprises a cylindrical portion **353**, a flanged base portion **340** and a threaded portion **354**. The cylindrical portion **353** extends axially from the plug portion **351** of the actuator **303** to the flanged base portion **340** and has a smooth outer surface. The threaded portion **354** extends axially from the flanged base portion **340** to the distal end **349** of the reciprocator **306** and comprises a helical ridge **355** extending from the outer surface. The pitch of the helical ridge **355** is selected so that the elevator **308** axially advances toward the dispensing orifice **319** a desired distance upon the drive screw **311** being rotated a predetermined rotational angle, thereby dispensing a pre-selected volume of the fluid from the reservoir **317**.

[0082] The flanged base portion **340** of the drive screw **311** flares radially outward from the longitudinal axis **B-B** terminating in lower cam surface **347**. In certain other embodiments, such as the one shown in FIGS. 17-19B, the flanged base portion **340C** of the drive screw **311C** does not flare radially outward from the longitudinal axis **B-B**, but rather extends radially outward from the longitudinal axis **B-B** in a more stepped manner. Furthermore, as exemplified in the embodiment of FIGS. 17-19B, the drive screw **311C** may further comprises a stopper plate **390C** located on the opposite of the flanged base portion **340C** than the threaded portion **354C**. The stopper plate **390C** extends radially

outward from the longitudinal axis **B-B** and will abut the shoulder portion **341C** of the collar **332C** to prevent over-insertion of the reciprocator **306C** into the collar **332C**. Such over-insertion of the reciprocator **306C** into the collar **332C** could damage the resilient member **310C** due to over-flexion.

[0083] The lower cam surface **347** comprises a plurality of cams **356** extending axially from the lower cam surface **347**. In the exemplified embodiment, the cams **356** are saw-toothed protuberances having inclined surfaces **357** that terminate at an apex **358** (FIG. 16B). Of course, the cams **356** can take on a variety different shapes, such as contoured, etc. The lower cam surface **347** is an undulating transverse surface in the exemplified embodiment. The lower cam surface **347** of the reciprocator **306** mates with the upper cam surface **339** when the dispenser **300** is assembled.

[0084] When the dispenser **300** is assembled, the reciprocator **306** is rotatable with respect to the housing **301**. The drive screw **311** of the reciprocator **306** extends through the axial passageway **335** of the collar **332** and into the chamber **318** of the internal cavity **314**. More specifically, the cylindrical portion **353** of the drive screw **311** extends through the neck portion **338** of the collar **332**. The flanged base portion **340** is located beyond the neck portion **338** of the collar **332** so that the upper cam surface **339** of the collar **332** is aligned and in contact with the lower cam surface **347** of the reciprocator **306**. The resilient member **310**, in the form of the prongs **352**, is compressed against the inner surface **334** of the shoulder portion **341** of the collar **332**, thereby biasing the lower cam surface **347** of the reciprocator **306** downward and into mating surface contact with the upper cam surface **339** of the collar **332**. However, the mating surface contact between the upper and lower cam surfaces **339**, **347** prevents the reciprocator **306** from being uncoupled from the housing **301**. In the exemplified embodiment, the resilient member **310** (in the form of the prongs **352**) exerts an axial force on the reciprocator **306** in a second axial direction along the longitudinal axis **B-B** (i.e., in a direction moving from the distal end **316** to the proximal end **315** of the housing **301**).

[0085] Referring now to FIGS. 6 and 7-8 concurrently, the elevator **308** and extension member **307** will be described in greater detail. The elevator **308** is disposed within the internal cavity **314** of the housing **301**, thereby dividing the internal cavity **314** into a reservoir **317** and a chamber **318**. The reservoir **317** contains the desired fluid or product,

which can be any active or inactive oral care agent. The oral care agent and/or its carrier may be in any form such as a solid or a flowable material including without limitation viscous pastes/gels or less viscous liquid compositions. The fluid is a flowable material having a low viscosity in certain embodiments. Any suitable fluid can be used in the present invention. For example, the fluid may include oral care agent such as whitening agents, including without limitation, peroxide containing tooth whitening compositions. Suitable peroxide containing tooth whitening compositions are disclosed in U.S. Patent Serial No. 11/403,372, filed April 13, 2006, to the present assignee, the entirety of which is hereby incorporated by reference. While a tooth whitening agent and a sensitivity agent are the exemplified active agents in the present invention, any other suitable oral care agents can be used with embodiments of the present invention and, thus, stored within the reservoir 317. Contemplated fluids include oral care agents that can be an active or non-active ingredient, including without limitation, antibacterial agents; oxidative or whitening agents; enamel strengthening or repair agents; tooth erosion preventing agents; anti-sensitivity ingredients; gum health actives; nutritional ingredients; tartar control or anti-stain ingredients; enzymes; sensate ingredients; flavors or flavor ingredients; breath freshening ingredients; oral malodor reducing agents; anti-attachment agents or sealants; diagnostic solutions; occluding agents; anti-inflammatory agents; dry mouth relief ingredients; catalysts to enhance the activity of any of these agents; colorants or aesthetic ingredients; and combinations thereof. The fluid in one embodiment is free of (i.e., is not) toothpaste. Instead, the fluid is intended to provide supplemental oral care benefits in addition to merely brushing one's teeth. Other suitable oral care fluids could include lip balm or other materials that are typically available in a semi-solid state.

[0086] In some embodiments, the materials useful in the oral care fluid contained in the reservoir may include oral care compositions comprising a basic amino acid in free or salt form. In one embodiment, the basic amino acid may be arginine. Various formulations would be useful to supply the arginine to the user. One such oral care composition, e.g., a dentifrice, may be used comprising:

- i. an effective amount of a basic amino acid, in free or salt form, e.g., arginine, e.g., present in an amount of at least about 1%, for example

- about 1 to about 30%; by weight of total formulation, weight calculated as free base;
- ii. an effective amount of fluoride, e.g., a soluble fluoride salt, e.g., sodium fluoride, stannous fluoride or sodium monofluorophosphate, providing from about 250 to about 25,000 ppm fluoride ions, e.g., about 1,000 to about 1,500 ppm; and
 - iii. an abrasive, e.g., silica, calcium carbonate or dicalcium phosphate.

[0087] The dental treatment materials of the present invention may have a viscosity suitable for use in tooth treatment applications and methods. As used herein, the “viscosity” shall refer to “dynamic viscosity” and is defined as the ratio of the shearing stress to the rate of deformation as measured by AR 1000-N Rheometer from TA Instruments, New Castle, Delaware.

[0088] When measured at a shear rate of 1 seconds⁻¹, the viscosity may have a range with the lower end of the range generally about 0.0025 poise, about 0.1 poise, and more specifically about 75 poise, with the upper end of the range being selected independently of the lower end of the range and generally about 10,000 poise, specifically about 5,000 poise, and more specifically about 1,000 poise. Non-limiting examples of suitable viscosity ranges when measured at a shear rate of 1 seconds⁻¹ includes, about 0.0025 poise to about 10,000 poise, about 0.1 poise to about 5,000 poise, about 75 poise to about 1000 poise, and about 0.1 poise to about 10,000 poise.

[0089] When measured at a shear rate of 100 seconds⁻¹, the viscosity will have a range with the lower end of the range generally about 0.0025 poise, specifically about 0.05 poise, and more specifically about 7.5 poise, with the upper end of the range being selected independently of the lower end of the range and generally about 1,000 poise, specifically about 100 poise, and more specifically about 75 poise. Non-limiting examples of suitable viscosity ranges when measured at a shear rate of 100 seconds⁻¹ includes, about 0.0025 poise to about 1,000 poise, about 0.05 poise to about 100 poise, about 7.5 poise to about 75 poise, and about 0.05 poise to about 1,000 poise.

[0090] When measured at a shear rate of 10,000 seconds⁻¹, the viscosity will have a range with the lower end of the range generally about 0.0025 poise, specifically about

0.05 poise, and more specifically about 5 poise, with the upper end of the range being selected independently of the lower end of the range and generally about 500 poise, specifically about 50 poise. Non-limiting examples of suitable viscosity ranges when measured at a shear rate of 10,000 seconds⁻¹ includes, about 0.0025 poise to about 500 poise, about 0.05 poise to about 50 poise, about 5 poise to about 50 poise, and about 0.05 poise to about 500 poise.

[0091] Each of the formulations contains a viscosity agent that adjusts the viscosity of the formulation to a level which permits effective flow from the reservoir **317**, through the dispensing orifice **319**, and out of the aperture **361** of the applicator **309**. This agent may be water, thickeners or thinners. The viscosity should be adjusted in relationship to the dimensions of the dispensing orifice **319** (including length, internal transverse cross-sectional area, shape, etc.), the composition of the applicator or other delivery channel used (i.e., hollow channel, porous channel, etc.), and the amount of force available to pressurize the reservoir **317**.

[0092] The elevator **308** forms a hermetic seal between the reservoir **317** and the chamber **318**. An outer surface **370** of the elevator **308** forms a lower end wall of the reservoir **317** while an inner surface **371** of the elevator **308** forms the upper end wall of the chamber **318**. The outer surface **370** of the elevator forms a continuous and uninterrupted fluid boundary that bounds a lower end of the reservoir **317**. The drive screw **311** does not protrude through the elevator **308**, nor through the outer surface **370**, and extend into the reservoir **317**. Thought of another way, the drive screw **311** is completely isolated from the reservoir **317** and never comes into contact with the fluid within the reservoir **317**, even when the elevator **308** is in a fully retracted state (as shown in FIG, 6).

[0093] The elevator **308** comprises a base portion **372** and a plug portion **373** extending axially from the base portion **372** along the longitudinal axis **B-B** toward the dispensing orifice **319**. The plug portion **373** comprises an internal cavity **374** having a closed top end **375** and an open bottom end **376**. When the dispenser **300** is assembled, and the elevator **308** is in a fully retracted position (as shown in FIG. 6), a distal portion of the drive screw **311** nests within the internal cavity **374** of the plug portion **373** of the elevator **308**. However, as can be seen, the drive screw **311** still does not penetrate

through the elevator **308** or its outer surface **370**. Furthermore, the outer surface **370** of the elevator **308** can comprise more than one surface (as shown in FIG. 8). When the elevator is axially advanced through the reservoir **317** and reaches a fully extended position (not illustrated) in which the reservoir **317** has been substantially emptied of the fluid, the plug portion **373** of the elevator **308** nests within the section **317A** of the reservoir **317** having the reduced transverse cross-section.

[0094] The elevator **308** is non-rotatable with respect to the housing **301** but can be axially translated relative thereto. Relative rotation between the elevator **308** and the housing **301** can be prevented by designing the elevator **308** and the cavity **317** to have corresponding non-circular transverse cross-sectional shapes. Alternatively, in embodiments where circular transverse cross-sections are desired, the elevator **308** and the inner surface of the housing **301** could be provided with an interlocking groove/ridge cooperation that prevents relative rotation while allowing axial translation. In still another embodiment, such as the one exemplified in FIGS. 17-19B, relative rotation between the elevator **308C** and the housing **301C** can be prevented by connecting an anti-rotation sleeve **395C** to the elevator **308C**. The anti-rotation sleeve **395C** is non-rotatable with respect to the housing **301C** as a result of an interlocking groove/ridge cooperation that is achieved between the inner surface of the housing **301C** and the anti-rotation sleeve **395C**.

[0095] The elevator is threadily coupled to the drive screw **311** so that relative rotation between the drive screw **311** and the elevator **308** axially advances the elevator **308** toward the dispensing orifice **319**, thereby expelling a volume of the fluid from the reservoir **317**. In the exemplified embodiment, the elevator **308** is threadily coupled to the threaded portion **354** of the drive screw **311** via the extension member **307**, which will be described in greater detail below. The elevator **308** further comprises an annular groove **377** formed into its inner surface **371** of the base portion **372** for coupling to the extension member **307**.

[0096] In alternative embodiments, the elevator **308** may be threadily coupled directly to the threaded portion **354** of the drive screw **311**, thereby eliminating the extension member **307**. However, the extension member **307** may be preferred in some

embodiments so that the elevator **308** does not have to be penetrated by the drive screw **311** while still affording an adequate distance of axial displacement of the elevator **308**.

[0097] In the exemplified embodiment, the extension member **307** is a tubular sleeve structure that extends from a proximal end **378** to a distal end **379**. However, in certain other embodiments, the extension member may be in the form of a frame, struts, or one or more elongate rods extending from a threaded collar to the elevator **308**. The extension member **307** has an inner surface **380** that forms an axial passageway **381** that extends through the entirety of the extension member **307**. The inner surface **380** comprises a threaded portion **380A** and a non-threaded portion **380B**. The threaded portion **380A** is located at the proximal end **378** of the extension member **307** and comprises a threaded surface that operably mates with the threaded surface of the drive screw **311** when the dispenser **300** is assembled. Further, when the dispenser is assembled, and the elevator **308** is in the full retracted position (as shown in FIG. 6), the drive screw **311** extends through the entirety of the axial passageway **380** of the extension member **380**.

[0098] The distal end **379** of the extension member **307** comprises a flange **388**. The elevator **308** is coupled to the extension member **307** through insertion of the distal end **379** and flange **388** of the extension member **307** into the annular groove **377** of the elevator **308**. Of course, the coupling between the elevator **308** and the extension member **307** can be effectuated in a variety of different ways, none of which are limiting of the present invention. Furthermore, in certain embodiments, the elevator **308** and the extension member **307** may be integrally formed as a unitary structure, rather than as separate components.

[0099] Referring now to FIGS. 6 and 16A-16B concurrently, the mechanism of action that the dispenser **300** uses to dispense the fluid from the reservoir **317** while eliminating weeping will be described. As known to those skilled in the art, axially advancing the elevator **308**, which extends throughout the entire transverse cross section of the reservoir **317**, while only relieving the fluid through the orifice **319**, will result in residual pressure in the reservoir, thereby causing the fluid to weep. To prevent this weeping effect, the dispenser **300** axially retracts the elevator **308**, in a reciprocating cycle after each predetermined increment of forward axial advancement of the elevator **308**. This is

[00100] Specifically, when the actuator **303** is rotated, the drive screw **311** is also rotated. Rotation of the drive screw **311** causes the elevator **308** to axially advance a distance in a first axial direction along the longitudinal axis **B-B** (i.e., in a direction moving from the proximal end **315** to the distal end **316** of the housing **301**) due to the relative rotation between the extension member **307** and the drive screw **311**, which are threadily coupled together as described above. Of course, in embodiments where the extension member **307** is omitted, said axial advancement will be caused by relative rotation between the elevator **308** and the drive screw **311**, which would be threadily coupled directly together or through the use of an intermediary structure. However, in addition to the axial advancement of the elevator **308** imparted by the aforementioned threaded coupling and relative rotation, the elevator is also subjected to an axial translational reciprocation due to relative rotation between the upper and lower cam surfaces **339, 347** of the collar **332** and the reciprocator **306**.

[00101] As mentioned above, the upper cam surface **339** is non-rotatable with respect to the housing **301**. However, when the actuator **303** is rotated, the lower cam surface **347** of the reciprocator **306** also rotates. The relative rotation between the cam surfaces **339, 347** results in the cams **356** of the lower cam surface **347** of the reciprocator **306** to ride up the cams **343** of the upper cam surface **339** of the collar **332** until the apexes **358, 345** of the cams **343, 356** are aligned (as shown in FIG. 16B). This riding of the cams **343, 356** imparts a component of translational axial advancement/displacement to the reciprocator **306**, which in turn is transferred to the elevator **308** via its coupling to the drive screw **311**. More specifically, as the actuator **303** is rotated in the direction which causes forward axial advancement of the elevator **308** on the feed screw **311**, based on the hand of the thread, the ramped surfaces **357** of the cams **356** will ride up the stationary ramped surfaces **344** of the cams **343**. The elevator **308** in turn, will receive the forward axial movement of two separate components, the axial advance due to relative rotation between the elevator **308** and the drive screw **311** and the axial advance due to the component of the ramped surfaces **344, 357** oriented in the axial direction. As

the apexes **358** of the cams **356** are rotated past the apexes **345** of the cams **343**, as shown in FIG. 16A, the reciprocator **306** will retract in an axial direction opposite to the direction of forward advance as the cams **356** are urged back into the depressions **346** by the bias imparted by the resilient member **310**. By moving the reciprocator **306** in a direction which is opposite to the forward travel, the elevator **308** retracts from the fluid in the reservoir, and thereby relieves the residual pressure caused by the forward stroke.

[00102] It should be apparent that the component of axial displacement, the reciprocator **306**, moves in both the forward and rear stroke of the axial reciprocation is equal. It should be noted however, that the net forward advance of the elevator **308** is greater than the retraction, due to the unidirectional forward displacement caused by relative rotation of the feed screw **311** and the elevator **308**. This net advance provides for dispensation of a predetermined quantity of the fluid.

[00103] The magnitude of the retraction necessary to reduce the residual pressure such that weeping of the fluid, or its components, does not take place varies with the thickness and yield pressure of the fluid and area of the orifices **319** relative to the elevator **308** and the reservoir **317**.

[00104] Furthermore, when the resilient member **310** urges the cam surfaces **339**, **347** back into intimate mating contact after the apexes **345**, **358** have passed one another (i.e., from the position shown in FIG. 16B to the position shown in FIG. 16A), an audible click is made. This "click" informs the user that the oral care product has been dispensed and allows the user to dispense a precise and reproducible amount of the fluid.

[00105] Referring now to FIGS. 17-19B, an alternative embodiment of a fluid dispenser **300C** according to a second embodiment of the present invention is exemplified. The fluid dispenser **300C** is substantially identical to the fluid dispenser **300** of FIGS. 3-16B in most structural and functional aspects. Thus, in order to avoid redundancy, only those aspects of the fluid dispenser **300C** that are different from the fluid dispenser **300** will be described below, with the understanding that the discussion above regarding the fluid dispenser **300** is applicable. Like structural elements of the fluid dispenser **300C** and the fluid dispenser **300** will be identified with like reference numerals, with the addition of the alphabetic suffix "C."

[00106] In addition to the components discussed above for the fluid dispenser **300**, the fluid dispenser **300C** further comprises an anti-rotation sleeve **395C** to prevent relative rotation between the elevator **308C** and the housing **301C** during rotation of the actuator **303C**. The anti-rotation sleeve **395C** is a hollow tubular structure having a first end that is connected to the elevator **308C**. While not visible, a plurality of axially extending ridges are provided on the outer surface of the anti-rotation sleeve **390C** that mate with axially extending grooves formed in the inner surface **313C** of the housing **301C**. Thus, when the actuator **303C** is rotated, thereby rotating the reciprocator **306C** (and its drive screw **311C**), the elevator **308C** translates axially due to the threaded coupling via the extension sleeve **307C** and the elevator **308C** being prohibited from rotating relative to the housing **301C** by the anti-rotation sleeve **395C**. In this manner, the housing **301C** and the internal cavity **317C** can have a circular transverse cross-sectional shape. While in the exemplified embodiment the anti-rotation sleeve **390C** is described as comprising ridges and the inner surface **313C** of the housing **301C** comprises grooves, it is to be understood that the anti-rotation sleeve **390C** could be designed to include the grooves while the inner surface **313C** of the housing **301C** would comprise the ridges in certain other embodiments. Moreover, in even further embodiments, the ridges could be in the form of simple tangs or protuberances that mate with the axially extending grooves.

[00107] A further difference between the fluid dispenser **300** and the fluid dispenser **300C** is the structure of the reciprocator **306C**. As mentioned above, the actuator **303C** of the fluid dispenser **300C** is not integrally formed with the reciprocator **306C** but is rather a separate component non-rotatably connected to an end of the reciprocator **306C**. In this embodiment, the actuator **303C** can be formed of a hard plastic or a thermoplastic elastomer. Of course, other materials could be used if desired.

[00108] The reciprocator **306C** further comprises a stopper plate **390C** that extends radially from a post portion **353C** of the reciprocator **306C**. During assembly, the stopper plate **390C** prevents over-insertion of the reciprocator **306C** into the collar **332C** that may damage the resilient elements **352C** by abutting the shoulder **341C** of the collar **332C**. Moreover, rather than contacting and interacting with the shoulder **341C** of the collar **332** to create the bias, the resilient elements **352C** of the reciprocator **306C** contact

and interact with a distal edge **396C** of an extending portion **397C** of the collar **332C**. When assembled, the extending portion **397C** of the collar **332C** protrudes from the distal end of the housing **301C**.

[00109] As used throughout, ranges are used as shorthand for describing each and every value that is within the range. Any value within the range can be selected as the terminus of the range. In addition, all references cited herein are hereby incorporated by referenced in their entireties. In the event of a conflict in a definition in the present disclosure and that of a cited reference, the present disclosure controls.

[00110] While the foregoing description and drawings represent the exemplary embodiments of the present invention, it will be understood that various additions, modifications and substitutions may be made therein without departing from the spirit and scope of the present invention as defined in the accompanying claims. In particular, it will be clear to those skilled in the art that the present invention may be embodied in other specific forms, structures, arrangements, proportions, sizes, and with other elements, materials, and components, without departing from the spirit or essential characteristics thereof. One skilled in the art will appreciate that the invention may be used with many modifications of structure, arrangement, proportions, sizes, materials, and components and otherwise, used in the practice of the invention, which are particularly adapted to specific environments and operative requirements without departing from the principles of the present invention. The presently disclosed embodiments are therefore to be considered in all respects as illustrative and not restrictive, the scope of the invention being defined by the appended claims, and not limited to the foregoing description or embodiments.

CLAIMS

WHAT IS CLAIMED IS:

1. An oral care system comprising:
 - a toothbrush; and
 - a dispenser detachably coupled to the toothbrush, the dispenser comprising:
 - a housing having a longitudinal axis and an internal reservoir for containing a fluid;
 - a dispensing orifice in the housing for dispensing the fluid from the reservoir;
 - a collar within the housing, the collar comprising an axial passageway and a cam surface, the collar being non-rotatable with respect to the housing;
 - a reciprocator comprising an actuator, a drive screw extending through the axial passageway of the collar, and a cam surface, the reciprocator being rotatable with respect to the housing;
 - a resilient member that axially biases the cam surface of the reciprocator and the cam surface of the collar into mating contact;
 - an elevator forming an end wall of the reservoir, the elevator being non-rotatable with respect to the housing and threadily coupled to the drive screw; and
- wherein rotation of the actuator causes the elevator to (1) axially advance along the drive screw in a first axial direction due to relative rotation between the drive screw and the elevator, and (2) axially reciprocate due to relative rotation between the cam surface of the collar and the cam surface of the reciprocator.
2. The oral care system according to claim 1 wherein the dispenser further comprises an extension member having a first end coupled to the elevator and a second end threadily coupled to the drive screw, the extension member being non-rotatable

with respect to the housing and threadily coupling the elevator to the drive screw, and wherein the axial advancement of the elevator along the drive screw is due to relative rotation between the drive screw and the extension member.

3. The oral care system according to any one of claims 1 to 2 wherein the drive screw does not penetrate through the elevator to extend into the reservoir when the elevator is in a fully retracted position.
4. The oral care system according to any one of claims 1 to 3 wherein the cam surface of the reciprocator is located on a flanged base portion of the drive screw.
5. The oral care system according to any one of claims 1 to 4 wherein the mating contact between the cam surface of the reciprocator and the cam surface of the collar prevents the reciprocator from being uncoupled from the housing.
6. The oral care system according to any one of claims 1 to 5 wherein the dispenser further comprises an applicator coupled to a distal end of the housing, the applicator comprising an aperture in fluid communication with the dispensing orifice.
7. The oral care system according to claim 6 wherein the applicator is formed of an elastomeric material.
8. The oral care system according to any one of claims 1 to 7 wherein the resilient member is positioned between the actuator of the reciprocator and the collar, the resilient member exerting an axial force on the reciprocator in a second axial direction opposite the first axial direction.
9. The oral care system according to any one of claims 1 to 8 wherein the resilient member comprises at least one prong extending from the actuator, the prong integrally formed as part of the reciprocator.
10. The oral care system according to any one of claims 1 to 9 wherein the actuator, the drive screw, and the resilient member are integrally formed to form the reciprocator.
11. The oral care system according to any one of claims 1 to 10 wherein the elevator comprises a base portion and a plug portion protruding from the base portion, a

- portion of the drive screw nesting within the plug portion of the elevator when the elevator is in a fully retracted position.
12. The oral care system according to claim 11 wherein the plug portion of the elevator extends into a section of the reservoir having a reduced transverse cross-sectional area when the elevator is axially advanced into a fully extended position.
 13. The oral care system according to any one of claims 1 to 12 wherein the actuator comprises a dial portion protruding axially from a proximal end of the housing.
 14. The oral care system according to any one of claims 1 to 13 wherein the dispenser further comprises a removable cap coupled to the housing, the removable cap comprising an axial plug that inserts into and seals the dispensing orifice.
 15. The oral care system according to any one of claims 1 to 14 wherein the dispenser further comprises an anti-rotation sleeve connected to the elevator that prevents the elevator from rotating relative to the housing.
 16. The oral care system according to any one of claims 1 to 15 wherein the reciprocator further comprises a stopper plate that prevents over-insertion of the reciprocator through the axial passageway of the collar.
 17. An oral care system comprising:
 - a toothbrush; and
 - a dispenser detachably coupled to the toothbrush, the dispenser comprising:
 - a housing forming an internal cavity extending along a longitudinal axis;
 - an elevator disposed within the internal cavity that hermetically separates the internal cavity into a reservoir for containing a fluid and a chamber, the elevator comprising an outer surface forming an end wall of the reservoir and an inner surface forming an end wall of the chamber, the elevator being non-rotatable with respect to the housing;

a dispensing orifice in the housing for dispensing the fluid from the reservoir;

an actuator;

a drive screw in the chamber and operably coupled to the actuator, the drive screw and the actuator being rotatable with respect to the housing, wherein the drive screw does not penetrate through the outer surface of the elevator into the reservoir; and

an extension member having a first end coupled to the elevator and a second end threadily coupled to the drive screw, the extension member being non-rotatable with respect to the housing; and

wherein rotation of the actuator causes the elevator to axially advance along the drive screw in a first axial direction due to relative rotation between the drive screw and the extension member.

18. The oral care system according to claim 17 wherein the elevator comprises a base portion and a plug portion protruding from the base portion, a portion of the drive screw nesting within the plug portion of the elevator when the elevator is in a fully retracted position.
19. The oral care system according to claim 18 wherein the plug portion of the elevator extends into a section of the reservoir having a reduced transverse cross-section when the elevator is axially advanced into a fully extended position.
20. The oral care system according to any one of claims 17 to 19 wherein the elevator comprises an annular groove formed in the inner surface, the first end of the extension member disposed within the annular groove.
21. The oral care system according to any one of claims 17 to 20 wherein when the elevator is in a fully retracted position, the second end of the extension member is threadily coupled to a base portion of the drive screw and the elevator covers a distal end of the drive screw.

22. The oral care system according to any one of claims 17 to 21 wherein the extension member is a sleeve forming an axial passageway, the drive screw extending through the axial passageway of the extension sleeve.
23. The oral care system according to any one of claims 17 to 22 wherein the dispenser further comprises:
- a collar within the housing, the collar comprising an axial passageway and an upper cam surface, the collar being non-rotatable with respect to the housing;
 - the drive screw comprising a lower cam surface;
 - a resilient member that axially biases the cam surface of the drive screw and the cam surface of the collar into mating contact;
- wherein rotation of the actuator further causes the elevator to axially reciprocate due to relative rotation between the cam surface of the collar and the cam surface of the drive screw.
24. The oral care system according to claim 23 wherein the resilient member is positioned between the actuator of the reciprocator and the collar, the resilient member exerting an axial force on the reciprocator in a second axial direction opposite the first axial direction.
25. The oral care system according to any one of claims 23 to 24 wherein the resilient member comprises at least one prong extending from the actuator.
26. The oral care system according to any one of claims 23 to 25 wherein the actuator, the drive screw, and the prong are an integrally formed structure.
27. An oral care system comprising:
- a toothbrush; and
 - a dispenser detachably coupled to the toothbrush, the dispenser comprising:
 - a housing having a longitudinal axis and an internal reservoir for containing a fluid;

a dispensing orifice in the housing for dispensing the fluid from the reservoir;

a first cam surface within the housing, the first cam surface being non-rotatable with respect to the housing;

a reciprocator comprising an actuator, a drive screw, and a second cam surface, the reciprocator being rotatable with respect to the housing;

a resilient member that axially biases the second cam surface and the cam surface of the collar into mating contact, wherein the mating contact between the first cam surface and the second cam surface prevents the reciprocator from being uncoupled from the housing;

an elevator forming an end wall of the reservoir, the elevator being non-rotatable with respect to the housing and threadily coupled to the drive screw;

wherein rotation of the actuator causes the elevator to (1) axially advance along the drive screw in a first axial direction due to relative rotation between the drive screw and the elevator, and (2) axially reciprocate due to relative rotation between the first cam surface and the second cam surface.

28. The oral care system according to claim 27 wherein the dispenser further comprises an extension member having a first end coupled to the elevator and a second end threadily coupled to the drive screw, the extension member being non-rotatable with respect to the housing and threadily coupling the elevator to the drive screw, and wherein the axial advancement of the elevator along the drive screw is due to relative rotation between the drive screw and the extension member.
29. The oral care system according to any one of claims 27 to 28 wherein the drive screw does not penetrate through the elevator to extend into the reservoir.
30. The oral care system according to any one of claims 27 to 29 wherein the drive screw extends through an axial passageway circumferentially surrounded by the

first cam surface, the second cam surface of the reciprocator located on a flanged base portion of the drive screw.

31. The oral care system according to any one of claims 27 to 30 wherein the resilient member exerts an axial force on the reciprocator in a second axial direction opposite the first axial direction.
32. The oral care system according to any one of claims 27 to 31 wherein the resilient member comprises at least one prong extending from the actuator, the prong integrally formed with the reciprocator.
33. The oral care system according to any one of claims 27 to 32 wherein the actuator, the drive screw, and the resilient member are integrally formed to form the reciprocator.
34. An oral care system comprising:
 - a toothbrush; and
 - a dispenser detachably coupled to the toothbrush, the dispenser comprising:
 - a housing forming an internal cavity extending along a longitudinal axis;
 - an elevator disposed within the internal cavity that hermetically separates the internal cavity into a reservoir for containing a fluid and a chamber, the elevator comprising an outer surface forming an end wall of the reservoir and an inner surface forming an end wall of the chamber, the elevator being non-rotatable with respect to the housing;
 - a dispensing orifice in the housing for dispensing the fluid from the reservoir;
 - an actuator;
 - a drive screw in the chamber and operably coupled to the actuator, the drive screw and the actuator being rotatable with respect to the housing, wherein the drive screw does not penetrate through the outer

surface of the elevator into the reservoir when the elevator is in a fully retracted position; and

the elevator operably coupled to the drive screw so that rotation of the actuator causes the elevator to axially advance along the drive screw in a first axial direction due to relative rotation between the drive screw and the elevator.

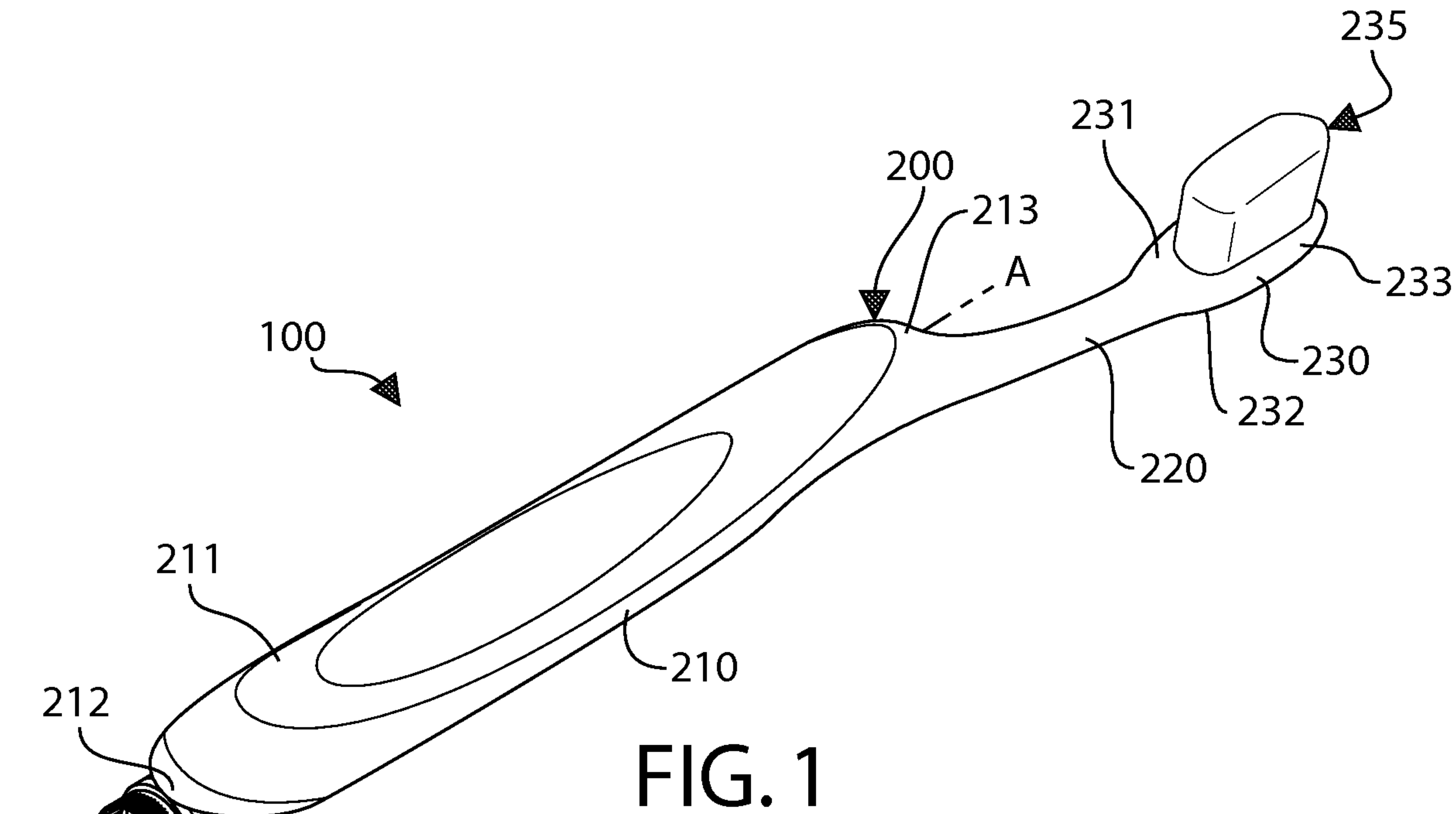


FIG. 1

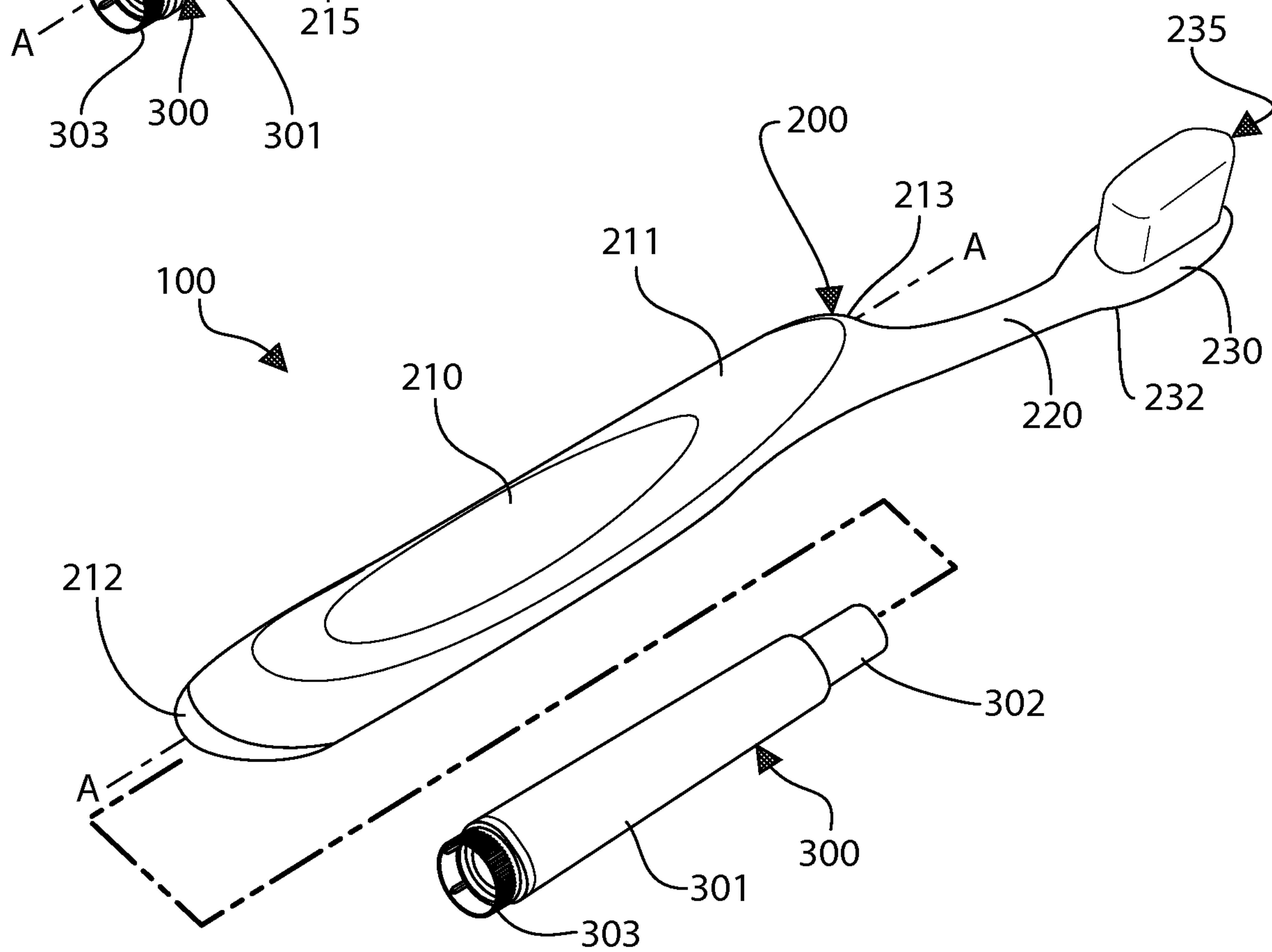


FIG. 2

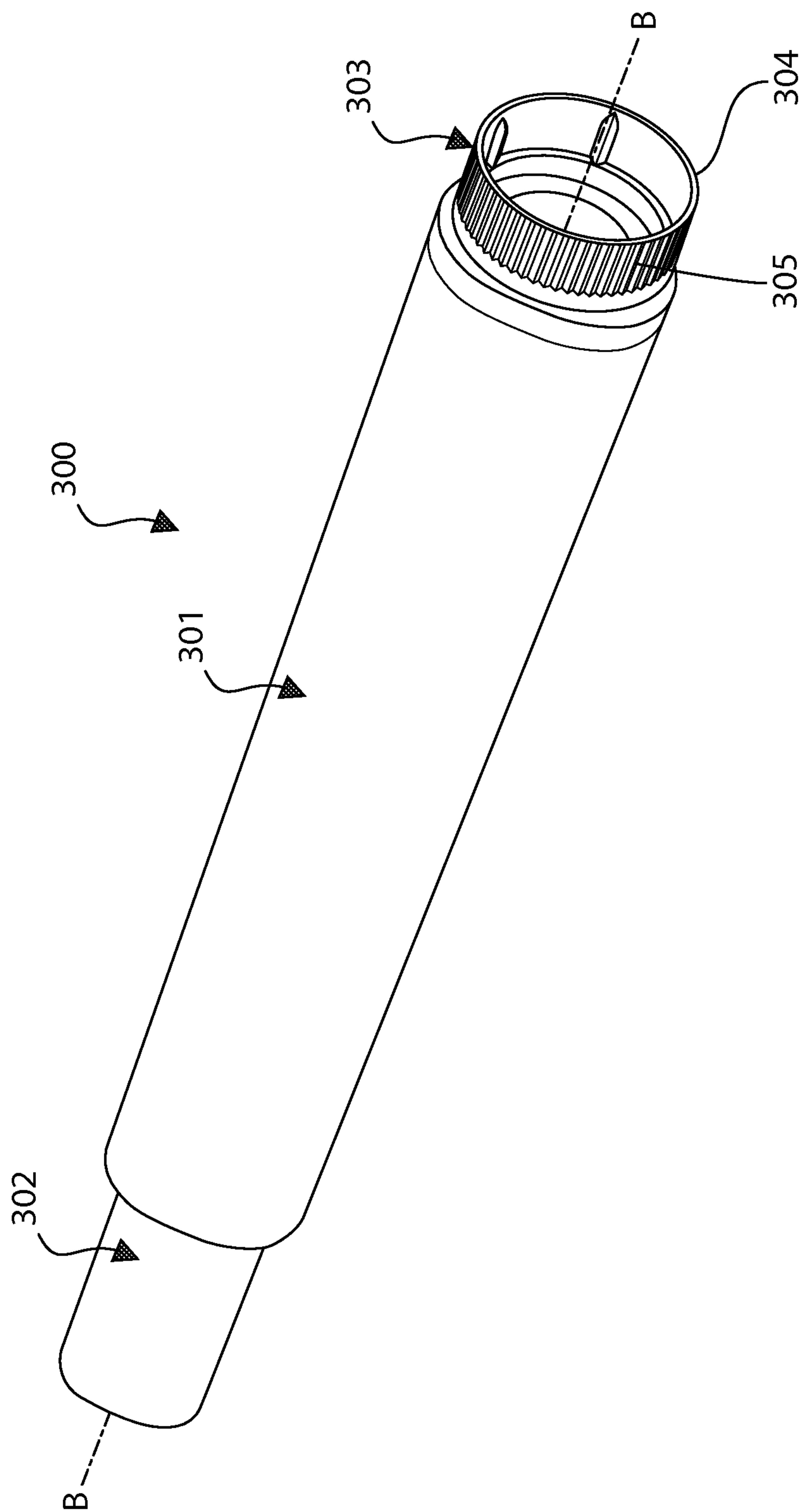


FIG. 3

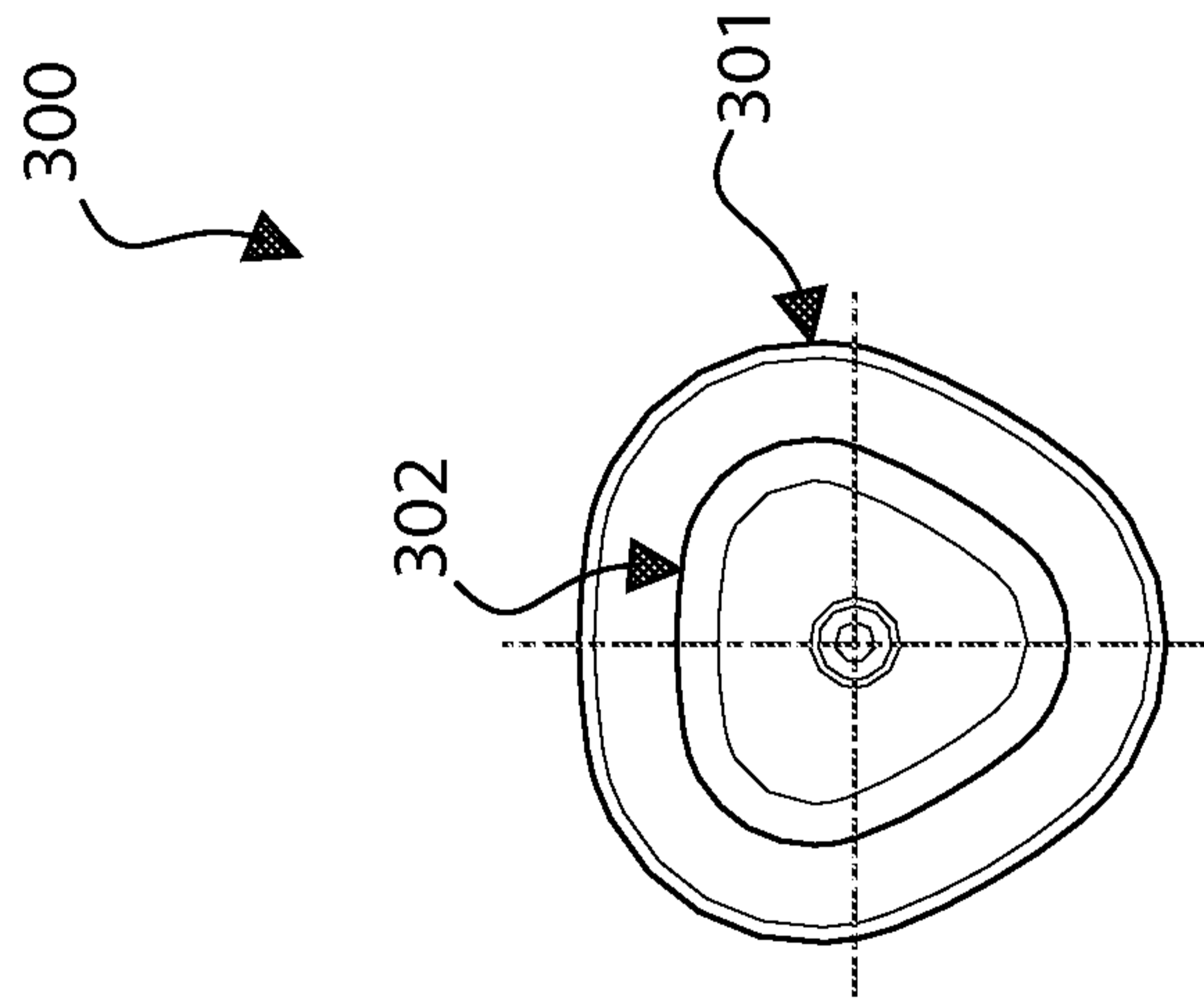


FIG. 4

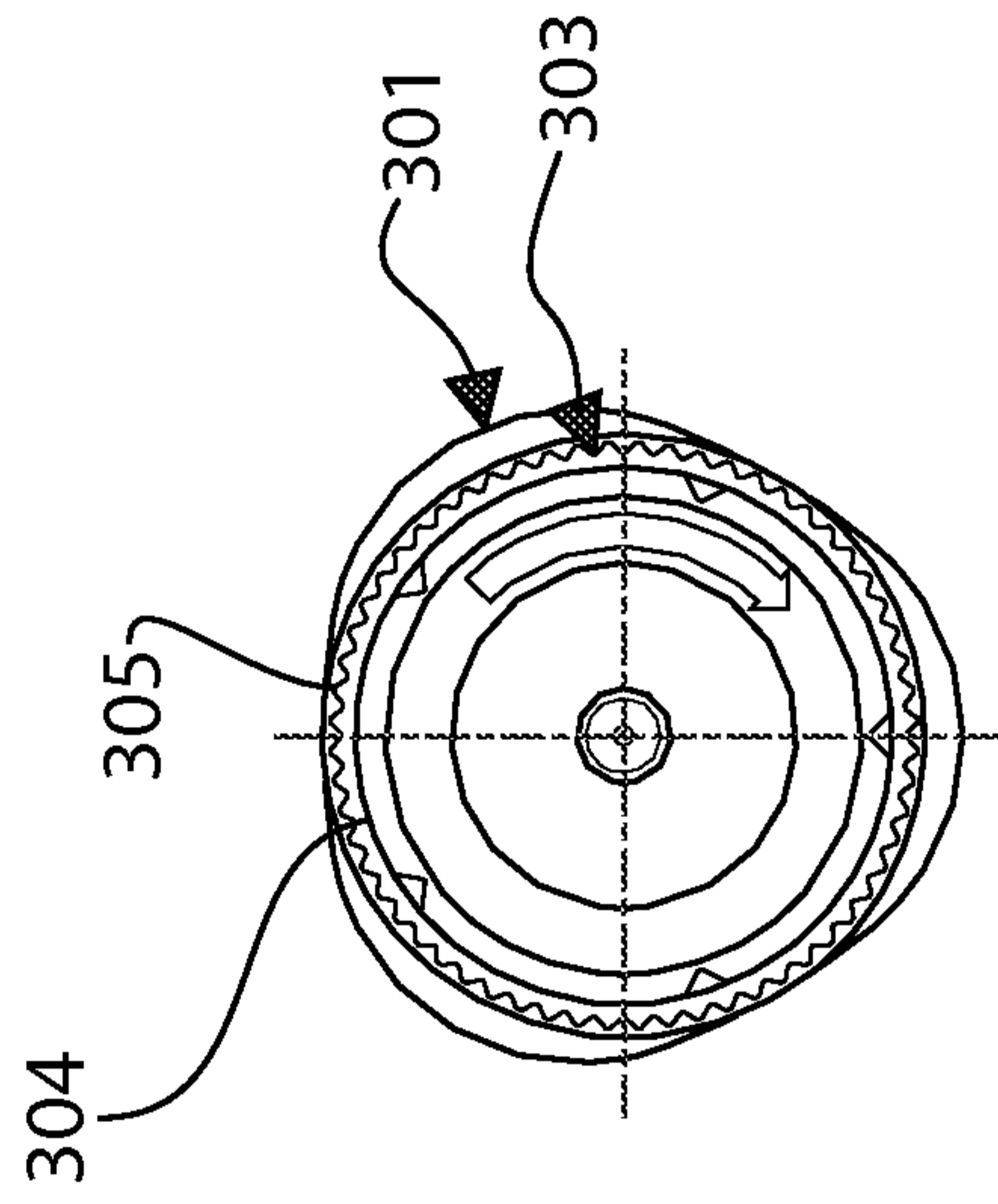


FIG. 5

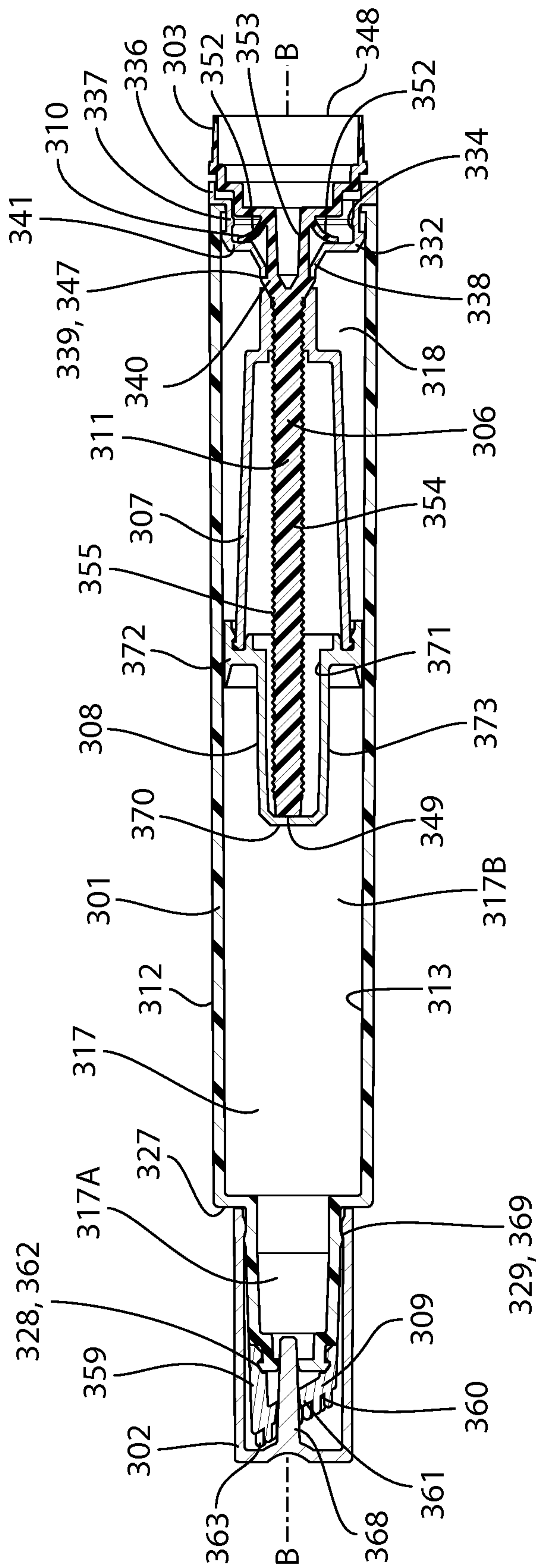


FIG. 6

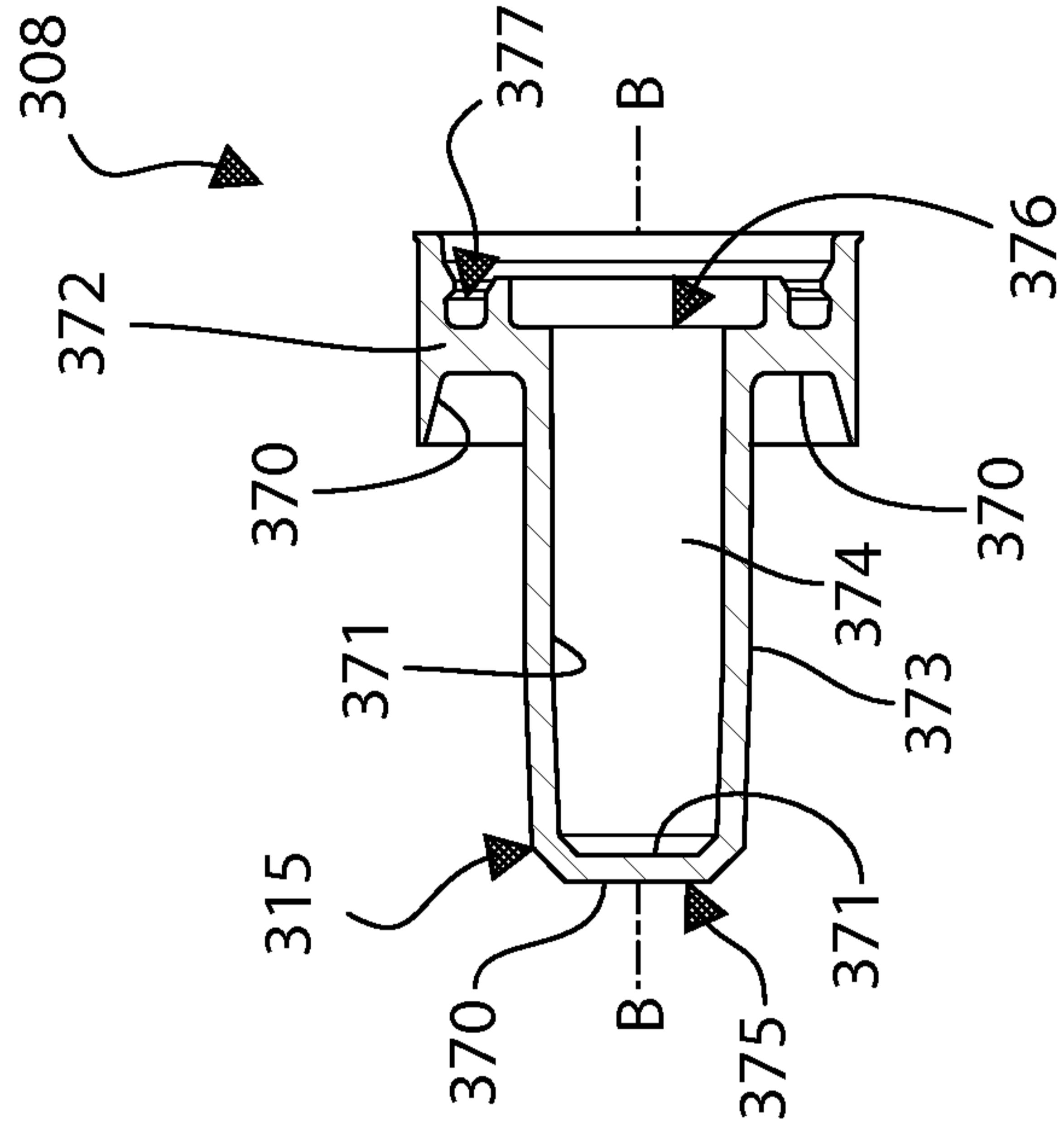


FIG. 7

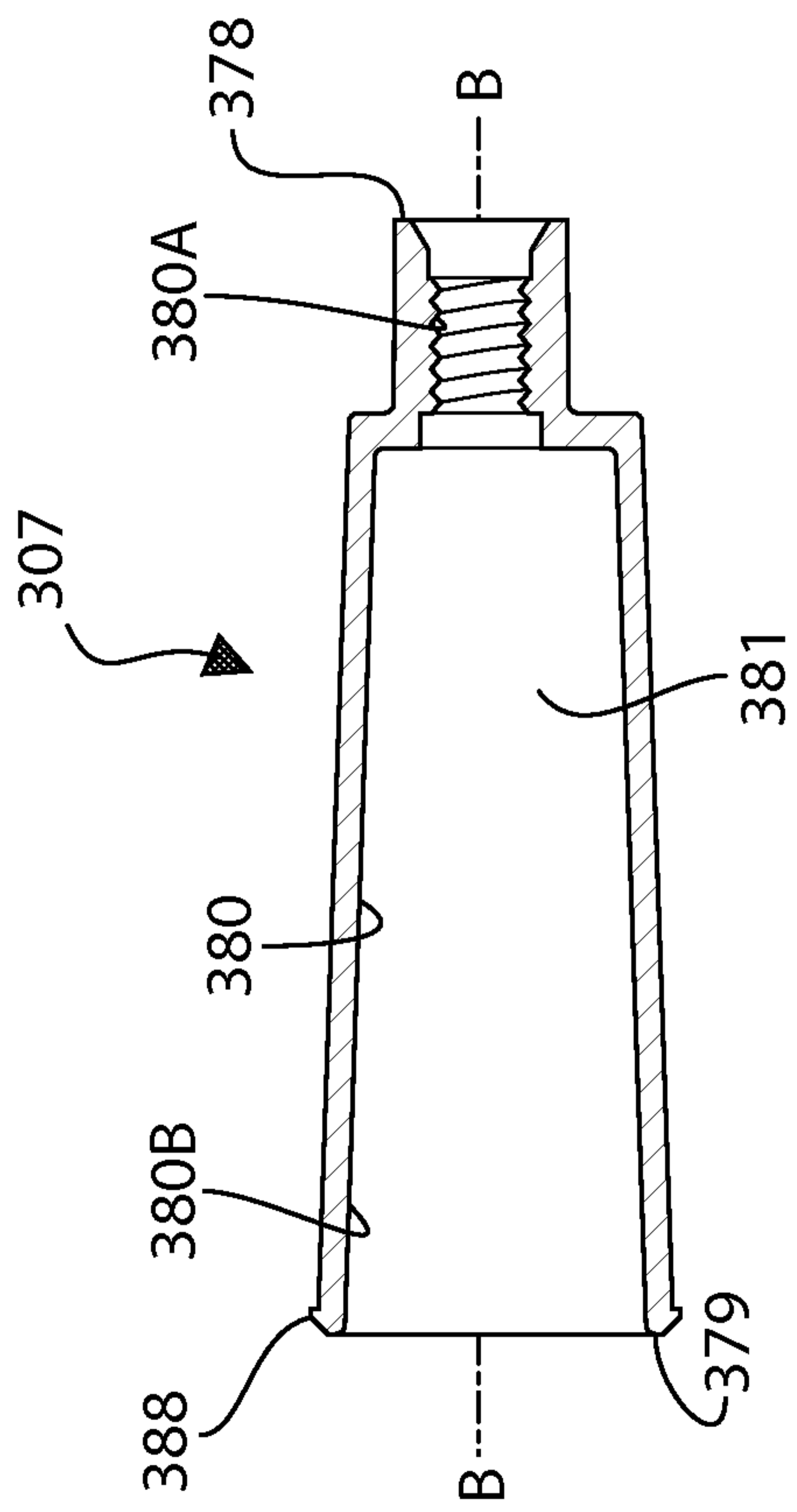


FIG. 8

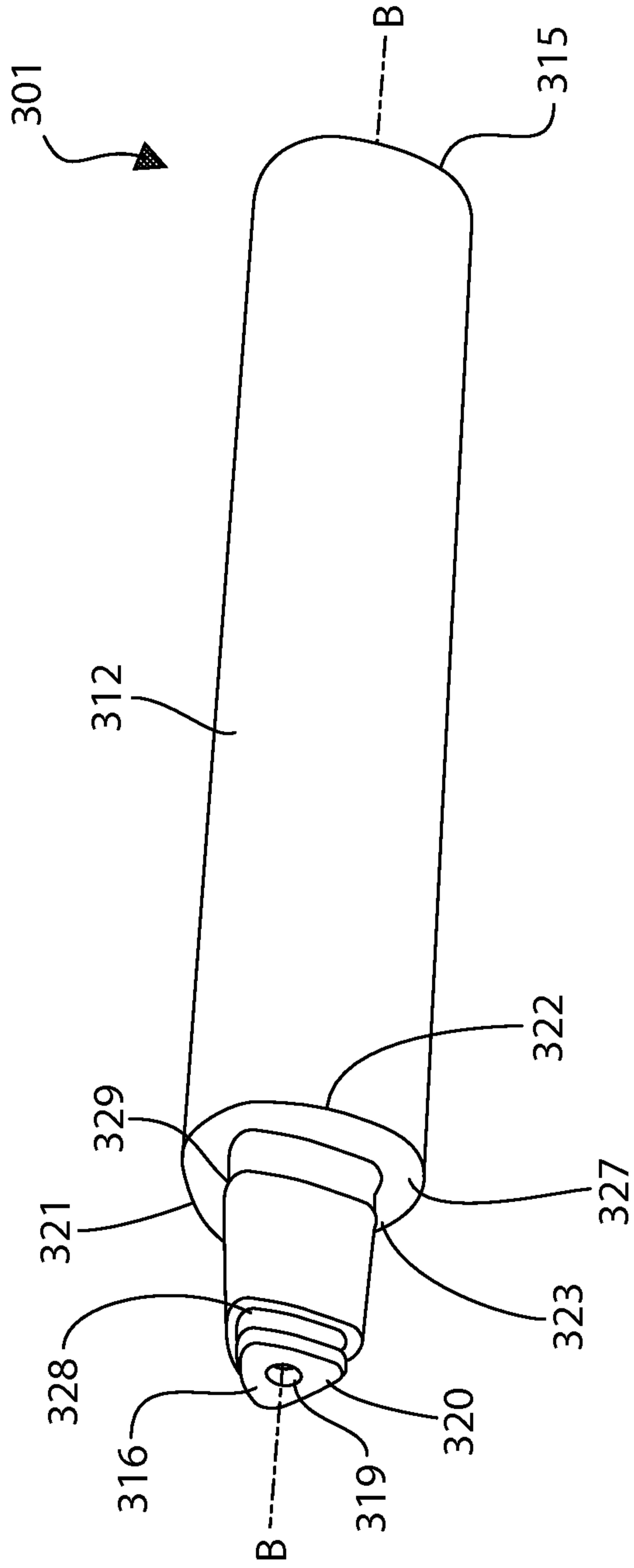


FIG. 9

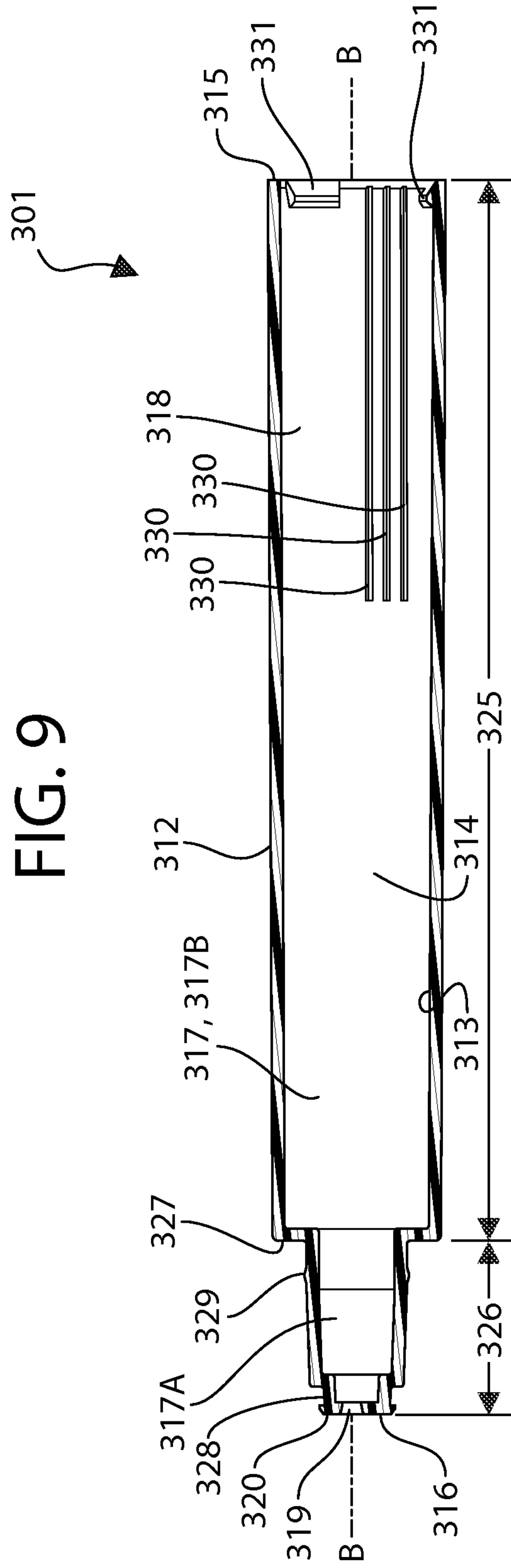


FIG. 10

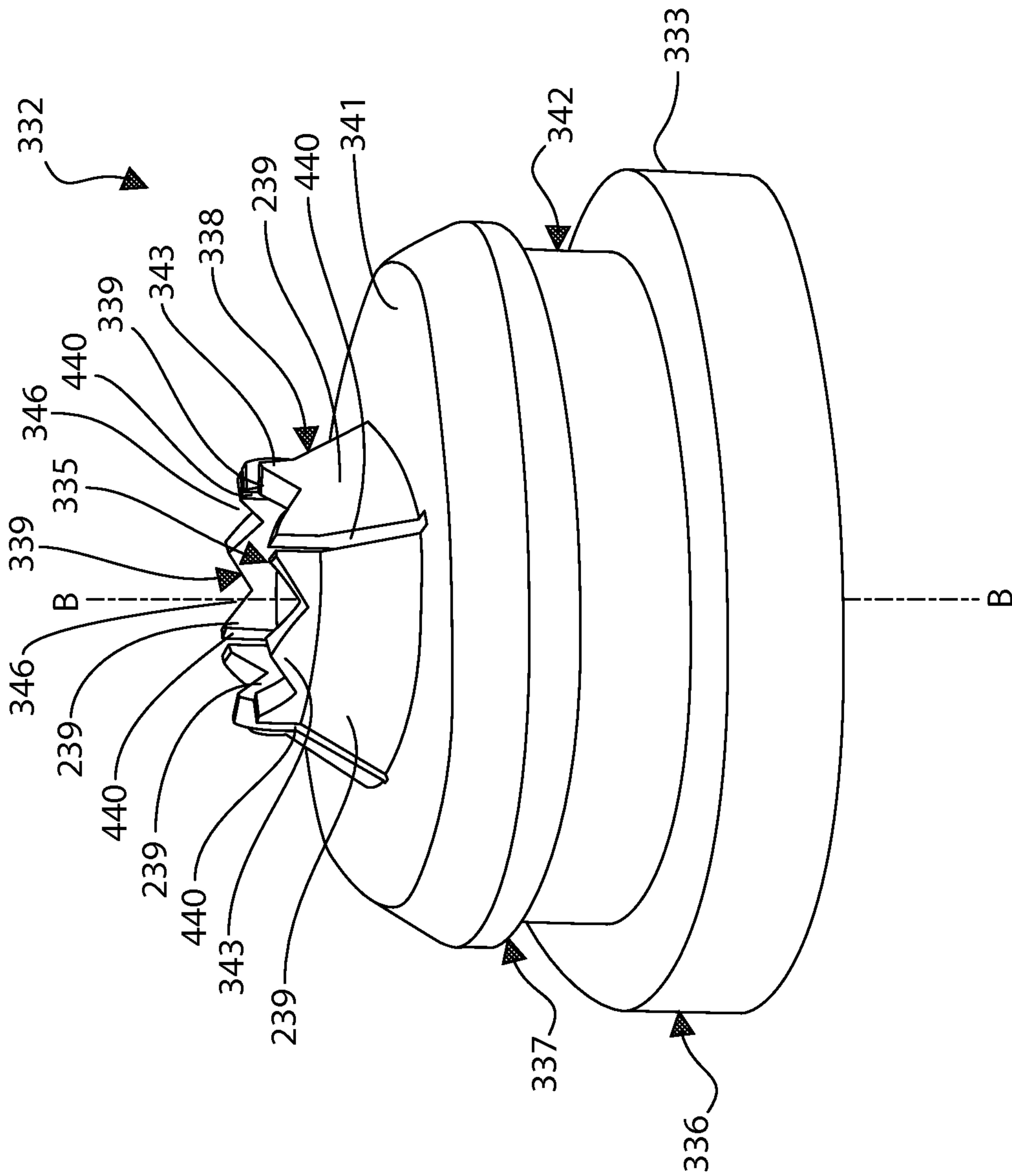


FIG. 11

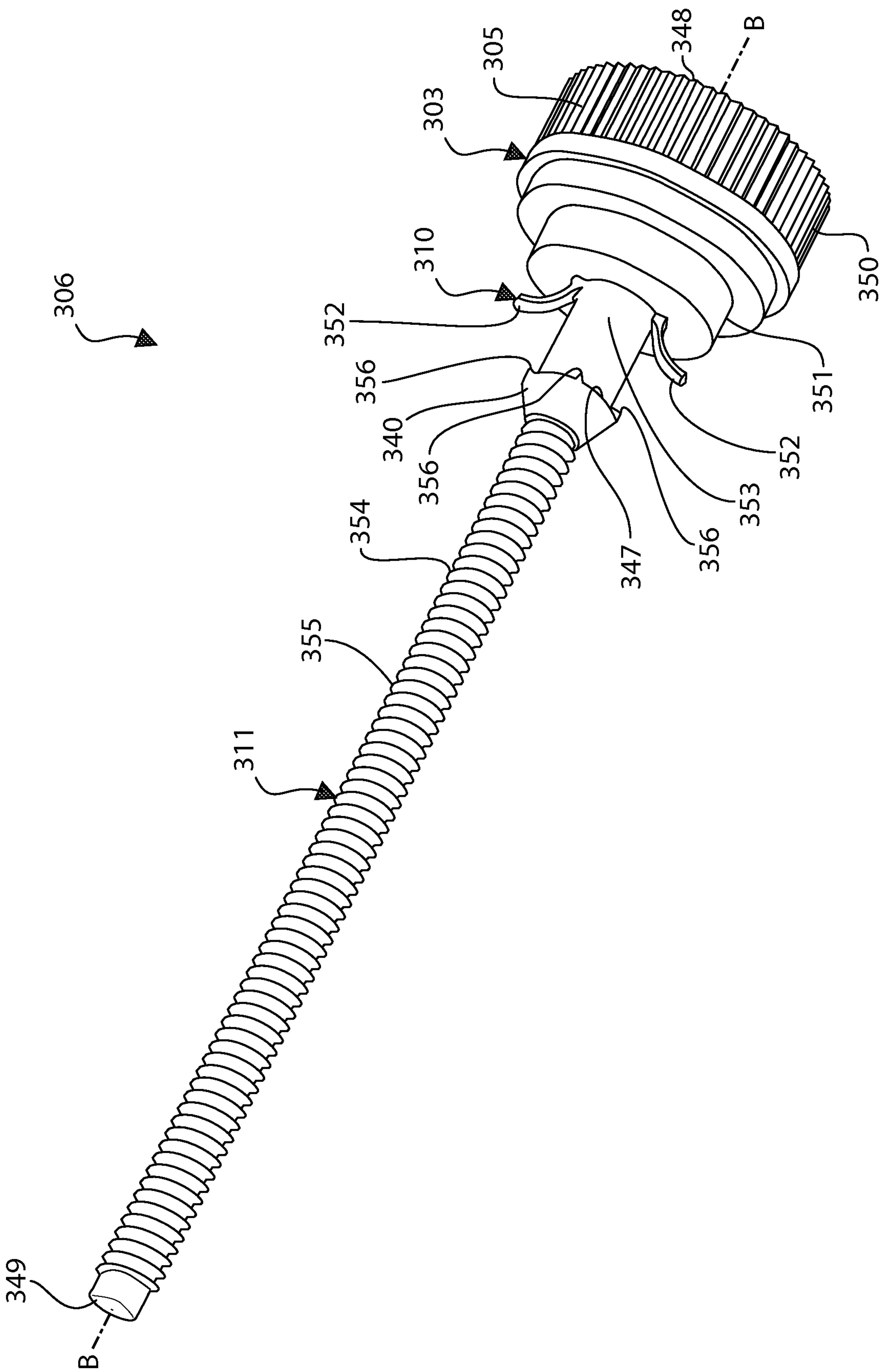


FIG. 12

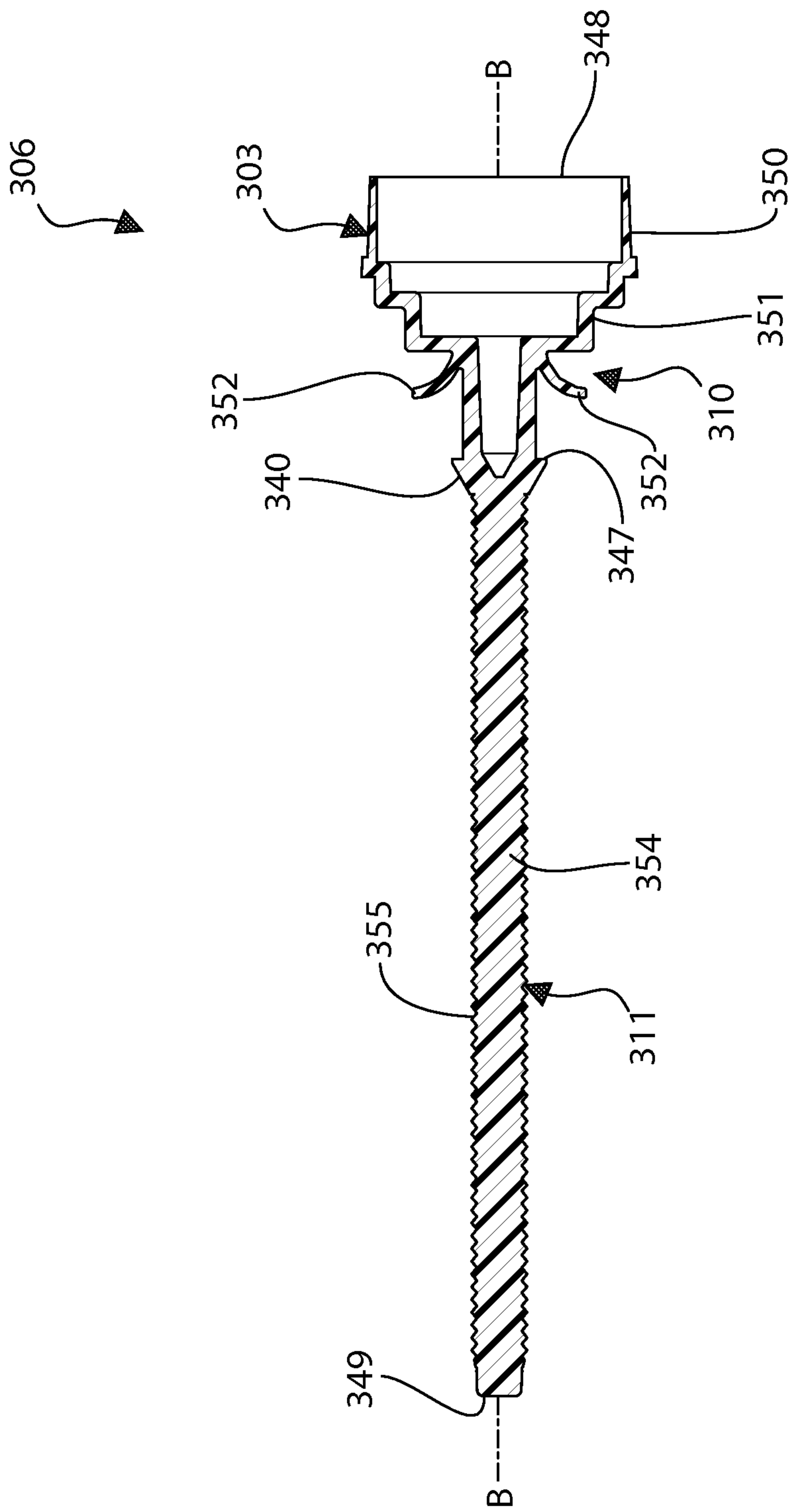


FIG. 13

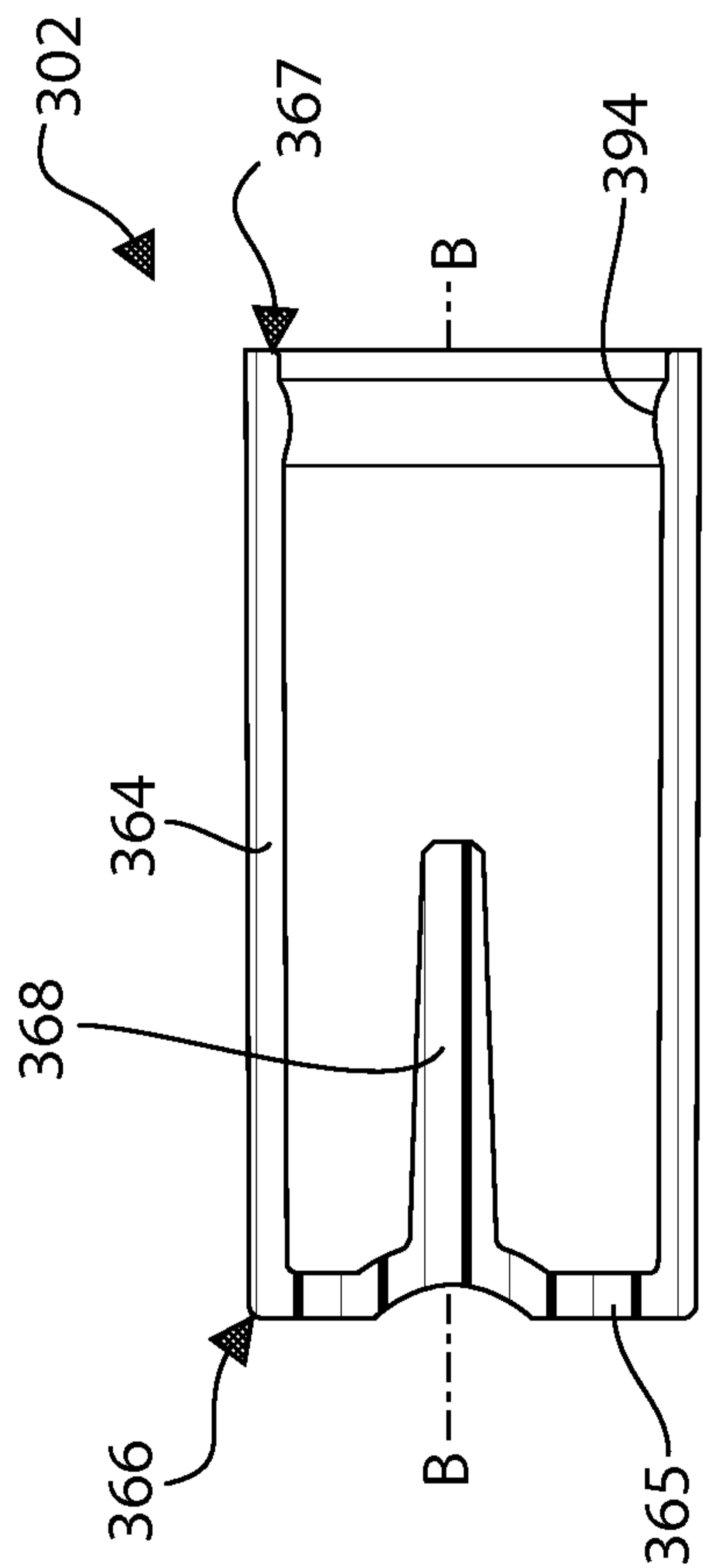


FIG. 14

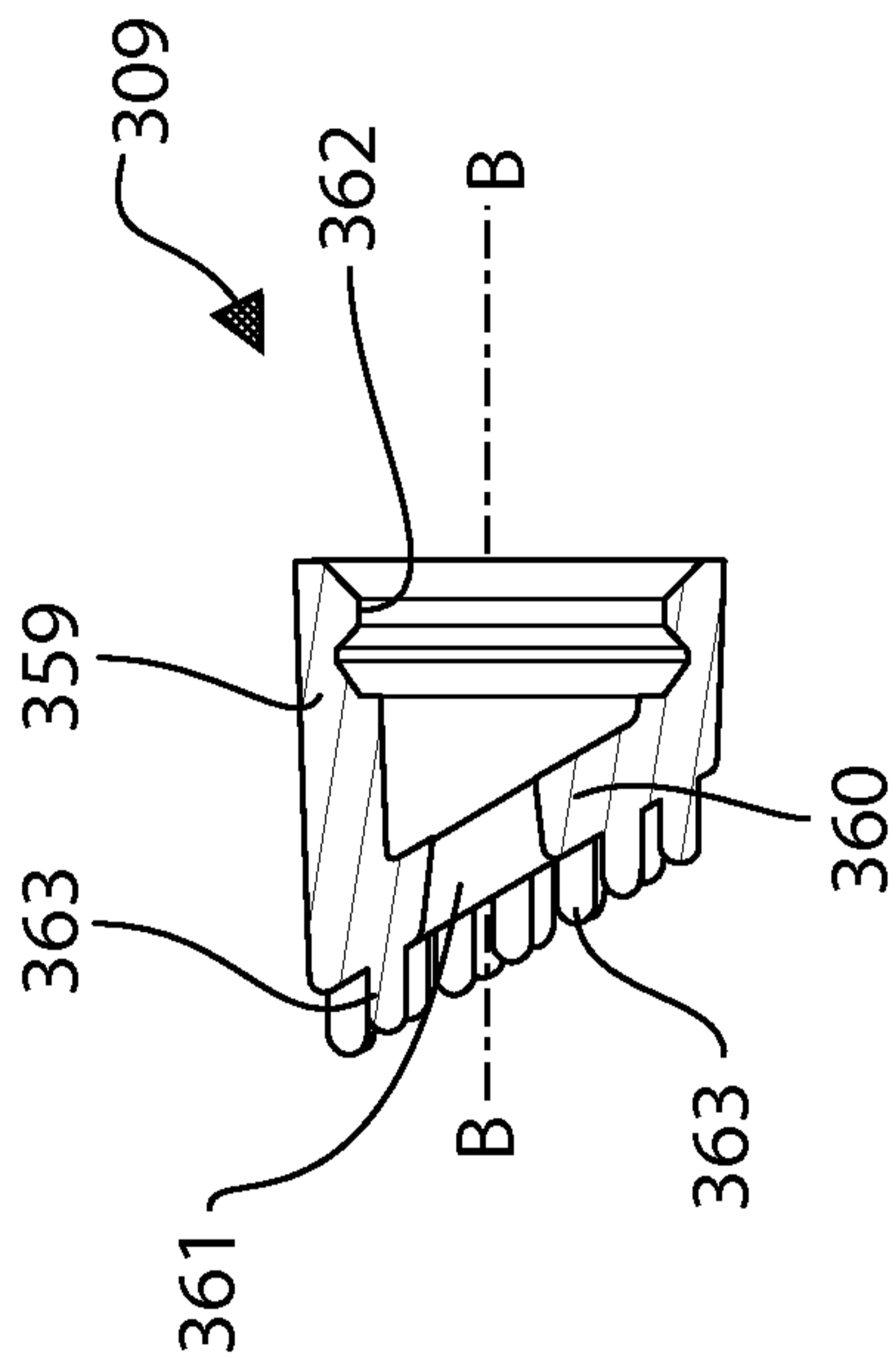


FIG. 15

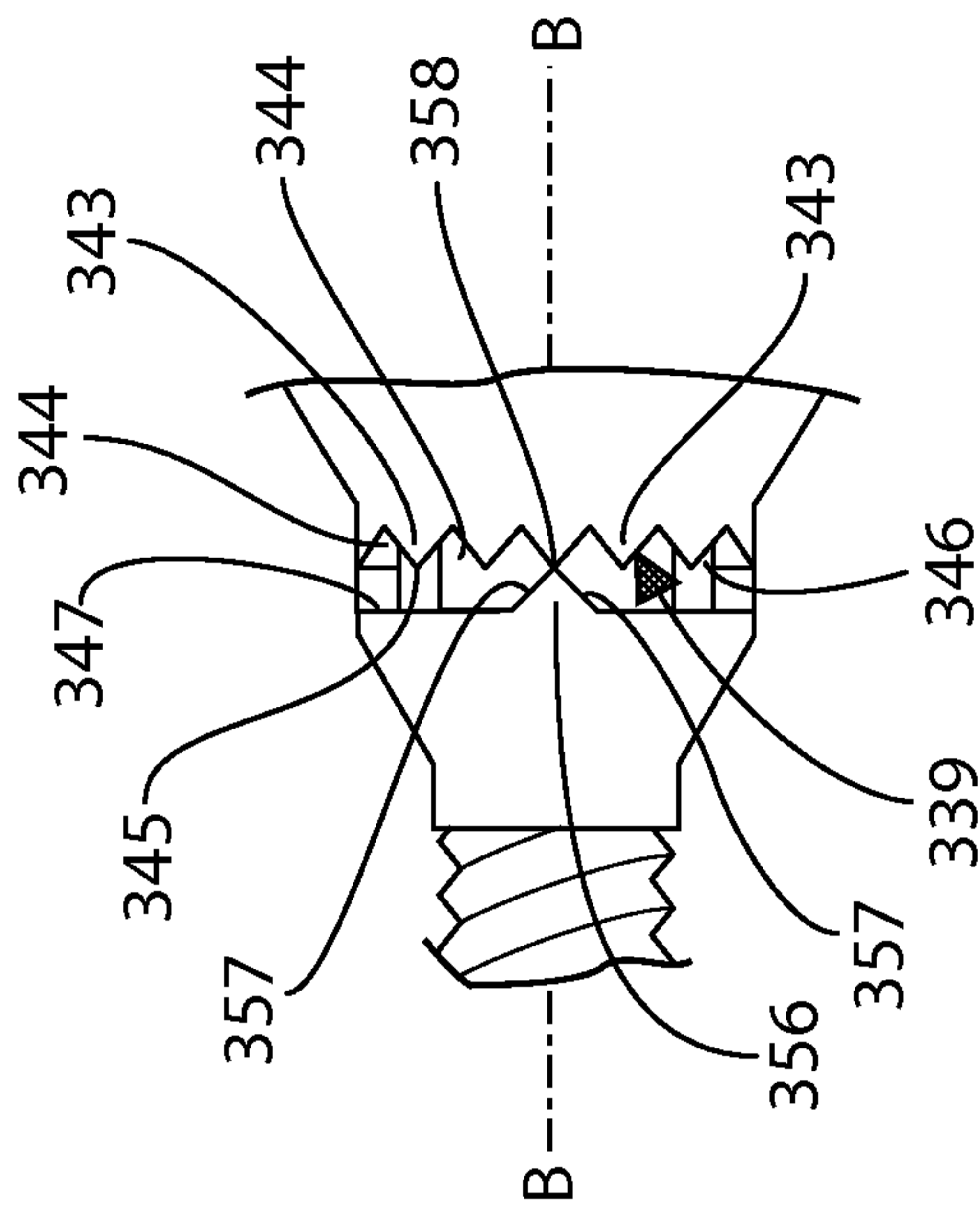


FIG. 16B

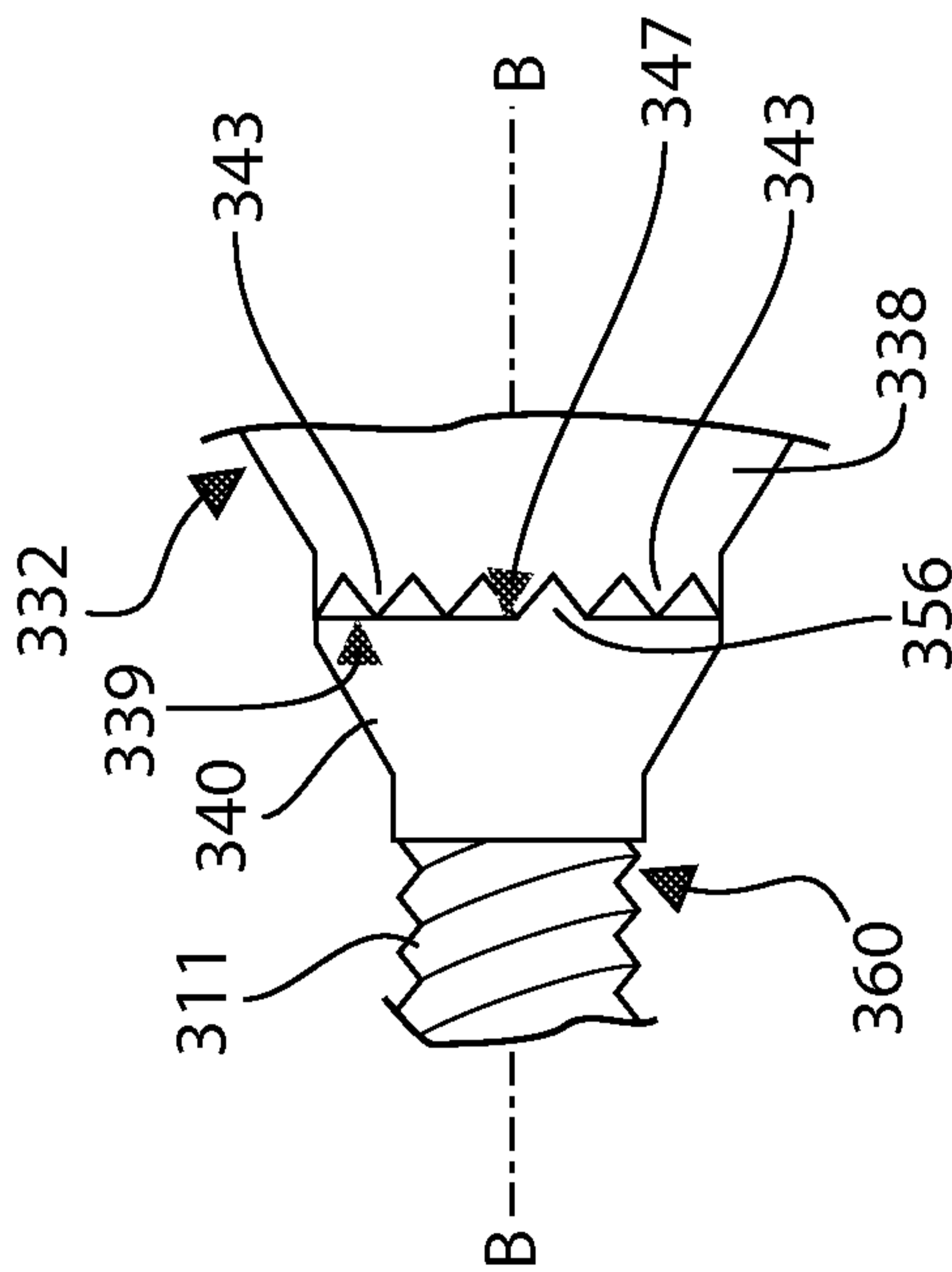


FIG. 16A

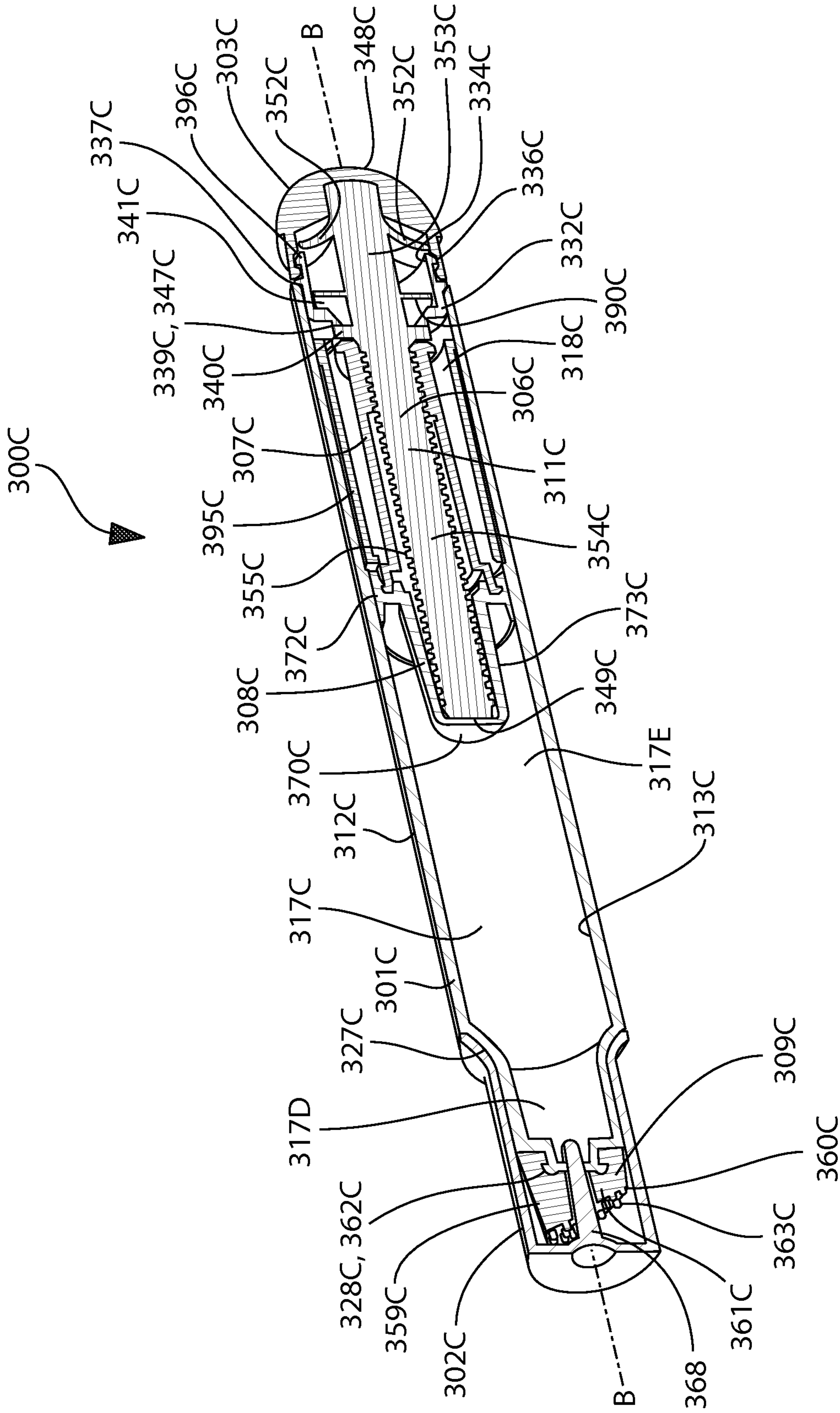


FIG. 17

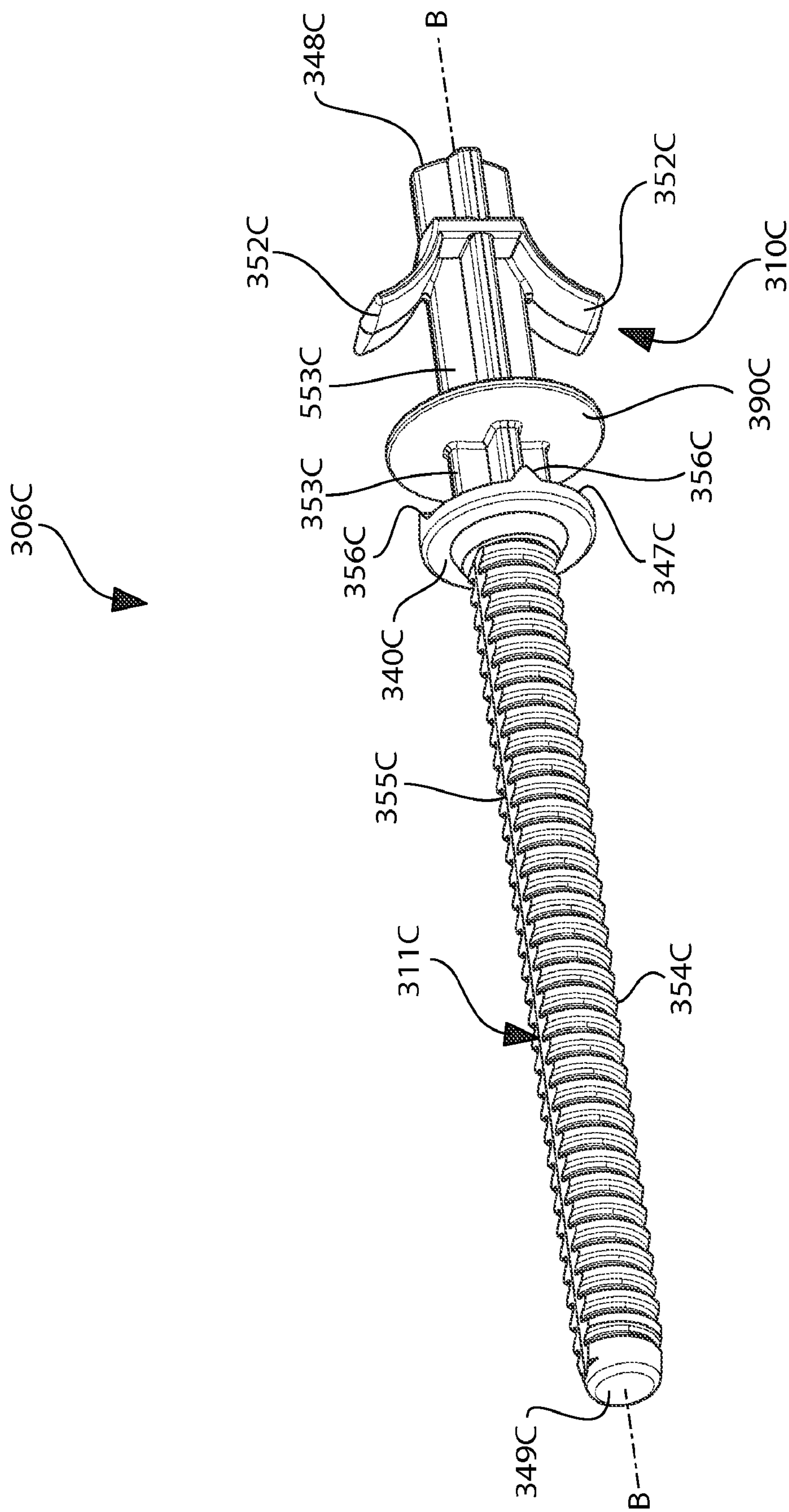


FIG. 18

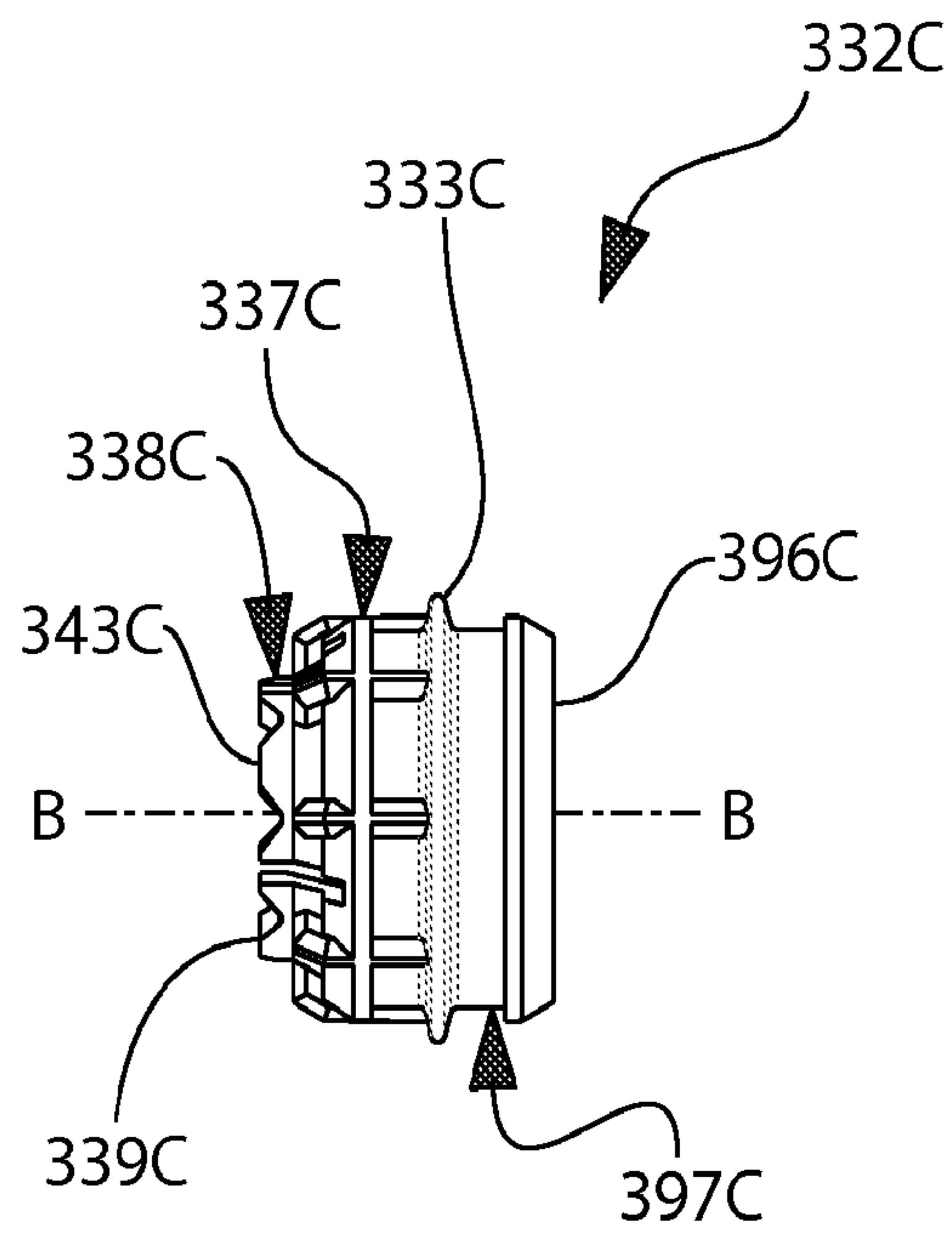


FIG. 19A

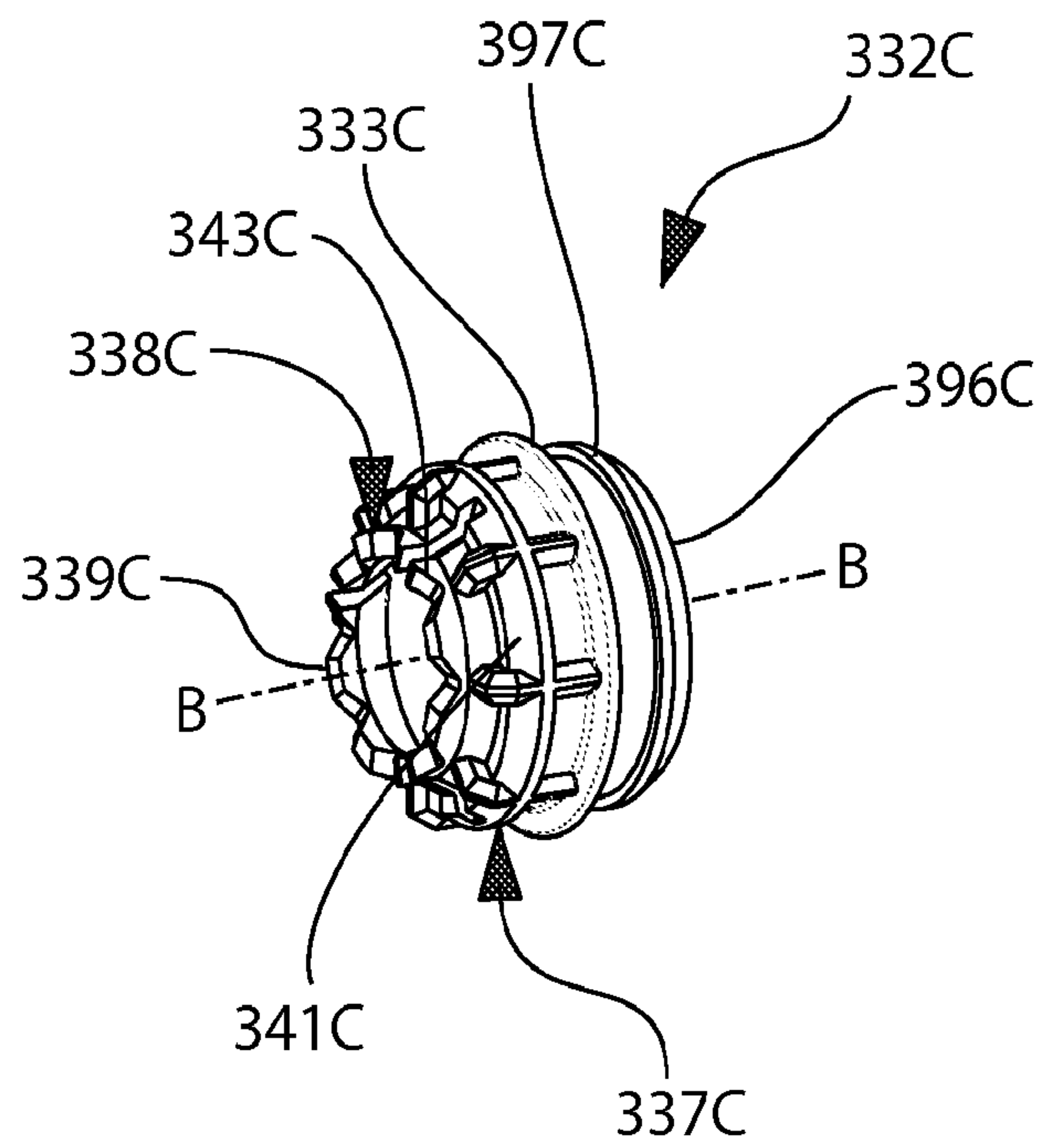


FIG. 19B

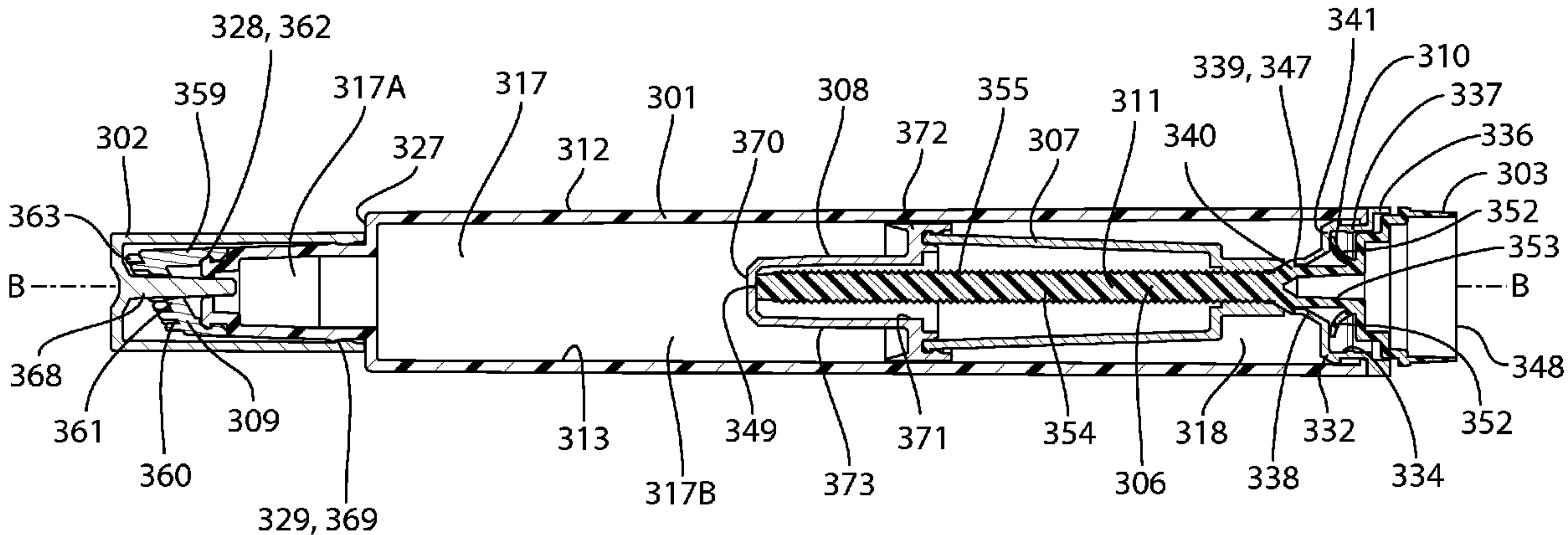


FIG. 6