



(43) International Publication Date
30 January 2014 (30.01.2014)

(51) International Patent Classification:

B67D 1/04 (2006.01) *B67D 7/02* (2010.01)
B67D 1/08 (2006.01) *B29C 49/06* (2006.01)

(21) International Application Number:

PCT/NL2013/050557

(22) International Filing Date:

26 July 2013 (26.07.2013)

(25) Filing Language:

English

(26) Publication Language:

English

(30) Priority Data:

2009236 26 July 2012 (26.07.2012) NL

(71) Applicant: **HEINEKEN SUPPLY CHAIN B.V.**
[NL/NL]; Tweede Weteringplantsoen 21, NL-1017 ZD
Amsterdam (NL).

(72) Inventors: **WITTE, Pieter Gerard**; c/o Tweede Wetering-
plantsoen 21, NL-1017 ZD Amsterdam (NL). **PAAUWE,**
Arie Maarten; c/o Tweede Weteringplantsoen 21, NL-
1017 ZD Amsterdam (NL). **BAX, Bart Jan**; c/o Tweede
Weteringplantsoen 21, NL-1017 ZD Amsterdam (NL).

(74) Agent: **JANSEN, C.M.**; Johan de Wittlaan 7, NL-2517 JR
Den Haag (NL).

(81) Designated States (unless otherwise indicated, for every
kind of national protection available): AE, AG, AL, AM,
AO, AT, AU, AZ, BA, BB, BG, BH, BN, BR, BW, BY,
BZ, CA, CH, CL, CN, CO, CR, CU, CZ, DE, DK, DM,
DO, DZ, EC, EE, EG, ES, FI, GB, GD, GE, GH, GM, GT,
HN, HR, HU, ID, IL, IN, IS, JP, KE, KG, KN, KP, KR,
KZ, LA, LC, LK, LR, LS, LT, LU, LY, MA, MD, ME,
MG, MK, MN, MW, MX, MY, MZ, NA, NG, NI, NO, NZ,
OM, PA, PE, PG, PH, PL, PT, QA, RO, RS, RU, RW, SC,
SD, SE, SG, SK, SL, SM, ST, SV, SY, TH, TJ, TM, TN,
TR, TT, TZ, UA, UG, US, UZ, VC, VN, ZA, ZM, ZW.

(84) Designated States (unless otherwise indicated, for every
kind of regional protection available): ARIPO (BW, GH,
GM, KE, LR, LS, MW, MZ, NA, RW, SD, SL, SZ, TZ,
UG, ZM, ZW), Eurasian (AM, AZ, BY, KG, KZ, RU, TJ,
TM), European (AL, AT, BE, BG, CH, CY, CZ, DE, DK,
EE, ES, FI, FR, GB, GR, HR, HU, IE, IS, IT, LT, LU, LV,
MC, MK, MT, NL, NO, PL, PT, RO, RS, SE, SI, SK, SM,
TR), OAPI (BF, BJ, CF, CG, CI, CM, GA, GN, GQ, GW,
KM, ML, MR, NE, SN, TD, TG).

Published:

— with international search report (Art. 21(3))

[Continued on next page]

(54) Title: CONTAINER AND SET OF PREFORMS FOR FORMING A CONTAINER

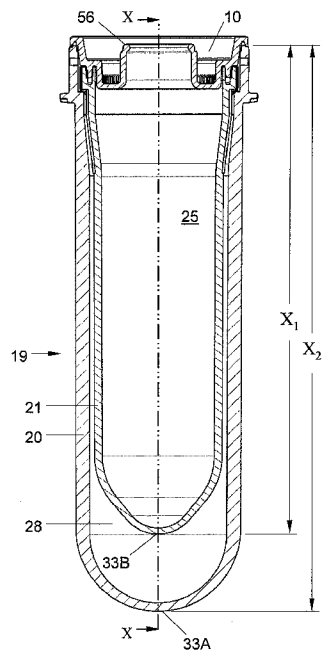


Fig. 7B

(57) Abstract: Container of a bag-in-container type, wherein a neck region of the container is provided with at least one opening extending substantially radially there through, into a space between the outer container and an inner container adjacent thereto, wherein: the neck region is provided with coupling elements, preferably at opposite sides of said at least one opening, seen in circumferential direction, for coupling of a connecting device to the container for introducing a pressure fluid through said at least one opening into a space between the inner and outer container; and/or the at least one opening is provided with or forming part of a first coupler for coupling a pressure fluid feed line to said opening, for pressurising a space between the inner and outer container.



— *before the expiration of the time limit for amending the claims and to be republished in the event of receipt of amendments (Rule 48.2(h))*

(88) Date of publication of the international search report:
20 March 2014

INTERNATIONAL SEARCH REPORT

International application No
PCT/NL2013/050557

A. CLASSIFICATION OF SUBJECT MATTER
INV. B67D1/04 B67D1/08 B67D7/02 B29C49/06
ADD.

According to International Patent Classification (IPC) or to both national classification and IPC

B. FIELDS SEARCHED

Minimum documentation searched (classification system followed by classification symbols)
B67D B29C

Documentation searched other than minimum documentation to the extent that such documents are included in the fields searched

Electronic data base consulted during the international search (name of data base and, where practicable, search terms used)

EPO-Internal, WPI Data

C. DOCUMENTS CONSIDERED TO BE RELEVANT

Category*	Citation of document, with indication, where appropriate, of the relevant passages	Relevant to claim No.
X	EP 2 165 968 A1 (INBEV SA [BE]) 24 March 2010 (2010-03-24) paragraphs [0013], [0015], [0028] - [0030]; figures -----	1,6, 11-13, 31,32
X	EP 1 803 657 A1 (V A P S R L [IT]) 4 July 2007 (2007-07-04) paragraphs [0029] - [0037], [0079] - [0086]; figures -----	1,6, 11-13, 31,32
X	WO 2011/006212 A1 (COOPERS BREWERY LTD [AU]; BURGE PAUL ANDREW [AU]; WALLACE ALLAN K [AU]) 20 January 2011 (2011-01-20) page 1, line 35 - page 3, line 32; figures ----- -/--	1,6, 11-13, 31,32

Further documents are listed in the continuation of Box C. See patent family annex.

* Special categories of cited documents :

"A" document defining the general state of the art which is not considered to be of particular relevance	"T" later document published after the international filing date or priority date and not in conflict with the application but cited to understand the principle or theory underlying the invention
"E" earlier application or patent but published on or after the international filing date	"X" document of particular relevance; the claimed invention cannot be considered novel or cannot be considered to involve an inventive step when the document is taken alone
"L" document which may throw doubts on priority claim(s) or which is cited to establish the publication date of another citation or other special reason (as specified)	"Y" document of particular relevance; the claimed invention cannot be considered to involve an inventive step when the document is combined with one or more other such documents, such combination being obvious to a person skilled in the art
"O" document referring to an oral disclosure, use, exhibition or other means	"&" document member of the same patent family
"P" document published prior to the international filing date but later than the priority date claimed	

Date of the actual completion of the international search 16 January 2014	Date of mailing of the international search report 03/02/2014
--	--

Name and mailing address of the ISA/ European Patent Office, P.B. 5818 Patentlaan 2 NL - 2280 HV Rijswijk Tel. (+31-70) 340-2040, Fax: (+31-70) 340-3016	Authorized officer Müller, Claus
--	---

INTERNATIONAL SEARCH REPORT

International application No

PCT/NL2013/050557

C(Continuation). DOCUMENTS CONSIDERED TO BE RELEVANT		
Category*	Citation of document, with indication, where appropriate, of the relevant passages	Relevant to claim No.
X	US 2008/260978 A1 (VAN HOVE SARAH [BE] ET AL) 23 October 2008 (2008-10-23) paragraphs [0029], [0030], [0045]; figures -----	14, 24-29, 31,32
A	WO 91/12196 A1 (AG PATENTS LTD [GB]) 22 August 1991 (1991-08-22) abstract; figures -----	1,32
A	US 2008/257847 A1 (VAN HOVE SARAH [BE] ET AL) 23 October 2008 (2008-10-23) abstract; figures -----	1,32
A	US 2008/258356 A1 (VAN HOVE SARAH [BE] ET AL) 23 October 2008 (2008-10-23) paragraphs [0023] - [0026]; figures -----	14
A	WO 2009/088285 A1 (DISPENSING TECHNOLOGIES BV [NL]; MAAS WILHELMUS JOHANNES JOSEPH [NL];) 16 July 2009 (2009-07-16) page 4, line 4 - page 5, line 20; figures 1-3,13-17 -----	14

INTERNATIONAL SEARCH REPORT

International application No.
PCT/NL2013/050557

Box No. II Observations where certain claims were found unsearchable (Continuation of item 2 of first sheet)

This international search report has not been established in respect of certain claims under Article 17(2)(a) for the following reasons:

1. Claims Nos.:
because they relate to subject matter not required to be searched by this Authority, namely:

2. Claims Nos.:
because they relate to parts of the international application that do not comply with the prescribed requirements to such an extent that no meaningful international search can be carried out, specifically:

3. Claims Nos.:
because they are dependent claims and are not drafted in accordance with the second and third sentences of Rule 6.4(a).

Box No. III Observations where unity of invention is lacking (Continuation of item 3 of first sheet)

This International Searching Authority found multiple inventions in this international application, as follows:

see additional sheet

1. As all required additional search fees were timely paid by the applicant, this international search report covers all searchable claims.

2. As all searchable claims could be searched without effort justifying an additional fees, this Authority did not invite payment of additional fees.

3. As only some of the required additional search fees were timely paid by the applicant, this international search report covers only those claims for which fees were paid, specifically claims Nos.:

4. No required additional search fees were timely paid by the applicant. Consequently, this international search report is restricted to the invention first mentioned in the claims; it is covered by claims Nos.:

Remark on Protest

- The additional search fees were accompanied by the applicant's protest and, where applicable, the payment of a protest fee.
- The additional search fees were accompanied by the applicant's protest but the applicable protest fee was not paid within the time limit specified in the invitation.
- No protest accompanied the payment of additional search fees.

FURTHER INFORMATION CONTINUED FROM PCT/ISA/ 210

This International Searching Authority found multiple (groups of) inventions in this international application, as follows:

1. claims: 1-13, 31, 32

Container of a bag-in-container type and tapping assembly comprising such a container

2. claims: 14-32

Set of preforms for forming a bag-in-container comprising an inner and an outer preform, method for forming such a container and tapping assembly with such a container.

INTERNATIONAL SEARCH REPORT

Information on patent family members

International application No

PCT/NL2013/050557

Patent document cited in search report	Publication date	Patent family member(s)	Publication date	
EP 2165968	A1	24-03-2010	AR 074253 A1	05-01-2011
			CN 102149627 A	10-08-2011
			EP 2165968 A1	24-03-2010
			EP 2337759 A2	29-06-2011
			RU 2011111785 A	27-10-2012
			US 2011248035 A1	13-10-2011
			WO 2010031764 A2	25-03-2010

EP 1803657	A1	04-07-2007	AT 457277 T	15-02-2010
			EP 1803657 A1	04-07-2007

WO 2011006212	A1	20-01-2011	AU 2010273188 A1	02-02-2012
			CN 102574673 A	11-07-2012
			GB 2484624 A	18-04-2012
			US 2012187153 A1	26-07-2012
			WO 2011006212 A1	20-01-2011

US 2008260978	A1	23-10-2008	AR 063001 A1	23-12-2008
			AU 2008240668 A1	30-10-2008
			CA 2681777 A1	30-10-2008
			CN 101663141 A	03-03-2010
			EP 2146832 A1	27-01-2010
			KR 20100015985 A	12-02-2010
			NZ 580022 A	29-06-2012
			RU 2009142613 A	27-05-2011
			US 2008260978 A1	23-10-2008
			US 2010330313 A1	30-12-2010
			WO 2008129018 A1	30-10-2008

WO 9112196	A1	22-08-1991	AU 655411 B2	22-12-1994
			AU 7301691 A	03-09-1991
			AU 7740594 A	22-12-1994
			CA 2075374 A1	07-08-1991
			EP 0513205 A1	19-11-1992
			GB 2256680 A	16-12-1992
			IE 910374 A1	14-08-1991
			NZ 237027 A	25-11-1993
			WO 9112196 A1	22-08-1991
			ZA 9100889 A	30-10-1991

US 2008257847	A1	23-10-2008	AR 065324 A1	03-06-2009
			AT 508857 T	15-05-2011
			AU 2008240748 A1	30-10-2008
			CA 2682124 A1	30-10-2008
			CN 101663149 A	03-03-2010
			DK 2152494 T3	15-08-2011
			EP 2152494 A1	17-02-2010
			ES 2369479 T3	01-12-2011
			HR P20110560 T1	31-12-2011
			KR 20100016183 A	12-02-2010
			NZ 580020 A	25-11-2011
			RS 52063 B	30-06-2012
			RU 2009142614 A	27-05-2011
			US 2008257847 A1	23-10-2008
			US 2010243596 A1	30-09-2010
			WO 2008129015 A1	30-10-2008

US 2008258356	A1	23-10-2008	AR 062904 A1	17-12-2008

INTERNATIONAL SEARCH REPORT

Information on patent family members

International application No

PCT/NL2013/050557

Patent document cited in search report	Publication date	Patent family member(s)	Publication date
		AT 523307 T	15-09-2011
		AU 2008240746 A1	30-10-2008
		CA 2681834 A1	30-10-2008
		CN 101663144 A	03-03-2010
		DK 2152486 T3	05-12-2011
		EP 2152486 A1	17-02-2010
		ES 2371224 T3	28-12-2011
		HR P20110772 T1	31-12-2011
		KR 20100015905 A	12-02-2010
		NZ 580023 A	29-06-2012
		RS 52122 B	31-08-2012
		RU 2009142610 A	27-05-2011
		US 2008258356 A1	23-10-2008
		US 2010227089 A1	09-09-2010
		WO 2008129013 A1	30-10-2008

WO 2009088285	A1	16-07-2009	
		CA 2711599 A1	16-07-2009
		CN 102007050 A	06-04-2011
		EP 2238047 A1	13-10-2010
		JP 2011509219 A	24-03-2011
		NL 1034895 C2	13-07-2009
		US 2011024450 A1	03-02-2011
		WO 2009088285 A1	16-07-2009
