



US00D541810S

(12) **United States Design Patent** (10) **Patent No.:** **US D541,810 S**  
**Cummins et al.** (45) **Date of Patent:** **\*\* May 1, 2007**

(54) **PORTION OF A DISPLAY SCREEN**  
(75) Inventors: **Charles Cummins**, Seattle, WA (US);  
**Greg S. Melander**, Redmond, WA  
(US); **Mark R. Ligameri**, Snohomish,  
WA (US)  
(73) Assignee: **Microsoft Corporation**, Redmond, WA  
(US)  
(\*\*) Term: **14 Years**

4,970,664 A \* 11/1990 Kaiser et al. .... 715/804  
5,299,307 A \* 3/1994 Young ..... 715/861  
5,396,621 A \* 3/1995 MacGregor et al. .... 715/809  
5,412,774 A \* 5/1995 Agrawal et al. .... 715/804  
5,452,406 A \* 9/1995 Butler et al. .... 345/426  
5,513,306 A \* 4/1996 Mills et al. .... 715/530  
D392,963 S \* 3/1998 Coleman ..... D14/489  
D397,687 S \* 9/1998 Arora et al. .... D14/489  
D401,920 S 12/1998 Murphy et al.

(Continued)

(21) Appl. No.: **29/228,361**  
(22) Filed: **Apr. 22, 2005**

*Primary Examiner*—M. H. Tung  
*Assistant Examiner*—Susan Moon Lee  
(74) *Attorney, Agent, or Firm*—Banner & Witcoff, Ltd.

(51) **LOC (8) Cl.** ..... **14-04**  
(52) **U.S. Cl.** ..... **D14/487**  
(58) **Field of Classification Search** ..... 715/500.1,  
715/501.1, 526, 530–31, 539, 708, 711, 717,  
715/723, 726, 733, 738, 753, 762, 763–4,  
715/767–69, 778–82, 788, 790, 793–94,  
715/797–8, 802–10, 835–40, 848–845, 862–63,  
715/976, 978; 345/757, 782, 848, 852, 850,  
345/809, 837, 798, 752, 163, 156, 537, 474,  
345/836, 419, 649, 656, 659, 426, 427, 582,  
345/428, 440, 660, 634, 902, 418, 629; D14/485–94;  
D18/24–33; D21/324–33; 434/43, 38; 382/305;  
400/76; 710/5, 73; 707/102, 2; 463/32, 16;  
717/170; 705/26, 27  
See application file for complete search history.

(57) **CLAIM**

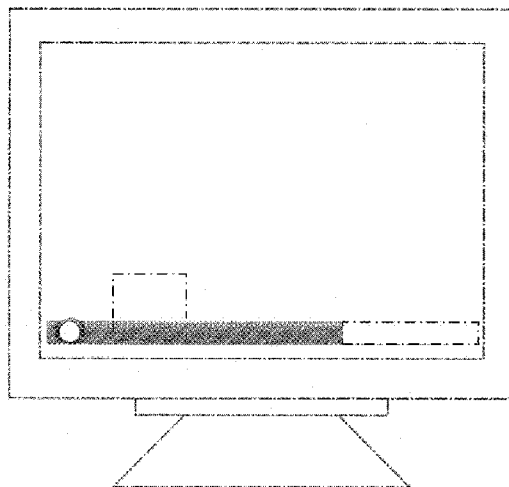
We claim the ornamental design for a portion of a display screen, as shown and described.

**DESCRIPTION**

FIG. 1 is a front view of an image for a portion of a display screen showing our new design.  
FIG. 2 is a front view thereof with region labeled “A” and annexed with broken line to indicate where the enlargement of FIG. 3 is taken from; and,  
FIG. 3 is an enlarged view for clarity of region A indicated in FIG. 2.  
The broken line showing of a square, a display screen and the remainder of the taskbar in FIGS. 1, 2 are for illustrative purposes only and form no part of the claimed design. Additionally, the broken line circular region within the taskbar button forms no part of the claimed design.

(56) **References Cited**  
U.S. PATENT DOCUMENTS  
4,912,657 A \* 3/1990 Saxton et al. .... 715/853

**1 Claim, 3 Drawing Sheets**



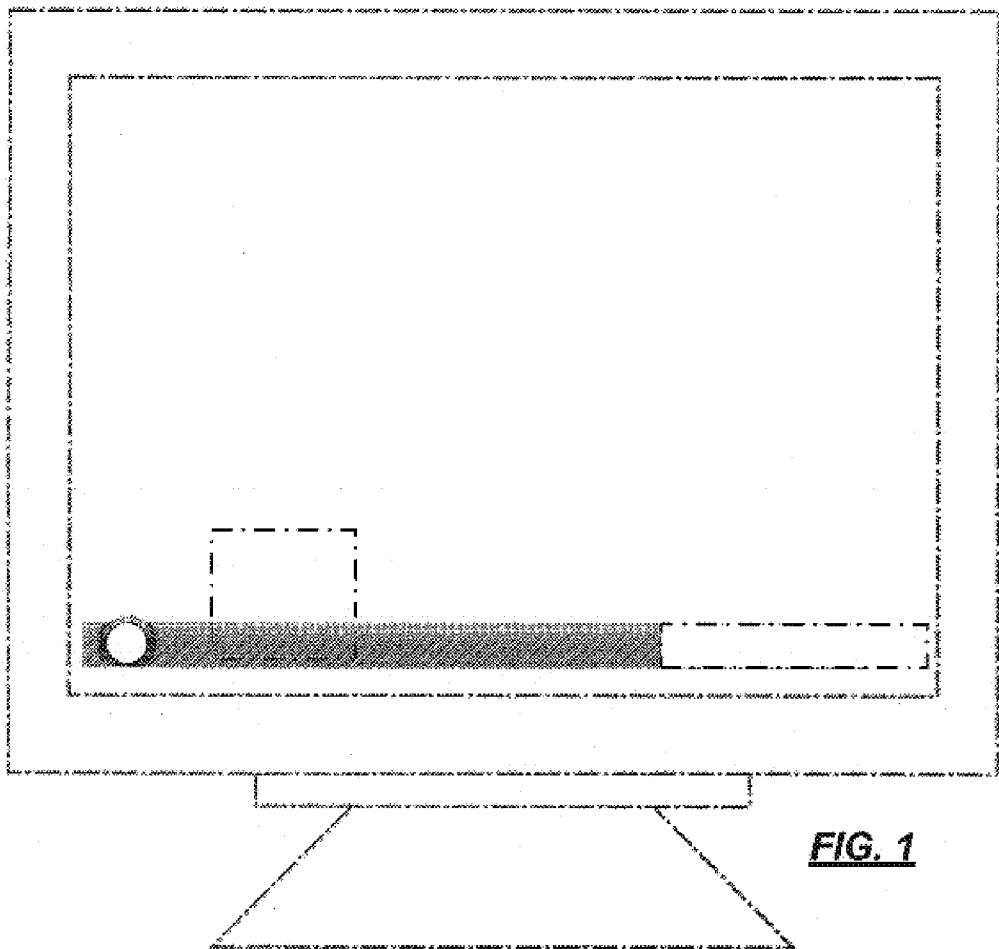
# US D541,810 S

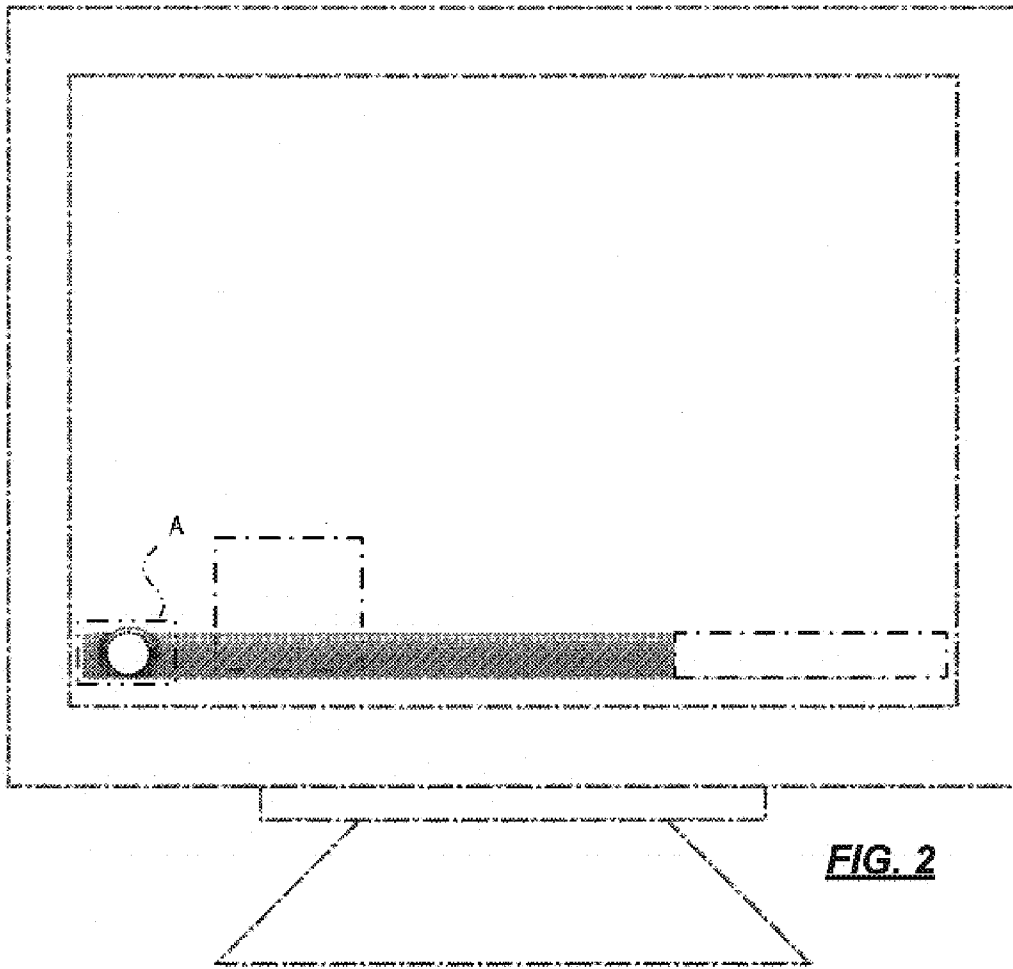
Page 2

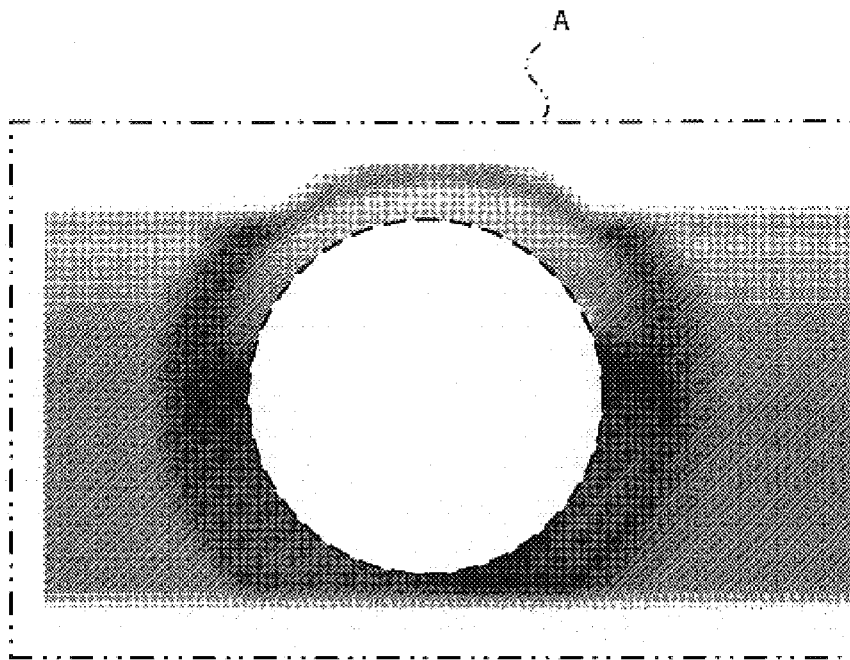
## U.S. PATENT DOCUMENTS

D402,284 S	*	12/1998	Coleman	.....	D14/487				
D404,385 S	*	1/1999	Hodgson	.....	D14/486				
5,889,523 A	*	3/1999	Wilcox et al.	.....	715/854				
5,910,800 A	*	6/1999	Shields et al.	.....	715/711				
D416,241 S	*	11/1999	Faris et al.	.....	D14/487				
D419,981 S	*	2/2000	Coleman	.....	D14/487				
D424,037 S	*	5/2000	Coleman	.....	D14/487				
D424,543 S	*	5/2000	Hodgson	.....	D14/487				
D435,561 S	*	12/2000	Pettigrew et al.	.....	D14/487				
6,191,786 B1	*	2/2001	Eyzaguirre et al.	.....	715/853				
D443,597 S	*	6/2001	Coleman	.....	D14/486				
D445,427 S	*	7/2001	Faris et al.	.....	D14/487				
D450,059 S		11/2001	Itou						
D450,324 S		11/2001	Istvan et al.						
D454,574 S	*	3/2002	Wasko et al.	.....	D14/487				
D475,063 S		5/2003	Horie						
6,593,945 B1	*	7/2003	Nason et al.	.....	715/779				
D481,736 S		11/2003	Ombao et al.						
D486,834 S		2/2004	Allen et al.						
6,718,519 B1	*	4/2004	Taieb	.....	715/542				
D501,212 S		1/2005	Lam et al.						
D501,483 S		2/2005	Anthony et al.						
D506,475 S		6/2005	Lam et al.						
D507,276 S		7/2005	Lam et al.						
D508,919 S		8/2005	Lam et al.						
2002/0015063 A1	*	2/2002	Kopitzke et al.	.....	345/810				
2003/0107605 A1	*	6/2003	Iwamura	.....	345/810				
2003/0117446 A1	*	6/2003	Esposito-Ross et al.	....	345/810				
2003/0132966 A1	*	7/2003	Simas et al.	.....	345/764				
2003/0142141 A1	*	7/2003	Brown et al.	.....	345/805				
2004/0032393 A1	*	2/2004	Brandenberg et al.	.....	345/156				
2004/0032394 A1	*	2/2004	Ayatsuka et al.	.....	345/156				
2004/0036721 A1	*	2/2004	Anderson et al.	.....	345/848				

\* cited by examiner







**FIG. 3**