



US00D720775S

(12) **United States Design Patent**  
**Swanson et al.**

(10) **Patent No.:** **US D720,775 S**

(45) **Date of Patent:** **\*\* \*Jan. 6, 2015**

(54) **ADAPTER FOR A MODULAR VISCOUS FAN CLUTCH SYSTEM**

2007/0023248 A1\* 2/2007 Nguyen et al. .... 192/43  
2013/0014617 A1\* 1/2013 Kafka ..... 81/125  
2013/0199886 A1\* 8/2013 Heath et al. .... 192/104 R

(71) Applicant: **Kit Masters**, Perham, MN (US)

**OTHER PUBLICATIONS**

(72) Inventors: **Craig Swanson**, Perham, MN (US);  
**Dale Scherman**, Perham, MN (US)

U.S. Appl. No. 29/467,160, filed Sep. 16, 2013, Swanson, et al.  
U.S. Appl. No. 29/467,163, filed Sep. 16, 2013, Swanson, et al.  
U.S. Appl. No. 29/467,162, filed Sep. 16, 2013, Swanson, et al.  
U.S. Appl. No. 29/467,165, filed Sep. 16, 2013, Swanson, et al.  
U.S. Appl. No. 29/467,167, filed Sep. 16, 2013, Swanson, et al.  
U.S. Appl. No. 29/467,156, filed Sep. 16, 2013, Swanson, et al.  
U.S. Appl. No. 29/467,151, filed Sep. 16, 2013, Swanson, et al.  
U.S. Appl. No. 29/467,154, filed Sep. 16, 2013, Swanson, et al.  
U.S. Appl. No. 29/467,161, filed Sep. 16, 2013, Swanson, et al.

(73) Assignee: **Kit Masters**, Perham, MN (US)

(\* ) Notice: This patent is subject to a terminal disclaimer.

\* cited by examiner

(\*\*) Term: **14 Years**

(21) Appl. No.: **29/467,164**

*Primary Examiner* — T. Chase Nelson

*Assistant Examiner* — Ania Aman

(22) Filed: **Sep. 16, 2013**

(74) *Attorney, Agent, or Firm* — Oblon, Spivak, McClelland, Maier & Neustadt, L.L.P.

**Related U.S. Application Data**

(63) Continuation of application No. 13/843,703, filed on Mar. 15, 2013.

(51) **LOC (10) Cl.** ..... **15-01**

(52) **U.S. Cl.**

USPC ..... **D15/5**

(58) **Field of Classification Search**

USPC ..... D15/1-6; D8/330, 331, 382, 387, 396;  
123/41.12; 192/82 T, 84 C, 58.61, 58.8;  
476/11; 29/592.1, 889.1, 889.3,  
29/402.09, 804.08, 402.12, 402.14, 469,  
29/428; 74/325

See application file for complete search history.

(57) **CLAIM**

The ornamental design for an adapter for a modular viscous fan clutch system, as shown and described.

**DESCRIPTION**

FIG. 1 is a perspective view of an adapter for a modular viscous fan clutch system;

FIG. 2 is a front elevational view thereof;

FIG. 3 is a rear elevational view thereof;

FIG. 4 is a left side elevational view thereof, the right side elevational view thereof being a mirror image of the left side elevational view;

FIG. 5 is a top plan view thereof, the bottom plan view thereof being a mirror image of the top plan view; and,

FIG. 6 is a cross-sectional view thereof along the line 6-6 in FIG. 2.

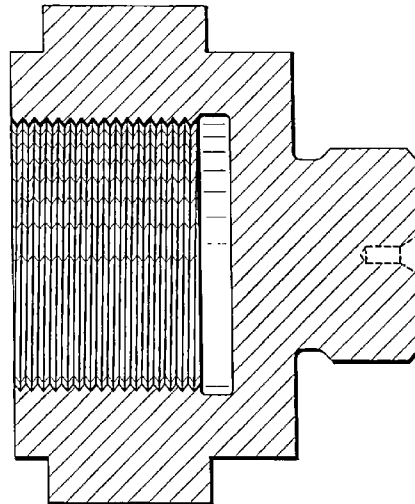
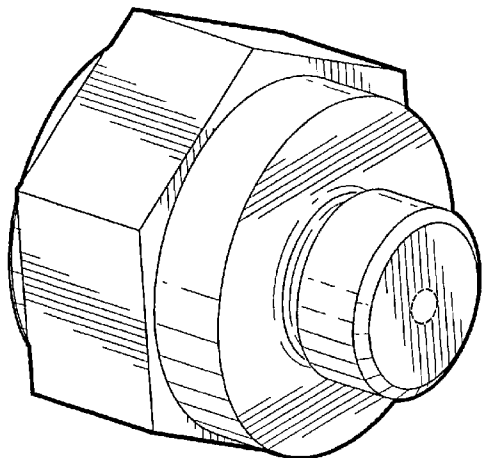
The broken lines in the drawings depict environmental subject matter only and form no part of the claimed design.

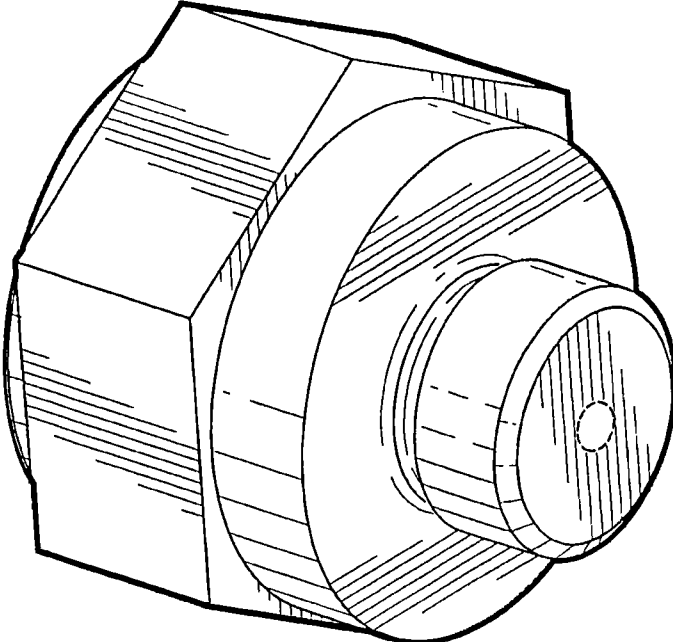
(56) **References Cited**

**U.S. PATENT DOCUMENTS**

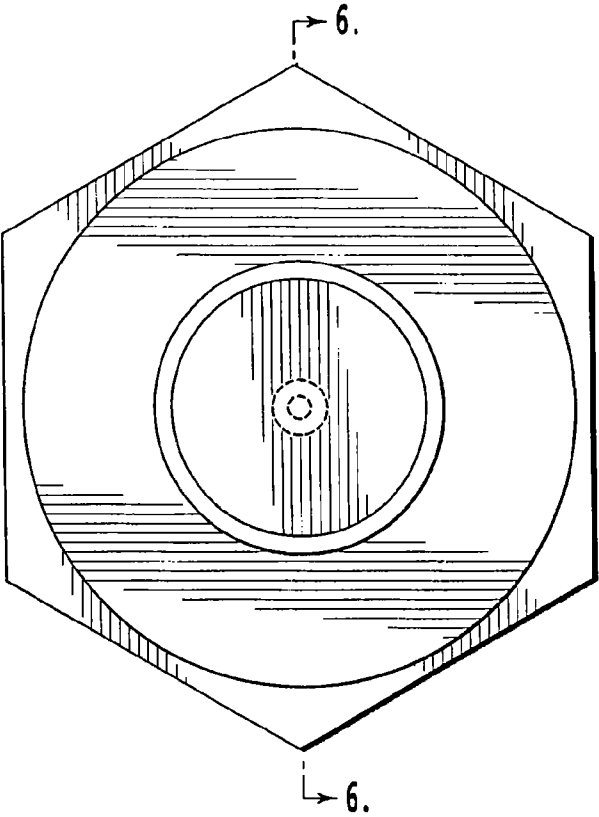
D311,131 S \* 10/1990 Saito ..... D8/397  
7,165,514 B2 \* 1/2007 Bowman et al. .... 123/41.12  
2004/0110594 A1 \* 6/2004 Goto ..... 475/150

**1 Claim, 6 Drawing Sheets**

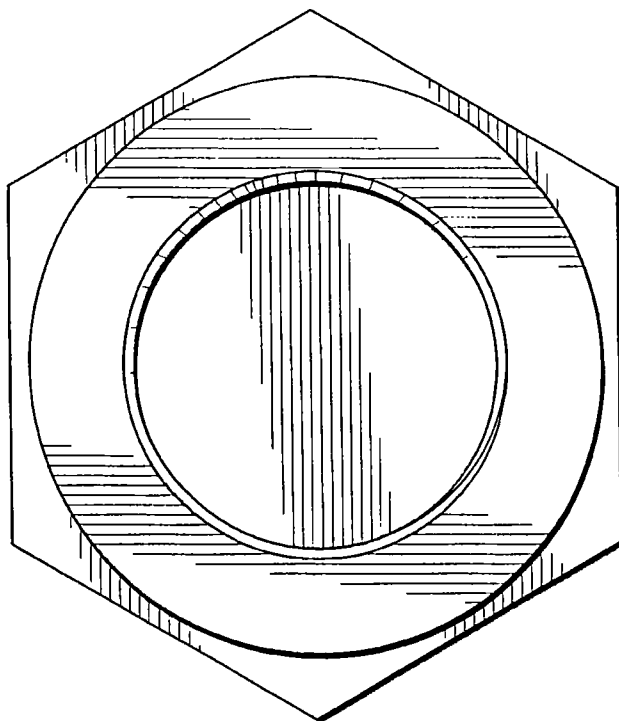




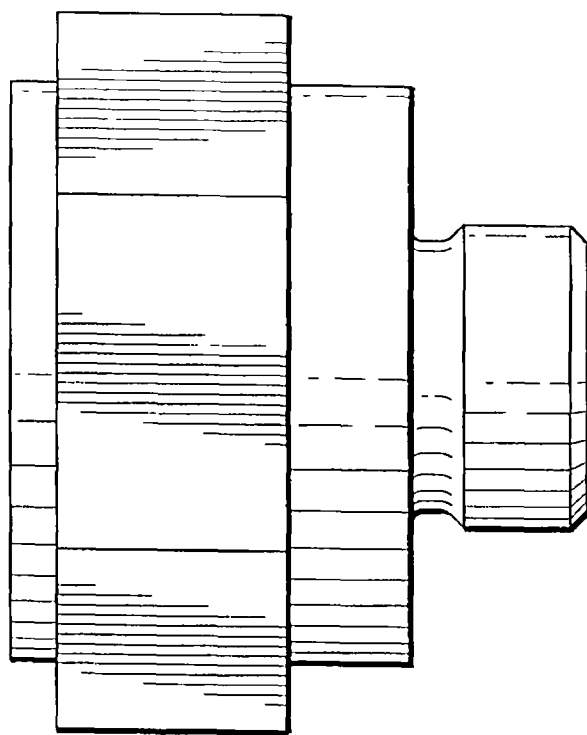
*Fig. 1*



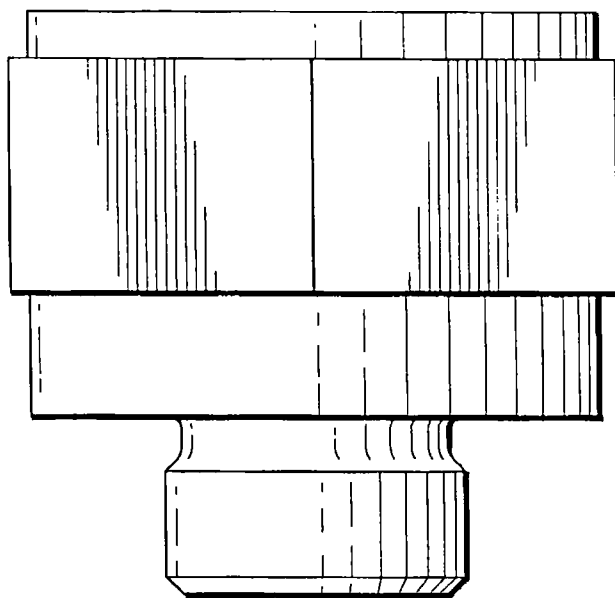
**Fig. 2**



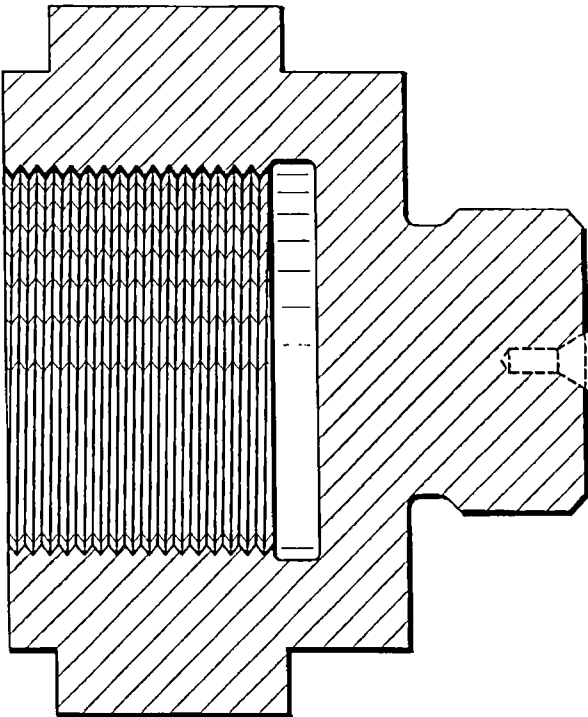
*Fig. 3*



*Fig. 4*



*Fig. 5*



*Fig. 6*

UNITED STATES PATENT AND TRADEMARK OFFICE  
**CERTIFICATE OF CORRECTION**

PATENT NO. : D720,775 S  
APPLICATION NO. : 29/467164  
DATED : January 6, 2015  
INVENTOR(S) : Swanson et al.

Page 1 of 1

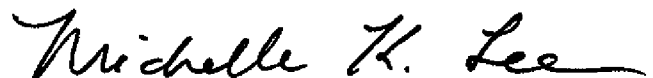
It is certified that error appears in the above-identified patent and that said Letters Patent is hereby corrected as shown below:

On the title page Item (63), should read:

**--Related U.S. Application Data**

(63) Continuation of application No. 13/843,703, filed on Mar. 15, 2013,  
now Pat. No. 8,745,867, which claims benefit of 61/752,067 filed on  
Jan. 14, 2013 and claims benefit of 61/754,728, filed on Jan. 21, 2013--

Signed and Sealed this  
Fifth Day of May, 2015



Michelle K. Lee  
*Director of the United States Patent and Trademark Office*