

(19) World Intellectual Property Organization  
International Bureau



(43) International Publication Date  
28 February 2002 (28.02.2002)

PCT

(10) International Publication Number  
WO 02/17100 A1

(51) International Patent Classification<sup>7</sup>: G06F 15/16, 15/177, 11/08

(21) International Application Number: PCT/US01/22450

(22) International Filing Date: 16 July 2001 (16.07.2001)

(25) Filing Language: English

(26) Publication Language: English

(30) Priority Data:  
60/227,722 24 August 2000 (24.08.2000) US

(71) Applicant: 2WIRE, INC. [US/US]; 1704 Automation Parkway, San Jose, CA 95131 (US).

(72) Inventor: LO, Kwoktung, B.; 2Wire, Inc., 1704 Automation Parkway, San Jose, CA 95131 (US).

(74) Agents: SCHEPLER, Wendi R. et al.; Carr & Ferrell LLP, 2225 East Bayshore Road, Suite 200, Palo Alto, CA 94303 (US).

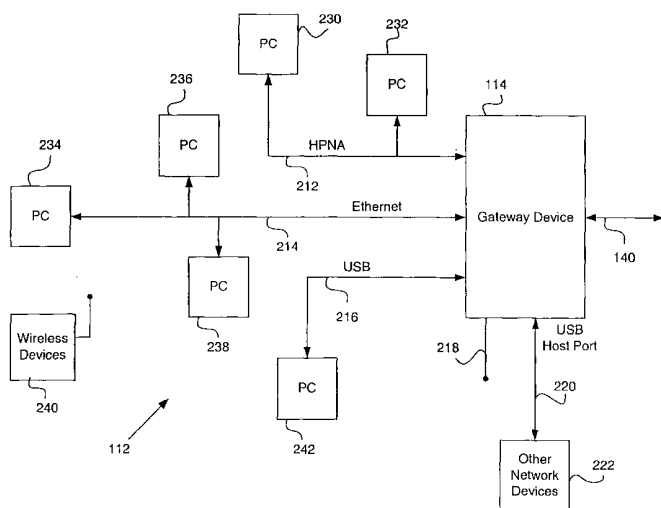
(81) Designated States (*national*): AE, AG, AL, AM, AT, AU, AZ, BA, BB, BG, BR, BY, BZ, CA, CH, CN, CR, CU, CZ, DE, DK, DM, DZ, EE, ES, FI, GB, GD, GE, GH, GM, HR, HU, ID, IL, IN, IS, JP, KE, KG, KP, KR, KZ, LC, LK, LR, LS, LT, LU, LV, MA, MD, MG, MK, MN, MW, MX, MZ, NO, NZ, PL, PT, RO, RU, SD, SE, SG, SI, SK, SL, TJ, TM, TR, TT, TZ, UA, UG, UZ, VN, YU, ZA, ZW.

(84) Designated States (*regional*): ARIPO patent (GH, GM, KE, LS, MW, MZ, SD, SL, SZ, TZ, UG, ZW), Eurasian patent (AM, AZ, BY, KG, KZ, MD, RU, TJ, TM), European patent (AT, BE, CH, CY, DE, DK, ES, FI, FR, GB, GR, IE, IT, LU, MC, NL, PT, SE, TR), OAPI patent (BF, BJ, CF, CG, CI, CM, GA, GN, GW, ML, MR, NE, SN, TD, TG).

Published:  
— with international search report

For two-letter codes and other abbreviations, refer to the "Guidance Notes on Codes and Abbreviations" appearing at the beginning of each regular issue of the PCT Gazette.

(54) Title: SYSTEM AND METHOD FOR SELECTIVELY BRIDGING AND ROUTING DATA PACKETS BETWEEN MULTIPLE NETWORKS



(57) Abstract: A system and method to permit efficient communication between multiple devices having different network protocols (212, 214, 216) and to permit a private network device (230, 232, 234, 236, 238, 242) to conduct a direct PPPoE session without restricting other devices (222) on the private network (112) from using another IP address. In particular, a gateway device (114) is provided that translates and routes data packets between devices of different network protocols by referring to a table of device addresses and physical port information. Advantageously, the gateway device (114) may maintain the table dynamically. An entry is created for a device the first time it sends a packet over the network (112), and an entry is deleted if a device has not sent a packet for a predetermined time interval. If no entry exists corresponding to a packet's destination, the packet is sent to all devices on the network (112). Finally, the gateway device (114) also identifies the ethertype of data packets and routes them accordingly.



WO 02/17100 A1

**SYSTEM AND METHOD FOR SELECTIVELY BRIDGING AND  
ROUTING DATA PACKETS BETWEEN MULTIPLE NETWORKS**

5

CROSS-REFERENCE TO RELATED APPLICATION

This application is related to, and claims the benefit of, U.S. Provisional Patent Application Serial No. 60/227,722, entitled "System And Method for Selectively Bridging and Routing Data Packets Between Multiple Networks," filed August 24, 2000, the subject matter of which is  
10 hereby incorporated by reference.

BACKGROUND

1. Technical Field

15 The present system and method generally relate to electronic networks, and more particularly to a system and method for selectively bridging and routing data packets between multiple networks.

2. Description of the Background Art

20 Network devices frequently transmit and receive data according to certain protocols. For example, network devices may communicate with each other using protocols such as USB, HomePNA, Ethernet, AppleTalk, HomeRF wireless, 802.11b wireless, and the like. However, configuring and managing a network that permits devices that use different protocols  
25 to communicate with each other can be burdensome and expensive.

Moreover, in some network configurations, multiple network devices are coupled to a gateway, which interfaces the multiple network devices with a public network, such as the Internet. Commonly, such a gateway will have a public, or routable, IP address and will serve as a proxy for the  
30 multiple network devices that sit behind the gateway. Pursuant to this configuration, each of the multiple network devices has a private IP address that is valid only on the private network. It may be desirable, or

necessary, in some instances, however for one or more of the multiple network devices that reside behind the gateway to conduct a direct PPPoE (Point-to-Point Protocol over Ethernet) session over the Internet.

Accordingly, a need exists for a system and method by which  
5 multiple devices having different protocols may efficiently communicate with each other. An additional need exists for a system and method by which a private network device can conduct a direct PPPoE session over the Internet through a gateway device.

10

### SUMMARY OF THE INVENTION

A system and method are disclosed to permit efficient communication between multiple devices having different network protocols and to permit a private network device to conduct a direct  
5 PPPoE session without restricting other devices on the network from using another IP address.

In general, the invention provides a gateway device that couples multiple physical networks. These physical networks may include both private networks, such as home networks, and public networks, such as  
10 the Internet. The various devices connected to the physical networks may each use different network protocols. The gateway device stores a device address and physical port information of the various devices and uses this information to translate and route data packets between the various devices. In addition, the gateway device identifies the ethertype of data  
15 packets and routes them accordingly, which enables a device on a private network to conduct a PPPoE session without interfering with the ability of another device on the private network to use a different IP address.

According to one embodiment, the gateway device stores the device address and physical port information as a dynamic look-up table in  
20 random access memory. The gateway device creates a table entry for each device the first time the device sends a data packet over the network and deletes the entry if the device does not send a data packet for a predetermined length of time.

Then, as the gateway device receives data packets, it refers to the  
25 look-up table to determine the physical port information for the destination device of the packet. The gateway device then translates the data packet using a device driver and sends the data packet to the physical port corresponding to the destination device. If the look-up table contains no entry corresponding to the destination device, the gateway  
30 device sends the data packet to all devices on the network.

Other advantages and features of the invention will be apparent from the drawings and detailed descriptions as set forth below.

BRIEF DESCRIPTION OF THE DRAWINGS

FIG. 1 is a block diagram of one embodiment of an electronic network;

FIG. 2 is a block diagram of one embodiment of the private network  
5 and the gateway device of FIG. 1;

FIG. 3 is a block diagram of one embodiment of the gateway device of FIG. 2;

FIG. 4 is a block diagram of one embodiment of the random access memory of FIG. 3;

10 FIG. 5 is a block diagram of another embodiment of the random access memory of FIG. 3;

FIG. 6 is a flowchart of method steps for bridging data packets between devices on a private network, according to one embodiment;

15 FIG. 7 is a flowchart of method steps for routing data packets between a device on a private network and a public network, according to one embodiment; and

FIG. 8 is a flowchart of method steps for routing data packets between a device on a private network and a public network, according to another embodiment.

20

### DETAILED DESCRIPTION OF THE DRAWINGS

FIG. 1 is a block diagram of one embodiment of an electronic network. A home 110 is connected via a broadband link 140 to a public network 120 that communicates with a broadband access concentrator 130. Home 110 includes a private network 112 that communicates via a gateway device 114 and broadband link 140 with public network 120.

Broadband link 140 may be implemented as a digital subscriber line (DSL) link, a digital cable link, or any other type of broadband communication link. Private network 112 and gateway device 114 are further discussed below.

FIG. 2 is a block diagram of one embodiment of the private network 112 and the gateway device 114 of FIG. 1. As illustrated, the private network 112 comprises a bridged network having several physical networks, including a Home Phoneline Networking Alliance (HPNA or HomePNA) physical network 212, an Ethernet physical network 214, a Universal Serial Bus (USB) device physical network 216, a wireless physical network 218, and a USB host physical network 220. Personal computers (PC) 230 and 232 are connected to HPNA network 212 and communicate with gateway device 114 using an HPNA protocol. Personal computers (PC) 234, 236, and 238 are connected to Ethernet network 214 and communicate with gateway device 114 using an Ethernet protocol. PC 242 is connected to USB network 216 and communicates with gateway device 114 using a USB protocol. Although PCs are shown in FIG. 2, any networking device may be used in private network 112, including Apple Macintosh® computers, which may employ the AppleTalk protocol, printers, scanners, telephony equipment, and the like.

Wireless devices 240 communicate with gateway device 114 via wireless network 218 using any appropriate wireless communication protocol, such as HomeRF or 802.11b. Other network devices 222 may be connected to USB host network 220. For example, a USB-to-powerline

networking device may be connected to gateway device 114 via USB host network 220.

Gateway device 114 allows each PC or other device in private network 112 to communicate with any other device on the bridged private network 112. Gateway device 114 creates a virtual one-wire private  
5 network where each device appears to be connected to every other device, even though devices may be connected to different ports of gateway device 114 and may use different protocols.

Gateway device 114 achieves this virtual one-wire network by  
10 translating the protocol of each packet it receives into the protocol used by the receiving device. For example, if PC 230 sends a packet to PC 238, gateway device 114 receives an HPNA packet from PC 230, translates that packet into an Ethernet packet, and then sends the Ethernet packet to PC 238. This translation process is invisible to PCs 230 and 238. Gateway  
15 device 114 transmits a packet to the destination device over the physical network to which the destination device is connected and in the protocol of that physical network.

FIG. 3 is a block diagram of one embodiment of the gateway device  
20 of FIG. 2. Gateway device 114 includes, but is not limited to, an HPNA physical layer (PHY) 312, an Ethernet PHY 314, a USB host PHY 315, a USB Device PHY 316, a wireless PHY 317, a broadband PHY 318, network controllers 320, a random access memory (RAM) 330, and a central  
processing unit (CPU) 340. Each of the PHYs 312-318 further comprises  
25 a port or a logical extension thereof.

Network controllers 320 include an HPNA Media Access Control (MAC) 322, an Ethernet MAC 324, a USB Host MAC 325, a USB Device  
MAC 326, a wireless MAC 327, and a broadband MAC 328. The various  
MACs may be embodied in one or more integrated circuit packages. Each  
30 MAC of network controllers 320 communicates with RAM 330 using a direct memory access (DMA) transfer. Software modules stored in RAM

330, in conjunction with CPU 340, control the transfer of packets among the various ports of gateway device 114.

Each packet received by gateway device 114 is translated first into an Ethernet packet, except for packets received on Ethernet port 214. A  
5 network device driver (not shown) for each port is configured to convert the native packet type into an Ethernet packet, and convert an Ethernet packet into the native packet type. Techniques for this conversion are not discussed here as they are known in the art.

10 FIG. 4 is a block diagram of one embodiment of the random access memory of FIG. 3. The FIG. 4 embodiment of RAM 330(a) includes, but is not limited to, a MAC table 412, a bridging module 414, and an IP routing module 416. When gateway device 114 initially starts up, MAC table 412 is empty. When one of the devices in private network 112 sends a packet,  
15 gateway device 114 receives that packet and bridging module 414 creates an entry in MAC table 412. The table entry includes the MAC address for the device and the logical port of gateway device 114 that received the packet. For example, if PC 230 sends a packet, bridging module 414 will create an entry in MAC table 412 that includes the MAC address of PC  
20 230 and a number associated with and identifying the port, or logical extension thereof, through which the gateway 114 received the packet, in this case the HomePNA port 312. Each network device has a unique MAC address.

The contents of MAC table 412 are dynamic. Any device that is  
25 added to private network 112 will be added to MAC table 412 as soon as the network device transmits a packet received by gateway 114 via one of the ports 312-317 (FIG. 3). Also, if no packet is received from a device for a predetermined time, then the entry in MAC table 412 for that device will be deleted.

30 Bridging module 414 uses the contents of MAC table 412 to send each packet to the correct destination. Bridging module 414 finds the MAC address of the destination device specified in a transmitted packet,

and looks up that MAC address in MAC table 412 to determine the port of the destination device. Bridging module 414 then sends the transmitted packet to the appropriate device driver (not shown) for conversion into the appropriate format. If there is no entry in MAC table 412 for the  
5 destination device, bridging module 414 sends the Ethernet packet to all of the ports of gateway device 114. Thus, transmitted packets do not always have to be broadcast to all network devices; rather, they can be sent to only the physical network to which the destination device is connected.

10 IP routing module 416 controls the routing of packets between the private network 112 and the public network 120. Packets traveling across the public network are typically routed using Internet Protocol (IP). Packets received by gateway device 114 are converted to Ethernet packets and those with an ethertype of IP are forwarded to the broadband device  
15 driver (not shown). The broadband device driver converts the Ethernet packet into the type of packet utilized by broadband link 140.

FIG. 5 is a block diagram of another embodiment of the random access memory of FIG. 3. RAM 330(b) includes, but is not limited to, MAC  
20 table 412, private network bridging module 414, IP routing module 416, a Point-to-Point Protocol over Ethernet (PPPoE) MAC table 512, and a PPPoE module 516.

The FIG. 5 embodiment of RAM 330(b) supports PPPoE connections between a device in private network 112 and broadband access  
25 concentrator 130 (FIG. 1). A PPPoE connection typically requires a public, or routable, IP address and allows for activities such as secure telecommuting. However, Internet service providers typically only provide one IP address to home 110. PPPoE MAC table 512 and PPPoE module 516 allows a device on private network 112 to use a public IP address and  
30 bypass the IP translation of gateway device 114. Thus, one device on private network 112 may use one public IP address for a PPPoE

connection without restricting other devices on private network 112 from accessing the Internet using another public IP address.

A conventional PPPoE software package may be installed on one or more PCs in private network 112. For example, a PPPoE software package  
5 may be installed on PC 230. During a PPPoE session, PC 230 sends HPNA packets to gateway device 114. Gateway device 114 converts the HPNA packets to Ethernet packets as described above. PPPoE module 516 recognizes the ethertype of these packets as PPPoE and, in response, bridges such packets. PPPoE packets typically have an Ethertype (byte  
10 12, 13) of 0x8863 and 0x8864. PPPoE module 516 creates an entry in PPPoE MAC table 512 that includes the MAC address of PC 230 and the port type. The Ethernet packets are then sent to the broadband port driver for conversion into broadband-type packets.

When gateway device 114 receives PPPoE session packets from  
15 broadband link 140, the broadband port driver converts the incoming packets into Ethernet packets. PPPoE module 516 identifies the ethertype as PPPoE and looks up the port type of the destination device in PPPoE MAC table 512. PPPoE module then sends the Ethernet package to the appropriate port driver for conversion. PPPoE packets destined for PC 230  
20 will be sent to the HPNA port driver, converted into HPNA packets, and then sent over HPNA port 212 to PC 230.

FIG. 6 is a flowchart of example method steps for bridging data packets between devices on a private network, according to one  
25 embodiment. In FIG. 6, PC 230 is sending a packet to PC 242. In step 612, PC 230 sends an HPNA packet that, in step 614, is received by gateway device 114. In step 616, the network device driver for HPNA port 212 converts the HPNA packet into an Ethernet packet. In step 618, bridging module 214 identifies the port associated with of the destination  
30 device specified in the Ethernet packet using MAC table 212. In the FIG. 6 embodiment, the destination device is PC 242 and its port is the USB device PHY 316.

Next, in step 620, bridging module 214 forwards the Ethernet packet to the network device driver for the destination port. In step 622, the network device driver converts the Ethernet packet into its port type, in this case USB. Then, in step 624, the converted packet is sent to the destination over the appropriate port, or in this case the port 316, to the associated physical network 216 to the PC 242.

FIG. 7 is a flowchart of method steps for routing data packets between a device on a private network and a public network, according to one embodiment. In the FIG. 7 embodiment, PC 242 is sending a packet to public network 120 via broadband link 140. In step 712, PC 242 sends a packet on USB device physical network 216. In step 714, gateway device 114 receives the USB packet. Then, in step 716, the network device driver for USB port 316 converts the USB packet into an Ethernet packet. In step 717, gateway device 114 identifies the port of the destination device using MAC table 412; here the destination device is broadband access concentrator 130.

In step 718, IP routing module 416 recognizes the ethertype of the received packet as IP. Next, in step 720, routing module 416 forwards the Ethernet packet to the network device driver for broadband link 140. In step 722, the network device driver for broadband link 140 converts the Ethernet packet into the broadband port type. Then, in step 724, the broadband packet is sent to public network 120 via broadband link 140.

FIG. 8 is a flowchart of method steps for forwarding, or bridging, data packets between a device on a private network and a public network, according to another embodiment. In the FIG. 8 embodiment, PC 230 is communicating with broadband access concentrator 130 using a PPPoE session. First, in step 812, PC 230 sends an HPNA packet. In step 814, gateway device 114 receives the HPNA packet from HPNA port 212. Next, in step 816, the HPNA network port driver converts the HPNA packet into an Ethernet packet. In step 817, gateway device 114 identifies the port of

the destination device using MAC table 412; here the destination device is broadband access concentrator 130.

In step 818, PPPoE module 516 recognizes the ethertype of the received packet as PPPoE. The Ethernet packet thus does not undergo an  
5 IP routing process and is forwarded to the broadband network port driver in step 820. In step 822, the broadband network port driver converts the received packet into the destination port type, which may be ADSL. Then, in step 824, the converted packet is sent over broadband link 140 to broadband access concentrator 130.

10

The invention has been explained above with reference to specific embodiments. It will, however, be evident that various modifications and changes may be made thereto without departing from the broader spirit and scope of the invention as set forth in the appended claims. The  
15 foregoing description and drawings are, accordingly, to be regarded in an illustrative rather than a restrictive sense.

WHAT IS CLAIMED IS

1. A system for selectively bridging and routing data packets between a plurality of devices coupled to multiple physical networks, comprising:
  - 5 a gateway device coupling the multiple physical networks, the gateway device comprising:
    - a physical port for coupling to each of the multiple physical networks;
    - a network device driver for each physical port configured to  
10 convert data packets back and forth between an Ethernet protocol and a network protocol of each physical port;
    - a bridging module for routing each data packet to the appropriate network device driver based on each data  
15 packet's intended destination; and
    - a look-up module for use by the bridging module to store device addresses and physical port information.
2. The system of claim 1, wherein one of the physical networks is a  
20 public network.
3. The system of claim 2, wherein the physical port for coupling to the public network is a broadband network connection.
- 25 4. The system of claim 2, wherein the gateway device further comprises an Internet Protocol (IP) module for identifying and routing IP data packets between the public network and the other networks.
5. The system of claim 3, wherein the gateway device further  
30 comprises an Internet Protocol (IP) module for identifying and routing IP data packets between the public network and the other networks.

6. The system of claim 1, wherein the look-up module comprises a dynamically allocable table including entries comprising a Media Access Control (MAC) address and an identifier of a corresponding physical port of each device.

5

7. The system of claim 1, wherein the look-up module comprises a dynamically allocable table including entries comprising a Media Access Control (MAC) address and an identifier of a corresponding logical extension of a physical port of each device.

10

8. The system of claim 6, wherein the dynamically allocable table further includes entries comprising a Media Access Control (MAC) address and an identifier of a corresponding logical extension of a physical port for each device.

15

9. A method for selectively bridging and routing data packets between a plurality of devices coupled to multiple physical networks, comprising the steps of:

receiving a data packet from a source device;

20

identifying a network protocol of the source device;

translating the data packet from the network protocol of the source device to an Ethernet protocol;

identifying a destination device of the data packet;

identifying a network protocol of the destination device;

25

translating the data packet from the Ethernet protocol to the network protocol of the destination device; and

sending the data packet to the destination device.

10. The method of claim 9, wherein the step of identifying the network protocol of the destination device includes referring to a look-up table that includes a device address and physical port information for each device.

30

11. The method of claim 10, further comprising the step of creating an entry in the look-up table each time a device first sends a data packet over one of the multiple physical networks.
- 5 12. The method of claim 10, further comprising the step of deleting an entry in the look-up table if the device corresponding to the entry does not send a data packet over one of the multiple physical networks for a predetermined length of time.
- 10 13. The method of claim 10, further comprising the step of sending the data packet to all devices coupled to the multiple physical networks if the look-up table does not contain an entry for the destination device of the data packet.
- 15 14. The method of claim 11, further comprising the step of deleting the entry in the look-up table if the device corresponding to the entry does not send a data packet over one of the multiple physical networks for a predetermined length of time.
- 20 15. The method of claim 11, further comprising the step of sending the data packet to all devices coupled to the multiple physical networks if the look-up table does not contain the entry for the destination device of the data packet.
- 25 16. The method of claim 12, further comprising the step of sending the data packet to all devices coupled to the multiple physical networks if the look-up table does not contain the entry for the destination device of the data packet.

17. The method of claim 14, further comprising the step of sending the data packet to all devices coupled to the multiple physical networks if the look-up table does not contain the entry for the destination device of the data packet.

5

18. A system for selectively bridging and routing data packets using Point-to-Point Protocol over Ethernet (PPPoE) between a device on a private network and a public network without restricting other devices on the private network from accessing the public network using another
- 5 Internet Protocol (IP) address, comprising:
- a gateway device coupling the private network and the public network,
  - the gateway device comprising:
    - a physical port for coupling to the private network;
    - 10 a physical port for coupling to the public network;
    - a network device driver for each physical port configured to convert data packets back and forth between an Ethernet protocol and a network protocol of the private network;
    - 15 a network device driver for each physical port configured to convert data packets back and forth between an Ethernet protocol and a network protocol of the public network;
    - a bridging module for routing each data packet to the
    - 20 appropriate network device driver based on each data packet's intended destination;
    - a look-up module for use by the bridging module to store device addresses and physical port information;
    - a PPPoE module for identifying and routing PPPoE data
    - 25 packets between the private network and the public network; and
    - a look-up module for use by the PPPoE module to store device addresses and physical port information.
- 30 19. The system of claim 18, wherein the physical port for coupling to the public network is a broadband network connection.

20. The system of claim 18, wherein the gateway device further comprises an Internet Protocol (IP) module for identifying and routing IP data packets between the public network and the private network.

5 21. The system of claim 19, wherein the gateway device further comprises an Internet Protocol (IP) module for identifying and routing IP data packets between the public network and the private network.

10 22. The system of claim 18, wherein the look-up module for use by the bridging module further comprises a dynamically allocable table including entries comprising a Media Access Control (MAC) address and an identifier of a corresponding physical port of each device.

15 23. The system of claim 18, wherein the look-up module for use by the bridging module further comprises a dynamically allocable table including entries comprising a Media Access Control (MAC) address and an identifier of a corresponding logical extension of a physical port of each device.

20 24. The system of claim 22, wherein the dynamically allocable table further includes entries comprising a Media Access Control (MAC) address and an identifier of a corresponding logical extension of a physical port for each device.

25 25. The system of claim 18, wherein the look-up module for use by the PPPoE module further comprises a dynamically allocable table including entries comprising a Media Access Control (MAC) address and an identifier of a corresponding physical port of each device.

26. The system of claim 18, wherein the look-up module for use by the PPPoE module further comprises a dynamically allocable table including entries comprising a Media Access Control (MAC) address and an identifier of a corresponding logical extension of a physical port of each  
5 device.

27. The system of claim 25, wherein the dynamically allocable table further includes entries comprising a Media Access Control (MAC) address and an identifier of a corresponding logical extension of a physical port for  
10 each device.

28. A method of selectively bridging and routing data packets using Point-to-Point Protocol over Ethernet (PPPoE) between a device on a private network and a public network without restricting other devices on  
15 the private network from accessing the public network using another Internet Protocol (IP) address, comprising:

receiving a data packet from a source device;  
identifying a network protocol of the source device;  
translating the data packet from the network protocol of the  
20 source device to an Ethernet protocol;  
identifying an ethertype of the data packet as PPPoE;  
identifying a destination device for the data packet;  
identifying a network protocol of the destination device;  
translating the data packet from an Ethernet protocol to the  
25 network protocol of the destination device; and  
sending the data packet to the destination device.

29. The method of claim 28, wherein the step of identifying the network protocol of the destination device includes referring to a look-up table  
30 including a device address and physical port information for each device.

30. The method of claim 29, further comprising the step of creating an entry in the look-up table each time a device first sends a data packet over the private network.
- 5 31. The method of claim 29, further comprising the step of deleting an entry in the look-up table if the device corresponding to the entry does not send a data packet over the private network for a predetermined length of time.
- 10 32. The method of claim 29, further comprising the step of sending the data packet to all devices coupled to the private network and the public network if the look-up table does not contain an entry for the destination device of the data packet.
- 15 33. The method of claim 30, further comprising the step of deleting the entry in the look-up table if the device corresponding to the entry does not send a data packet over the private network for a predetermined length of time.
- 20 34. The method of claim 30, further comprising the step of sending the data packet to all devices coupled to the private network and the public network if the look-up table does not contain the entry for the destination device of the data packet.
- 25 35. The method of claim 31, further comprising the step of sending the data packet to all devices coupled to the private network and the public network if the look-up table does not contain the entry for the destination device of the data packet.

36. The method of claim 33, further comprising the step of sending the data packet to all devices coupled to the private network and the public network if the look-up table does not contain the entry for the destination device of the data packet.

5

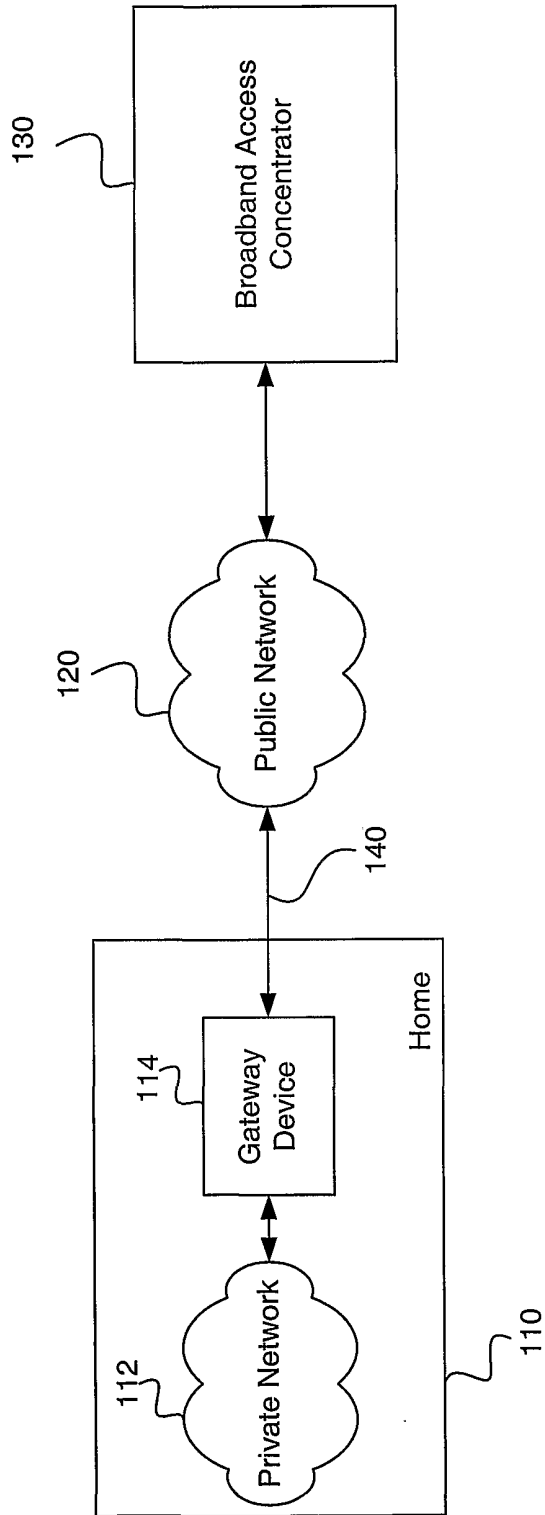


Fig. 1

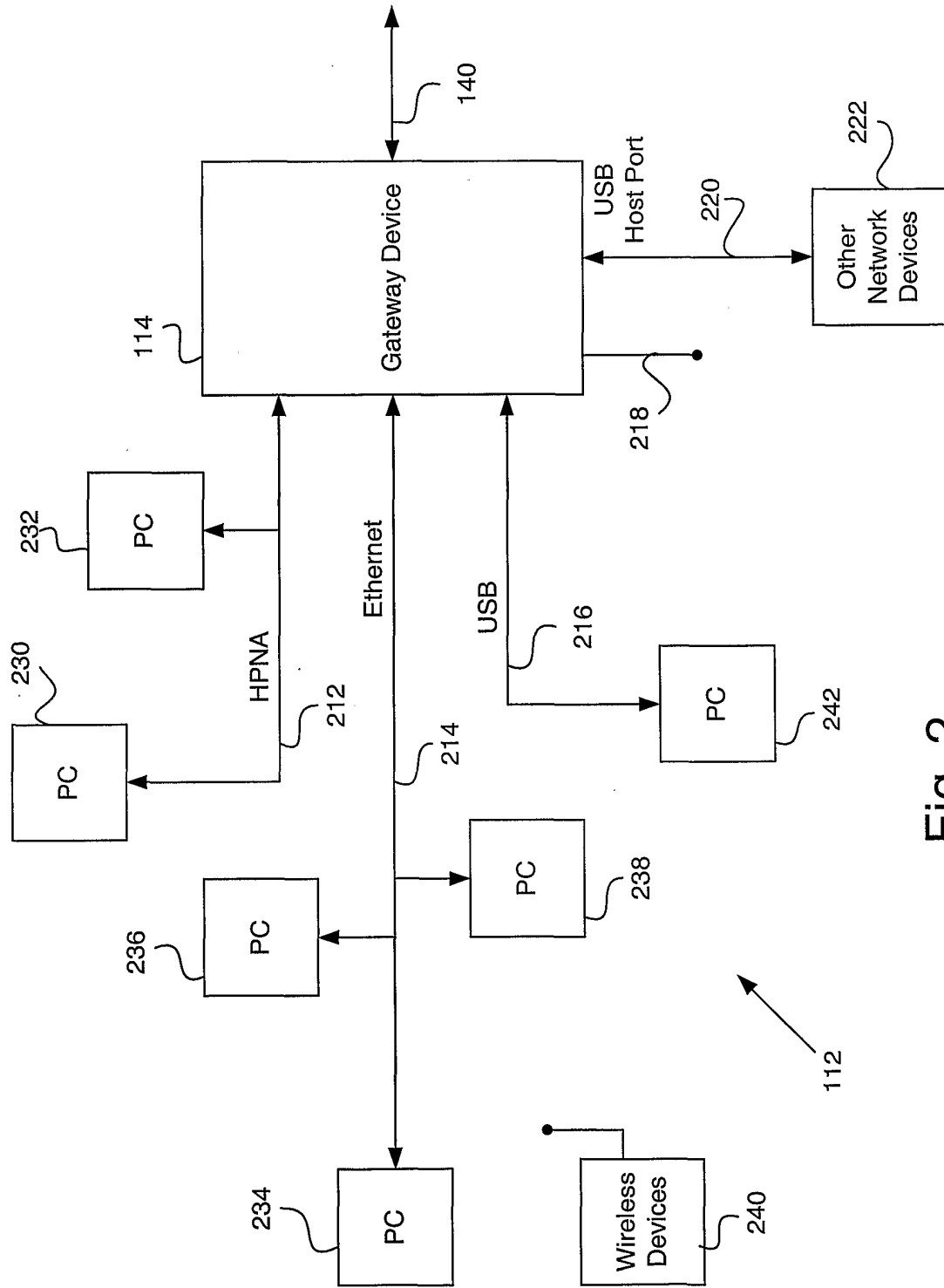


Fig. 2

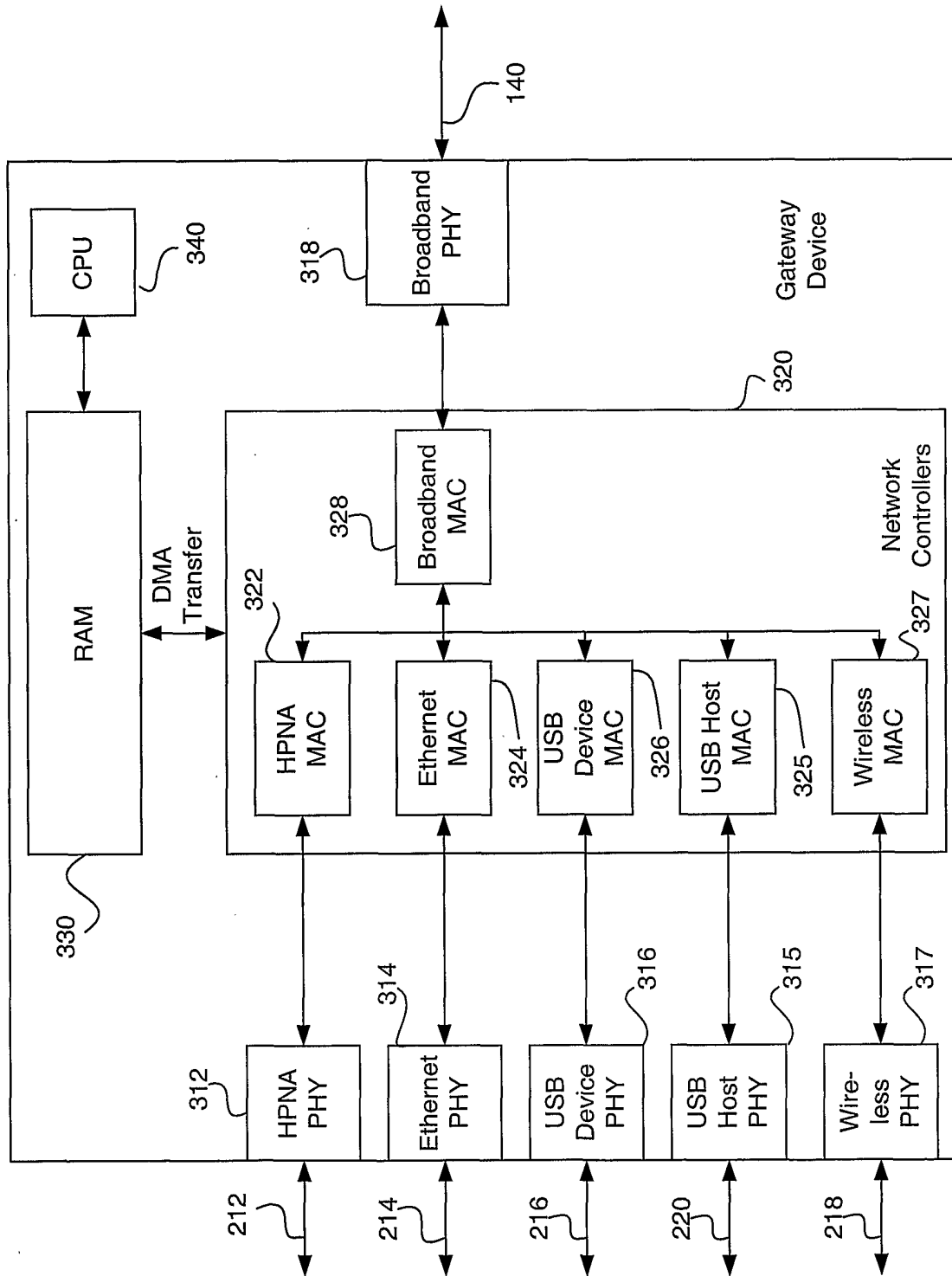


Fig. 3

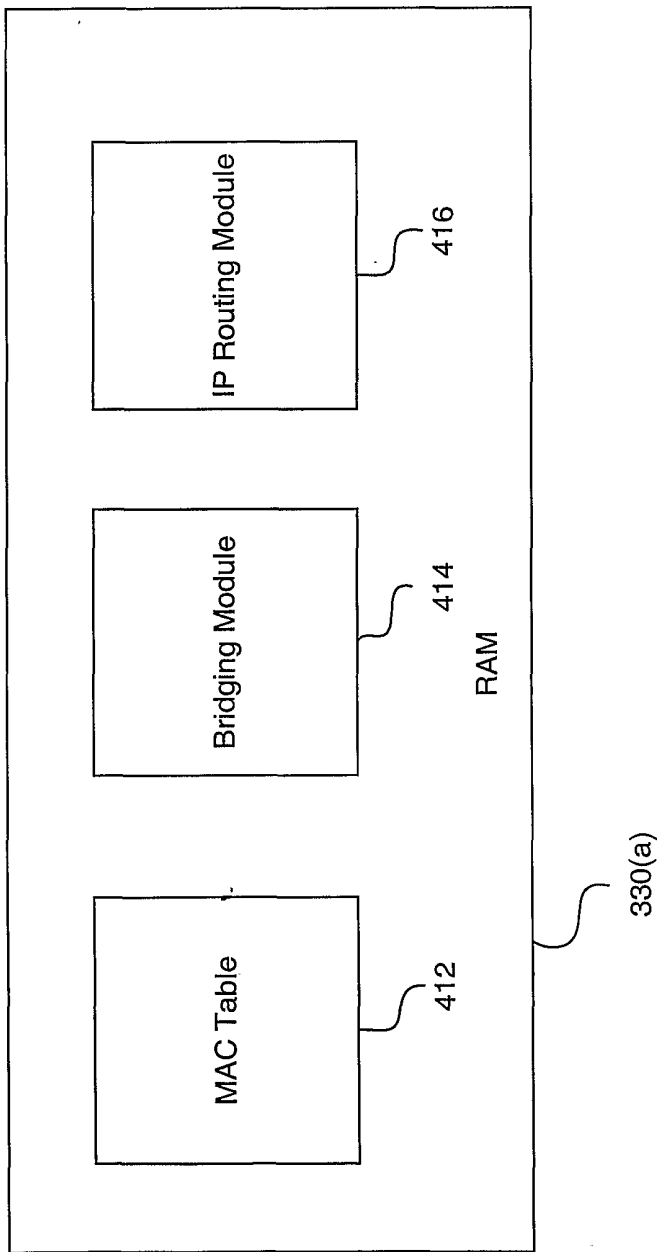


Fig. 4

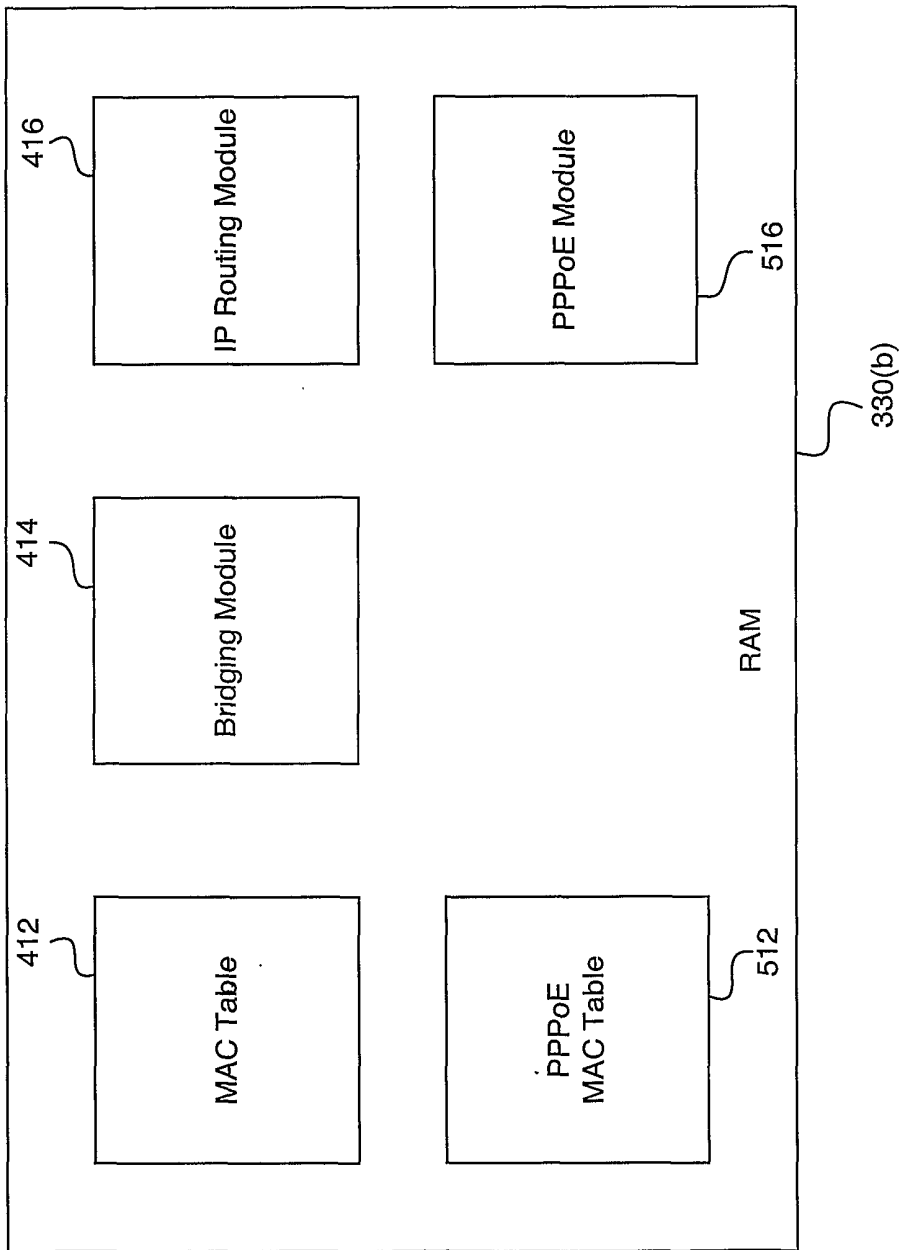


Fig. 5

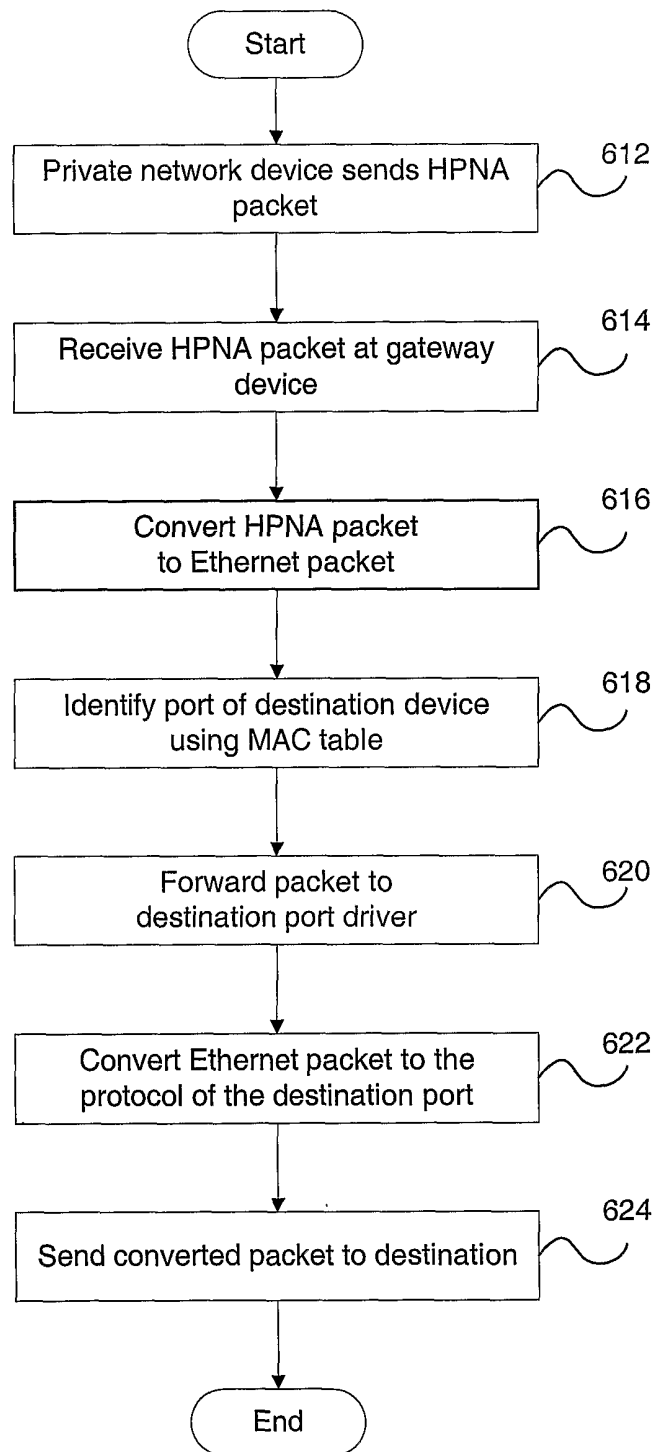


Fig. 6

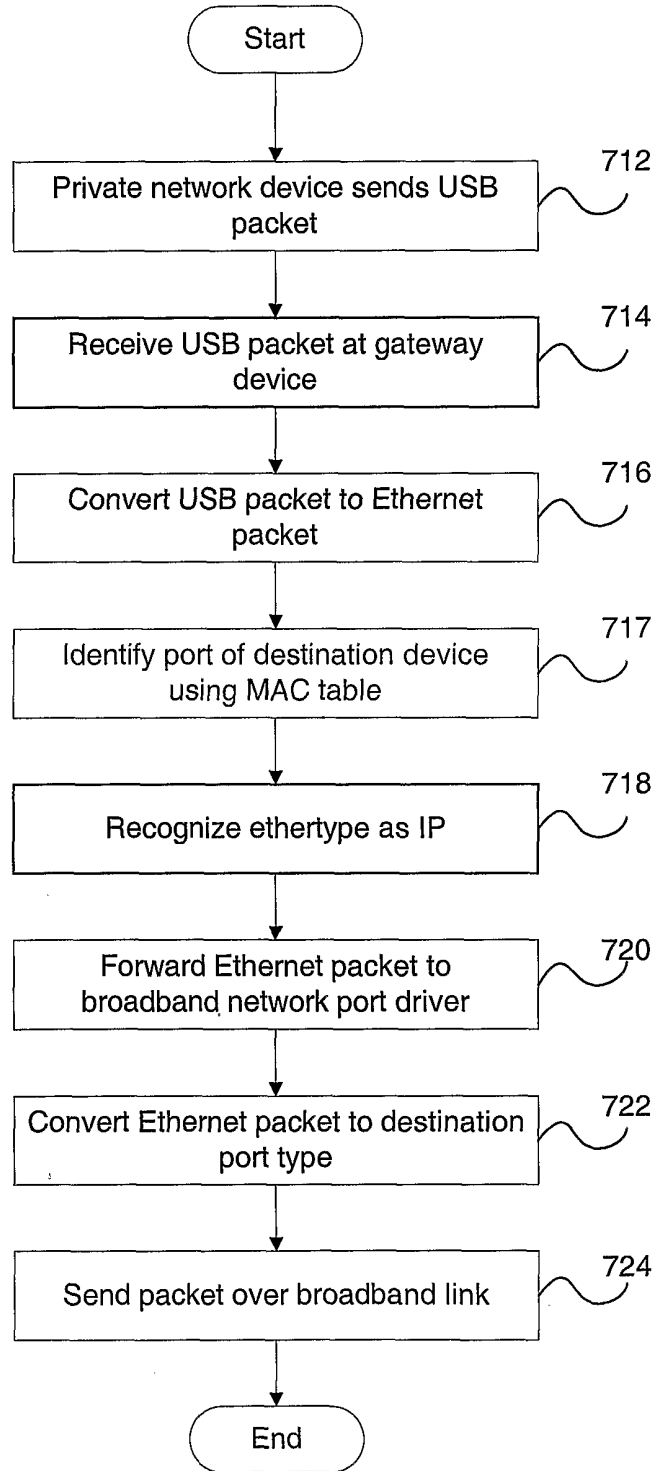


Fig. 7

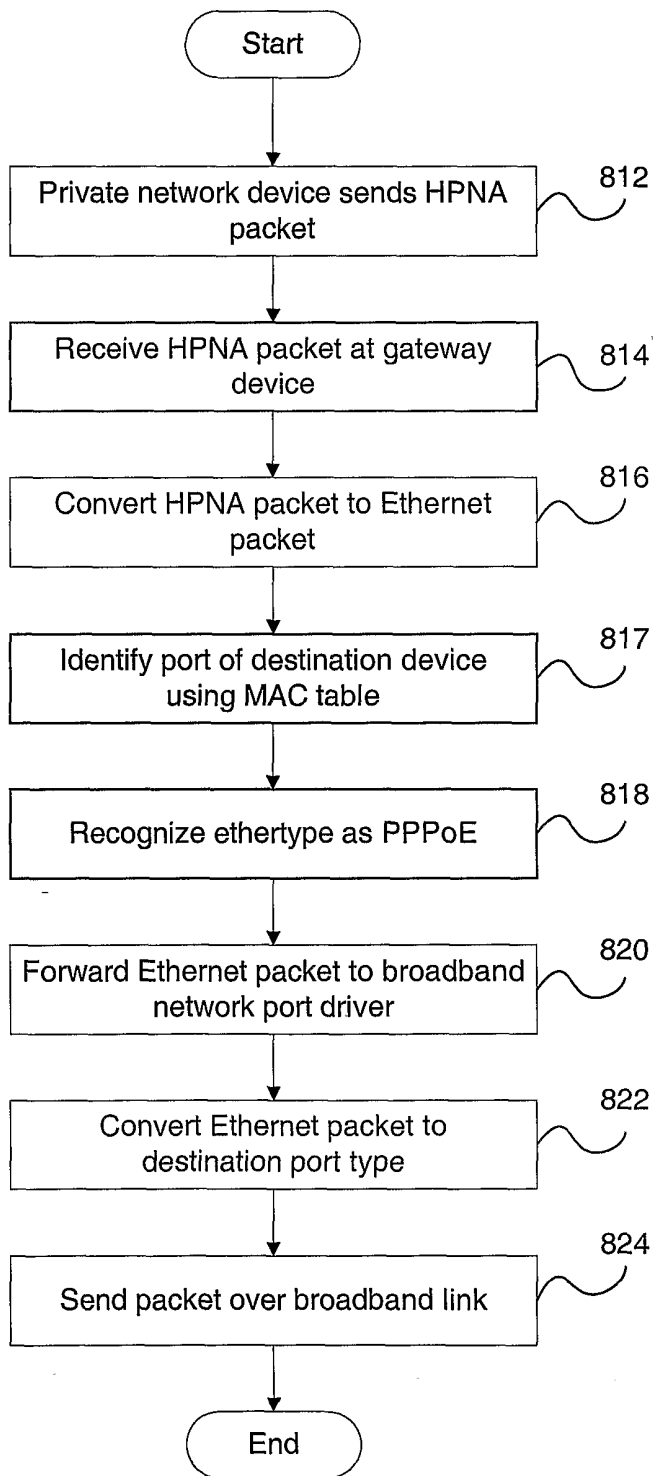


Fig. 8

**INTERNATIONAL SEARCH REPORT**

International application No.  
PCT/US01/22450

**A. CLASSIFICATION OF SUBJECT MATTER**  
 IPC(7) : G06F 15/16, 15/177, 11/08  
 US CL : 709/228, 229, 230, 249  
 According to International Patent Classification (IPC) or to both national classification and IPC

**B. FIELDS SEARCHED**  
 Minimum documentation searched (classification system followed by classification symbols)  
 U.S. : 709/228, 229, 230, 249

Documentation searched other than minimum documentation to the extent that such documents are included in the fields searched

Electronic data base consulted during the international search (name of data base and, where practicable, search terms used)  
 East  
 search terms: network, ethernet, TCP/IP, gateway, bridge, MAC, lookup table.

**C. DOCUMENTS CONSIDERED TO BE RELEVANT**

Category*	Citation of document, with indication, where appropriate, of the relevant passages	Relevant to claim No.
Y	US 5,826,032 A (FINN et al) 20 October 1998, col. 2, line 64 - col. 4, line 5, col. 4, line 37 - col.5, line 35.	1-36
Y	US 5,999,525 A (KRISHNASWAMY et al) 07 December 1999, col. 1, line 1-34.	1-36

Further documents are listed in the continuation of Box C.  See patent family annex.

* Special categories of cited documents:	"T" later document published after the international filing date or priority date and not in conflict with the application but cited to understand the principle or theory underlying the invention
"A" document defining the general state of the art which is not considered to be of particular relevance	"X" document of particular relevance; the claimed invention cannot be considered novel or cannot be considered to involve an inventive step when the document is taken alone
"B" earlier document published on or after the international filing date	"Y" document of particular relevance; the claimed invention cannot be considered to involve an inventive step when the document is combined with one or more other such documents, such combination being obvious to a person skilled in the art
"L" document which may throw doubts on priority claim(s) or which is cited to establish the publication date of another citation or other special reason (as specified)	"&" document member of the same patent family
"O" document referring to an oral disclosure, use, exhibition or other means	
"P" document published prior to the international filing date but later than the priority date claimed	

Date of the actual completion of the international search 14 NOVEMBER 2001	Date of mailing of the international search report <b>13 DEC 2001</b>
---	--

Name and mailing address of the ISA/US Commissioner of Patents and Trademarks Box PCT Washington, D.C. 20231 Facsimile No. (703) 305-3230	Authorized officer <i>Paul Kang</i> PAUL KANG Telephone No. (703) 305-9000
---	---