

(21) Application No: 1703593.2
 (22) Date of Filing: 07.03.2017

(51) INT CL: H02N 2/02 (2006.01)
 (56) Documents Cited: JP 2008172967 A US 20050005722 A1
 (58) Field of Search: INT CL H02N
 Other: EPODOC, WPI, Patent Fulltext

(71) Applicant(s):
Stratec Biomedical AG
 Gewerbestr 37, 75217 Birkenfeld, Germany

(72) Inventor(s):
Tibor Horvarth
Jens Großmann

(74) Agent and/or Address for Service:
24IP Law Group Sonnenberg Fortmann
 Charlottenstraße 80, 10117, Berlin, Germany

(54) Title of the Invention: **Piezo motor driven device**
 Abstract Title: **Geared piezoelectric motor drive**

(57) A piezoelectric motor drive 1 comprises a movable gear rack 5 having a toothed structure on its longitudinal sides, and at least three or four actuators 30 each having a tooth 4 and arranged such that at least one actuator is present on each longitudinal side of the gear rack, wherein each actuator is connected with an end of a piezo bender 2. The piezo benders are actuated sequentially to engage the teeth of each actuator sequentially and vertically into the gear rack toothed structure to move the gear rack in one of two directions depending on the actuation sequence. The gear rack may be moved linearly. Each of the actuators may have a central part 3 enclosed by an actuator arm 30 having its tooth for engaging with the gear rack at one end and a spring-loaded mechanism 33 on the other end. The gear rack may move along a guide rail 40 and be symmetrically toothed. The drive mechanism of the piezoelectric motor is form-locked and avoids step losses and undefined step sizes caused by environmental conditions such as temperature, surface quality and air humidity.

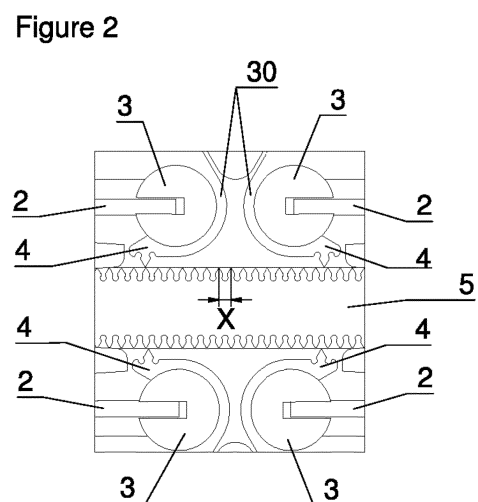
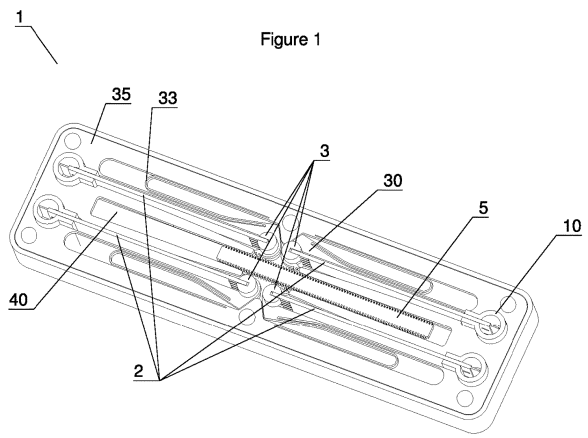


Figure 1

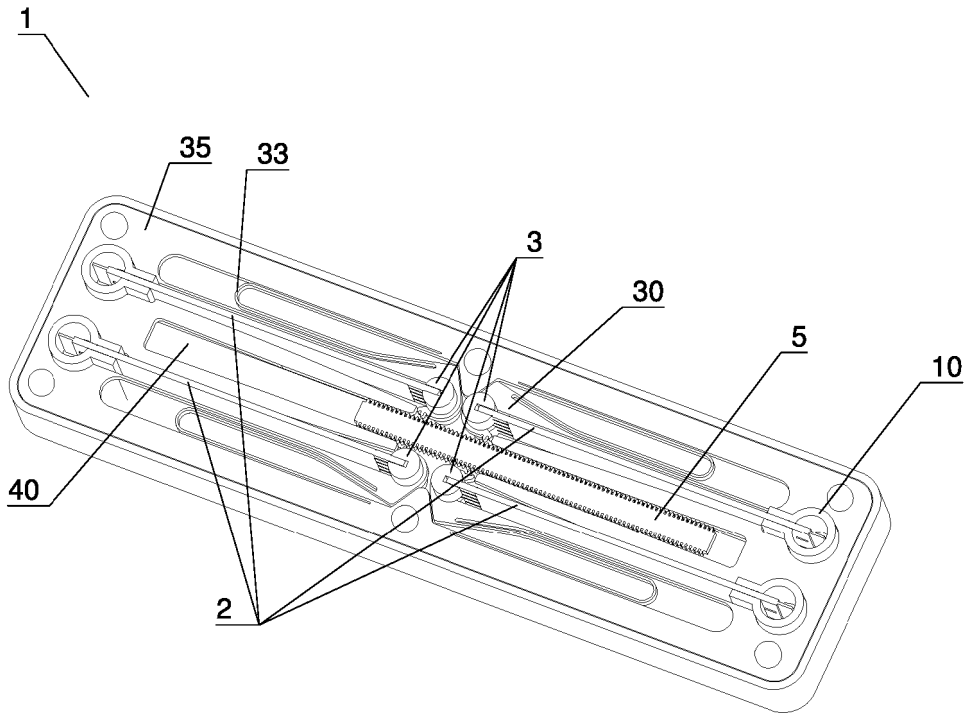


Figure 2

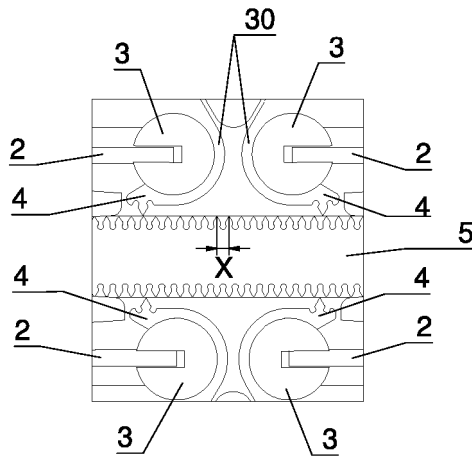
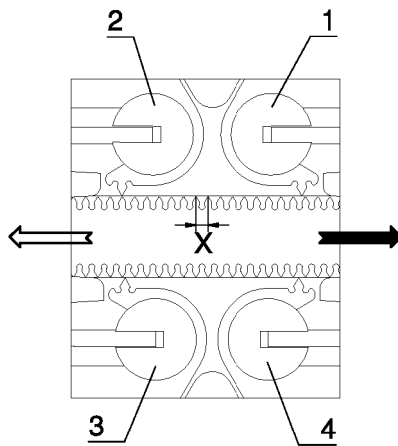


Figure 3



PIEZO MOTOR DRIVEN DEVICE

Description

Field of the invention

[0001] The field of the invention relates to a piezo motor driven device.

Background of the invention

[0002] In life sciences, the medical sector and clinical diagnostics, there is a need for small and accurate drives for high precision positioning applications in automatic analyzer systems and manipulators. Piezo or piezoelectric motors are suitable for such purposes for example to drive an ultrasonic nozzle, for ultrafine focusing of optical assemblies, for scanning probe microscopies with atomic resolution, to point sensors at the right location, move samples, or for fluid dispensing on a small scale.

[0003] Piezo motors make use of the converse piezoelectric effect whereby the piezoelectric material produces acoustic or ultrasonic vibrations for producing a motion.

[0004] Several piezo motor principles are known. One drive technique is to use piezo material to push a stator. These piezo motors are basically stepping motors, with each step comprising either two or three actions, based on the locking type.

[0005] Another piezo drive technique uses piezoelectric elements that are bonded orthogonally to a nut and their ultrasonic vibrations rotate and translate a central lead screw. This is called a piezo direct drive motor.

[0006] The direct drive piezo motor uses continuous ultrasonic vibrations to provide movement. A two-channel sinusoidal or square wave is applied to the piezoelectric elements at an ultrasonic frequency of about 40kHz to 200kHz, matching the first bending resonant frequency of the threaded tube. This creates orbital motion which drives the screw.

[0007] The non-powered behavior of a piezo motor is one of two options: normally locked or normally free. When no power is being applied to a normally locked motor, the spindle or carriage for rotary or linear types respectively, will not move under external force. For normally free motor, the spindle or carriage will move freely under external force. However, if both locking groups are powered at rest, a normally free motor will resist external force without providing any motive force. A combination of mechanical latches and crystals could be used, but this would restrict the maximum stepping rate of the motor.

[0008] The prior art piezoelectric motor principles are all based on motion by sliding or static friction between a stationary part, the stator and a moved part, the rotor.

[0009] The disadvantage of the prior art piezo motors with a frictionally engaged drive mechanism is, that every single step or movement of an actuator as well as the self-locking of the motor are strongly influenced by environmental conditions and physical factors such as temperature, surface quality, pretension force, air humidity and others. The prior art motors compensate for the effect of such factors with a sufficient or over dimensioned pretension force and are driven in a closed loop drive control. The operation of the prior art motors is thus very complex and expensive.

[0010] The above-mentioned effects need to be compensated with pretension force and the motor is to be driven in a closed loop drive control. Especially, when a piezoelectric motor is needed for positioning purposes along a given ramp, as it is the case when a pump in a pipetting device is driven, such measures should be taken.

[0011] Thus, there is a need for a piezoelectric motor that avoids step losses or undefined step sizes caused by environmental conditions like e.g. temperature, surface quality, air humidity, but can be permanently locked or unlocked in an unpowered state.

Object of the invention

[0012] It is an object of the invention to provide a piezo motor driven device that avoids step losses, undefined step sizes caused by environmental conditions like e.g. temperature, surface quality, air humidity and can be permanently locked or unlocked in an unpowered state.

Summary of the invention

[0013] The instant invention provides a piezo motor driven device comprising a movable gear rack with a toothed structure on its longitudinal opposite sides and at least three actuators each having a tooth, wherein the at least three actuators are arranged in a manner that at least one actuator is present on each longitudinal sides of the gear rack and each actuator is connected with an end of a piezo bender.

[0014] In a further aspect of the invention, each tooth of the at least three actuators may have a size to engage into the toothed structure of the gear rack.

[0015] It is intended that a tooth of the gear rack has a wide X and a tooth of an actuator is arranged in a distance X/n , wherein n is an integer starting with 3 representing the number of actuators.

[0016] Each of the at least three actuators may comprise a central part.

[0017] The central part of a piezo motor driven device may provide in a further aspect for each of the at least three actuators being enclosed by an actuator arm having the tooth for engaging into the gear rack on one end and a spring-load mechanism located on the other end.

[0018] The movable guide rack can be embedded into a guide rail and the gear rack may further be symmetrically toothed.

[0019] Another aspect of the invention refers to a method for moving a gear rack with a piezo motor comprising the gear rack with a toothed structure on its longitudinal opposite sides and at least four actuators each having a tooth, wherein the at least four actuators are arranged on both longitudinal sides of the gear rack and each actuator is connected to an end of a piezo bender, comprising the steps of

- actuating the piezo bender sequentially,
- engaging the teeth of the at least four actuator sequentially and vertically into the toothed structure of the gear rack,
- moving the gear rack in a direction depending on the sequence of actuating the at least four actuator.

[0020] The gear rack may be moved linear by the above described method

Summary of the figures

[0021] The invention will now be described based on figures. It will be understood that the embodiments and aspects of the invention described in the figures are only examples and do not limit the protective scope of the claims in any way. The invention is defined by the claims and their equivalents. It will be understood that features of one aspect or embodiment of the invention can be combined with a feature of a different aspect or aspects of other embodiments of the invention. It shows:

[0022] Figure 1 Schematic depiction of a piezo motor driven device of the invention.

[0023] Figure 2 Detailed depiction of design principle

[0024] Figure 3 Sequence of actuation and direction of movement

Detailed description of the invention

[0026] The invention provides a piezo bender arranged within a form-locked drive mechanism avoiding step losses and undefined step sizes caused by environmental conditions such as temperature, surface quality and air humidity.

[0027] A piezo bender generates a bending mode upon activation of a piezo element located at one end of the bending element of the piezo bender. Within the description of the instant invention, the terms piezo motor and piezo bender are used synonymously.

[0028] The invented piezo motor principle works with at least three single actuators which are integrated into a form-locked drive mechanism. The described technology avoids step losses, undefined step sizes caused by environmental conditions like e.g. temperature, surface quality, air humidity.

[0029] The invented motor can be configured to be permanently locked or to be permanently unlocked in an unpowered state. It is further possible to use the described piezo motor without an encoder, due to the form locked drive mechanism, even for positioning on a given time-speed ramp.

[0030] The advantages of the invention of the present disclosure can be summarized as follows:

- Reduced influence of environmental conditions
- Prevention of step losses
- Defined step sizes
- Increased accuracy
- No encoder is needed
- Possibility to configure the piezoelectric motor to be permanently locked or to be permanently unlocked in unpowered state

Detailed description of the figures

[0031] Figure 1 shows a device 1 with a gear rack 5 and four actuators. The actuators have a central element 3 that is surrounded by one end of an actuator arm 30. The actuator arm 30 has on one end a spring load mechanism 33 that is connected with frame 35 in device 1. The opposite end of the actuator arm 30 surrounds the central element 3 and has further a tooth 4 arranged near its end for engaging into gears of gear rack 5. Gear rack 5 is located within guide rail 40 for guiding movement of gear rack 5 only in two directions. One end of bending element 2 of the piezo bender engages into central element 3, the opposite end is fixed by fixation of bending element 10. Bending of the bending element 2 by activation of the piezo element results in a movement of the central element 3 and thus teeth 4 towards gear rack 5. Gear rack 5 is moved by a sequentially activation of the piezo bender causing sequential engagement of teeth 4 into the teeth of gear rack 5.

[0032] Figure 2 shows a detailed depiction of the arrangement of four teeth 4 of the actuators on both sides of gear rack 5. Each tooth 4 is located at the end of actuator arm 30. One end of bending element 2 engages into central element 3. Bending the bending element 2 will result in a movement of teeth 4 towards gear rack 5 and engagement into the teeth of gear rack 5. The teeth of the gear rack 5 have width X and the actuator tooth 4 are arranged in a distance corresponding to $X/4$ in case of four actuators. This correlation between the width X of gear teeth and actuator teeth 4 results in a movement of gear rack 5 depending on the sequence of actuating the actuators.

[0033] Figure 3 shows how movement of gear rack 5 to the right or left can be achieved by sequentially actuating the teeth of the actuators. If the actuators will be energized sequentially (e.g. 1-2-3-4-1-2-3-4.....) the rack will move $X/4$ stepwise to the right (black arrow). A mirroring of the sequence changes the movement direction of the rack (white arrow). Due to the principle, the drive resolution and precision of such a piezo motor having four actuators is $X/4$ mm.

Reference Numerals

1	device
2	bending element
3	central element
4	actuator tooth
5	gear rack
X	width of gear teeth
10	fixation bending element
30	actuator arm
33	spring load mechanism
35	frame
40	guide rail

Claims

1. A piezo motor driven device comprising a movable gear rack with a toothed structure on its longitudinal opposite sides and at least three actuators each having a tooth, wherein the at least three actuators are arranged in a manner that at least one actuator is present on each longitudinal sides of the gear rack and each actuator is connected with an end of a piezo bender.
2. The piezo motor of claim 1, wherein each tooth of the at least three actuators has a size to engage into the toothed structure of the gear rack.
3. The piezo motor of any one of claims 1 or 2, wherein a tooth of the gear rack has a wide X and a tooth of an actuator is arranged in a distance X/n , wherein n is an integer starting with 3 representing the number of actuators.
4. The piezo motor of any one of claims 1 to 3, wherein each of the at least three actuators comprises a central part.
5. The piezo motor of any one of claims 1 to 4, wherein the central part of each of the at least three actuators is enclosed by an actuator arm having the tooth for engaging into the gear rack on one end and a spring-load mechanism located on the other end.
6. The piezo motor of any one of claims 1 to 5, wherein the movable guide rack is embedded into a guide rail.
7. The piezo motor of any one of claims 1 to 6, wherein the gear rack is symmetrically toothed.
8. A method for moving a gear rack with a piezo motor comprising the gear rack with a toothed structure on its longitudinal opposite sides and at least four actuators each having a tooth, wherein the at least four actuators are arranged on both longitudinal

sides of the gear rack and each actuator is connected to an end of a piezo bender, comprising the steps of

- actuating the piezo bender sequentially,
- engaging the teeth of the at least four actuator sequentially and vertically into the toothed structure of the gear rack,
- moving the gear rack in a direction depending on the sequence of actuating the at least four actuator.

9. The method of claim 8, wherein the gear rack is moved linear.



Application No: GB1703593.2

Examiner: Mr Jody Fellows

Claims searched: 1-9

Date of search: 29 August 2017

Patents Act 1977: Search Report under Section 17

Documents considered to be relevant:

Category	Relevant to claims	Identity of document and passage or figure of particular relevance
A	-	US 2005/0005722 A1 NISHIMOTO et al.: example of piezoelectric motor drive having a longitudinal gear rack
A	-	JP 2008172967 A SEIKO EPSON CORP.: example of piezoelectric motor drive having longitudinal gear rack

Categories:

X	Document indicating lack of novelty or inventive step	A	Document indicating technological background and/or state of the art.
Y	Document indicating lack of inventive step if combined with one or more other documents of same category.	P	Document published on or after the declared priority date but before the filing date of this invention.
&	Member of the same patent family	E	Patent document published on or after, but with priority date earlier than, the filing date of this application.

Field of Search:

Search of GB, EP, WO & US patent documents classified in the following areas of the UKC^X :

--

Worldwide search of patent documents classified in the following areas of the IPC

H02N

The following online and other databases have been used in the preparation of this search report

EPODOC, WPI, Patent Fulltext

International Classification:

Subclass	Subgroup	Valid From
H02N	0002/02	01/01/2006