



US00D760100S

(12) **United States Design Patent**
Gathman et al.

(10) **Patent No.:** **US D760,100 S**

(45) **Date of Patent:** **** Jun. 28, 2016**

(54) **ELECTRICAL TESTER**

(71) Applicant: **Auto Meter Products, Inc.**, Sycamore, IL (US)

(72) Inventors: **Michael R. Gathman**, Genoa, IL (US);
John C. McMillion, Oswego, IL (US);
Douglas W. Adams, DeKalb, IL (US)

(73) Assignee: **Auto Meter Products, Inc.**, Sycamore, IL (US)

(**) Term: **14 Years**

(21) Appl. No.: **29/507,993**

(22) Filed: **Oct. 31, 2014**

(51) **LOC (10) Cl.** **10-04**

(52) **U.S. Cl.**
USPC **D10/78**

(58) **Field of Classification Search**

USPC D10/46, 75, 78, 96
CPC G01D 5/00; G06F 1/166; G06F 1/1656;
G06F 1/1626; G06F 1/1609; G06F 1/637;
G06F 3/03547; G06F 3/04842; G06F 3/04817;
G01M 17/00; G01R 31/007; G01R 31/3648;
G01R 31/3693; G01R 31/3627; F17D 1/08;
F02P 17/08

See application file for complete search history.

(56) **References Cited**

U.S. PATENT DOCUMENTS

D352,009 S * 11/1994 Elkins D10/75
D511,980 S * 11/2005 McFarland D10/78
7,899,608 B1 * 3/2011 Pederson G01M 15/11
701/111

* cited by examiner

Primary Examiner — Antoine D Davis

(74) *Attorney, Agent, or Firm* — Fitch, Even, Tabin & Flannery, LLP

(57) **CLAIM**

We claim the ornamental design for an electrical tester, as shown and described.

DESCRIPTION

FIG. 1 is a front perspective view of a second embodiment of our new design;

FIG. 2 is a rear perspective view of the second embodiment of FIG. 1;

FIG. 3 is a front view of the second embodiment of FIG. 1

FIG. 4 is a rear view of the second embodiment of FIG. 1;

FIG. 5 is a left side view of the second embodiment of FIG. 1;

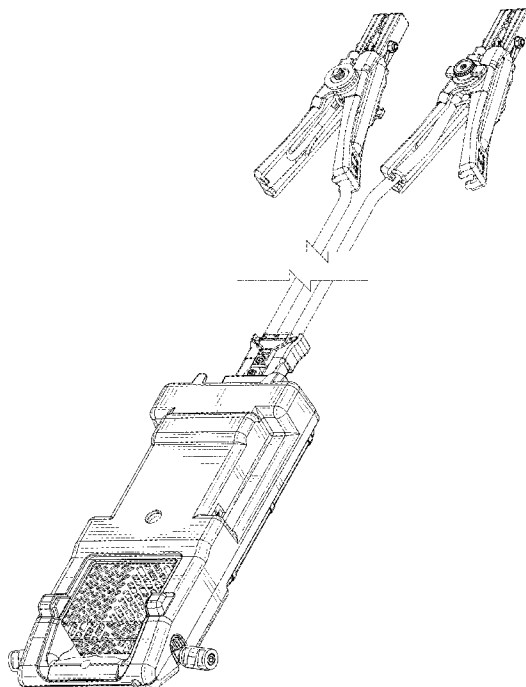
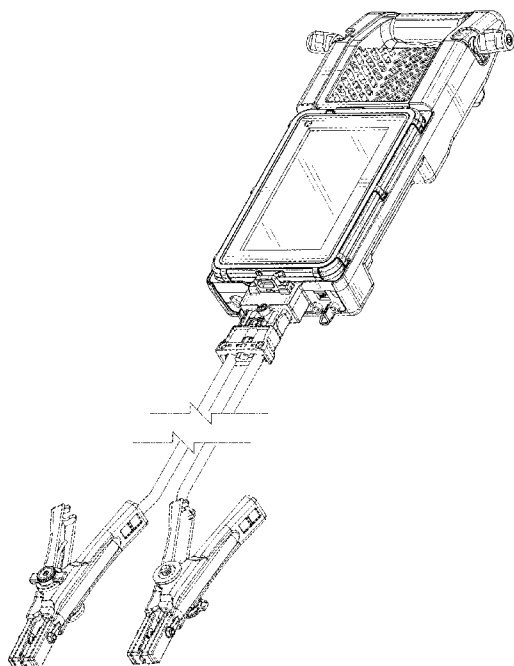
FIG. 6 is a right side view of the second embodiment of FIG. 1;

FIG. 7 is a top view of the second embodiment of FIG. 1; and,

FIG. 8 is a bottom view of the second embodiment of FIG. 1.

The broken lines shown in the drawings are for illustrative purposes only and form no part of the claimed design.

1 Claim, 6 Drawing Sheets



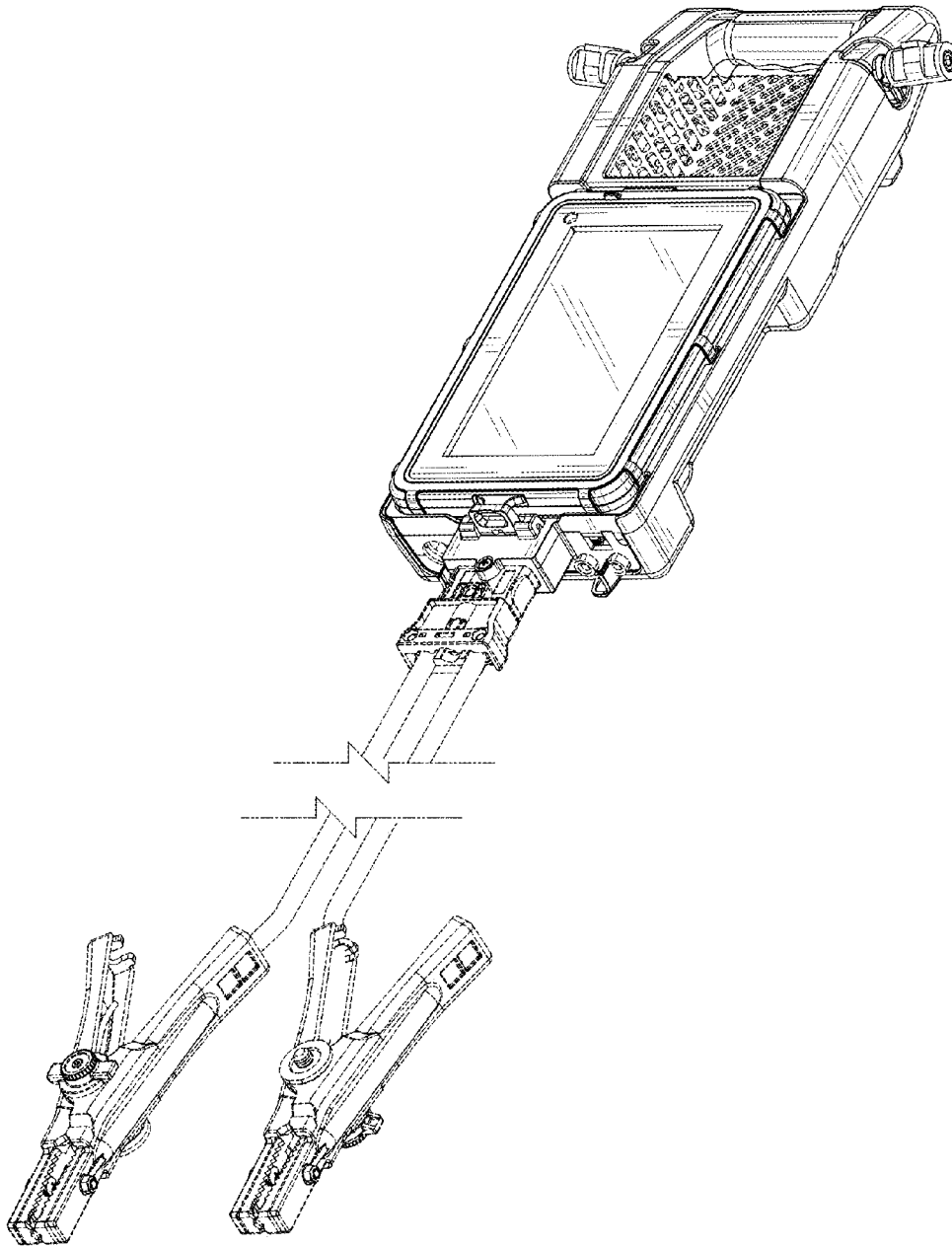


FIG. 1

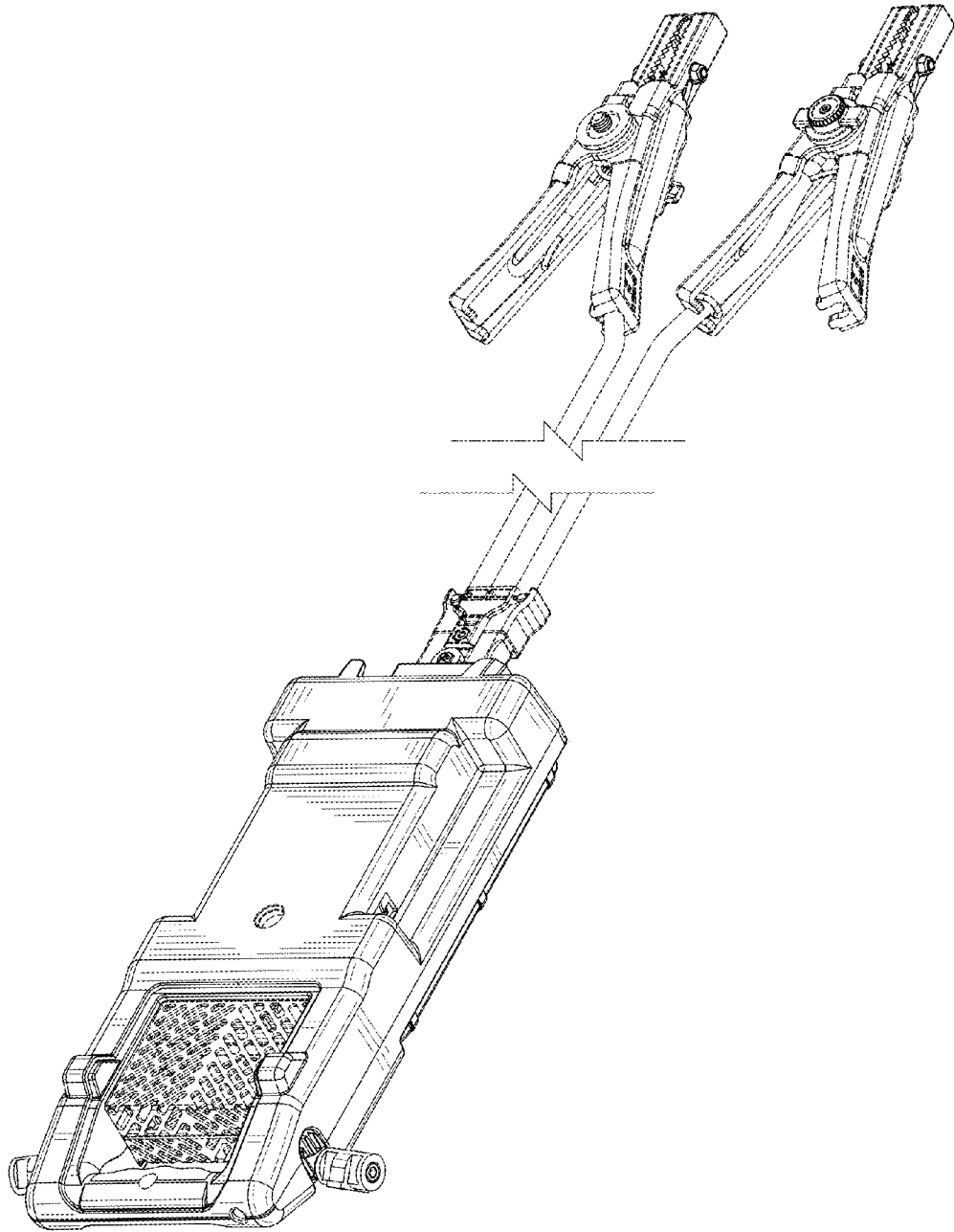


FIG. 2

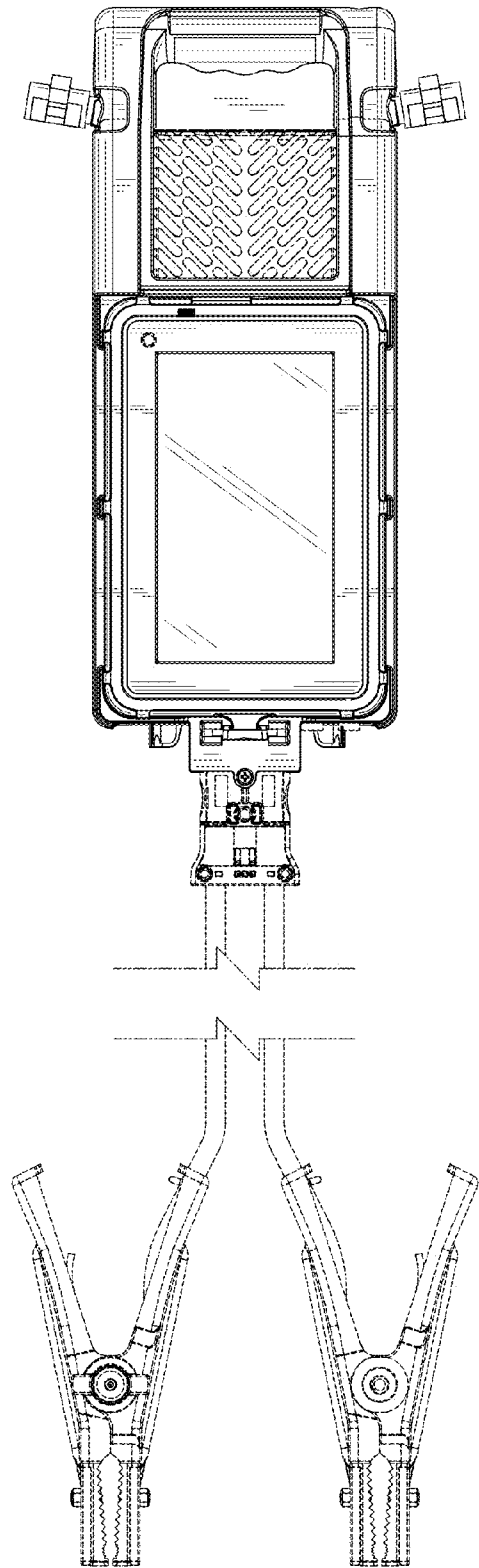


FIG. 3

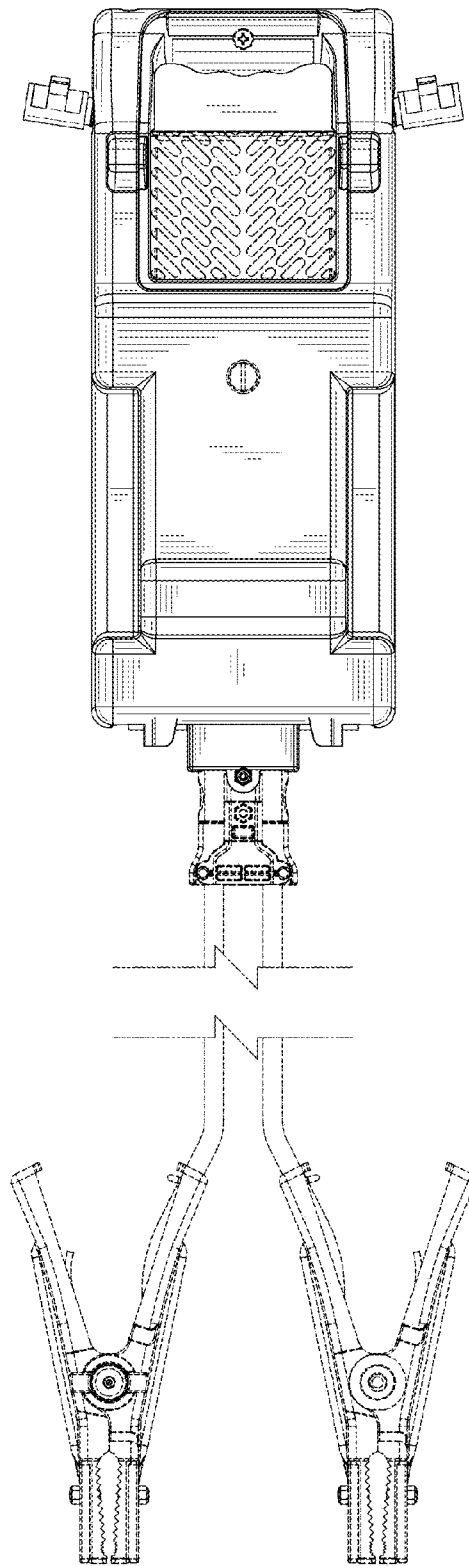


FIG. 4

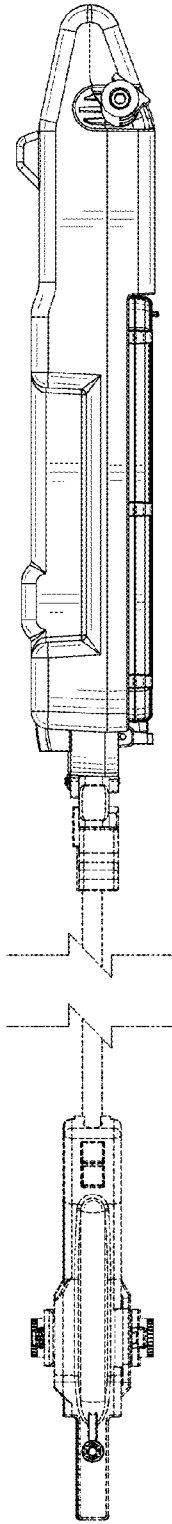


FIG. 5

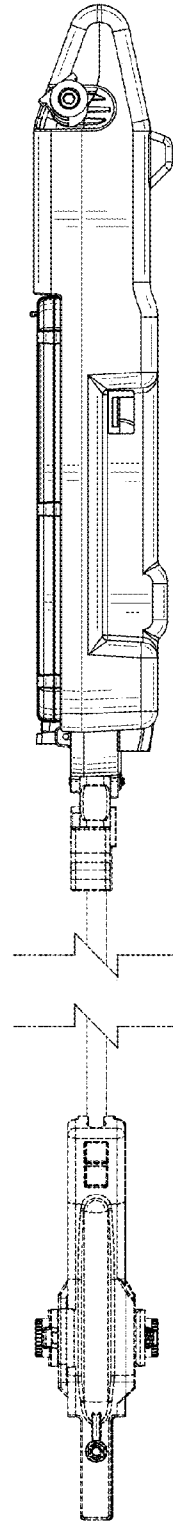


FIG. 6

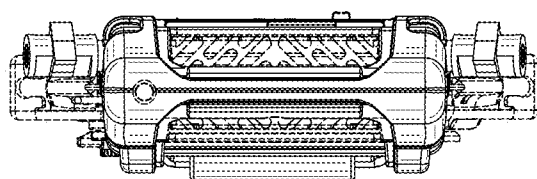


FIG. 7

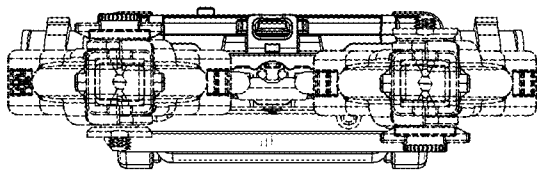


FIG. 8