

(19) World Intellectual Property  
Organization  
International Bureau



(43) International Publication Date  
26 February 2004 (26.02.2004)

PCT

(10) International Publication Number  
WO 2004/016891 A3

- (51) International Patent Classification<sup>7</sup>: E05D 3/06
- (21) International Application Number:  
PCT/US2003/025501
- (22) International Filing Date: 13 August 2003 (13.08.2003)
- (25) Filing Language: English
- (26) Publication Language: English
- (30) Priority Data:  
10/218,355 14 August 2002 (14.08.2002) US
- (71) Applicant and
- (72) Inventor: MAURER, Scott, D. [US/US]; 16 Hidden Valley, Rocky River, OH 44116 (US).

(81) Designated States (*national*): AE, AG, AL, AM, AT, AU, AZ, BA, BB, BG, BR, BY, BZ, CA, CH, CN, CO, CR, CU, CZ, DE, DK, DM, DZ, EC, EE, ES, FI, GB, GD, GE, GH, GM, HR, HU, ID, IL, IN, IS, JP, KE, KG, KP, KR, KZ, LC, LK, LR, LS, LT, LU, LV, MA, MD, MG, MK, MN, MW, MX, MZ, NI, NO, NZ, OM, PG, PH, PL, PT, RO, RU, SC, SD, SE, SG, SK, SL, SY, TJ, TM, TN, TR, TT, TZ, UA, UG, US, UZ, VC, VN, YU, ZA, ZM, ZW.

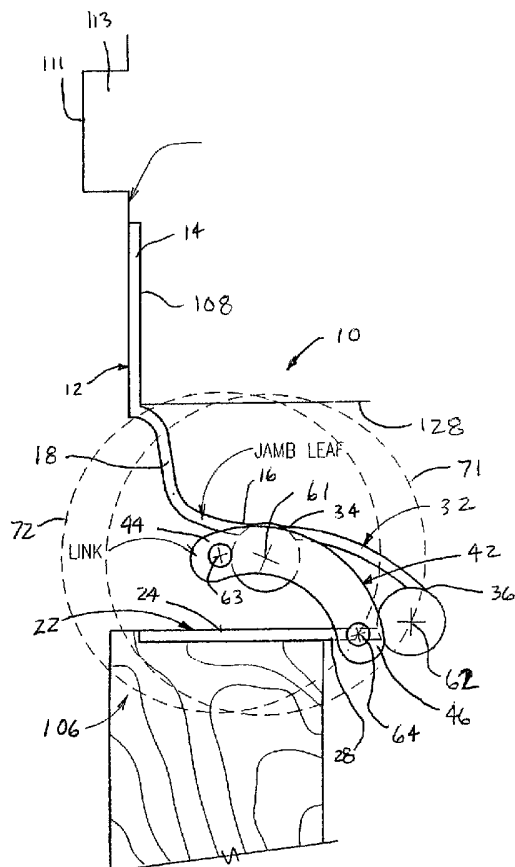
(84) Designated States (*regional*): ARIPO patent (GH, GM, KE, LS, MW, MZ, SD, SL, SZ, TZ, UG, ZM, ZW), Eurasian patent (AM, AZ, BY, KG, KZ, MD, RU, TJ, TM), European patent (AT, BE, BG, CH, CY, CZ, DE, DK, EE, ES, FI, FR, GB, GR, HU, IE, IT, LU, MC, NL, PT, RO, SE, SI, SK, TR), OAPI patent (BF, BJ, CF, CG, CI, CM, GA, GN, GQ, GW, ML, MR, NE, SN, TD, TG).

(74) Agents: CLARK, Robert, J. et al.; Hahn Loeser & Parks, LLP, Twin Oaks Estate, 1225 West Market Street, Akron, OH 44313-7188 (US).

Published:  
— with international search report

[Continued on next page]

(54) Title: ARTICULATED SWING AWAY HINGE



(57) Abstract: An improved swing away style door hinge utilizing three articulated hinge members and a means for controlling the position of at least one of the hinge members with respect to at least one other hinge member such that the hinge allows greater access through a doorway when the door is opened at a 90 degree angle.

WO 2004/016891 A3



---

**(88) Date of publication of the international search report:**  
2 September 2004

*For two-letter codes and other abbreviations, refer to the "Guidance Notes on Codes and Abbreviations" appearing at the beginning of each regular issue of the PCT Gazette.*

# INTERNATIONAL SEARCH REPORT

International application No.

PCT/US03/25501

**A. CLASSIFICATION OF SUBJECT MATTER**

IPC(7) : E 05 D 3/06  
 US CL : 16/366, 365,369,370,337, 237; 270/39.05

According to International Patent Classification (IPC) or to both national classification and IPC

**B. FIELDS SEARCHED**

Minimum documentation searched (classification system followed by classification symbols)  
 U.S. : 16/366, 365,369,370,337, 237; 270/39.05

Documentation searched other than minimum documentation to the extent that such documents are included in the fields searched

Electronic data base consulted during the international search (name of data base and, where practicable, search terms used)

**C. DOCUMENTS CONSIDERED TO BE RELEVANT**

Category *	Citation of document, with indication, where appropriate, of the relevant passages	Relevant to claim No.
X	US 1,817,773 A (SIPE, H.E.) 04 AUGUST 1931 see the entire document	1-14, 16-17, & 19-28
Y	US 4,848,244 A (BENNETT, W.C.) 18 JULY 1989 see the entire document	15 & 18
A	US 2,779,069 A (ZIESMER, R) 29 JANUARY 1957 see entire document	ALL

Further documents are listed in the continuation of Box C.

See patent family annex.

* Special categories of cited documents:	"T"	later document published after the international filing date or priority date and not in conflict with the application but cited to understand the principle or theory underlying the invention
"A" document defining the general state of the art which is not considered to be of particular relevance	"X"	document of particular relevance; the claimed invention cannot be considered novel or cannot be considered to involve an inventive step when the document is taken alone
"E" earlier application or patent published on or after the international filing date	"Y"	document of particular relevance; the claimed invention cannot be considered to involve an inventive step when the document is combined with one or more other such documents, such combination being obvious to a person skilled in the art
"L" document which may throw doubts on priority claim(s) or which is cited to establish the publication date of another citation or other special reason (as specified)	"&"	document member of the same patent family
"O" document referring to an oral disclosure, use, exhibition or other means		
"P" document published prior to the international filing date but later than the priority date claimed		

Date of the actual completion of the international search 07 November 2003 (07.11.2003)	Date of mailing of the international search report <b>03 JUN 2004</b>
Name and mailing address of the ISA/US Mail Stop PCT, Attn: ISA/US Commissioner for Patents P.O. Box 1450 Alexandria, Virginia 22313-1450 Facsimile No. (703)305-3230	Authorized officer <i>Kenneth Dörner</i> Kenneth Dörner Telephone No. 703-308-2168