

(12) INTERNATIONAL APPLICATION PUBLISHED UNDER THE PATENT COOPERATION TREATY (PCT)

(19) World Intellectual Property  
Organization  
International Bureau



(43) International Publication Date  
15 July 2004 (15.07.2004)

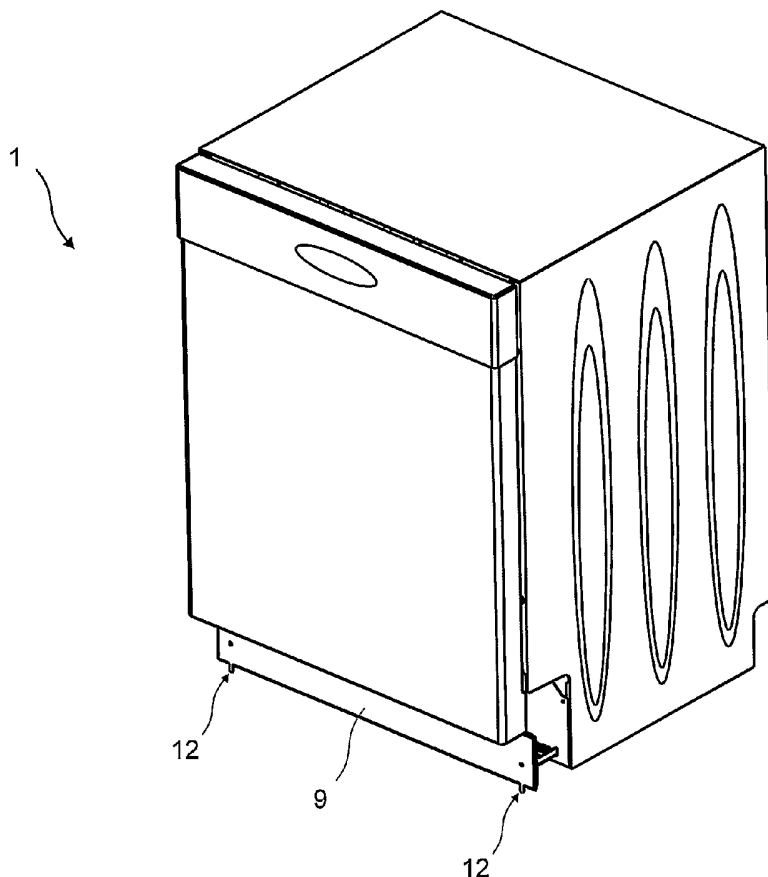
PCT

(10) International Publication Number  
WO 2004/058037 A1

- (51) International Patent Classification<sup>7</sup>: A47L 15/42, D06F 39/14
- (21) International Application Number: PCT/TR2003/000100
- (22) International Filing Date: 19 December 2003 (19.12.2003)
- (25) Filing Language: English
- (26) Publication Language: English
- (30) Priority Data: 2002/02765 30 December 2002 (30.12.2002) TR
- (52) Inventor; and  
(75) Inventor/Applicant (for US only): AKIN, Tolga [TR/TR]; Arçelik Anonim Sirketi, Bulasik Makinesi Isletmesi, 06931 Ankara (TR).
- (74) Agent: ANKARA PATENT BUREAU LIMITED; Bestekar Sok. No:10, Kavaklidere, 06680 ANKARA (TR).
- (81) Designated States (national): AE, AG, AL, AM, AT, AU, AZ, BA, BB, BG, BR, BW, BY, BZ, CA, CH, CN, CO, CR, CU, CZ, DE, DK, DM, DZ, EC, EE, EG, ES, FI, GB, GD, GE, GH, GM, HR, HU, ID, IL, IN, IS, JP, KE, KG, KP, KR, KZ, LC, LK, LR, LS, LT, LU, LV, MA, MD, MG, MK, MN, MW, MX, MZ, NI, NO, NZ, OM, PG, PH, PL, PT, RO, RU, SC, SD, SE, SG, SK, SL, SY, TJ, TM, TN, TR, TT, TZ, UA, UG, US, UZ, VC, VN, YU, ZA, ZM, ZW.
- (84) Designated States (regional): ARIPO patent (BW, GH, GM, KE, LS, MW, MZ, SD, SL, SZ, TZ, UG, ZM, ZW), Eurasian patent (AM, AZ, BY, KG, KZ, MD, RU, TJ, TM),
- (71) Applicant (for all designated States except US): ARCELIK A.S. [TR/TR]; E5 Ankara Asfalti üzeri, Tuzla, 34950 Istanbul (TR).

[Continued on next page]

(54) Title: DOMESTIC APPLIANCE WITH A PLINTH COVERING PLATE



(57) Abstract: This invention relates to a domestic appliance (1) comprising a covering plate (3) whose height and depth settings can be easily adjusted to allow covering the front face of the plinth (2) without leaving a space.

WO 2004/058037 A1



European patent (AT, BE, BG, CH, CY, CZ, DE, DK, EE, ES, FI, FR, GB, GR, HU, IE, IT, LU, MC, NL, PT, RO, SE, SI, SK, TR), OAPI patent (BF, BJ, CF, CG, CI, CM, GA, GN, GQ, GW, ML, MR, NE, SN, TD, TG).

*For two-letter codes and other abbreviations, refer to the "Guidance Notes on Codes and Abbreviations" appearing at the beginning of each regular issue of the PCT Gazette.*

**Published:**

— *with international search report*

## DOMESTIC APPLIANCE WITH A PLINTH COVERING PLATE

This invention relates to a domestic appliance, especially a dishwasher, which comprises an adjustable covering plate.

5

The front side of the support, which is located at the bottom of a domestic appliance, is covered by a covering plate. Depending on its place of use, if the height of the domestic appliance is lowered the covering plate should not prevent this and on the other hand if the height of the appliance is increased there  
10 should not be left a space between the lower end of the covering plate and the floor.

The object of the present invention is to realize a domestic appliance comprising an adjustable covering plate whose height and depth can easily be changed.

15

The domestic appliance realized to attain the object of the present invention is illustrated in the attached drawings, wherein

Figure 1 is a perspective view of a domestic appliance comprising a small  
20 covering plate mounted on it.

Figure 2a is a detailed perspective view of a small covering plate comprising an flap.

Figure 2b is a schematic view of a small covering plate comprising a folded flap.

Figure 3 is a detailed perspective view of a domestic appliance comprising depth  
25 adjustment and locking means.

Figure 4 is a detailed perspective view of a depth adjustment means, locking means, slot for locking means and a fixation protrusion.

Figure 5 is a detailed perspective view of a depth adjustment means, a slot for locking means and a fixation intrusion.

30 Figure 6 is a detailed perspective view of a domestic appliance whose height is increased and a covering plate mounted on it.

Figure 7a is a detailed perspective view of a covering plate wherein the space left behind it is closed by an flap.

Figure 7b is a detailed perspective view of a covering plate comprising a height adjustment channel wherein the space left behind it is not closed.

5

Various parts in the drawings have been numbered individually, and they are listed herebelow:

1. Domestic appliance
- 10 2. Plinth
3. Covering plate
4. Depth adjustment means
5. Locking means
6. Slot for locking means
- 15 7. Protrusion
8. Recess
9. Small covering plate
10. Large covering plate
11. Height adjustment channel
- 20 12. Flap
13. Cavity

A domestic appliance comprises a plinth (2) which enables it to be levelly placed on the floor and a covering plate (3) which covers the front side of the plinth (2).

The plinth (2) comprises one or more depth adjustment means (4) onto which the covering plate is mounted so as to allow the adjustment of the depth of the covering plate (3) by either pushing or drawing it,

one or more locking means (5) for fixing the depth adjustment means (4) at a desired position,

one or more slots (6) through which the locking means (5) moves in the desired direction, and

5 one or more protrusions (7) which enable the locking means (5) to be fixed at the locking position.

Depth adjustment means (4) involves one or more recesses (8) for fixing the depth adjustment means (4) at a desired position by way of placing the locking  
10 means (5) into any one of said recesses (8).

Locking means (5) is fastened to the locking slot (6) without any auxiliary elements such as screws or pinions. Locking means (5) can be moved in the locking slot (6) either linearly in the vertical or horizontal directions or  
15 rotationally.

The movements of the locking means (5) may take place either in the plane of the plinth (2) or in other planes.

20 The covering plate (3) comprises a large covering plate (10) which is used when the height of use of the domestic appliance (1) is either nominal or more, and a small covering plate (9) which is used when the height of use of the domestic appliance (1) is nominal.

25 Large covering plate (10) involves one or more height adjustment channels (11) which enables the large covering plate (10) to be mounted by being adjusted in the upper or lower direction.

The small covering plate (9) involves one or more flaps (12) for closing  
30 the space left behind the height adjustment channel (12) after the adjustably mounting of the large covering plate (10) in front of the small covering plate (9).

The flaps (12) are such that they can be folded back for providing full contact between the lower edge of the small covering plate (9) and the floor, in case the small covering plate (9) is used alone.

5 In an alternative embodiment of the invention, the plinth (2) comprises one or more cavities (13) for fixing the locking means (5) at a locking position.

For the small covering plate (9) to be able to be used alone at nominal heights of usage of the domestic appliance (1), it is mounted to depth adjustment  
10 means (4) and for it to reside fully upon the floor the flaps (12) are folded back. In order to adjust the depth, first the depth adjustment means (4) is moved forward or backward until it is brought to the desired position; then the locking means (5) is slide till it resides on the recess (8) of the depth adjustment means (4). For the nominal or more usage heights of the domestic appliance (1), the large covering  
15 plate (10) is first placed in front of the small covering plate (9) and slide down until it resides on the floor then it is mounted on the depth adjustment means (4) via the fixing elements which pass through depth adjustment channels (11). Once the depth adjustment means (4) are brought to the desired position by being moved forward or backward, the locking means (5) is slide till it resides in the  
20 recess (8) of the depth adjustment means (4).

In the preferred embodiment of the invention, the covering plate (3) is mounted on the depth adjustment means (4) before the depth adjustment, so that the position adjustment is made easier.

25

Since the present covering plate (3) is made up of two pieces one of which is slidably mounted on the other, at every usage height and depth of the domestic appliance (1) within the standards, the front face of the plinth (2) can be closed without leaving any space.

30 The fact that the locking means (5) can move in both directions in the locking slot (6) without any need for an auxiliary fastening element such as a

screw or pinion, and that the height adjustment channels (11) of the large covering plate (10) and flaps (12) of the small covering plate (9) enable closing of the spaces or residing of the small covering plate (9) on the floor in case it is used alone, allows the covering plate (3) to be easily adjusted to various usage heights

5 of the domestic appliance (1).

## CLAIMS

1. A domestic appliance (1) comprising a plinth (2) which enables it to be  
5 levelly placed on the floor and a covering plate (3) which covers the front  
side of said plinth (2), and characterized in that said plinth (2) comprises  
one or more depth adjustment means (4) onto which the covering plate (3)  
is mounted so as to allow the adjustment of the depth of the covering plate  
(3) by either pushing or drawing it, one or more locking means (5) for  
10 fixing said depth adjustment means (4) at a desired position and which can  
be moved in the plane of the plinth (2) or in other planes.
2. The domestic appliance (1) of Claim 1, characterized in that the plinth (2)  
further comprises one or more slots (6) through which said locking means  
(5) moves in the desired direction, and one or more protrusions (7) which  
15 enable said locking means (5) to be fixed at the locking position.
3. The domestic appliance (1) of any of the claims above, characterized in  
that the plinth (2) further comprises a depth adjustment means (4)  
involving one or more recesses (8) for fixing the depth adjustment means  
(4) at a desired position.
- 20 4. The domestic appliance (1) of claim 2, characterized in that the plinth (2)  
further comprises one or more locking means (5) fastened to the locking  
slot (6) without any auxiliary elements such as screws or pinions and that  
can be moved in the locking slot (6) either linearly in the vertical or  
horizontal directions or rotationally.
- 25 5. The domestic appliance (1) of any of the claims above, characterized in  
that the plinth (2) further comprises one or more cavities (13) for fixing the  
locking means (5) at a locking position.
6. The domestic appliance (1) of claims above, characterized by a covering  
plate (3) comprising a large covering plate (10) which is used when the  
30 height of use of the domestic appliance (1) is either nominal or more and  
involving one or more height adjustment channels (11) which enables the

large covering plate (10) to be mounted by being adjusted in the upper or lower direction.

- 5 7. The domestic appliance (1) of Claim 6, characterized by a covering plate (3) comprising and a small covering plate (9) which is used when the height of use of the domestic appliance (1) is nominal and which comprises one or more flaps (12) for closing the space left behind the height adjustment channel (11) after the adjustably mounting of the large covering plate (10) in front of it and which are foldable backwards for enabling the lower edge of the small covering plate (9).

10

Figure 1

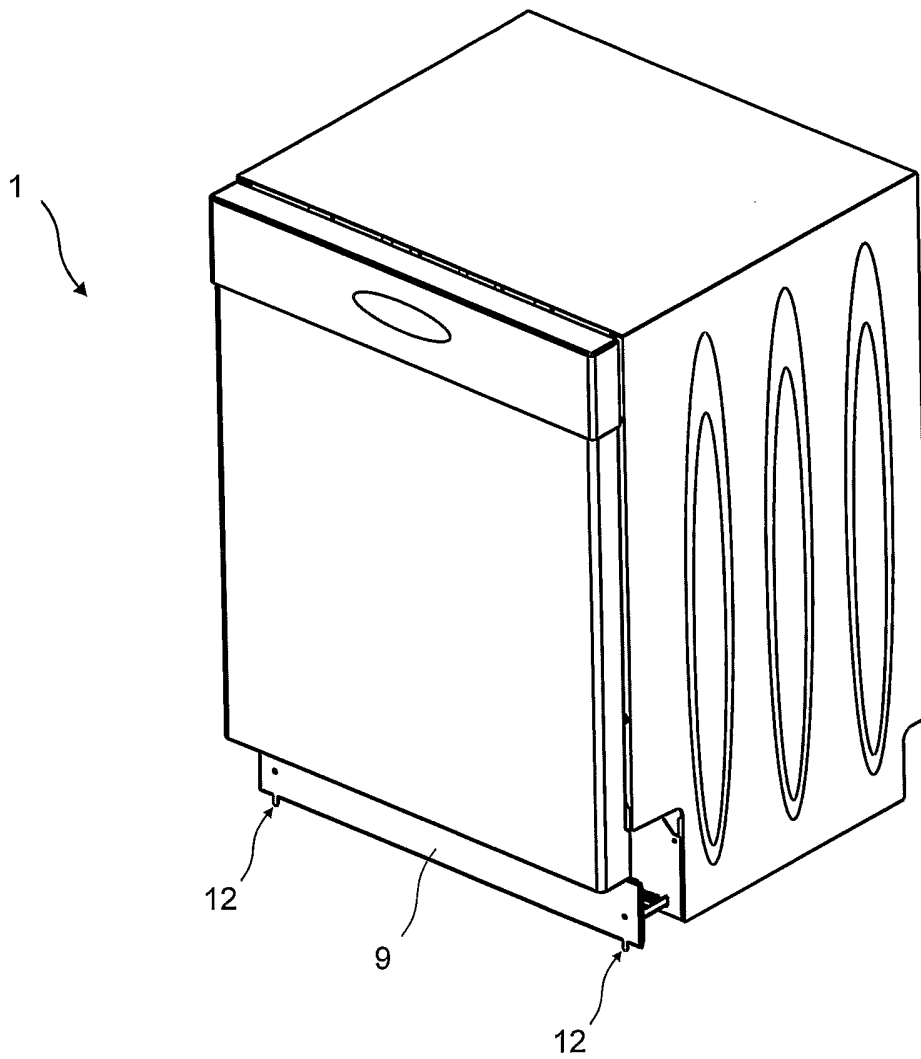


Figure 2a

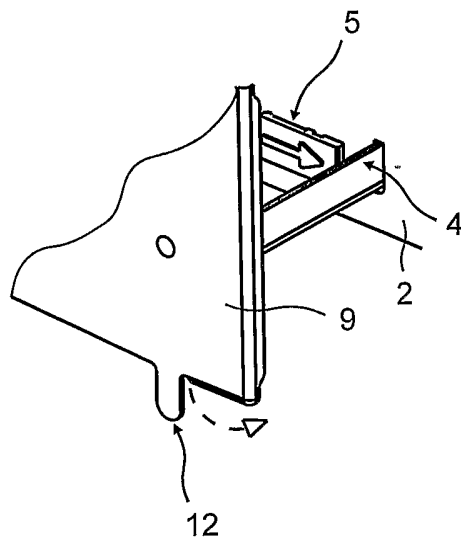


Figure 2b

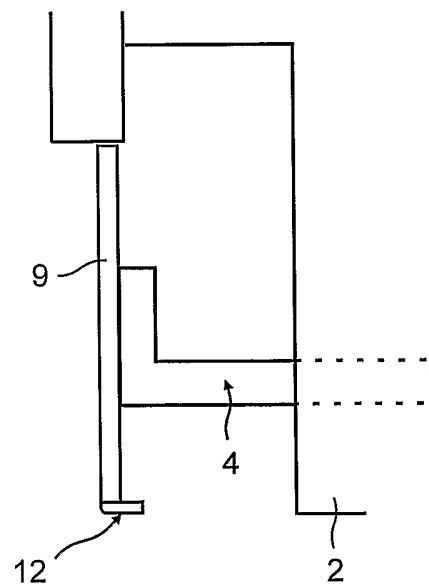


Figure 3

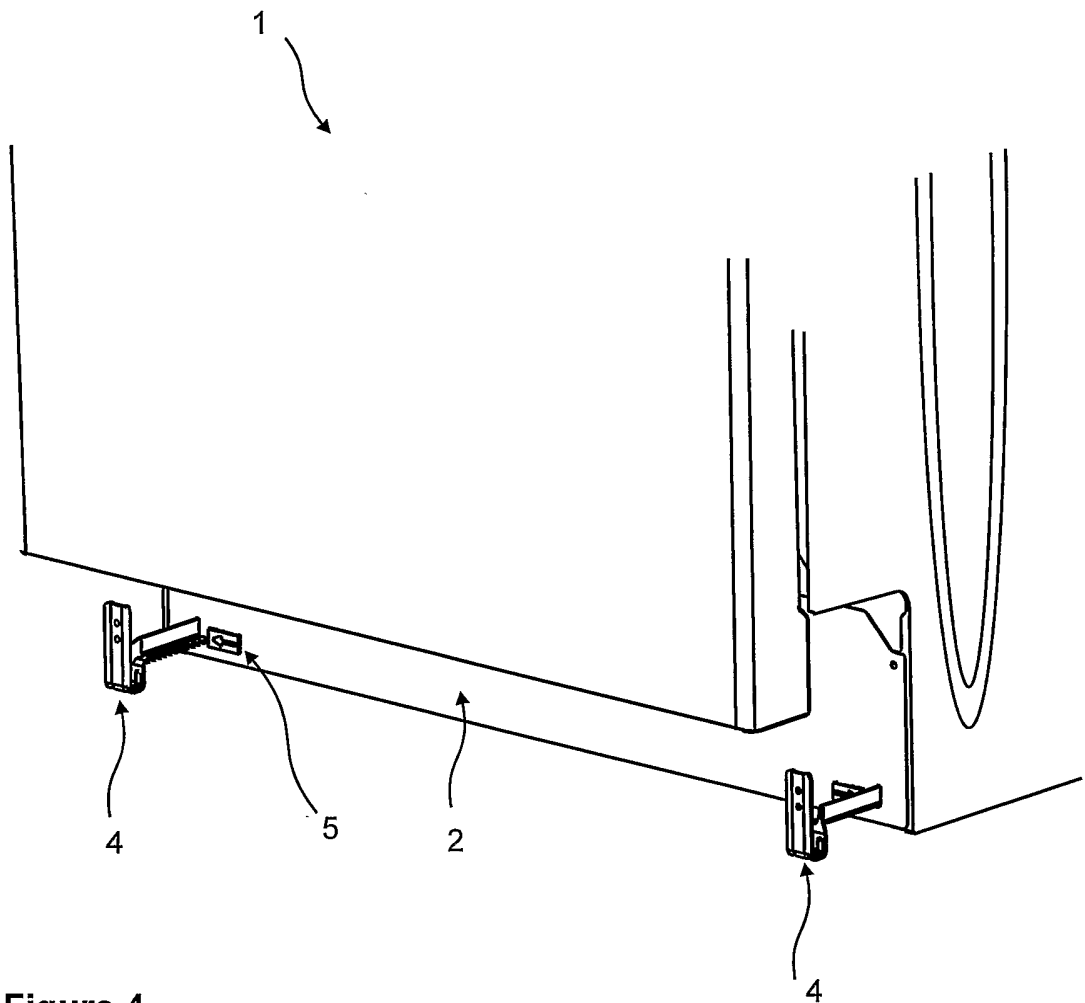


Figure 4

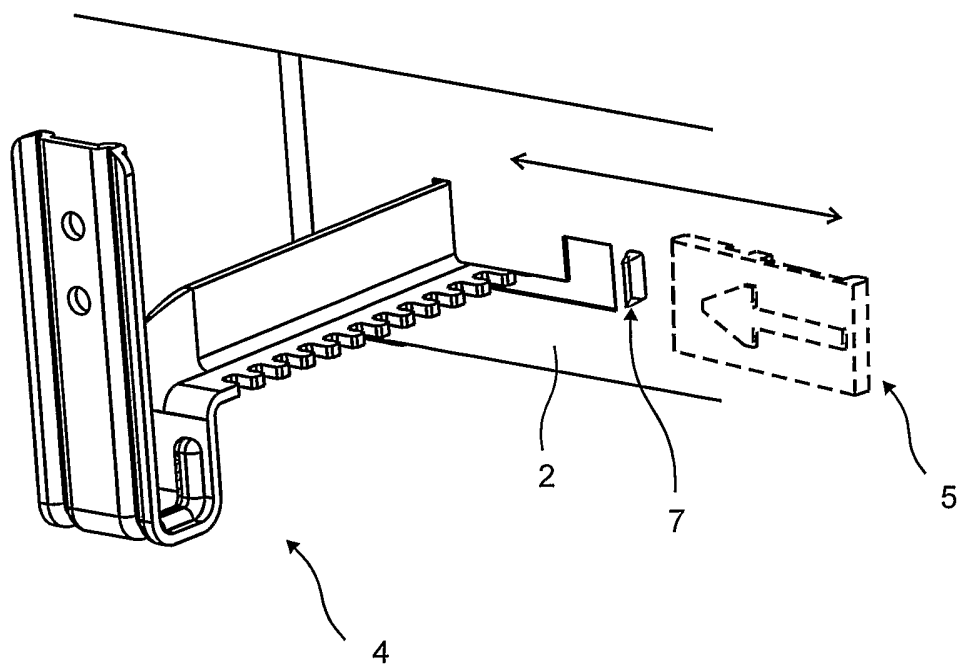


Figure 5

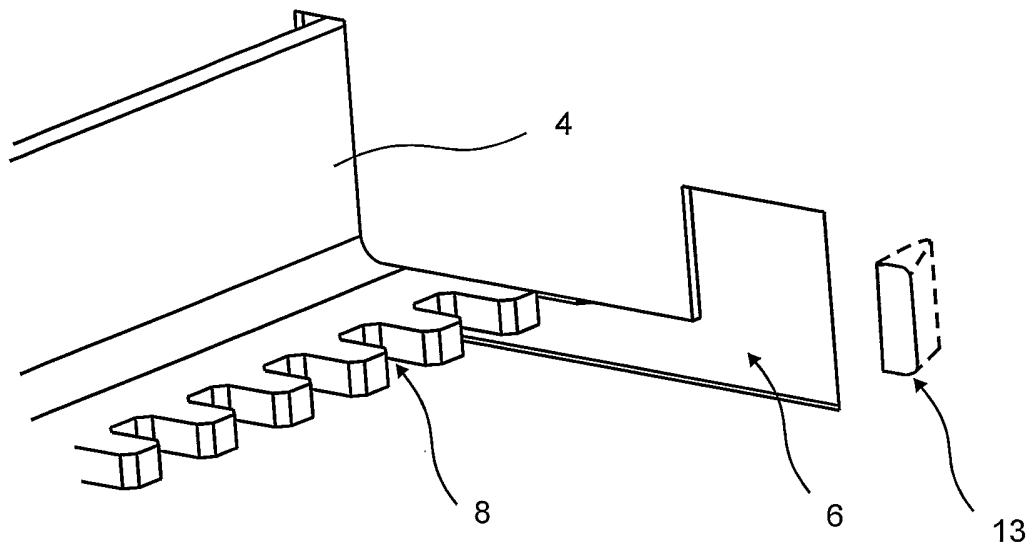


Figure 6

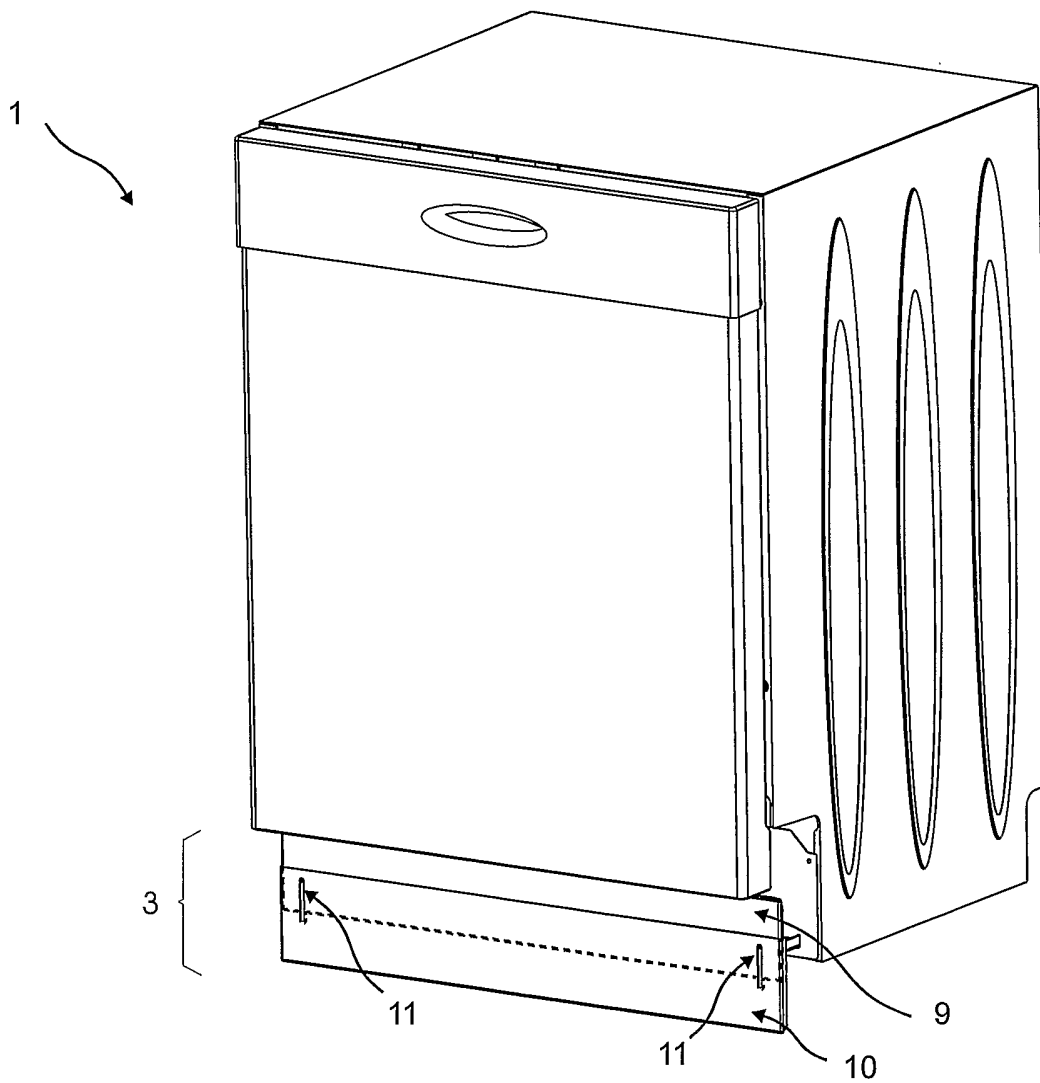


Figure 7a

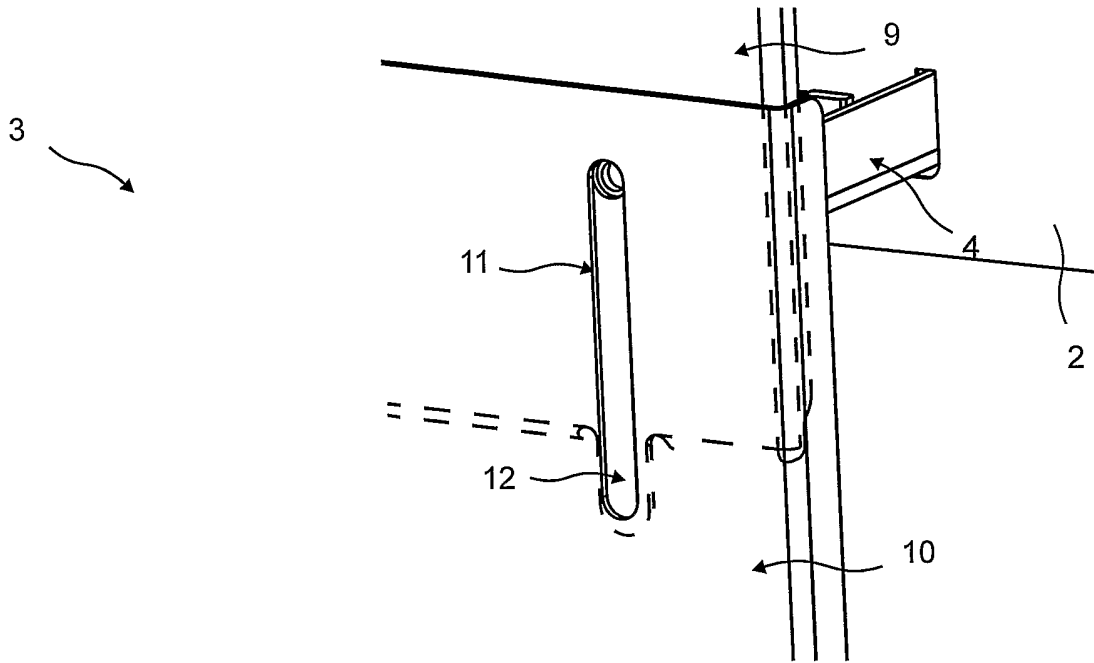
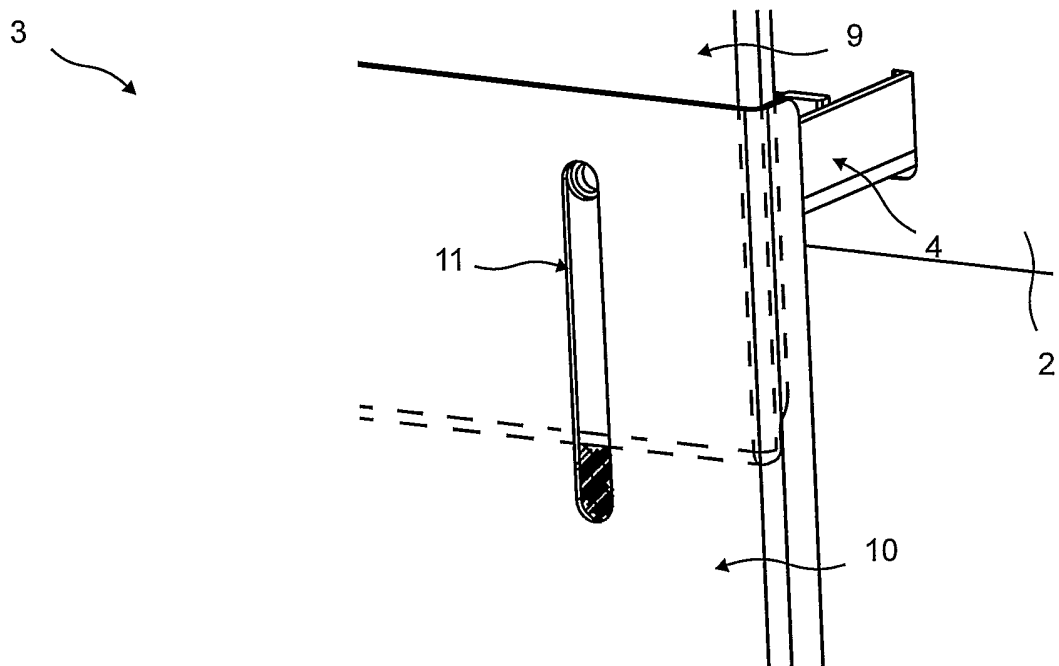


Figure 7b



INTERNATIONAL SEARCH REPORT

Internat. Application No  
PCT/TR 03/00100

A. CLASSIFICATION OF SUBJECT MATTER  
IPC 7 A47L15/42 D06F39/14

According to International Patent Classification (IPC) or to both national classification and IPC

B. FIELDS SEARCHED

Minimum documentation searched (classification system followed by classification symbols)  
IPC 7 A47L D06F F25D A21B A47J F24C

Documentation searched other than minimum documentation to the extent that such documents are included in the fields searched

Electronic data base consulted during the international search (name of data base and, where practical, search terms used)

EPO-Internal

C. DOCUMENTS CONSIDERED TO BE RELEVANT

Category °	Citation of document, with indication, where appropriate, of the relevant passages	Relevant to claim No.
X	GB 2 114 432 A (SMEG ELETTRODOMESTICI) 24 August 1983 (1983-08-24) page 1, line 50 - line 52 page 2, line 26 - line 35 page 2, line 40 - line 59; figure 1	1-5
Y	---	6
Y	DE 100 63 355 A (BSH BOSCH SIEMENS HAUSGERAETE) 20 June 2002 (2002-06-20) paragraph '0019!	6
X	US 3 912 350 A (GURUBATHAM VINCENT P) 14 October 1975 (1975-10-14) column 3, line 67 - column 4, line 2 column 4, line 19 - line 30; figures 3,4 --- -/--	1,3,5

Further documents are listed in the continuation of box C.

Patent family members are listed in annex.

° Special categories of cited documents :

- \*A\* document defining the general state of the art which is not considered to be of particular relevance
- \*E\* earlier document but published on or after the international filing date
- \*L\* document which may throw doubts on priority claim(s) or which is cited to establish the publication date of another citation or other special reason (as specified)
- \*O\* document referring to an oral disclosure, use, exhibition or other means
- \*P\* document published prior to the international filing date but later than the priority date claimed

- \*T\* later document published after the international filing date or priority date and not in conflict with the application but cited to understand the principle or theory underlying the invention
- \*X\* document of particular relevance; the claimed invention cannot be considered novel or cannot be considered to involve an inventive step when the document is taken alone
- \*Y\* document of particular relevance; the claimed invention cannot be considered to involve an inventive step when the document is combined with one or more other such documents, such combination being obvious to a person skilled in the art.
- \*&\* document member of the same patent family

Date of the actual completion of the international search

20 April 2004

Date of mailing of the international search report

27/04/2004

Name and mailing address of the ISA

European Patent Office, P.B. 5818 Patentlaan 2  
NL - 2280 HV Rijswijk  
Tel. (+31-70) 340-2040, Tx. 31 651 epo nl,  
Fax: (+31-70) 340-3016

Authorized officer

Papadimitriou, S

## INTERNATIONAL SEARCH REPORT

Internat	Application No
	PCT/TR 03/00100

C.(Continuation) DOCUMENTS CONSIDERED TO BE RELEVANT		
Category °	Citation of document, with indication, where appropriate, of the relevant passages	Relevant to claim No.
A	US 4 290 660 A (BREZOSKY BERNARD J) 22 September 1981 (1981-09-22) figures 1,3-5 ----	1
A	GB 635 178 A (STANLEY FENELEY BICKEL) 5 April 1950 (1950-04-05) figures 1,2 page 2, line 65 - line 70 page 3, line 21 - line 29 page 3, line 81 - line 95 ----	1
A	DE 93 18 955 U (LICENTIA GMBH) 25 August 1994 (1994-08-25) figure 1 ----	1
A	GB 2 222 650 A (AZIZ ERDINC) 14 March 1990 (1990-03-14) figure 2 ----	6,7
A	EP 1 169 963 A (BLUTHAUP GMBH & CO KG KUECHENS) 9 January 2002 (2002-01-09) paragraph '0042!; figure 10 ----	6
A	US 3 393 950 A (DUTCHER IVAL G ET AL) 23 July 1968 (1968-07-23) column 2, line 36 - line 55 column 3, line 14 - line 29 -----	6

# INTERNATIONAL SEARCH REPORT

Information on patent family members

Internat.	Application No
PCT/TR	03/00100

Patent document cited in search report	Publication date	Patent family member(s)	Publication date	
GB 2114432	A	24-08-1983	IT 1155278 B	28-01-1987
			AU 1073483 A	18-08-1983
			DE 8302614 U1	11-05-1983
			ES 269953 Y	16-01-1984
			FR 2521182 A3	12-08-1983
DE 10063355	A	20-06-2002	DE 10063355 A1	20-06-2002
			EP 1216644 A2	26-06-2002
US 3912350	A	14-10-1975	AU 7871775 A	09-09-1976
			BR 7501759 A	23-12-1975
			CA 1031406 A1	16-05-1978
US 4290660	A	22-09-1981	NONE	
GB 635178	A	05-04-1950	NONE	
DE 9318955	U	25-08-1994	DE 9318955 U1	25-08-1994
GB 2222650	A	14-03-1990	NONE	
EP 1169963	A	09-01-2002	DE 10031688 A1	17-01-2002
			EP 1169963 A1	09-01-2002
US 3393950	A	23-07-1968	NONE	