



US00D995778S

(12) **United States Design Patent**  
**Dykes**

(10) **Patent No.:** **US D995,778 S**

(45) **Date of Patent:** **\*\* Aug. 15, 2023**

(54) **INTRAOCULAR LENS PUNCH**

D754,331 S \* 4/2016 Wargner ..... D24/112  
D781,420 S \* 3/2017 Korenfeld ..... D24/150  
D819,817 S 6/2018 Weston et al.

(Continued)

(71) Applicant: **International Science & Technology, LP**, The Woodlands, TX (US)

**FOREIGN PATENT DOCUMENTS**

(72) Inventor: **Ronald Dykes**, The Woodlands, TX (US)

CN 305570245 \* 1/2020  
CN 307312151 \* 5/2022

(Continued)

(\*\*) Term: **15 Years**

**OTHER PUBLICATIONS**

(21) Appl. No.: **29/788,806**

(22) Filed: **Jul. 29, 2021**

“Radiance Therapeutics: CEO Laurence Marsteller presenting at Eyeceleator 2022.” Found online at youtube.com. Mar. 16, 2023. Reference dated Oct. 18, 2022. Retrieved from <https://www.youtube.com/watch?v=sdkOXVcibF4>.\*

(Continued)

(51) **LOC (14) Cl.** ..... **24-02**

(52) **U.S. Cl.**  
USPC ..... **D24/150**

(58) **Field of Classification Search**  
USPC ..... D24/143, 146, 147, 149, 150, 157, 158, D24/160, 172  
CPC ..... A61F 9/00709; A61F 2009/00885; A61F 2009/00887; A61F 2009/00889; A61F 2009/00825; A61F 2009/00872; A61F 2/167; A61B 17/32; A61B 17/3211  
See application file for complete search history.

*Primary Examiner* — Kendra Leslie Hamilton  
*Assistant Examiner* — Elizabeth S Struble  
(74) *Attorney, Agent, or Firm* — Bradley Arant Boult Cummings LLP; Henry L. Ehrlich

(57) **CLAIM**

The ornamental design for an intraocular lens punch, as shown and described.

**DESCRIPTION**

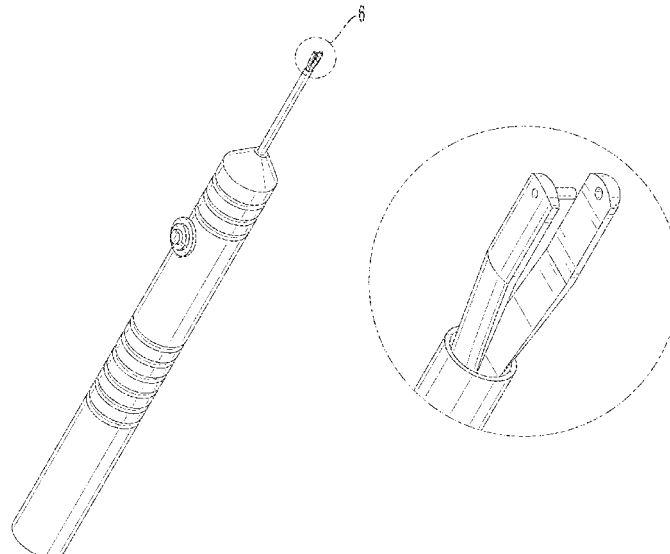
(56) **References Cited**

**U.S. PATENT DOCUMENTS**

4,190,050	A	2/1980	Bailey	
4,336,805	A	6/1982	Smirmaul	
4,423,728	A	1/1984	Lieberman	
4,750,491	A	6/1988	Kaufman et al.	
4,763,651	A	8/1988	Kaufman et al.	
4,796,623	A	1/1989	Krasner et al.	
5,084,059	A	1/1992	Metzger	
D328,644	S *	8/1992	Pericic	D24/150
5,269,795	A	12/1993	Arnott	
5,290,301	A	3/1994	Lieberman	
5,632,757	A	5/1997	Arnott	
6,582,445	B1	6/2003	Koons	
D526,411	S *	8/2006	Easley	D24/150
D748,256	S *	1/2016	Wagner	D24/140

FIG. 1 is a top, front, right perspective view of an intraocular lens punch, showing my new design;  
FIG. 2 is a top plan view thereof;  
FIG. 3 is a bottom plan view thereof;  
FIG. 4 is a right side elevation view thereof;  
FIG. 5 is a front, end view thereof;  
FIG. 6 is an enlarged view of detail “6” identified in FIG. 1 for clarity of disclosure;  
FIG. 7 is an enlarged view of detail “7” identified in FIG. 3 for clarity of disclosure; and,  
FIG. 8 is an enlarged view of detail “8” identified in FIG. 4 for clarity of disclosure.

**1 Claim, 6 Drawing Sheets**



(56)

**References Cited**

U.S. PATENT DOCUMENTS

10,080,685	B2	9/2018	Weston et al.	
D836,771	S *	12/2018	Tseng .....	D24/112
10,149,785	B2	12/2018	Thistle	
D841,164	S *	2/2019	Flowers .....	D24/150
D940,865	S *	1/2022	Khan .....	D24/150
D972,138	S *	12/2022	Holderby .....	D24/150
2003/0199883	A1 *	10/2003	Laks .....	A61F 9/00709 606/107
2006/0212040	A1 *	9/2006	Goldstein .....	A61F 9/00709 606/107
2014/0031845	A1 *	1/2014	Rynerson .....	A61F 13/38 606/162
2016/0067096	A1	3/2016	Weston et al.	
2022/0212032	A1 *	7/2022	Marsteller .....	A61N 5/1007

FOREIGN PATENT DOCUMENTS

HK	2220171-0001	*	1/2022
KR	301200242.0000	*	1/2023

OTHER PUBLICATIONS

“American Academy of Ophthalmology: Novel IOL Punch-and-Rescue Technique for Single-Piece Lenses.” Found online at aao.org. Mar. 16, 2023. Reference dated Jun. 23, 2021. Retrieved from <https://www.aao.org/education/clinical-video/novel-iol-punch-rescue-technique-single-piece-lens>.\*

“Diamatrix: Concept to Creation.” Found online at youtube.com. Mar. 16, 2023. Reference dated Jun. 24, 2021. Retrieved from [https://www.youtube.com/watch?v=kuEbd\\_fcf8k](https://www.youtube.com/watch?v=kuEbd_fcf8k).\*

“AliExpress: Titanium Kuglen Iris Hook and Lens Manipulator.” Found online at aliexpress.com. Mar. 16, 2023. Reference dated Nov. 30, 2022. Retrieved from <https://www.aliexpress.us/item/2255800223699318.html?>\*

\* cited by examiner

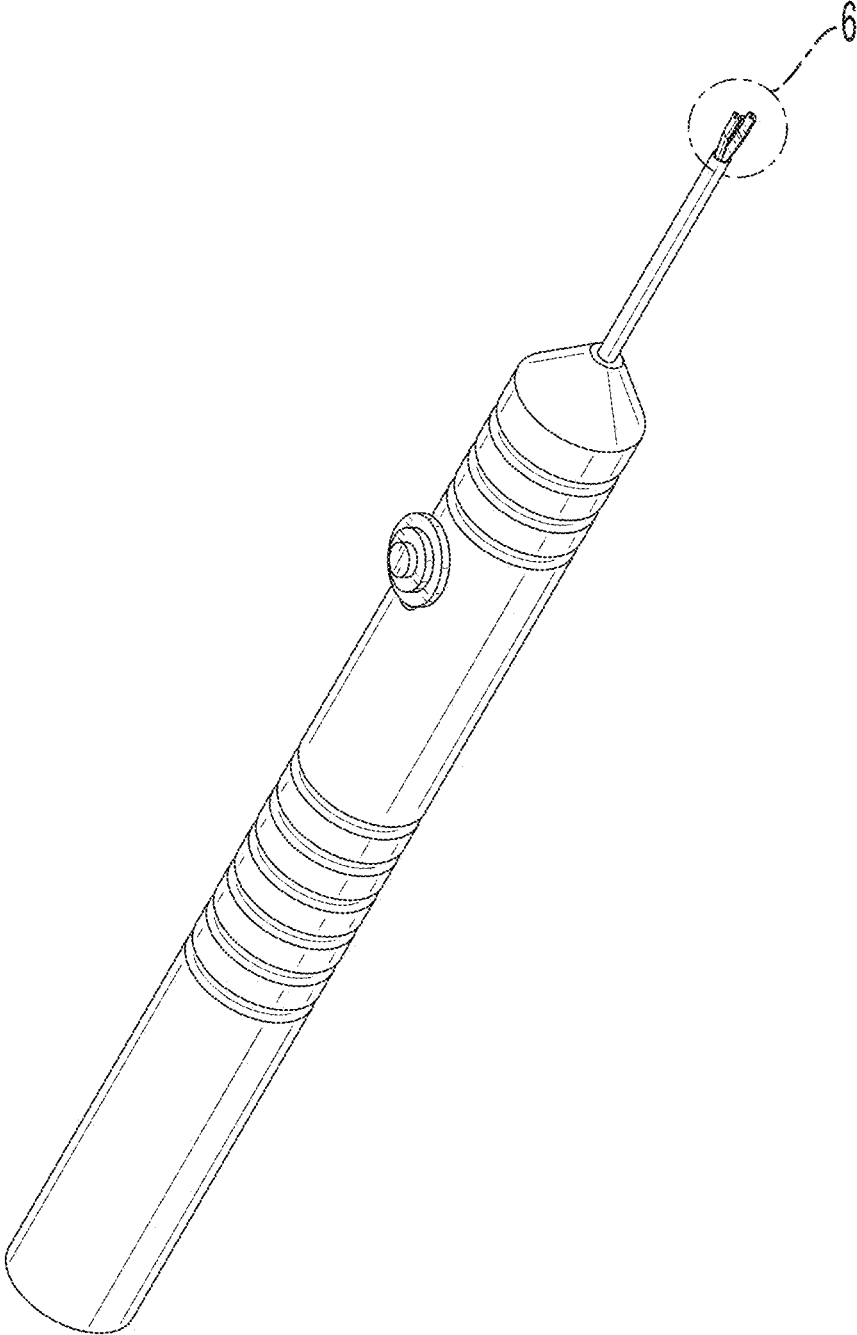


FIG. 1

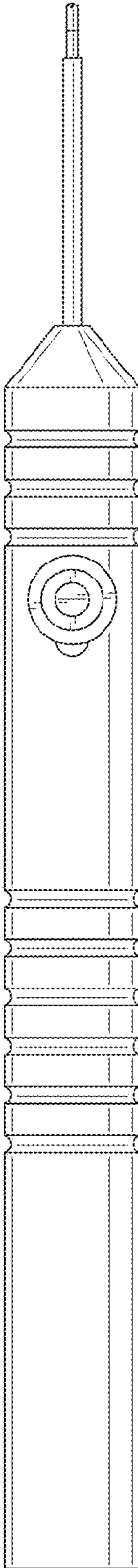


FIG. 2

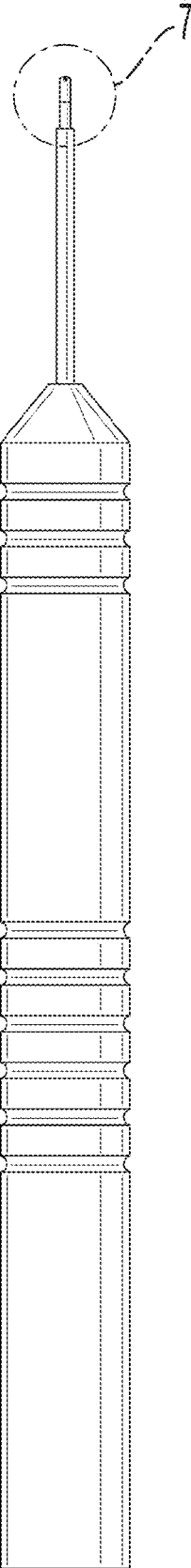


FIG. 3

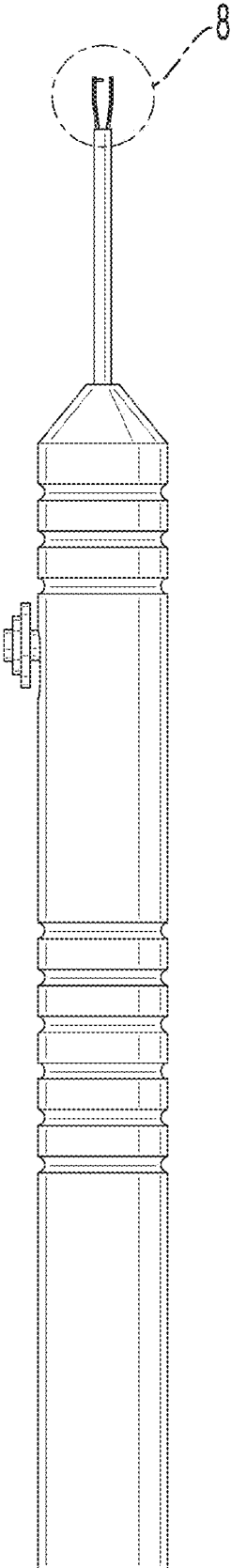


FIG. 4

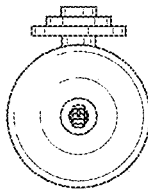


FIG. 5

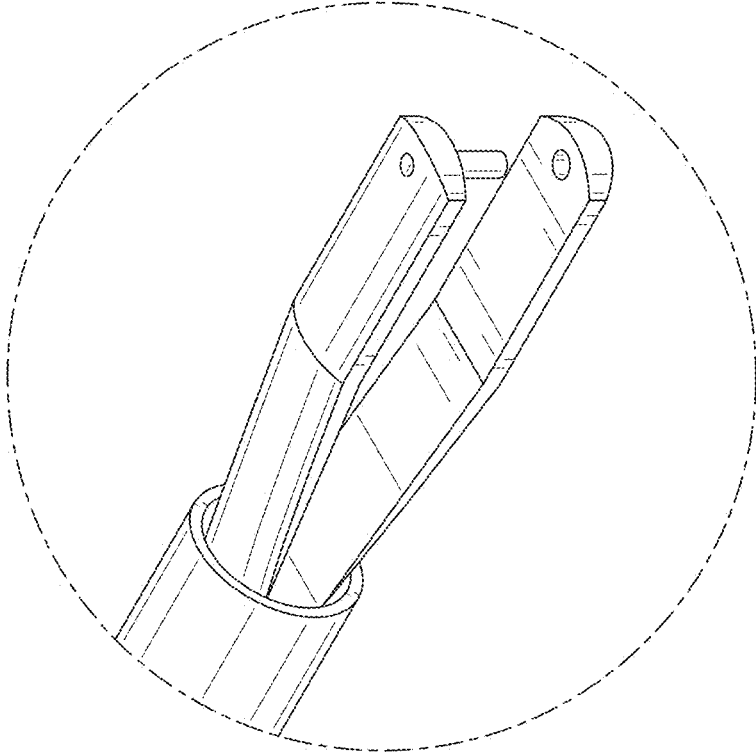


FIG. 6

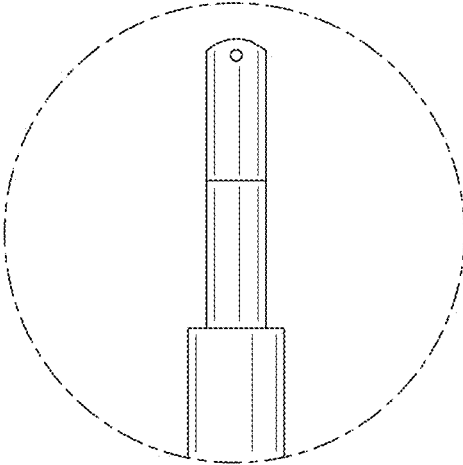


FIG. 7

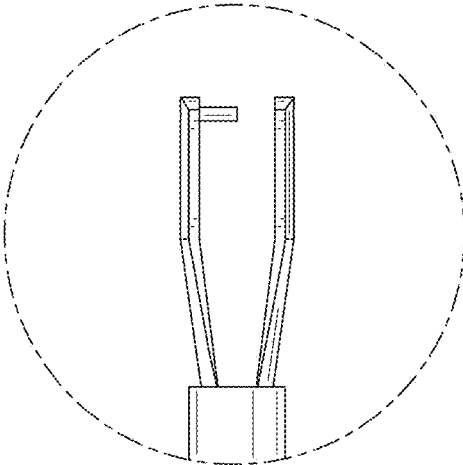


FIG. 8