



US00D348580S

# United States Patent [19]

[11] Patent Number: Des. 348,580

Heikkila et al.

[45] Date of Patent: \*\* Jul. 12, 1994

## [54] COMBINED TOOTHPASTE TUBE DISPENSER AND TOOTHBRUSH HOLDER

[76] Inventors: **Unto A. Heikkila**, Tuurintie 1, SF 20100 Turku; **Hannu K. Hartman**, Rauhankatu 1, 20100 Turku 10, both of Finland

[\*\*] Term: **14 Years**

[21] Appl. No.: **455**

[22] Filed: **Oct. 15, 1992**

[52] U.S. Cl. .... **D6/541**

[58] Field of Search ..... **D6/541; 206/277; 222/92, 95, 102; 248/108**

### [56] References Cited

#### U.S. PATENT DOCUMENTS

D. 212,427	10/1968	Korol .....	D6/541
D. 335,601	5/1993	Heikkila et al. ....	D6/541
1,450,055	3/1923	Trumbull .....	D6/541 X
3,194,440	7/1965	Watson, Jr. ....	D6/541 X

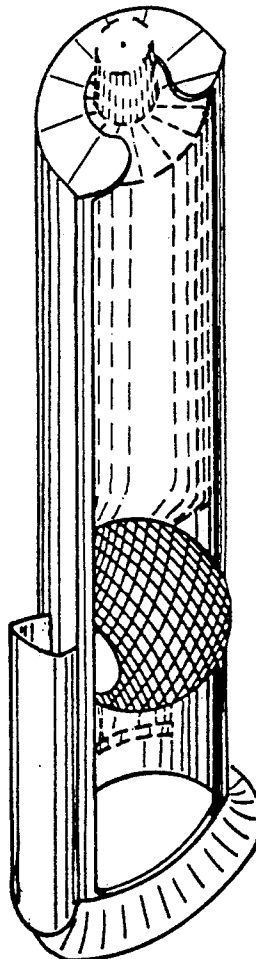
Primary Examiner—Brian N. Vinson  
Attorney, Agent, or Firm—Jack N. McCarthy

## [57] CLAIM

The ornamental design for a combined toothpaste tube dispenser and toothbrush holder, having a manually operated actuating sphere, as shown and described.

## DESCRIPTION

FIG. 1 is a front elevational view of a combined toothpaste tube dispenser and toothbrush holder showing my new design;  
 FIG. 2 is a left side elevational view thereof;  
 FIG. 3 is a bottom plan view thereof;  
 FIG. 4 is a top plan view thereof;  
 FIG. 5 is a horizontal cross-sectional view thereof, taken along line 5—5 of FIG. 1;  
 FIG. 6 is a horizontal cross-sectional view thereof, taken along line 6—6 of FIG. 1;  
 FIG. 7 is a right side elevational view thereof;  
 FIG. 8 is a rear elevational view thereof;  
 FIG. 9 is an enlarged, fragmentary bottom plan view thereof; and,  
 FIG. 10 is a reduced top, front, and left side perspective view thereof, the broken-line disclosure of a toothpaste tube being for illustrative purposes only and forming no part of the claimed design.



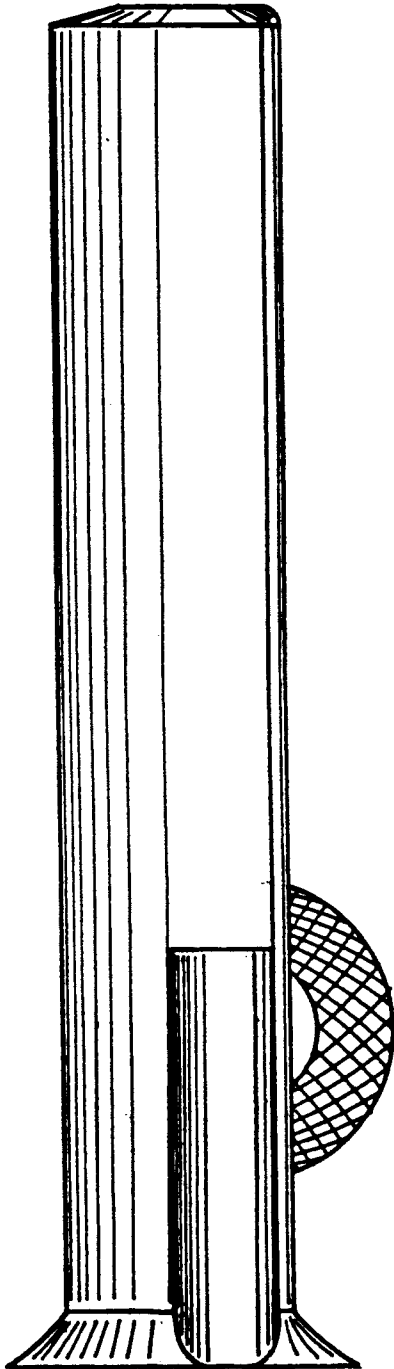


FIG. 2

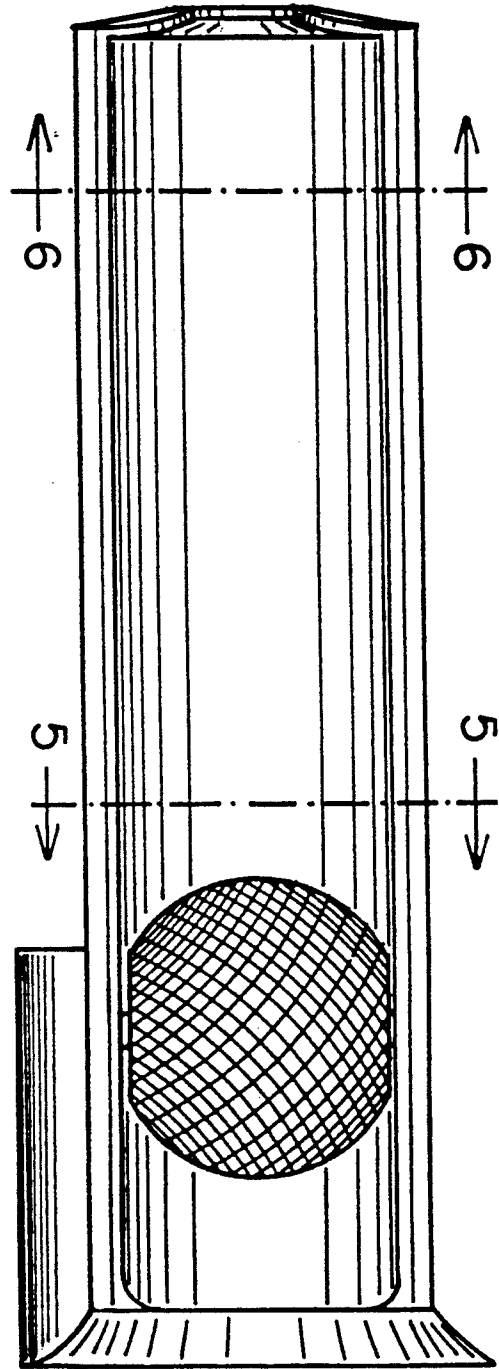


FIG. 1

FIG. 4

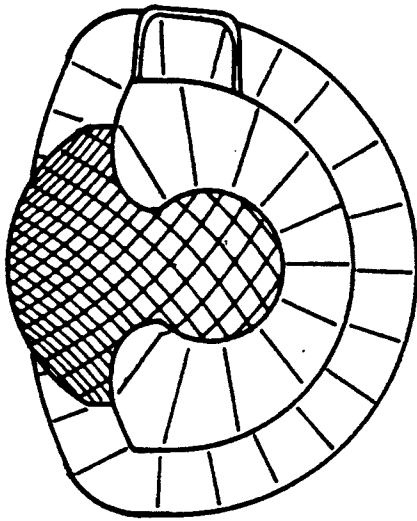


FIG. 6

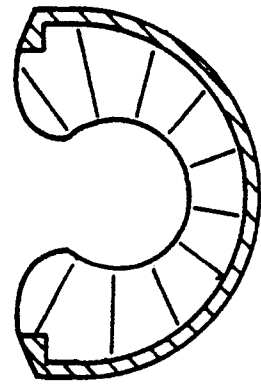


FIG. 3

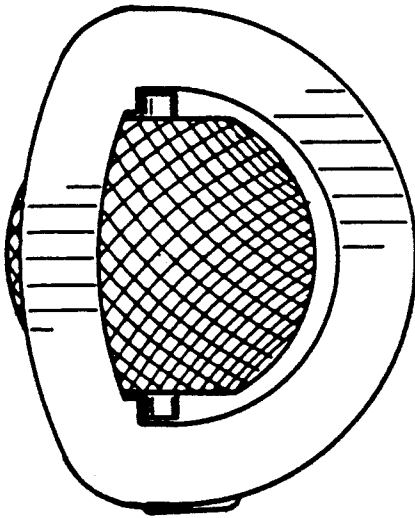


FIG. 5

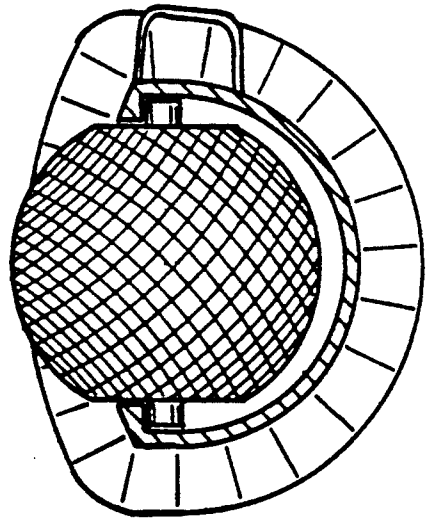
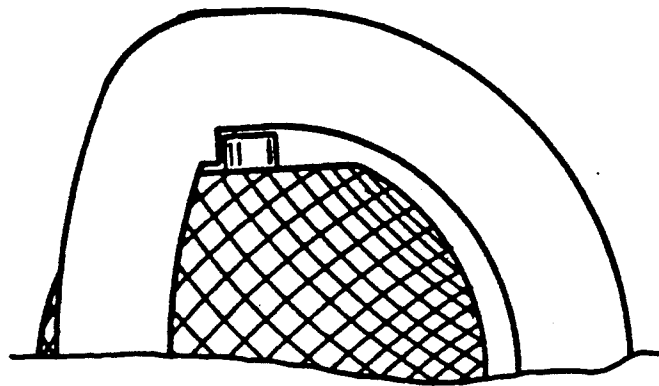


FIG. 9



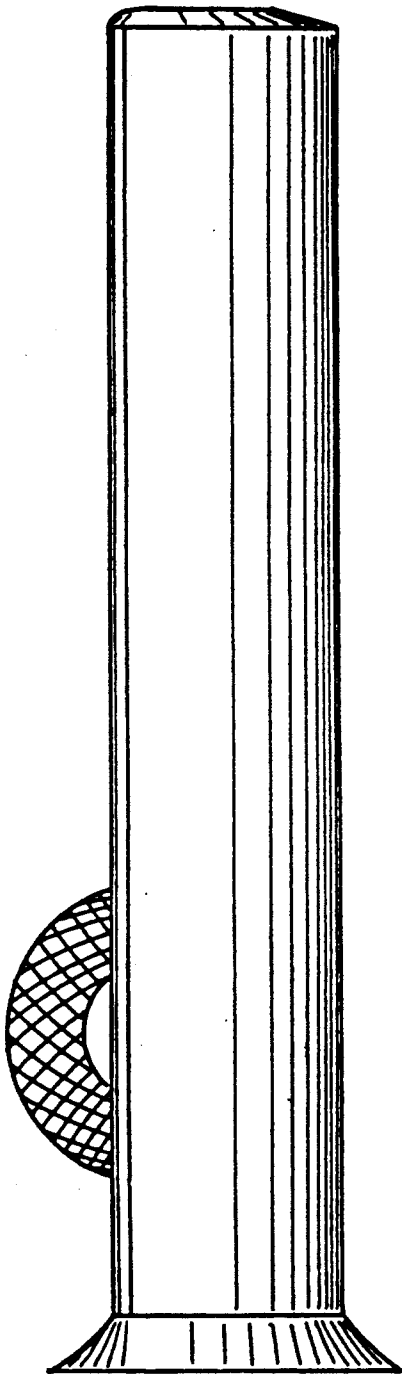


FIG. 7

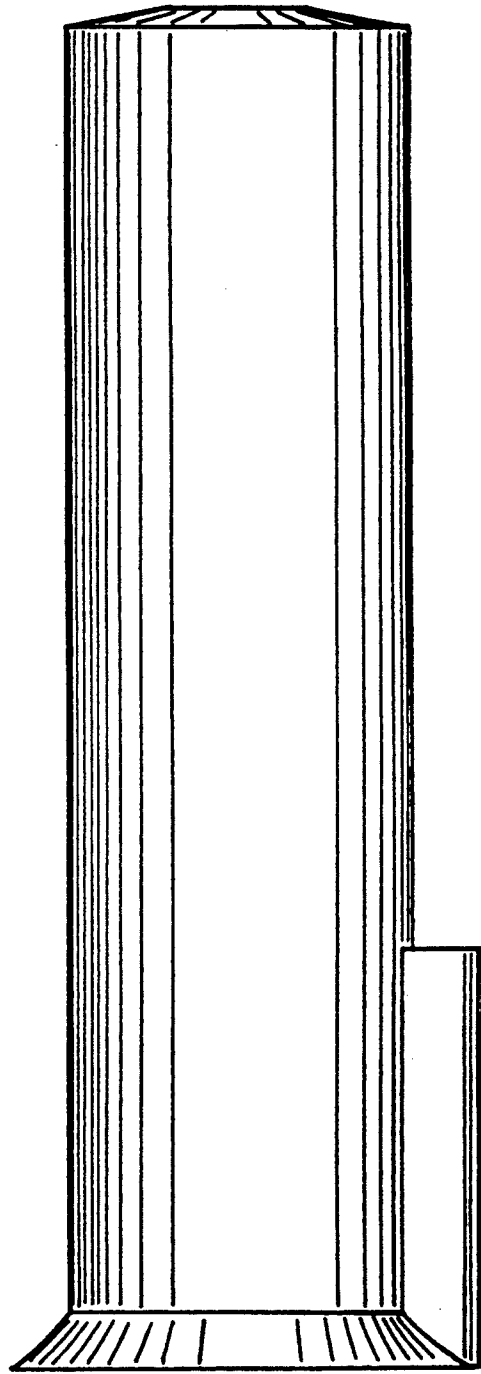


FIG. 8

FIG. 10

