

[54] VEHICLE FRAME

[76] Inventor: Samuel P. Hundley, 1512 W. Springfield Ave., Champaign, Ill. 61820

[**] Term: 14 Years

[21] Appl. No.: 145,506

[22] Filed: Apr. 29, 1980

[51] Int. Cl. D12-14

[52] U.S. Cl. D21/71; D12/107

[58] Field of Search D12/107; D21/71; 280/87.01, 87.02 R, 282

[56] References Cited

U.S. PATENT DOCUMENTS

D. 127,915 6/1941 Weller, Jr. D12/107
D. 195,473 6/1963 Hundley D21/71

Primary Examiner—James M. Gandy
Attorney, Agent, or Firm—Harvey B. Jacobson

[57] CLAIM

The ornamental design for a vehicle frame, as shown and described.

DESCRIPTION

FIG. 1 is a side elevational view of a vehicle frame showing my new design;

FIG. 2 is a top plan view thereof;

FIG. 3 is a front elevational view thereof; and

FIG. 4 is a rear elevational view thereof.

The broken lines showing the wheels, handlebars and seat are for illustrative purposes only.

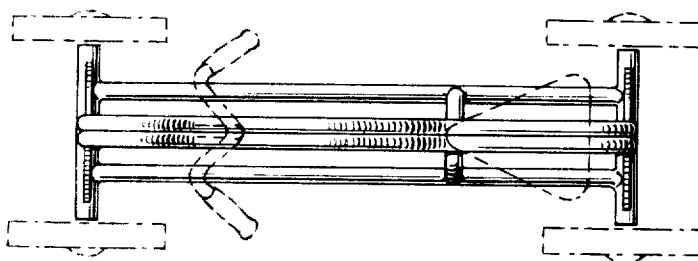
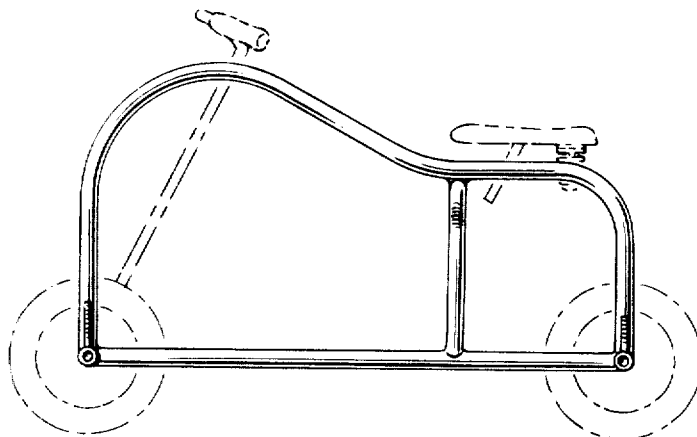


Fig. 1

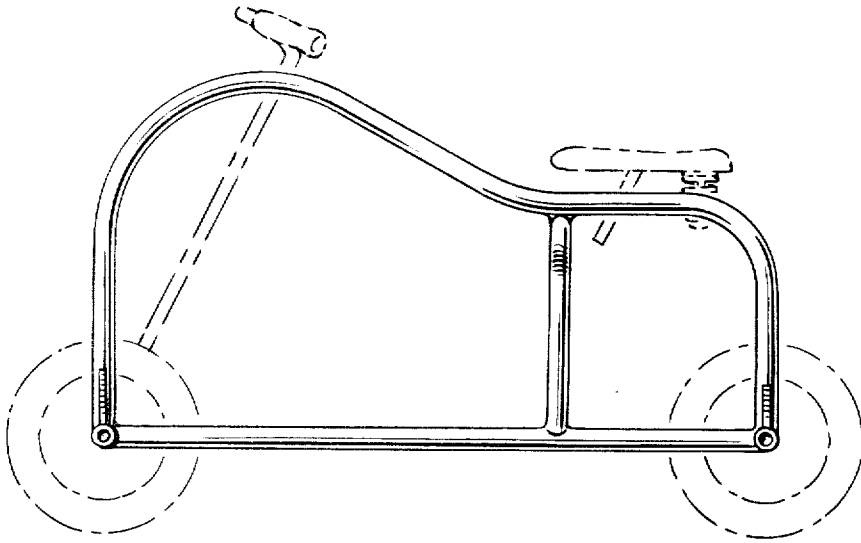


Fig. 2

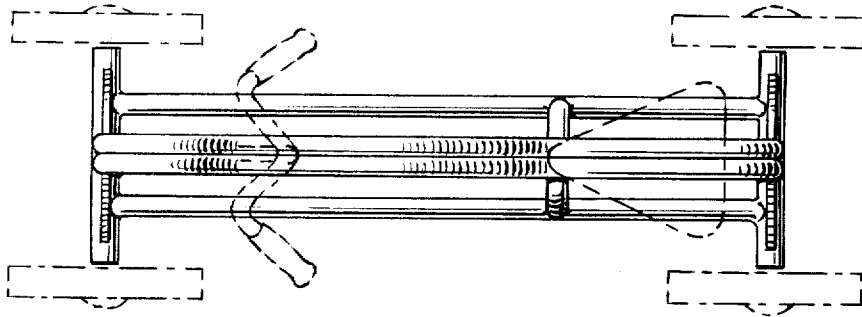


Fig. 3

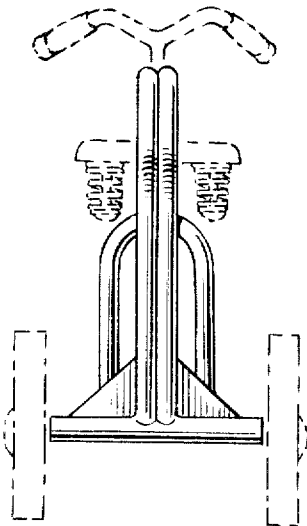


Fig. 4

