



(43) International Publication Date  
26 September 2013 (26.09.2013)

- (51) **International Patent Classification:**  
*A47F 13/00* (2006.01)    *A47B 97/00* (2006.01)  
*A47B 96/02* (2006.01)    *A47F 5/10* (2006.01)
- (21) **International Application Number:**  
PCT/US2013/033143
- (22) **International Filing Date:**  
20 March 2013 (20.03.2013)
- (25) **Filing Language:** English
- (26) **Publication Language:** English
- (30) **Priority Data:**  
61/613,463    20 March 2012 (20.03.2012)    US
- (71) **Applicant:** RTC INDUSTRIES, INC. [US/US]; 2800  
Golf Road, Rolling Meadows, Illinois 60008 (US).
- (72) **Inventor; and**
- (71) **Applicant (for US only):** BARENBRUGGE, Joel  
[US/US]; 1436 Terrance Drive, Naperville, Illinois 60565  
(US).
- (74) **Agent:** MAY, Matthew J.; Banner & Witcoff, Ltd., 10 S.  
Wacker Drive, Suite 3000, Chicago, Illinois 60606-7407  
(US).
- (81) **Designated States (unless otherwise indicated, for every  
kind of national protection available):** AE, AG, AL, AM,  
AO, AT, AU, AZ, BA, BB, BG, BH, BN, BR, BW, BY,

BZ, CA, CH, CL, CN, CO, CR, CU, CZ, DE, DK, DM,  
DO, DZ, EC, EE, EG, ES, FI, GB, GD, GE, GH, GM, GT,  
HN, HR, HU, ID, IL, IN, IS, JP, KE, KG, KM, KN, KP,  
KR, KZ, LA, LC, LK, LR, LS, LT, LU, LY, MA, MD,  
ME, MG, MK, MN, MW, MX, MY, MZ, NA, NG, NI,  
NO, NZ, OM, PA, PE, PG, PH, PL, PT, QA, RO, RS, RU,  
RW, SC, SD, SE, SG, SK, SL, SM, ST, SV, SY, TH, TJ,  
TM, TN, TR, TT, TZ, UA, UG, US, UZ, VC, VN, ZA,  
ZM, ZW.

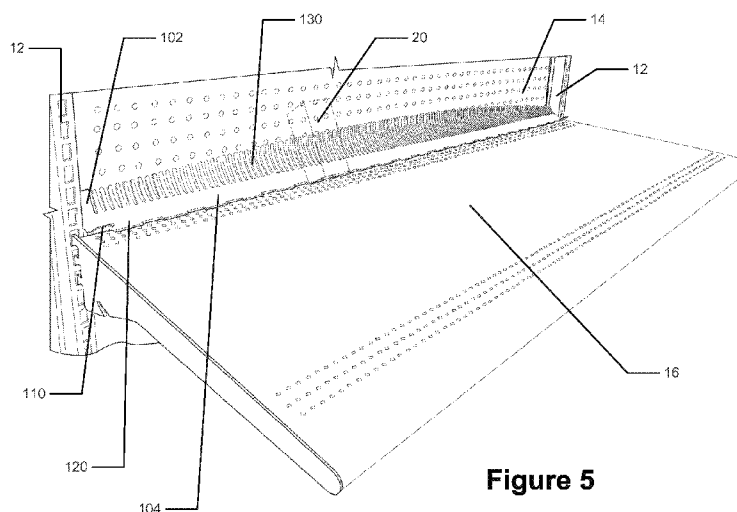
- (84) **Designated States (unless otherwise indicated, for every  
kind of regional protection available):** ARIPO (BW, GH,  
GM, KE, LR, LS, MW, MZ, NA, RW, SD, SL, SZ, TZ,  
UG, ZM, ZW), Eurasian (AM, AZ, BY, KG, KZ, RU, TJ,  
TM), European (AL, AT, BE, BG, CH, CY, CZ, DE, DK,  
EE, ES, FI, FR, GB, GR, HR, HU, IE, IS, IT, LT, LU, LV,  
MC, MK, MT, NL, NO, PL, PT, RO, RS, SE, SI, SK, SM,  
TR), OAPI (BF, BJ, CF, CG, CI, CM, GA, GN, GQ, GW,  
ML, MR, NE, SN, TD, TG).

**Published:**

- with international search report (Art. 21(3))
- before the expiration of the time limit for amending the  
claims and to be republished in the event of receipt of  
amendments (Rule 48.2(h))

- (88) **Date of publication of the international search report:**  
3 January 2014

(54) **Title:** SHELF GAP SPACER DEVICE FOR A MERCHANDISE DISPLAY SYSTEM



**Figure 5**

(57) **Abstract:** Aspects of the disclosure relate to a spacer device (100) for use with a merchandise display. The merchandise display may include a first upright (12) and a second upright (12) opposite the first upright, a pegboard (14) mounted between the two uprights, and at least one shelf (16) mounted to the two uprights (12), wherein the configuration includes a gap (18) between a back of the shelf (16) and the pegboard (14). The spacer device may include two opposing ends. Each of the opposing ends may include a support arm (114) that extends downward towards the gap (18), a mounting arm (112) that extends downward towards the gap (18), and a tab (110) that projects outward and away from the mounting arm (112). The spacer device (100) may also include a gap filler portion (104) extending between the two opposing ends wherein when the device (100) is secured in the gap (18), the gap filler portion (104) fills the gap (18).



# INTERNATIONAL SEARCH REPORT

International application No PCT/US2013/033143
---------------------------------------------------

**A. CLASSIFICATION OF SUBJECT MATTER**  
 INV. A47F13/00 A47B96/02 A47B97/00  
 ADD. A47F5/10

According to International Patent Classification (IPC) or to both national classification and IPC

**B. FIELDS SEARCHED**

Minimum documentation searched (classification system followed by classification symbols)  
 A47B A47F B60J A47K

Documentation searched other than minimum documentation to the extent that such documents are included in the fields searched

Electronic data base consulted during the international search (name of data base and, where practicable, search terms used)

EPO-Internal

**C. DOCUMENTS CONSIDERED TO BE RELEVANT**

Category*	Citation of document, with indication, where appropriate, of the relevant passages	Relevant to claim No.
X	GB 2 429 911 A (FITTON ERNEST WILLIAM [GB]) 14 March 2007 (2007-03-14) page 7, paragraph 2 - paragraph 3 figures 5-6 -----	1-9, 17-20
X	JP 2004 337471 A (NORITZ CORP) 2 December 2004 (2004-12-02) abstract; figures 1-5 -----	1-9
X	JP H11 336208 A (SEKISUI CHEMICAL CO LTD) 7 December 1999 (1999-12-07) abstract; figures 1-3 -----	1-9
X	GB 2 096 060 A (ROBERTS TERENCE JOHN) 13 October 1982 (1982-10-13) figure 2 -----	1-9
	----- -/--	

Further documents are listed in the continuation of Box C.

See patent family annex.

\* Special categories of cited documents :

- "A" document defining the general state of the art which is not considered to be of particular relevance
- "E" earlier application or patent but published on or after the international filing date
- "L" document which may throw doubts on priority claim(s) or which is cited to establish the publication date of another citation or other special reason (as specified)
- "O" document referring to an oral disclosure, use, exhibition or other means
- "P" document published prior to the international filing date but later than the priority date claimed

"T" later document published after the international filing date or priority date and not in conflict with the application but cited to understand the principle or theory underlying the invention

"X" document of particular relevance; the claimed invention cannot be considered novel or cannot be considered to involve an inventive step when the document is taken alone

"Y" document of particular relevance; the claimed invention cannot be considered to involve an inventive step when the document is combined with one or more other such documents, such combination being obvious to a person skilled in the art

"&" document member of the same patent family

Date of the actual completion of the international search

13 November 2013

Date of mailing of the international search report

20/11/2013

Name and mailing address of the ISA/

European Patent Office, P.B. 5818 Patentlaan 2  
 NL - 2280 HV Rijswijk  
 Tel. (+31-70) 340-2040,  
 Fax: (+31-70) 340-3016

Authorized officer

Bitton, Alexandre

## INTERNATIONAL SEARCH REPORT

International application No

PCT/US2013/033143

C(Continuation). DOCUMENTS CONSIDERED TO BE RELEVANT

Category*	Citation of document, with indication, where appropriate, of the relevant passages	Relevant to claim No.
X	EP 0 922 596 A1 (BTR SEALING SYSTEMS FRANCE [FR] METZELER AUTOMOTIVE PROFILE [FR]) 16 June 1999 (1999-06-16) figures 3-4	1-5,8, 17-20
X	----- US 2006/000148 A1 (MUGISHIMA SATOSHI [JP] ET AL) 5 January 2006 (2006-01-05) figure 2	1-5
X A	----- US 2007/267375 A1 (BATTAGLIA JOSEPH MARCUS [US] ET AL BATTAGLIA JR JOSEPH MARCUS [US] ET) 22 November 2007 (2007-11-22) the whole document	10,11 12
A	----- CA 2 228 085 A1 (WALTEC PLASTICS INC [CA]) 28 July 1999 (1999-07-28) page 10, line 7 - line 15 figures 1,7,8	10,11
A	----- US 3 429 628 A (LASZLO KARL) 25 February 1969 (1969-02-25) column 2, line 15 - line 35 figure 1	10
A	----- EP 0 527 658 A1 (DONNELLY CORP [US] DONNELLY TECHNOLOGY INC [US]) 17 February 1993 (1993-02-17) column 8, line 9 - line 23 figures 1-3	10
	-----	

# INTERNATIONAL SEARCH REPORT

Information on patent family members

International application No PCT/US2013/033143
---------------------------------------------------

Patent document cited in search report	A	Publication date	Patent family member(s)	Publication date
GB 2429911	A	14-03-2007	NONE	
-----				
JP 2004337471	A	02-12-2004	JP 4175176 B2	05-11-2008
			JP 2004337471 A	02-12-2004
-----				
JP H11336208	A	07-12-1999	NONE	
-----				
GB 2096060	A	13-10-1982	NONE	
-----				
EP 0922596	A1	16-06-1999	DE 69820403 D1	22-01-2004
			DE 69820403 T2	14-10-2004
			EP 0922596 A1	16-06-1999
			ES 2212239 T3	16-07-2004
			FR 2771969 A1	11-06-1999
-----				
US 2006000148	A1	05-01-2006	AU 2005202827 A1	19-01-2006
			JP 2006015768 A	19-01-2006
			US 2006000148 A1	05-01-2006
-----				
US 2007267375	A1	22-11-2007	NONE	
-----				
CA 2228085	A1	28-07-1999	NONE	
-----				
US 3429628	A	25-02-1969	CH 453399 A	14-06-1968
			US 3429628 A	25-02-1969
-----				
EP 0527658	A1	17-02-1993	CA 2073515 A1	15-02-1993
			DE 69220731 D1	14-08-1997
			DE 69220731 T2	26-02-1998
			EP 0527658 A1	17-02-1993
			ES 2103346 T3	16-09-1997
			US 5297486 A	29-03-1994
			US 5406894 A	18-04-1995
-----				