



US00D970479S

(12) **United States Design Patent**
Imamura et al.

(10) **Patent No.:** **US D970,479 S**
(45) **Date of Patent:** **** Nov. 22, 2022**

(54) **MICROPHONE STAND**
(71) Applicant: **Audio-Technica Corporation**, Tokyo (JP)
(72) Inventors: **Takahiro Imamura**, Tokyo (JP); **Sean Bryson**, Tokyo (JP)

D432,527 S * 10/2000 DeLeon D14/240
D439,219 S * 3/2001 Minagawa D13/108
D499,399 S * 12/2004 Hao D14/240
D624,905 S * 10/2010 Lee D14/229
D720,336 S * 12/2014 Ervin D14/240
(Continued)

(73) Assignee: **Audio-Technica Corporation**, Tokyo (JP)
(**) Term: **15 Years**

FOREIGN PATENT DOCUMENTS

CN 304716870 * 7/2018
CN 306721725 * 7/2021
CN 307048443 * 1/2022

(21) Appl. No.: **29/749,688**
(22) Filed: **Sep. 8, 2020**

OTHER PUBLICATIONS

Tonor Conference, first available Aug. 27, 2018 [online], [retrieved Feb. 15, 2022]. Available from the Internet, URL:<https://www.amazon.com/dp/B07GVGMW59/ref=cm_sw_em_r_mt_dp_J48JY6HBRYHMTKB935BB>. (Year: 2018).*

(30) **Foreign Application Priority Data**

Mar. 12, 2020 (JP) 2020-004931

(Continued)

(51) **LOC (13) Cl.** **14-01**
(52) **U.S. Cl.**
USPC **D14/225**

Primary Examiner — Shawn T Gingrich
Assistant Examiner — Russell Carnell Smith, Jr.
(74) *Attorney, Agent, or Firm* — WCF IP

(58) **Field of Classification Search**
USPC ... D14/150, 154, 155, 158, 160, 172, 209.1, D14/221, 224, 225, 226, 227, 228, 229; D17/99; D21/405, 513
CPC H04R 19/00; H04R 19/04; H04R 1/04; H04R 1/08; H04R 1/326; H04R 1/406; H04R 29/004; H04R 2410/00; H04R 2410/01; H04R 2410/03; H04R 2410/05; H04R 2410/07; H04R 2420/07; H04R 17/02

(57) **CLAIM**

The ornamental design for a microphone stand, as shown and described.

See application file for complete search history.

DESCRIPTION

FIG. 1 is a perspective view of a microphone stand, showing our new design;
FIG. 2 is a front view thereof;
FIG. 3 is a rear view thereof;
FIG. 4 is a top plan view thereof;
FIG. 5 is a bottom plan view thereof;
FIG. 6 is a left side view thereof; and,
FIG. 7 is a right side view thereof.

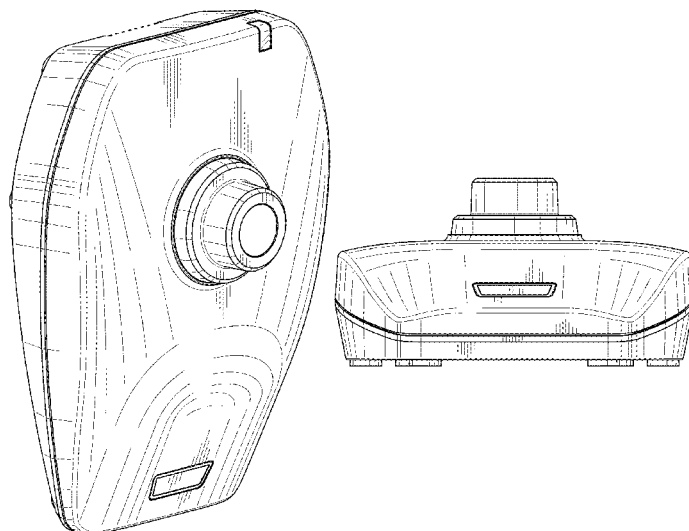
(56) **References Cited**

U.S. PATENT DOCUMENTS

D234,957 S * 4/1975 Huntington D14/225
D247,668 S * 4/1978 Furst D14/225
D252,085 S * 6/1979 Fujita D14/225
D352,946 S * 11/1994 Nensel D14/225
D418,512 S * 1/2000 Lin D14/227

The broken lines shown in the figures depict portions of the microphone stand that form no part of the claimed design.

1 Claim, 5 Drawing Sheets



(56)

References Cited

U.S. PATENT DOCUMENTS

D725,086 S * 3/2015 Giczy D14/149
D765,061 S * 8/2016 Heil D14/229
D888,025 S * 6/2020 Kanatsu D14/227

OTHER PUBLICATIONS

Conference Microphone, first available Dec. 13, 2018 [online], [retrieved Feb. 15, 2022]. Available from the Internet, URL:<https://www.amazon.com/dp/B07LC3FT5B/ref=cm_sw_em_r_mt_dp_EE6FX8KVK9SY7QHTQ068>. (Year: 2018).*

Movo MC1000, first available Jun. 29, 2016 [online], [retrieved Feb. 15, 2022]. Available from the Internet, URL:<https://www.amazon.com/dp/B01DJTK8FU/ref=cm_sw_em_r_mt_dp_JVT3TVH3BKWN1Z3VJHKD?_encoding=UTF8&psc=1>. (Year: 2016).*

* cited by examiner

FIG. 1

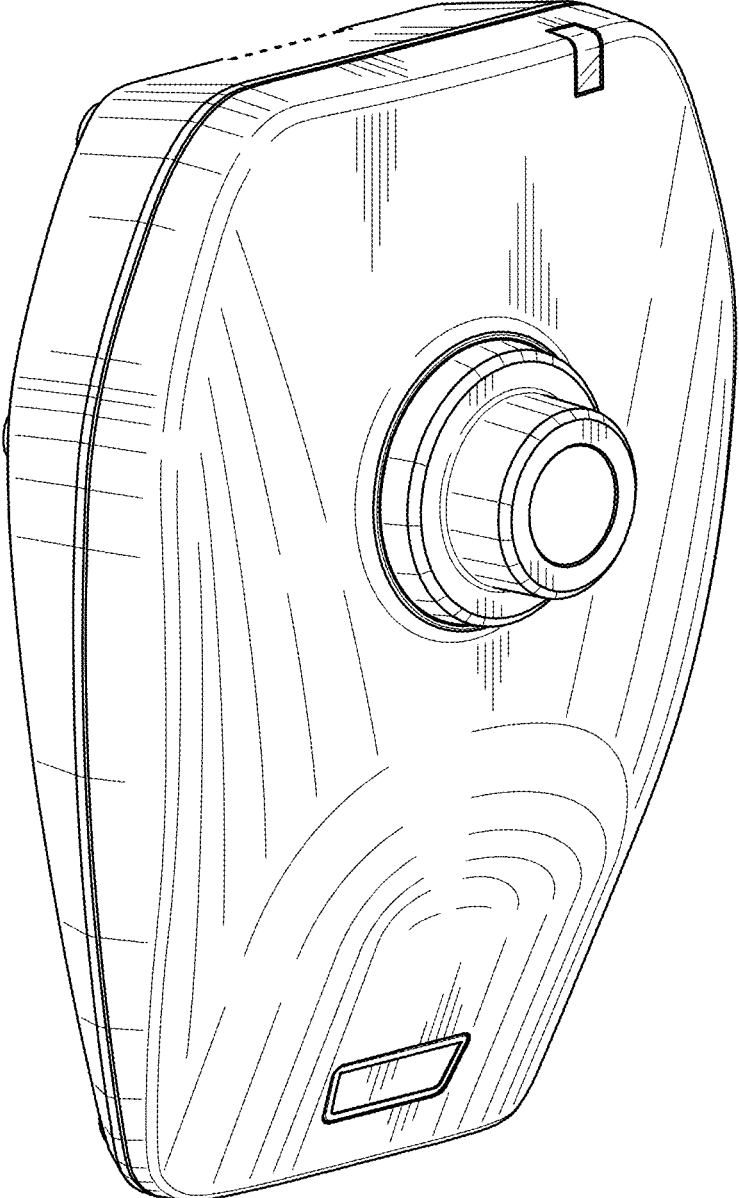


FIG. 2

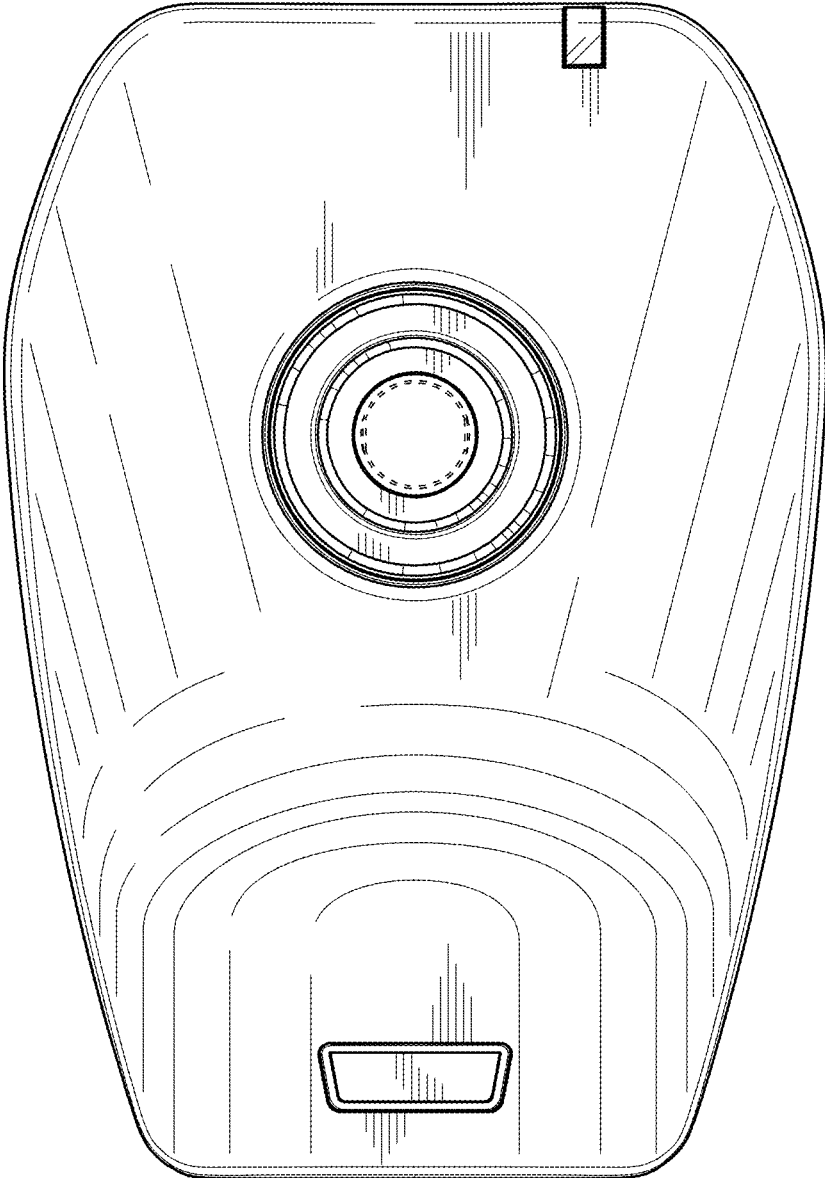


FIG. 3

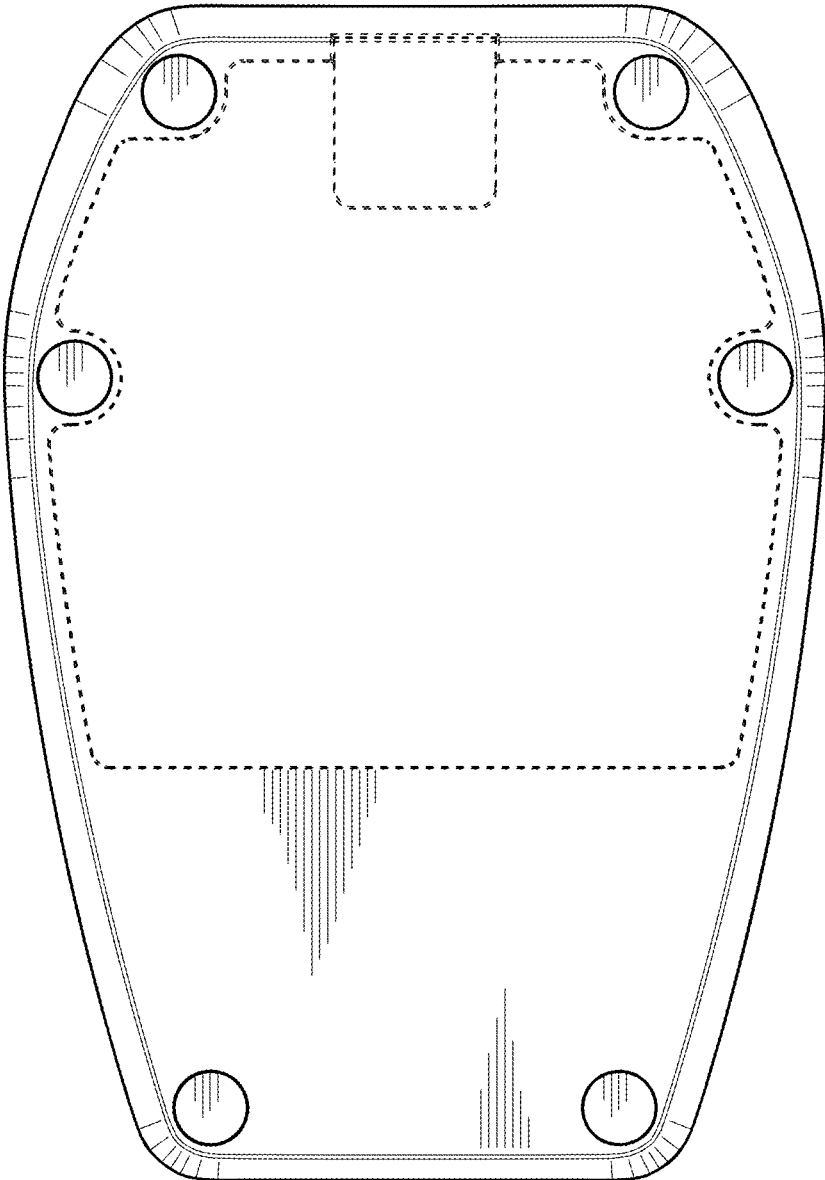


FIG. 4

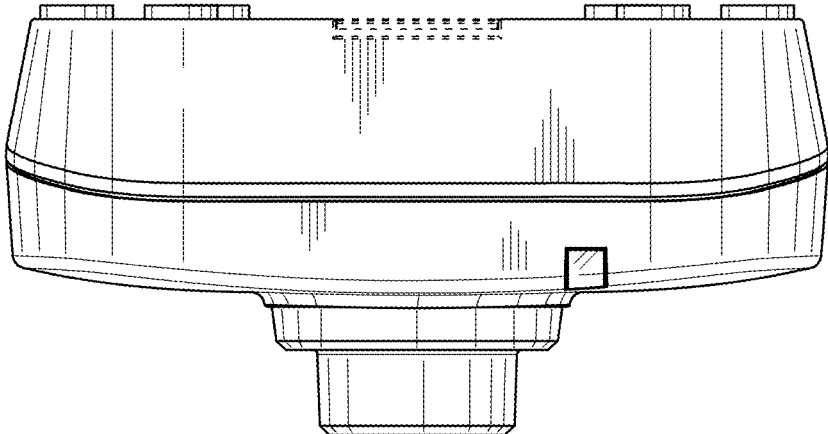


FIG. 5

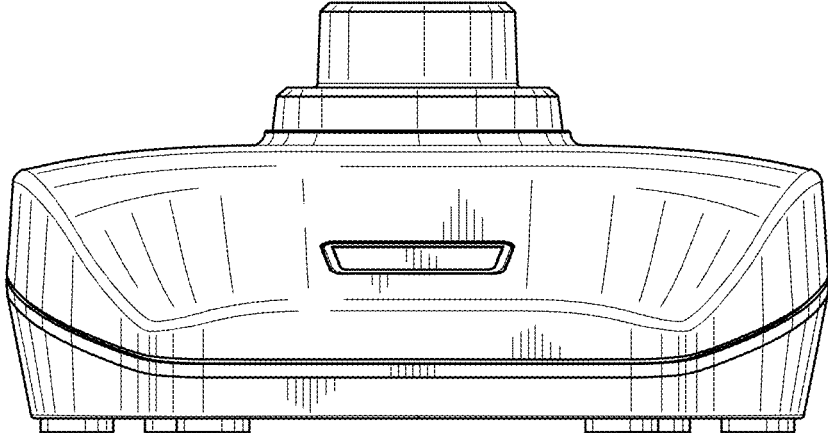


FIG. 6

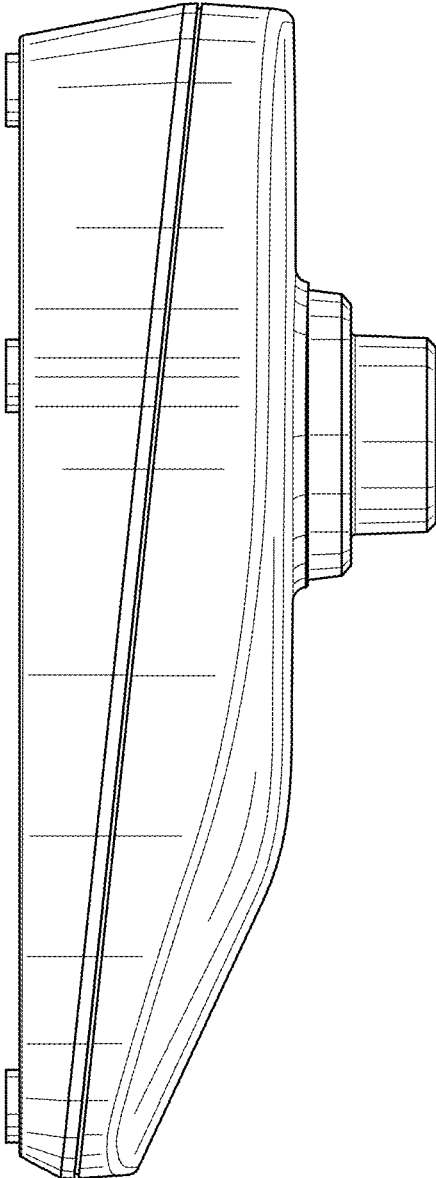


FIG. 7

