



US00D705481S

(12) **United States Design Patent**  
**Zhang et al.**

(10) **Patent No.:** **US D705,481 S**

(45) **Date of Patent:** **\*\* May 20, 2014**

- (54) **HEAT SINK FOR A LAMP**
- (71) Applicants: **Shiyong Zhang**, Boxborough, MA (US);  
**Yichong Zeng**, Chelmsford, MA (US)
- (72) Inventors: **Shiyong Zhang**, Boxborough, MA (US);  
**Yichong Zeng**, Chelmsford, MA (US)

D618,369 S *	6/2010	Lee et al. ....	D26/2
D621,970 S *	8/2010	Yamamoto et al. ....	D26/2
D623,779 S *	9/2010	Wang et al. ....	D26/2
D626,260 S *	10/2010	Wei .....	D26/2
D628,720 S *	12/2010	Wang .....	D26/2
D633,224 S	2/2011	Lee .....	
7,888,851 B2 *	2/2011	Yang et al. ....	313/46

(Continued)

- (73) Assignee: **OSRAM SYLVANIA Inc.**, Danvers, MA (US)

**FOREIGN PATENT DOCUMENTS**

- (\*\*) Term: **14 Years**

EP	2256403 A2	12/2010
WO	2011029724 A1	3/2011

- (21) Appl. No.: **29/460,965**

**OTHER PUBLICATIONS**

- (22) Filed: **Jul. 17, 2013**

Brochure showing Osram Sylvania Ultra LED Narrow Beam PAR 38 Lamp, one design created by Shiyong Zhang, Yichong Zeng and Phil Rioux, exhibited May 7, 2012 at Las Vegas Light Fair Trade Show, Nevada, USA (1 page).

**Related U.S. Application Data**

(Continued)

- (62) Division of application No. 29/429,387, filed on Aug. 10, 2012, now Pat. No. Des. 690,053.

- (51) **LOC (10) Cl.** ..... **26-99**

*Primary Examiner* — Kevin Rudzinski

- (52) **U.S. Cl.** ..... **D26/118**  
USPC .....

(74) *Attorney, Agent, or Firm* — Edward S. Podszus

- (58) **Field of Classification Search**  
USPC ..... D26/122, 118, 2, 28, 142, 123, 124, 35, D26/116, 113, 74, 75, 5, 6, 67, 68, 69, 72, D26/86, 63, 61, 39, 135, 65, 120, 121, 125, D26/126, 128, 89, 76, 132, 134, 119; 362/290, 223, 346, 240, 298, 249.02, 362/247, 347, 179, 147, 150; D10/114.4, D10/11.2, 111; 431/111, 104, 344, 109; D13/179, 180

- (57) **CLAIM**

The ornamental design for a heat sink for a lamp, as shown and described.

See application file for complete search history.

**DESCRIPTION**

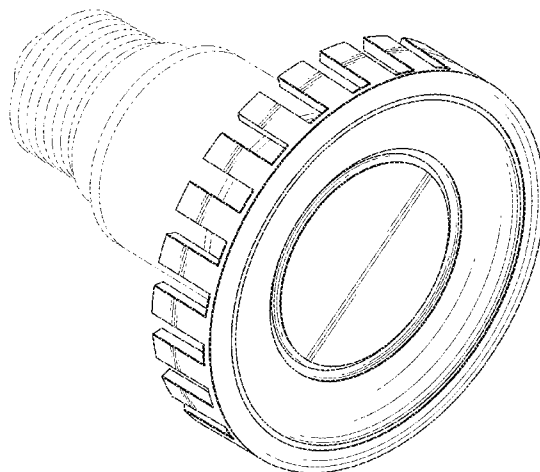
- (56) **References Cited**

FIG. 1 is a perspective view of the new design for a heat sink for a lamp as seen from the front, top; FIG. 2 is a rear perspective view as seen from the rear, side thereof; FIG. 3 is a side elevational view thereof; FIG. 4 is a top plan view thereof; and, FIG. 5 is a rear plan view thereof. The broken lines illustrate portions of the lamp other than the heat sink to show environmental features only and form no part of the claimed design.

**U.S. PATENT DOCUMENTS**

D541,957 S *	5/2007	Wang .....	D26/2
D586,497 S *	2/2009	Wu et al. ....	D26/118
D611,650 S *	3/2010	Broekhoff .....	D26/134
D612,956 S *	3/2010	Moon .....	D26/2

**1 Claim, 5 Drawing Sheets**



(56)

References Cited

U.S. PATENT DOCUMENTS

D634,870 S 3/2011 Shen et al.  
D639,488 S \* 6/2011 Yoshida et al. .... D26/89  
D644,352 S 8/2011 Layevsky et al.  
D644,355 S 8/2011 Layevsky et al.  
D646,406 S \* 10/2011 Tsai et al. .... D26/2  
D651,735 S \* 1/2012 Dai ..... D26/72  
D652,980 S \* 1/2012 Yoshida et al. .... D26/89  
D657,477 S 4/2012 Tu  
D666,750 S \* 9/2012 Maxik et al. .... D26/2  
D667,969 S 9/2012 Rioux et al.  
D668,799 S \* 10/2012 Tsai et al. .... D26/2  
D672,480 S 12/2012 Maxik et al.  
D672,494 S \* 12/2012 Kong ..... D26/113  
D674,960 S 1/2013 Chen et al.  
D676,986 S 2/2013 Maxik et al.

D681,259 S \* 4/2013 Kong ..... D26/113  
2007/0253202 A1 11/2007 Wu et al.  
2007/0297177 A1 \* 12/2007 Wang et al. .... 362/294  
2010/0133578 A1 6/2010 Pickard et al.  
2010/0259935 A1 \* 10/2010 Scordino et al. .... 362/294

OTHER PUBLICATIONS

Applicants' pending Design U.S. Appl. No. 29/395,473, filed Jan. 27, 2012 naming inventors Phil Rioux, Shiyong Zhang and Yichong Zeng.

Applicants' pending Design U.S. Appl. No. 29/395,476, filed Jan. 27, 2012 naming inventors Shiyong Zhang and Yichong Zeng.

Applicants' pending Design U.S. Appl. No. 29/427,553, filed Jul. 19, 2012 naming inventors Phil Rioux, Shiyong Zhang and Yichong Zeng.

\* cited by examiner

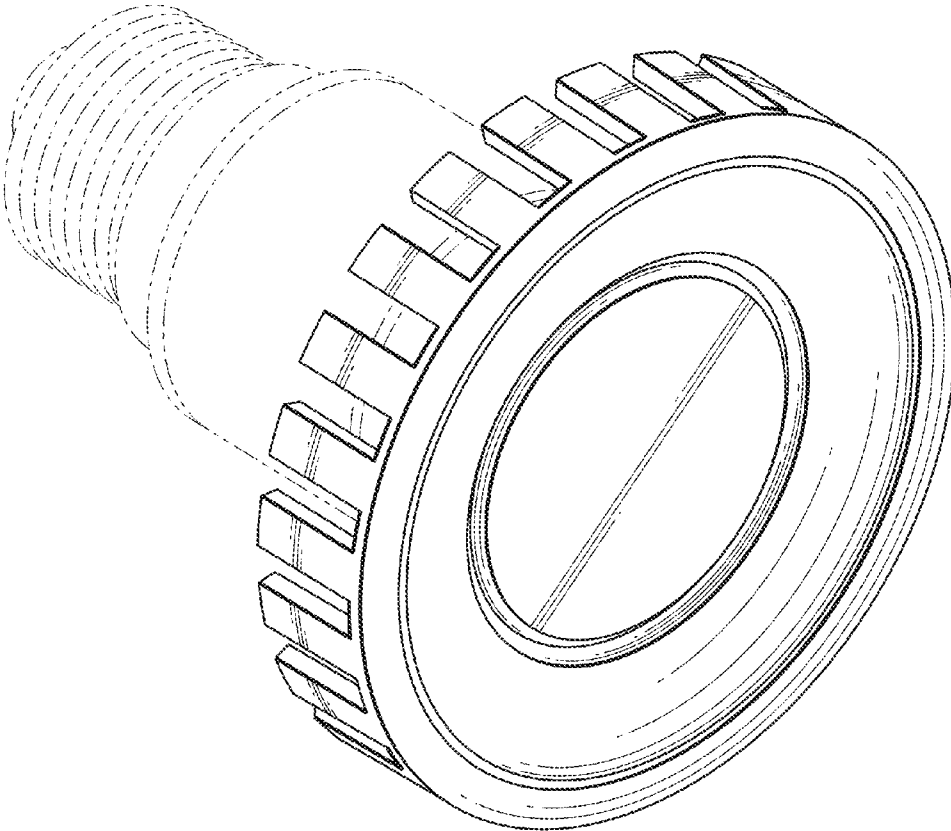


FIG. 1

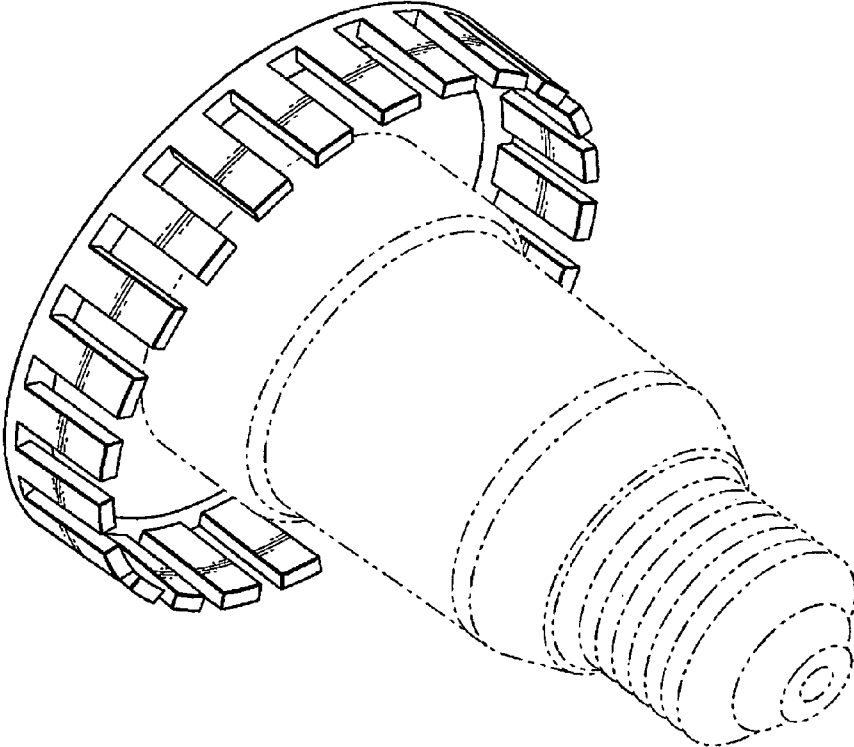


FIG. 2

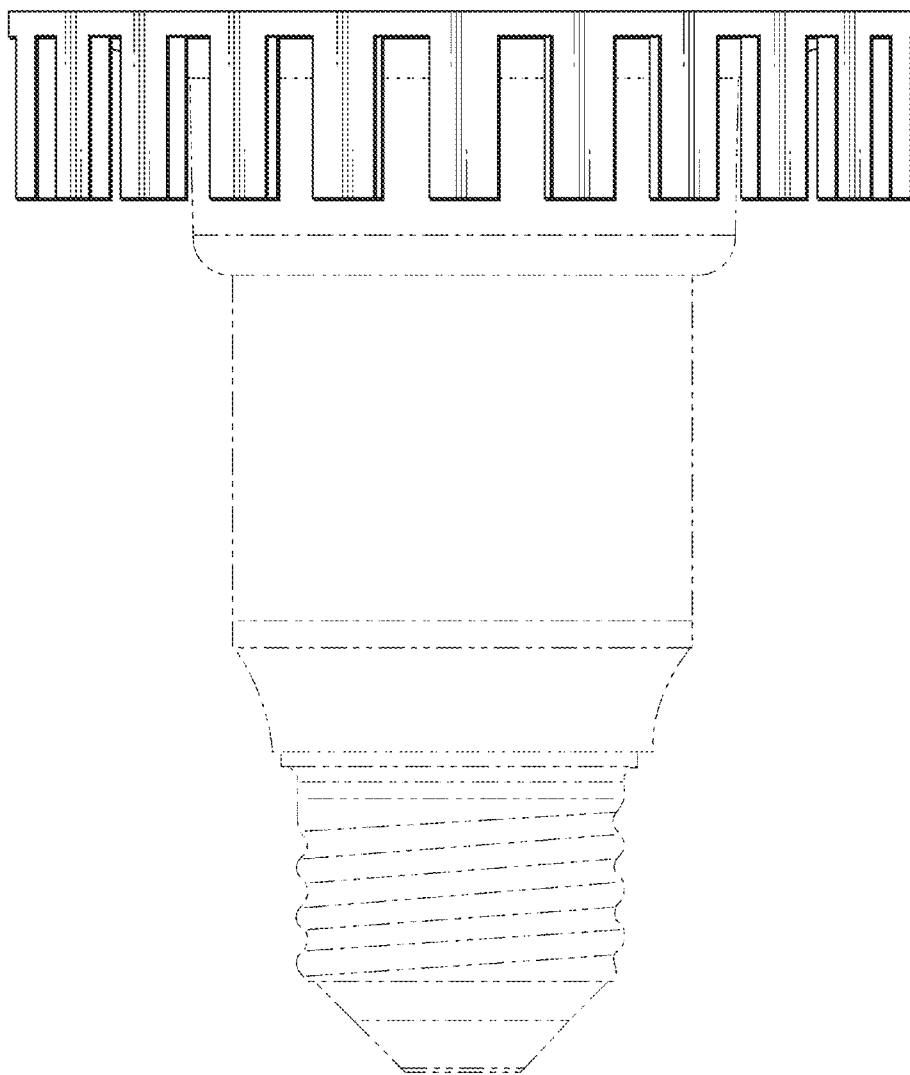


FIG. 3

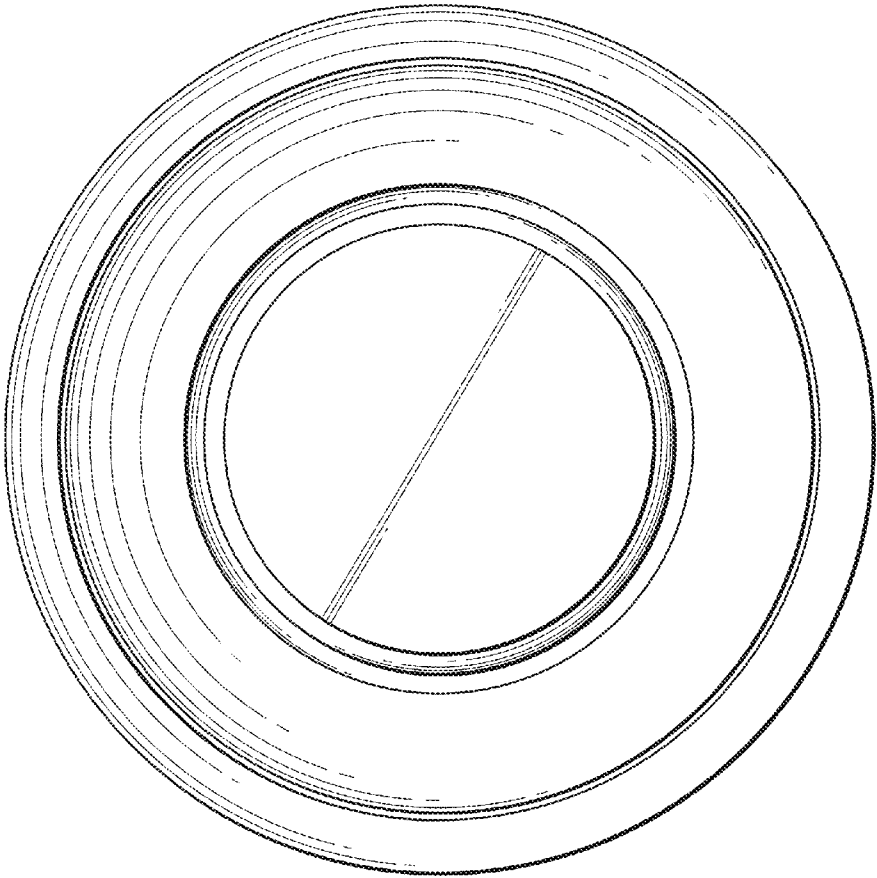


FIG. 4

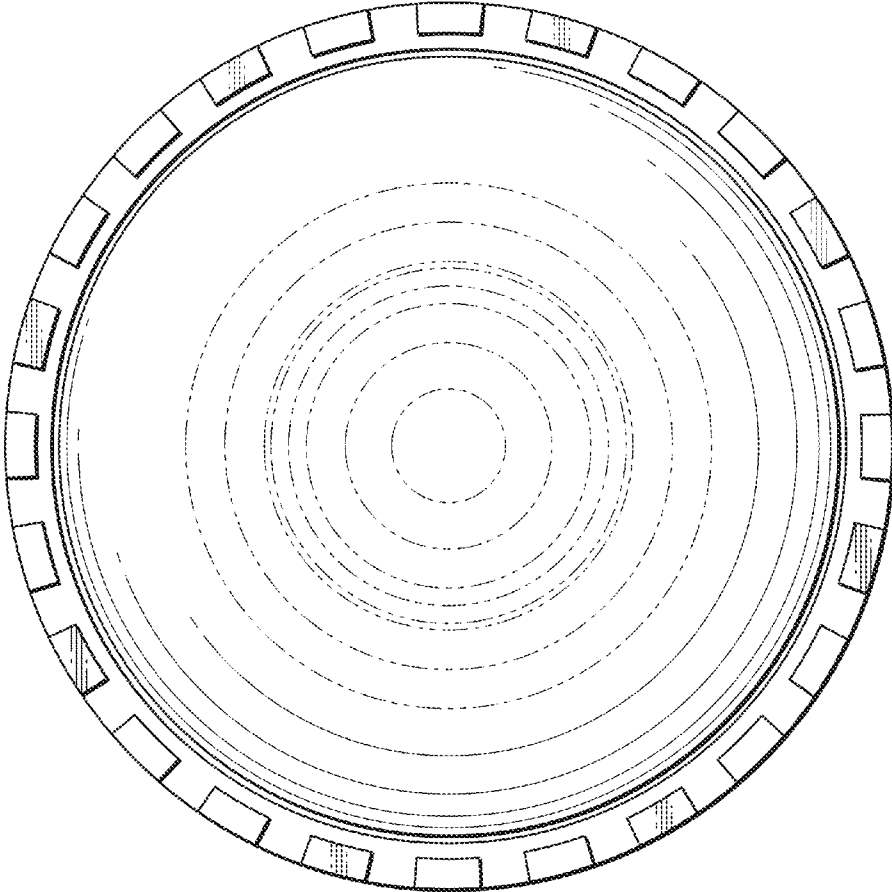


FIG. 5