



US00D737358S

(12) **United States Design Patent**
Park et al.

(10) **Patent No.:** **US D737,358 S**

(45) **Date of Patent:** **** Aug. 25, 2015**

(54) **INTERCHANGEABLE LENS FOR CAMERA
COMBINED WITH HOOD**

(71) Applicant: **Samyang Optics Co., Ltd.**, Masan,
Gyeongsangnam-do (KR)

(72) Inventors: **Jong-Young Park**, Changwon-si (KR);
Byoung-Uck Choo, Yangsan-si (KR);
Dal-Gyu Kim, Changwon-si (KR);
Han-Jea Lee, Changwon-si (KR)

(73) Assignee: **SAMYANG OPTICS CO., LTD.**,
Masan, Gyeongsangnam-do (KR)

(**) Term: **14 Years**

(21) Appl. No.: **29/476,711**

(22) Filed: **Dec. 16, 2013**

(30) **Foreign Application Priority Data**

Aug. 22, 2013 (KR) 30-2013-0043219

(51) **LOC (10) Cl.** **16-05**

(52) **U.S. Cl.**
USPC **D16/219**

(58) **Field of Classification Search**
USPC D16/134, 136, 200, 202-205, 218, 219,
D16/235, 242; 348/373-376; 359/826-828;
396/529-532, 534, 535, 539-541
CPC G03B 17/02; G03B 19/04; G03B 17/56;
G03B 17/04; G03B 15/03; G03B 17/14;
H04N 5/2251; H04N 5/2252; H04N 5/2253;
H04N 5/2254; G02B 7/02; G02B 7/04;
G02B 7/14

See application file for complete search history.

(56) **References Cited**

U.S. PATENT DOCUMENTS

D338,479	S	*	8/1993	Takahashi	D16/134
D416,926	S	*	11/1999	Watanabe	D16/134
D417,681	S	*	12/1999	Hayashi	D16/134
6,104,887	A	*	8/2000	Hamasaki et al.	396/534
D433,044	S	*	10/2000	Nagaoka et al.	D16/134
D446,232	S	*	8/2001	Watanabe	D16/134
D573,625	S	*	7/2008	Watanabe	D16/219
D583,847	S	*	12/2008	Watanabe	D16/219
8,280,241	B1	*	10/2012	Chang	396/534
D702,749	S	*	4/2014	Kim	D16/219
D702,750	S	*	4/2014	Yoon	D16/219
D702,751	S	*	4/2014	Yoon	D16/219
2013/0051784	A1	*	2/2013	Chang	396/448

* cited by examiner

Primary Examiner — Adir Aronovich
Assistant Examiner — Ramzi Almatrahi
(74) *Attorney, Agent, or Firm* — Lowe Hauptman & Ham,
LLP

CLAIM

(57) The ornamental design for an interchangeable lens for camera combined with hood, as shown and described.

DESCRIPTION

FIG. 1 is a front and right side perspective view of an interchangeable lens for camera combined with hood showing our new design; FIG. 2 is a front elevational view thereof; FIG. 3 is a rear elevational view thereof; FIG. 4 is a left side elevational view thereof; FIG. 5 is a right side elevational view thereof; FIG. 6 is a top plan view thereof; and, FIG. 7 is a bottom plan view thereof.

1 Claim, 7 Drawing Sheets

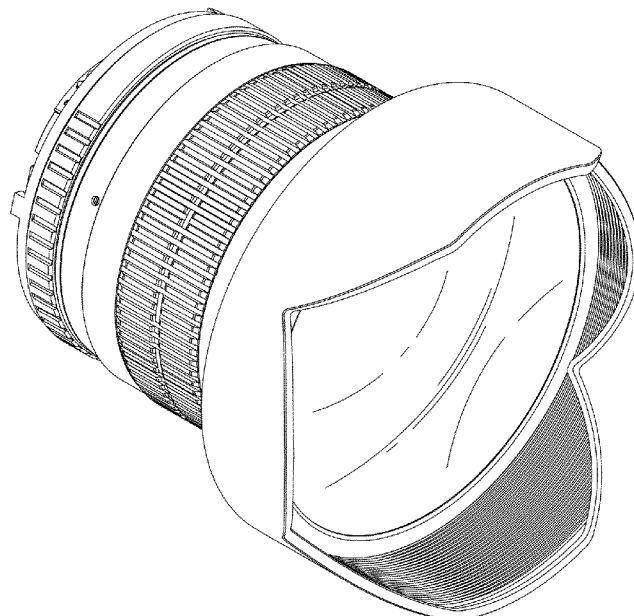


FIG. 1

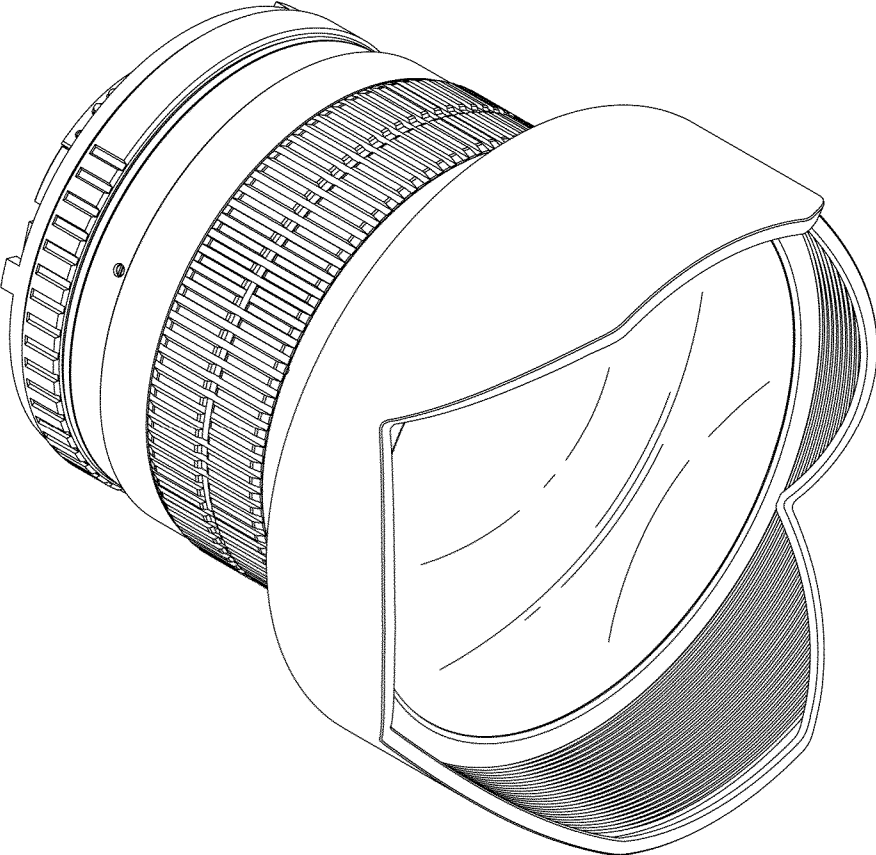


FIG. 2

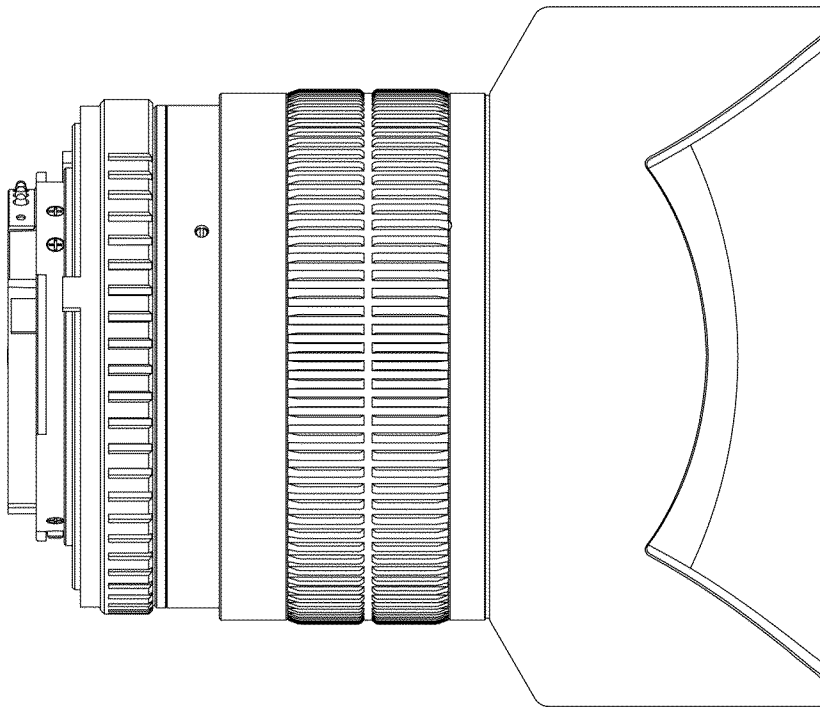


FIG. 3

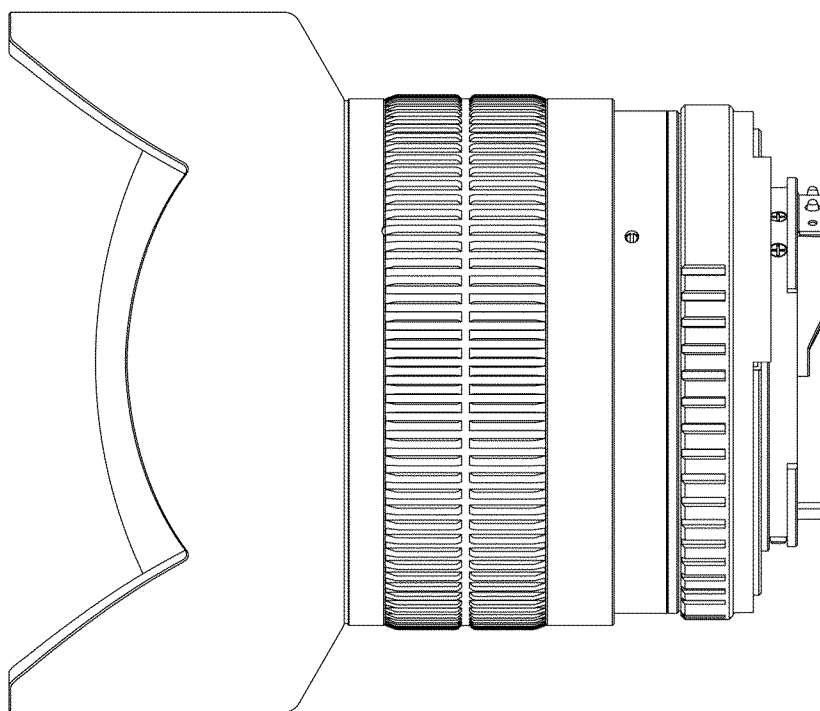


FIG. 4



FIG. 5

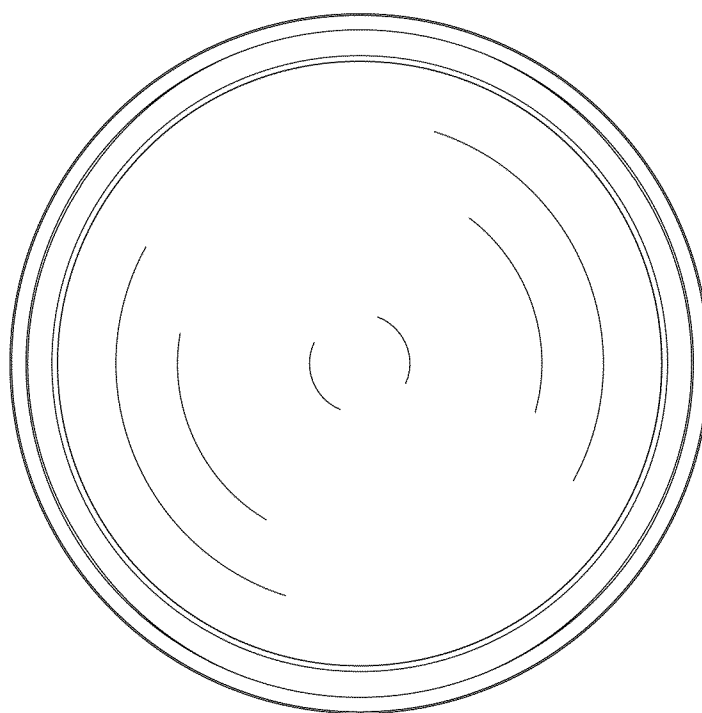


FIG. 6

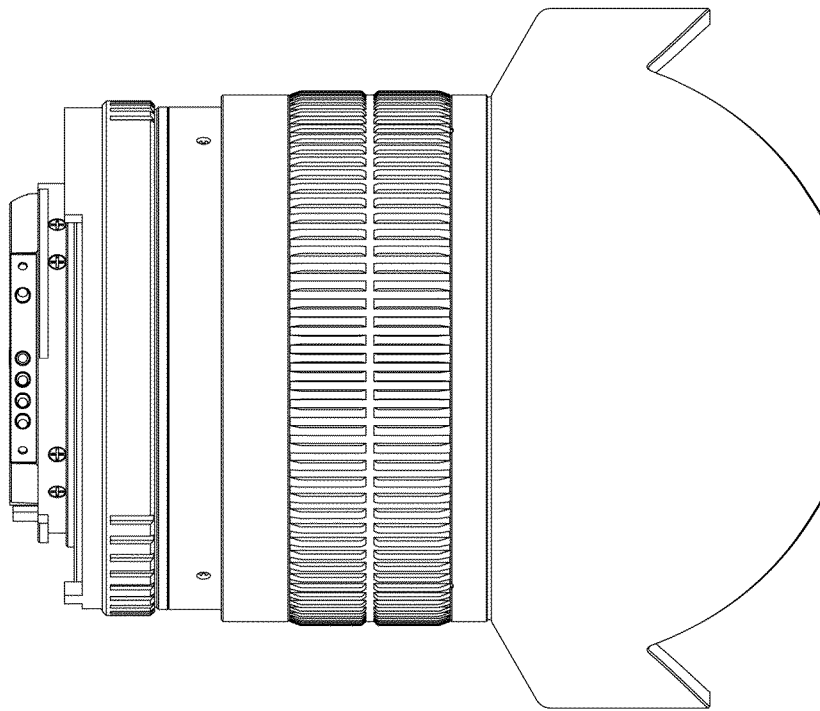


FIG. 7

