



US00D817425S

(12) **United States Design Patent**
Toulon

(10) **Patent No.:** **US D817,425 S**

(45) **Date of Patent:** **** May 8, 2018**

- (54) **PUTTER HEAD**
- (71) Applicant: **Callaway Golf Company**, Carlsbad, CA (US)
- (72) Inventor: **Sean Toulon**, Vista, CA (US)
- (73) Assignee: **Callaway Golf Company**, Carlsbad, CA (US)
- (**) Term: **15 Years**
- (21) Appl. No.: **29/600,179**
- (22) Filed: **Apr. 10, 2017**
- (51) **LOC (11) Cl.** **21-02**
- (52) **U.S. Cl.**
USPC **D21/759**
- (58) **Field of Classification Search**
USPC D21/736-746, 759
CPC A63B 53/00; A63B 53/04; A63B 53/007;
A63B 53/065; A63B 53/0487; A63B
60/00; A63B 60/46
See application file for complete search history.

D574,909 S *	8/2008	Jones	D21/743
D588,658 S *	3/2009	De La Cruz	D21/746
D599,423 S *	9/2009	Serrano	D21/736
D629,856 S *	12/2010	Parkinson	D21/743
D633,964 S *	3/2011	Teramoto	D21/743
D638,892 S *	5/2011	Hettinger	D21/743
D655,361 S *	3/2012	Ramsauer	D21/743
D688,339 S *	8/2013	Hilton	D21/736
D689,574 S *	9/2013	Rollinson	D21/743
D702,782 S *	4/2014	Wempe	D21/743
D763,373 S *	8/2016	Cardani	D21/736
2007/0135232 A1 *	6/2007	Billings	A63B 53/0487 473/340

* cited by examiner

Primary Examiner — Mitchell I. Siegel
(74) *Attorney, Agent, or Firm* — Rebecca Hanovice;
Michael Catania; Sonia Lari

(57) **CLAIM**

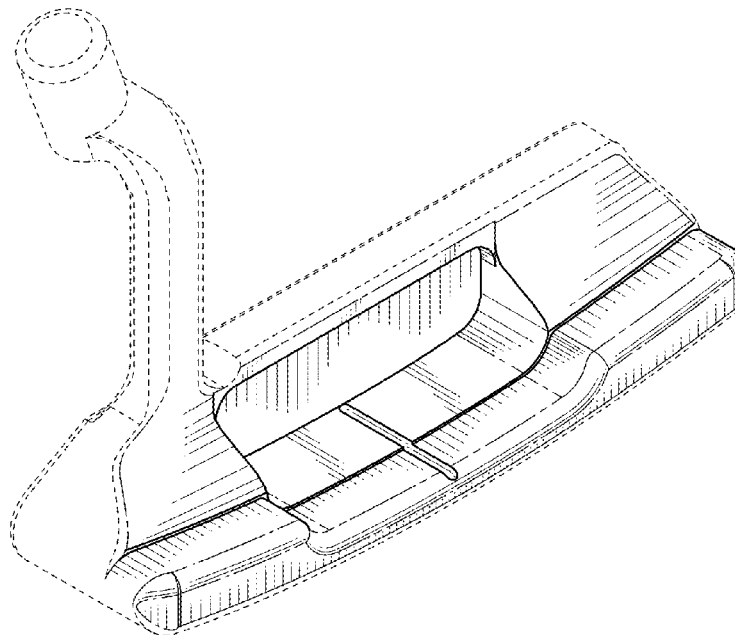
The ornamental design for a putter head, as shown and described.

DESCRIPTION

FIG. 1 is a rear perspective view of the putter head claimed herein;
FIG. 2 is a rear elevational view thereof;
FIG. 3 is a front elevational view thereof;
FIG. 4 is a left side elevational view thereof;
FIG. 5 is a right side elevational view thereof;
FIG. 6 is a top plan view thereof; and,
FIG. 7 is a bottom plan view thereof.
The broken lines are included for the purpose of illustration and form no part of the claimed design.

1 Claim, 4 Drawing Sheets

- (56) **References Cited**
U.S. PATENT DOCUMENTS
D207,227 S * 3/1967 Solheim D21/739
D239,951 S * 5/1976 Carrier D21/742
D346,002 S * 4/1994 Collins D21/744
D438,272 S * 2/2001 Moore D21/736
D443,320 S * 6/2001 Breier D21/743
D482,088 S * 11/2003 DeLaCruz D21/743
D483,823 S * 12/2003 Swist D21/736
D498,276 S * 11/2004 Schweigert D21/743
D559,930 S * 1/2008 Cameron D21/746



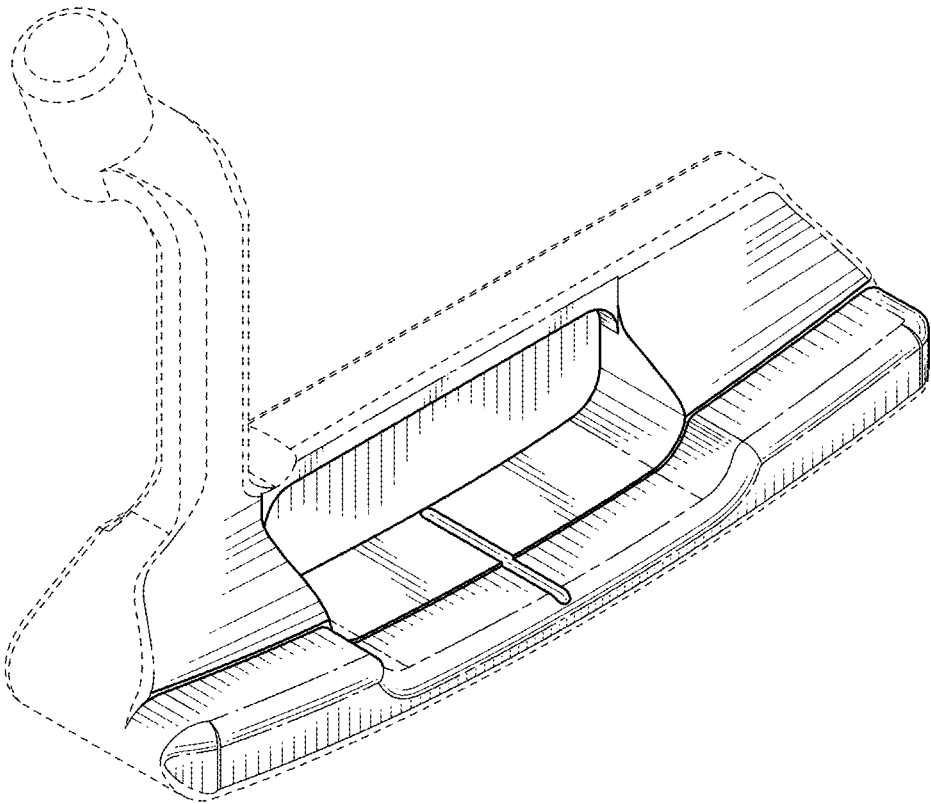


FIG. 1

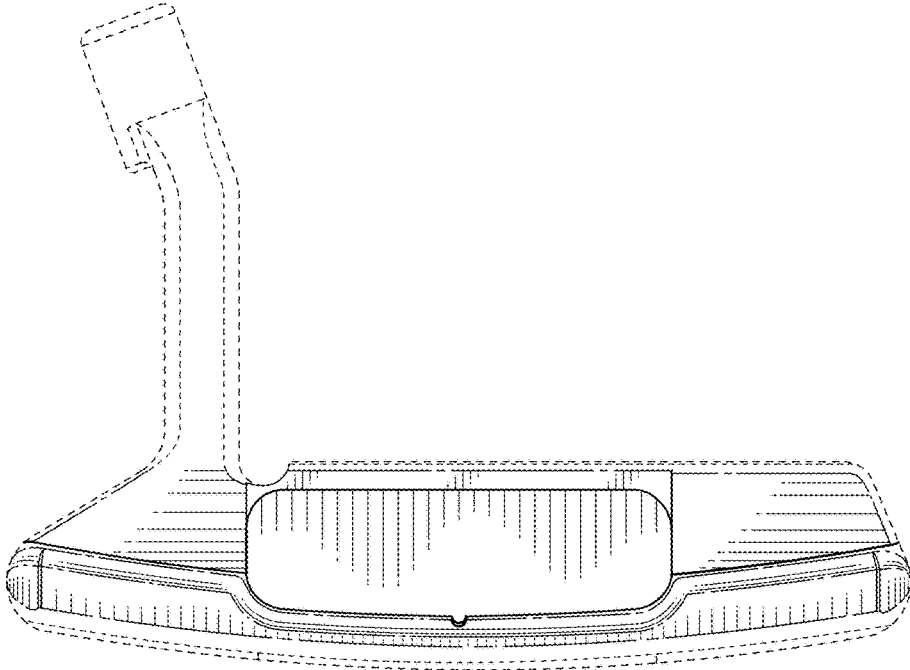


FIG. 2

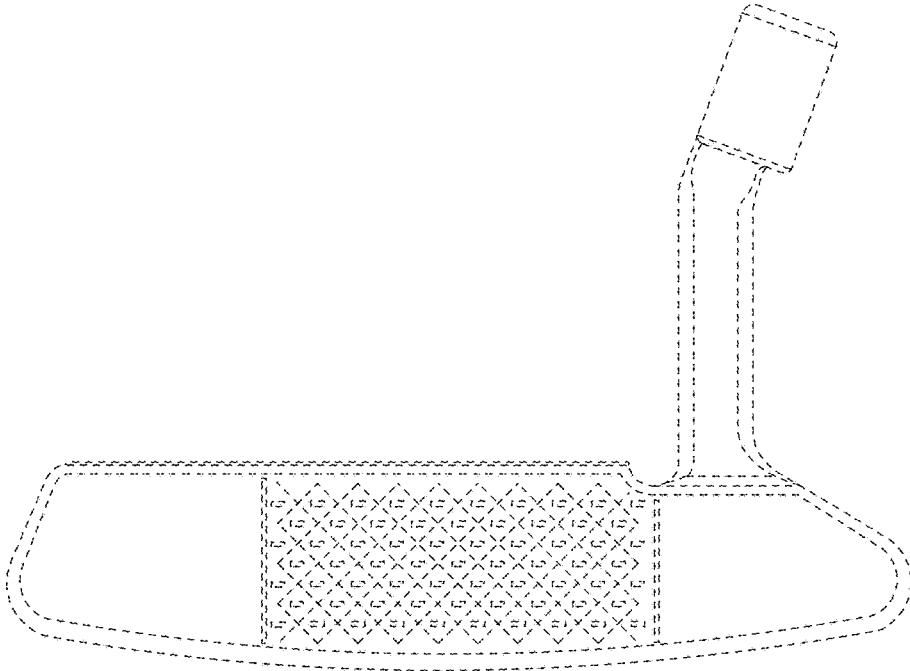


FIG. 3

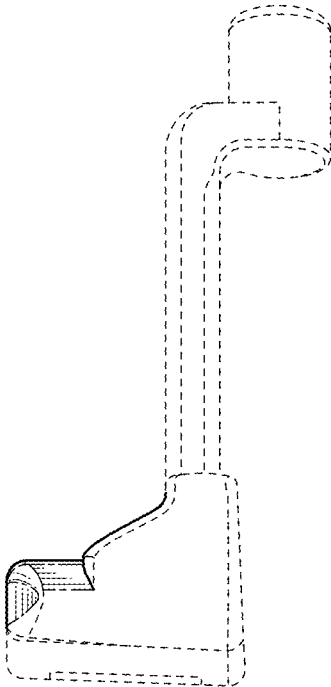


FIG. 4

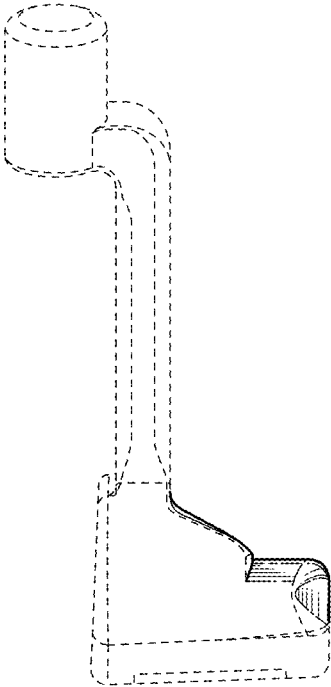


FIG. 5

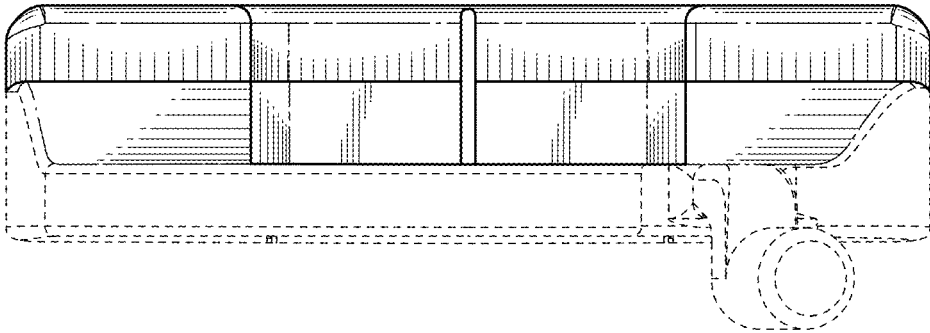


FIG. 6

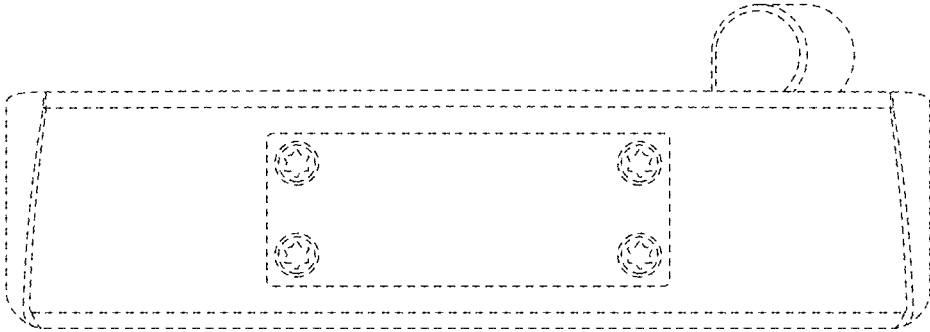


FIG. 7