



US00D868145S

(12) **United States Design Patent**
Pawlovich

(10) **Patent No.:** **US D868,145 S**

(45) **Date of Patent:** **** Nov. 26, 2019**

(54) **DRUM BODY**

5,587,544 A * 12/1996 Fujii G10D 13/02
84/411 R

(71) Applicant: **Daniel Pawlovich**, Costa Mesa, CA
(US)

6,380,468 B1 4/2002 Shigenaga et al.

6,462,262 B2 10/2002 Hagiwara

6,515,208 B2 2/2003 Cleland

7,361,823 B2 4/2008 Rush

7,692,082 B2 4/2010 Abe

7,812,236 B1 10/2010 Good

D649,080 S * 11/2011 Neary D11/1

8,399,754 B2 3/2013 Koks

8,629,340 B1 1/2014 Martin et al.

(72) Inventor: **Daniel Pawlovich**, Costa Mesa, CA
(US)

(**) Term: **15 Years**

(Continued)

(21) Appl. No.: **29/626,558**

(22) Filed: **Nov. 17, 2017**

OTHER PUBLICATIONS

(51) **LOC (12) Cl.** **17-04**

SJC, Product Guide, Summer 2017 catalogue, [online], [visited Mar. 13, 2019]. Internet, <URL: https://cdn.shopify.com/s/files/1/0863/6884/files/SJC_Product_Guide_-_Summer_2017.pdf> (Year: 2017).*

(52) **U.S. Cl.**

USPC **D17/22**

(58) **Field of Classification Search**

USPC D17/22, 23, 99; D21/405, 406; D11/1,
D11/3, 4, 26, 37, 38, 39, 11

CPC G10D 13/00; G10D 13/02; G10D 13/025;
G10D 13/06; G10D 13/08; G10D 13/02A

See application file for complete search history.

(Continued)

Primary Examiner — Sheryl Lane

Assistant Examiner — Samantha N Wood

(74) *Attorney, Agent, or Firm* — Dorsey & Whitney LLP

(56) **References Cited**

(57) **CLAIM**

U.S. PATENT DOCUMENTS

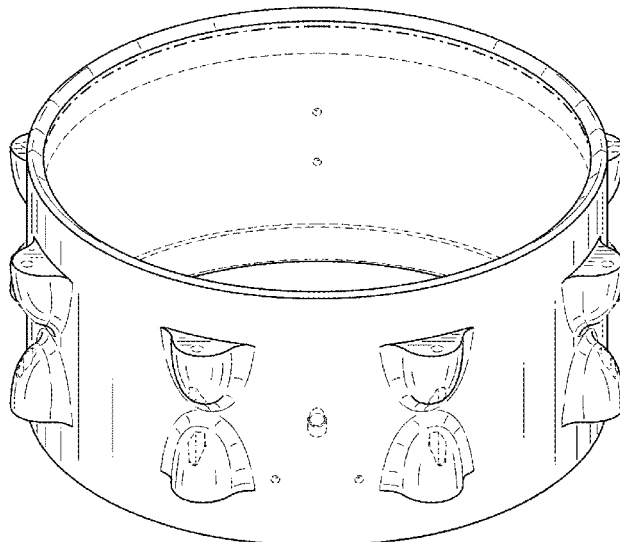
I claim the ornamental design for a drum body, as shown and described.

1,589,887 A	6/1926	Logan	
D165,622 S *	1/1952	Witmer D11/4
2,834,244 A *	5/1958	Willits G10D 13/04 84/411 R
3,139,783 A *	7/1964	Grant G10D 13/00 84/411 R
3,674,911 A *	7/1972	Phillips G10D 13/02 84/411 R
4,134,324 A *	1/1979	LeMert G10D 13/021 181/191
4,254,685 A *	3/1981	Rose G10D 13/027 84/411 R
4,475,434 A	10/1984	Willis	
4,993,304 A	2/1991	Lovelet	
D316,090 S *	4/1991	Holloway D14/143
5,377,576 A	1/1995	Good et al.	
5,544,561 A	8/1996	Isomi	

DESCRIPTION

FIG. 1 is a perspective view of a drum body.
FIG. 2 is a top view of the drum body.
FIG. 3 is a bottom view of the drum body.
FIG. 4 is a front view of the drum body.
FIG. 5 is a back view of the drum body.
FIG. 6 is a left side view of the drum body; and,
FIG. 7 is a right side view of the drum body.
The broken lines in FIGS. 1-7 and the unevenly-spaced broken line in FIG. 1 illustrate environment of the drum body and form no part of the claimed design.

1 Claim, 5 Drawing Sheets



(56)

References Cited

U.S. PATENT DOCUMENTS

9,076,414	B1	7/2015	Dunnett	
9,214,142	B2	12/2015	May	
D747,659	S *	1/2016	Coin	D11/3
9,286,866	B2	3/2016	Fugate et al.	
9,293,122	B1	3/2016	Martin et al.	
9,373,310	B2	6/2016	Martin et al.	
9,583,082	B1	2/2017	Martin et al.	
9,666,172	B1	5/2017	Voelker	
10,199,019	B2	2/2019	Voelker	
2002/0029680	A1	3/2002	Cleland	
2005/0188816	A1	9/2005	May	
2008/0127804	A1	6/2008	Lashbrook et al.	
2008/0173158	A1	7/2008	Lee	
2011/0030531	A1	2/2011	Nakata et al.	
2011/0308375	A1	12/2011	Fabas et al.	
2014/0123831	A1*	5/2014	Dunnett	G10D 13/00 84/411 R
2015/0059553	A1	3/2015	Martin	
2015/0107440	A1	4/2015	Bedson	
2017/0040005	A1	2/2017	Welch	
2019/0156797	A1	5/2019	Pawlovich	

OTHER PUBLICATIONS

PCT, "International Search Report and Written Opinion", Application No. PCT/US2018/061606, dated May 6, 2019, 12 pages.

* cited by examiner

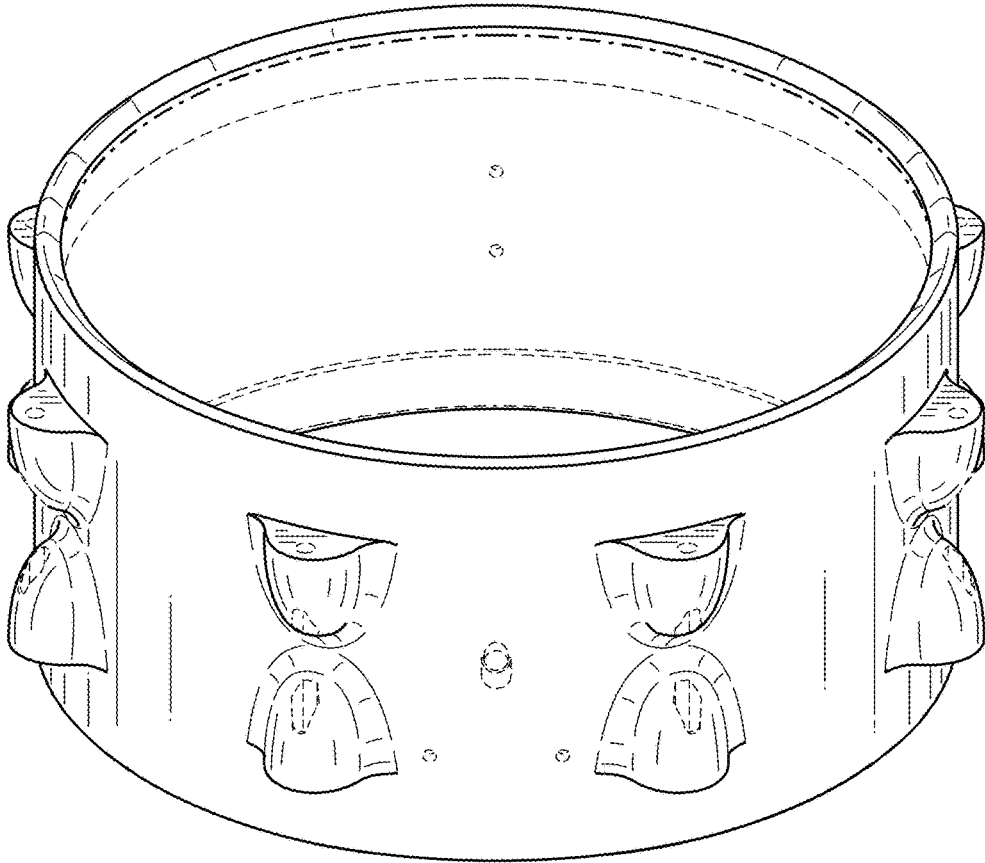


FIG. 1

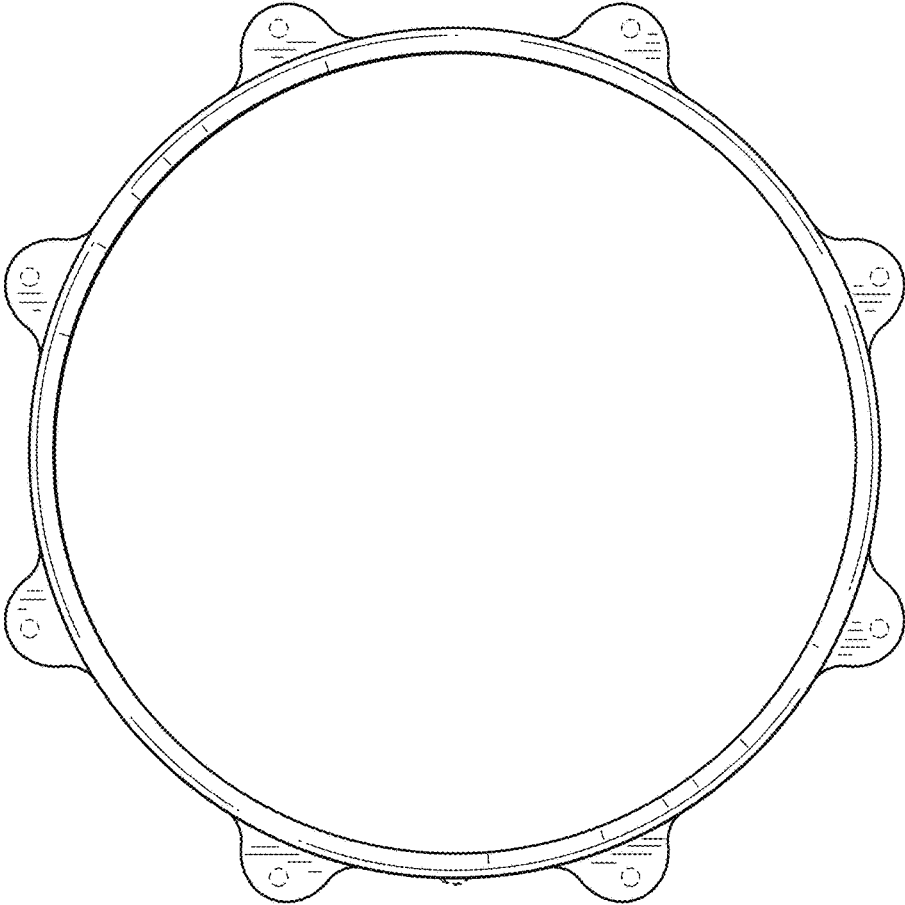


FIG. 2

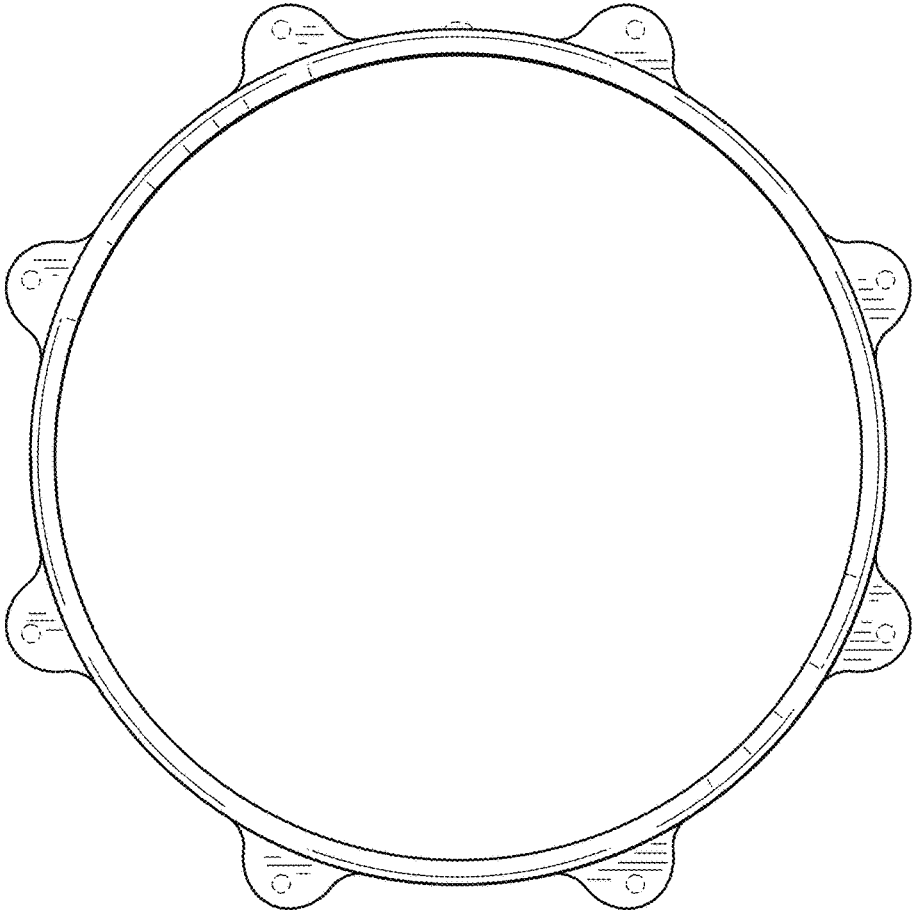


FIG. 3

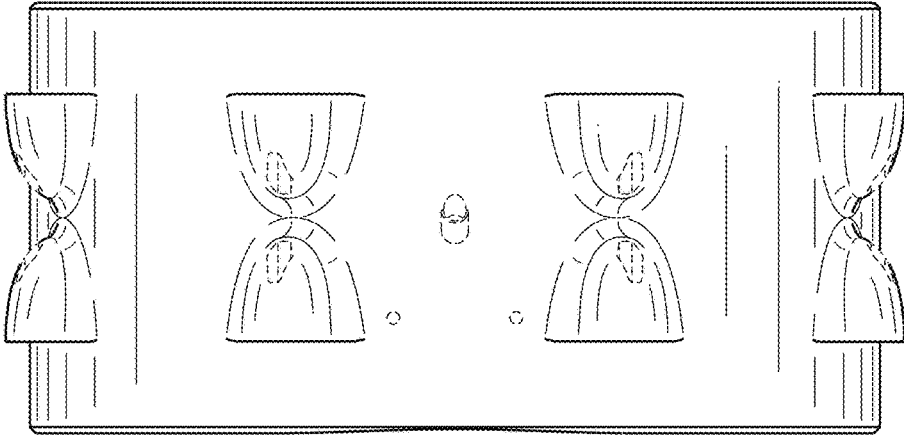


FIG. 4

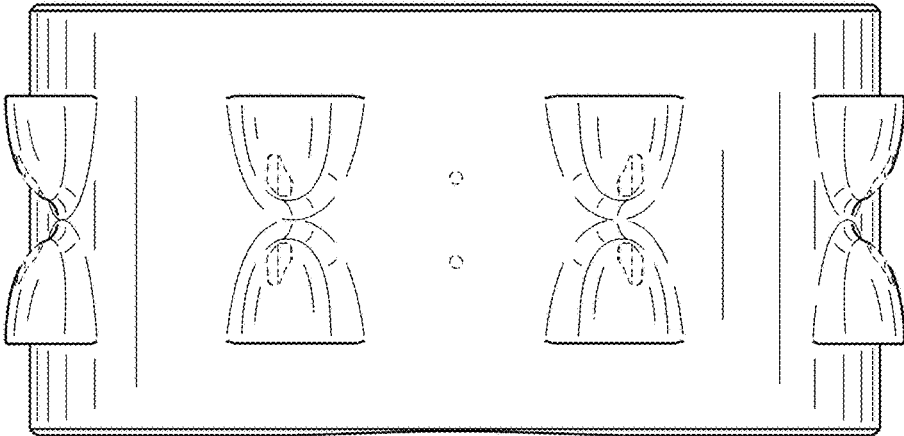


FIG. 5

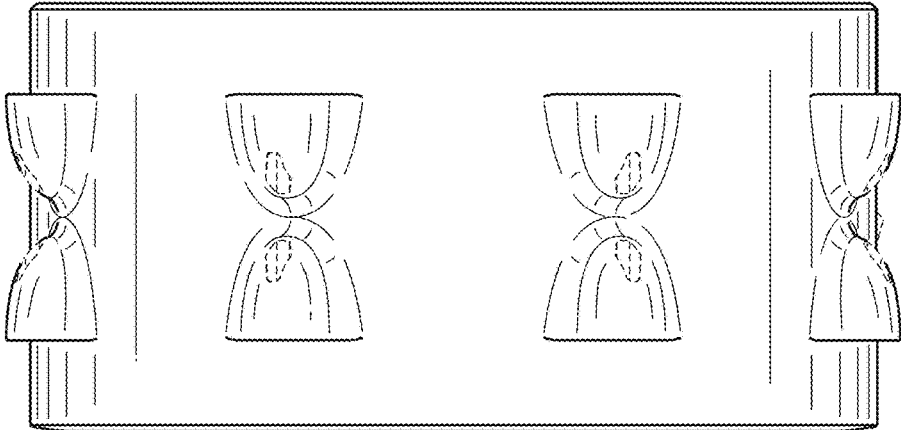


FIG. 6

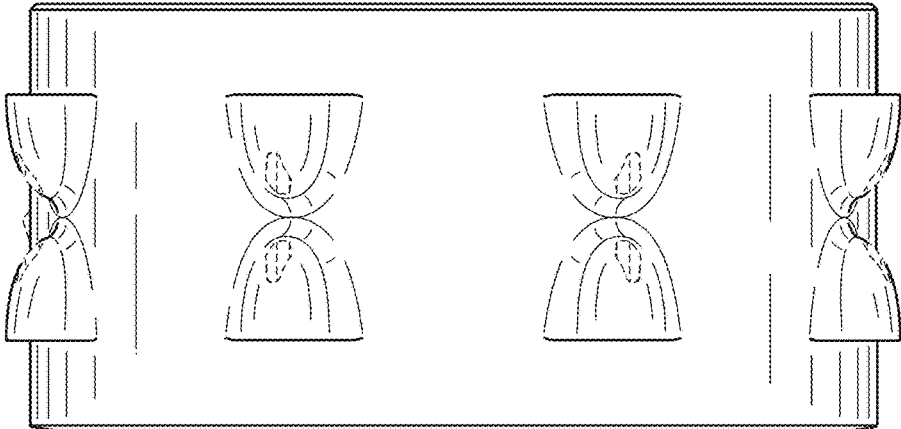


FIG. 7