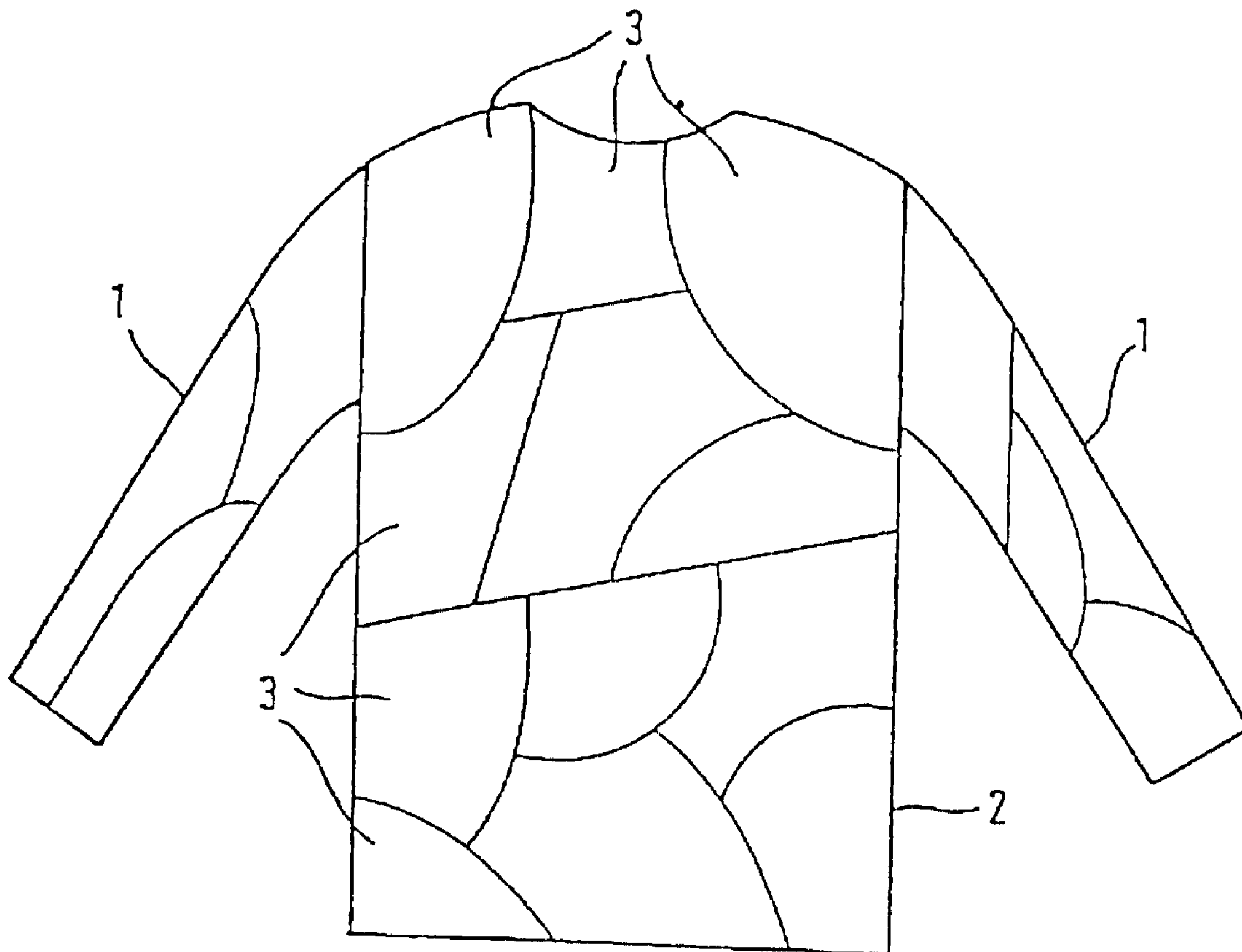




(86) Date de dépôt PCT/PCT Filing Date: 2000/02/05
 (87) Date publication PCT/PCT Publication Date: 2000/08/17
 (45) Date de délivrance/Issue Date: 2009/01/13
 (85) Entrée phase nationale/National Entry: 2001/08/08
 (86) N° demande PCT/PCT Application No.: DE 2000/000399
 (87) N° publication PCT/PCT Publication No.: 2000/047069
 (30) Priorités/Priorities: 1999/02/10 (DE199 05 369.3);
 1999/07/19 (DE199 33 072.7)

(51) Cl.Int./Int.Cl. *A41D 15/00* (2006.01),
A41D 27/02 (2006.01), *A41D 27/08* (2006.01)
 (72) Inventeur/Inventor:
 SCHUSSLER, LEANDER, DE
 (73) Propriétaire/Owner:
 SCHUSSLER, LEANDER, DE
 (74) Agent: MCFADDEN, FINCHAM

(54) Titre : MATIERE TEXTILE
 (54) Title: TEXTILE



(57) **Abrégé/Abstract:**

The invention relates to a textile comprised of one or more elements, wherein individual elements consist of materials and/or tissues having a given cut and the adjacent elements are connected to each other by their edges, wherein the individual elements (1, 2) are segmented or segments (3) are placed at least by sections on a single piece element (1), the adjacent segments (3) being detachably or non-detachably connected to each other by their edges or to the element (1).



PCT
WELTORGANISATION FÜR GEISTIGES EIGENTUM
Internationales Büro
INTERNATIONALE ANMELDUNG VERÖFFENTLICHT NACH DEM VERTRAG ÜBER DIE
INTERNATIONALE ZUSAMMENARBEIT AUF DEM GEBIET DES PATENTWESENS (PCT)

<p>(51) Internationale Patentklassifikation ⁷ : A41D 15/00, 27/08</p>	<p>A1</p>	<p>(11) Internationale Veröffentlichungsnummer: WO 00/47069 (43) Internationales Veröffentlichungsdatum: 17. August 2000 (17.08.00)</p>
<p>(21) Internationales Aktenzeichen: PCT/DE00/00399 (22) Internationales Anmeldedatum: 5. Februar 2000 (05.02.00) (30) Prioritätsdaten: 199 05 369.3 10. Februar 1999 (10.02.99) DE 199 33 072.7 19. Juli 1999 (19.07.99) DE (71)(72) Anmelder und Erfinder: SCHÜSSLER, Leander [DE/DE]; Stettiner Strasse 4, D-63843 Niedernberg (DE). (74) Anwalt: PÖHNER, Wilfried; Kaiserstrasse 27, Postfach 63 23, D-97013 Würzburg (DE).</p>	<p>(81) Bestimmungsstaaten: AU, BR, CA, JP, KR, US, europäisches Patent (AT, BE, CH, CY, DE, DK, ES, FI, FR, GB, GR, IE, IT, LU, MC, NL, PT, SE). Veröffentlicht <i>Mit internationalem Recherchenbericht. Vor Ablauf der für Änderungen der Ansprüche zugelassenen Frist; Veröffentlichung wird wiederholt falls Änderungen eintreffen.</i></p>	

(54) Title: TEXTILE

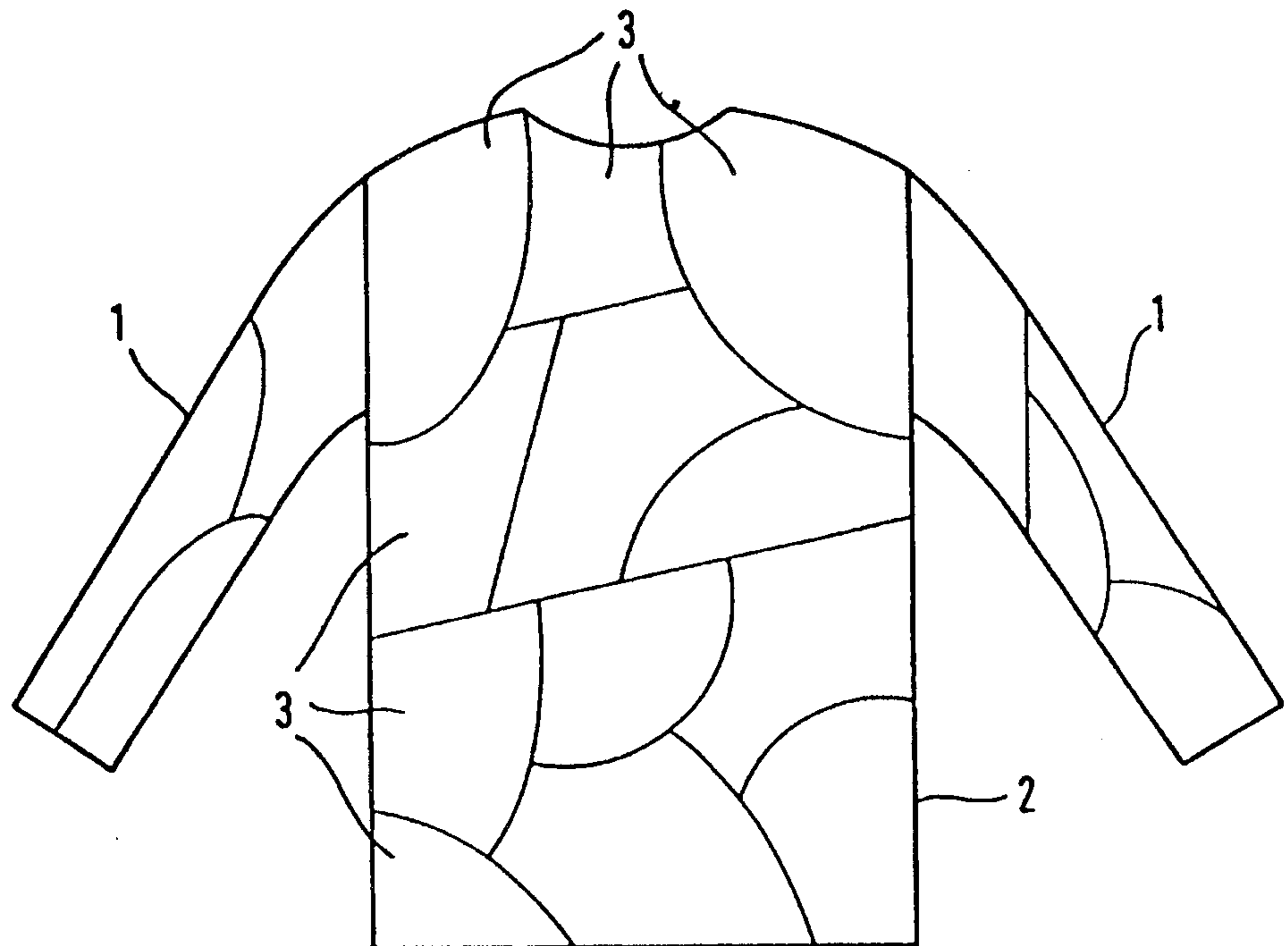
(54) Bezeichnung: TEXTILIE

(57) Abstract

The invention relates to a textile comprised of one or more elements, wherein individual elements consist of materials and/or tissues having a given cut and the adjacent elements are connected to each other by their edges, wherein the individual elements (1, 2) are segmented or segments (3) are placed at least by sections on a single piece element (1), the adjacent segments (3) being detachably or non-detachably connected to each other by their edges or to the element (1).

(57) Zusammenfassung

Die Erfindung betrifft eine Textilie, bestehend aus einem oder mehreren Elementen, wobei einzelne der Elemente aus Stoffen und/oder Geweben bestehen, jeweils einen bestimmten Zuschnitt haben und die benachbarten Elemente randseitig miteinander verbunden sind, wobei die einzelnen der Elemente (1, 2) segmentiert sind oder auf ein einstückiges Element (1) zumindest abschnittsweise Segmente (3) aufgesetzt sind, die benachbarten Segmente (3) randseitig entweder lösbar oder nicht lösbar miteinander oder mit dem Element (1) verbunden sind.



Textile

=====

- 5 The invention relates to a textile comprised of one or more elements, wherein individual elements consist of materials and/or tissues having a given cut and the adjacent elements are connected to each other by their edges, a segment is placed at least by sections on a single-piece element.
- 10 By the term textiles is meant all woven, machine or hand knitted goods or products produced from fibre materials, in which the fibres may be natural and/or synthetic. This term includes, inter alia, clothing articles, blankets, carpets and tapestries. Textiles
- 15 may consist of a multiplicity of elements, in particular clothing articles from the field of outer clothing, in particular jackets, coats, shirts, blouses or pullovers are to be mentioned, which may consist of, for example, sleeves, collars, cuffs,
- 20 clothing fronts and backs, and the like, it being in principle conceivable for individual elements not to consist of textile material, but of leather and the like. By the connection of a plurality of material or tissue cuts or elements by their edges, the textiles
- 25 can be provided with the three-dimensional shape of a clothing article. Such clothing articles can furthermore be additionally provided with buttons, zip fasteners or the like. A further embodiment of the textiles consists in the material and/or tissue
- 30 cuts being made up into blankets, tapestries or carpets. The design of textiles, as regards the shape, colour patterning or cut pattern, is almost entirely freely variable.
- 35 Clothing articles are known in which, for example, the sleeves or the hoods are fastened by means of zip

fasteners or press studs to the rest of the clothing article. By virtue of the removability of individual elements of a clothing article, the functionality is increased, since it can be adapted to various needs.

5

Patent US-A-4249268 describes a clothing article consisting of a plurality of elements. On individual elements is disclosed the planar arrangement of an ornament.

10 A disadvantage of textiles of the prior art consists in the fact that when one element of the textile is damaged, e.g. by tearing of the fabric on a sharp object, the utility value of the textile is greatly reduced. Although the damaged article can be repaired again, usually by sewing, darning or the like,
15 the aesthetic exterior of the textile is often considerably depreciated. In addition, for example, clothing articles are offered for sale only in the final state, and the purchaser or user has hardly any opportunity to vary the form or appearance of the clothing article. Furthermore, a conventional textile
20 can be virtually no longer altered in its external appearance and, particularly in the case of clothing articles, the application of a decoration is only possible by sewing or ironing on.

25 A feature of one embodiment of the invention is the provision of a textile with which, after damage of an element, a repair is possible, and whose exterior can be changed in colour or material at least by sections, without impairing the functionality of the textile, and a production process in
30 which the customer or user himself undertakes the composition of the textile, and can thus exert influence on the shape of the textile.

In accordance with an embodiment of the present invention, there is provided a textile comprising at least one individual element, the at least one individual element consisting of materials having a given cut, adjacent individual elements
5 being connected to each other by their edges, a plurality of segments being placed on at least one of the at least one individual element, adjacent segments of the plurality of segments being formed complementary to each other at their edges and distanced from each other, wherein the plurality of
10 segments are detachably connected by their edges to the at least one individual element.

The gist of the invention consists in the fact that, on the single-piece elements forming the textile, individual segments
15 are placed at least by sections. The adjacent segments are for their part detachably connected by their edges to an element. The type of connection of the elements and/or segments to each other is unimportant according to the invention, but, as described below, may be carried out by sewing or by means of a
20 zip fastener connection. If an individual segment is then damaged by external effects, only this individual segment need be exchanged to restore the utility value of the textile. Or the clothing article is designed such that a portion of, for example, the front is covered with various segments, which are
25 exchangeable and thereby the appearance is variable, as described below. Furthermore, such a textile may offer considerable purchase incentive on account of its novelty, which is particularly important in view of continually changing clothing fashions.

30

For fastening the segments to a single-piece element, a detachable or non-detachable connection is possible. In particular, the use of hook-and-loop fasteners is proposed,

since this allows simple and virtually unlimited repeated detaching of the segments.

An advantageous embodiment of the textile, particularly when it is a clothing article, consists in the fact that it has a single-piece lining. In the case of clothing articles, this lining already has the subsequent form of the complete clothing article. On this lining are fastened the individual segments. Here, too, the type of fastening is unimportant according to the invention and may be detachable or non-detachable. By virtue of the connection of the segments to the lining and of adjacent segments to each other, the clothing article obtains its ultimate form. Such a lining simplifies the joining together of individual segments, since the subsequent form of the clothing article is determined by the lining.

The textile can be embodied such that the textile forms the lining of another textile. In particular, it is intended that this should be a conventional, that is to say unsegmented clothing article which is provided with a segmented lining. Here, too, the lining may be detachably or non-detachably connected to the clothing article, with any type of connection being possible. This segmented lining may be used, for example, in children's clothing, with the clothing article being provided with the lining by the children themselves. The fact that the outer form is already determined by the clothing article greatly simplifies the lining of the clothing article with the individual segments of the lining.

- 5 -

A detachable connection of the individual segments and/or elements to each other may take place in several ways. It is possible for zip fasteners to be attached to the edges of the individual segments.

5 Furthermore, hook-and-loop fasteners or press studs attached to the edges are conceivable. The advantages of a detachable connection of the individual segments to each other consists in the fact that individual segments, e.g. damaged segments can be readily

10 replaced. In addition, the clothing article which can be assembled and taken apart as often as desired, is thereby given a novel appearance, which may be of advantage for the sale of such clothing articles in the fashion industry, which is always looking out for

15 novelties.

A possible embodiment of the textile consists in the edges of the elements, at least at the seams and/or waistband and/or edges, not being segmented. This has

20 the advantage that the continuous edges of the elements, which are connected to adjacent elements, form a shape-providing skeleton or framework for the segments to be inserted. In the case of clothing articles, for example, the continuous edges, which

25 are to be connected together, of the elements already determine the subsequent form of the clothing articles.

If the textile is designed such that the individual

30 segments differ in shape, size, pattern or colour, an increase in the functionality and aesthetics of the textile can be obtained. Thus, in the case of clothing articles, for example a more resistant material can be used at particularly stressed areas,

35 for example in the elbow region in the case of

jackets, or a particularly breathable material in the armpit area. The freedom of colouring or patterning allows the textile to be given virtually any desired appearance. In particular in the case of segments
5 placed on a single-piece element, it is proposed that segments with different colouring or patterning but in each case with the same shape are exchangeable for each other, in order to represent various motifs, such as, inter alia, comic figures, logos, club
10 badges, etc., on, for example, the front or back of a clothing article by the exchange of segments.

The fastening of the segments is designed such as to determine the individual segments, in each case at
15 their edges, on the element, that is to say the hook-and-loop fasteners form a continuous network-like structure, and the segments themselves are not connected to each other. Thus segments of, e.g., different colours can be placed in order to allow
20 variation of the appearance of the textile and particularly of an article of clothing. In the case of children's clothing advantageously only one part of the front side is covered with segments in order to prevent unnoticed removal and/or theft at the
25 back.

For the shaping of the segments placed on a single-piece element, it is proposed that they are complementary to each other at their edges, i.e. can
30 be uniquely assigned to each other in the manner of a jigsaw puzzle. They can only be put together in specific way to form a generally closed area on the element. Thus a further element of diversion is provided for the use of a textile, which is
35 particularly of interest in the case of children's

clothing. It is also conceivable to cover a blanket or carpet with jigsaw-puzzle-like elements to obtain a novel toy, for example, for children.

5 The segments can be placed distanced from each other on a single-piece element. In this case, each individual segment is detachably fastened on the element, for example, by means of a hook-and-loop fasteners surrounding the edge of the segment. The
10 choice of motif for each individual segment is free and may be selected from, inter alia, various animal pictures, comic figures, brand name logos or pictures of persons. The overall appearance resembles a mosaic.

15

Further details, features and advantages of the invention can be obtained from the following descriptive part, wherein with reference to the
20 drawings and typical embodiments of the invention, Figure 1 shows a schematic view of a clothing article according to the invention, Figure 2 shows a clothing article which is partly covered with segments,
25 Figure 3 shows a clothing article that is covered with segments distanced from each other. The clothing article shown in figure 1 is a pullover with sleeves and a front portion. In the drawing, it can be recognised how each element of the pullover,
30 that is to say the sleeves (1) and the front (2), is segmented. Each individual element of the clothing article, e.g. the front portion (2) is composed of a plurality of segments (3), which in this embodiment all differ in their size and shape. The segmented
35 elements (1,2) are assembled to form the complete

clothing article. The type of connection between adjacent segments or elements is in this typical embodiment free in order to simplify the drawing, but may take place by, for example, sewing the individual
5 segments to each other at their edges.

Figure 2 shows the front portion of a clothing article, for example a jacket, wherein segments (3) are placed on an element (1) of the jacket front
10 portion on only one part of the area, e.g. the breast area. The detachable fastening may be carried out by means of hook-and-loop fasteners surrounding the edge of a segment (3). The colour and shape and the material of the individual segment (3) is unimportant
15 according to the invention. The functionality, e.g. protection against moisture, is not affected by the segments (3), they are only decorative elements. By exchange of the segments (3) for others of a different colour, various motifs can be formed on the
20 clothing article.

Figure 3 also shows the front portion of a clothing article, for example a jacket. This has segments (3) distanced from each other placed on a portion of its
25 front. The detachable fastening may take place, for example, by means of a hook-and-loop fastener surrounding the edge of the segment (3), and each segment (3) is exchangeable independently of the others. The placing of the individual segments may
30 take place such as to imitate the constellation of a football team with its trainer. The individual segments (3) are then provided with illustrations of the particular players. On the other side, the club badge can then be attached. It would also be
35 conceivable for representations of music groups or

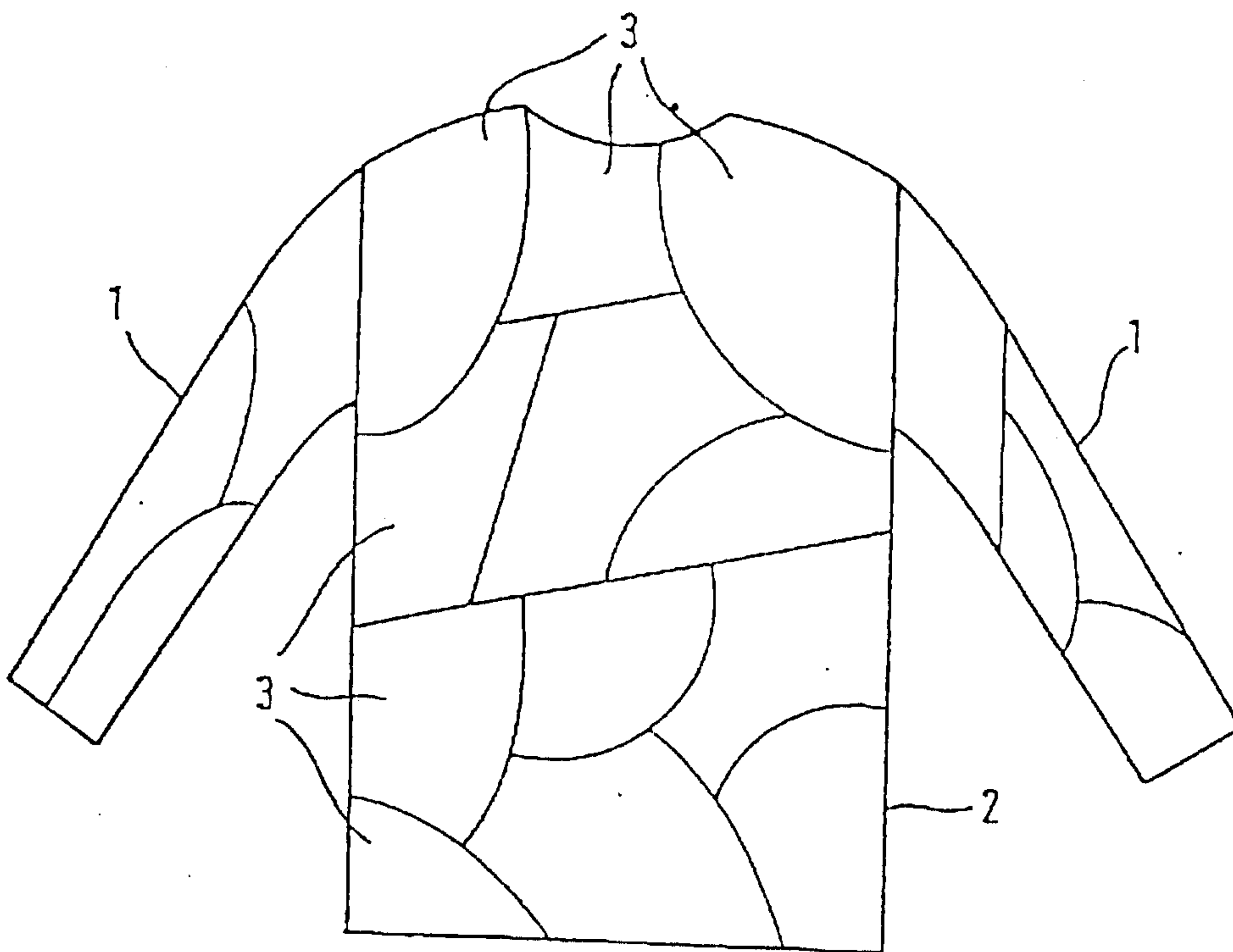
- 9 -

artists or works of art per se to be reproduced on
the segments (3).

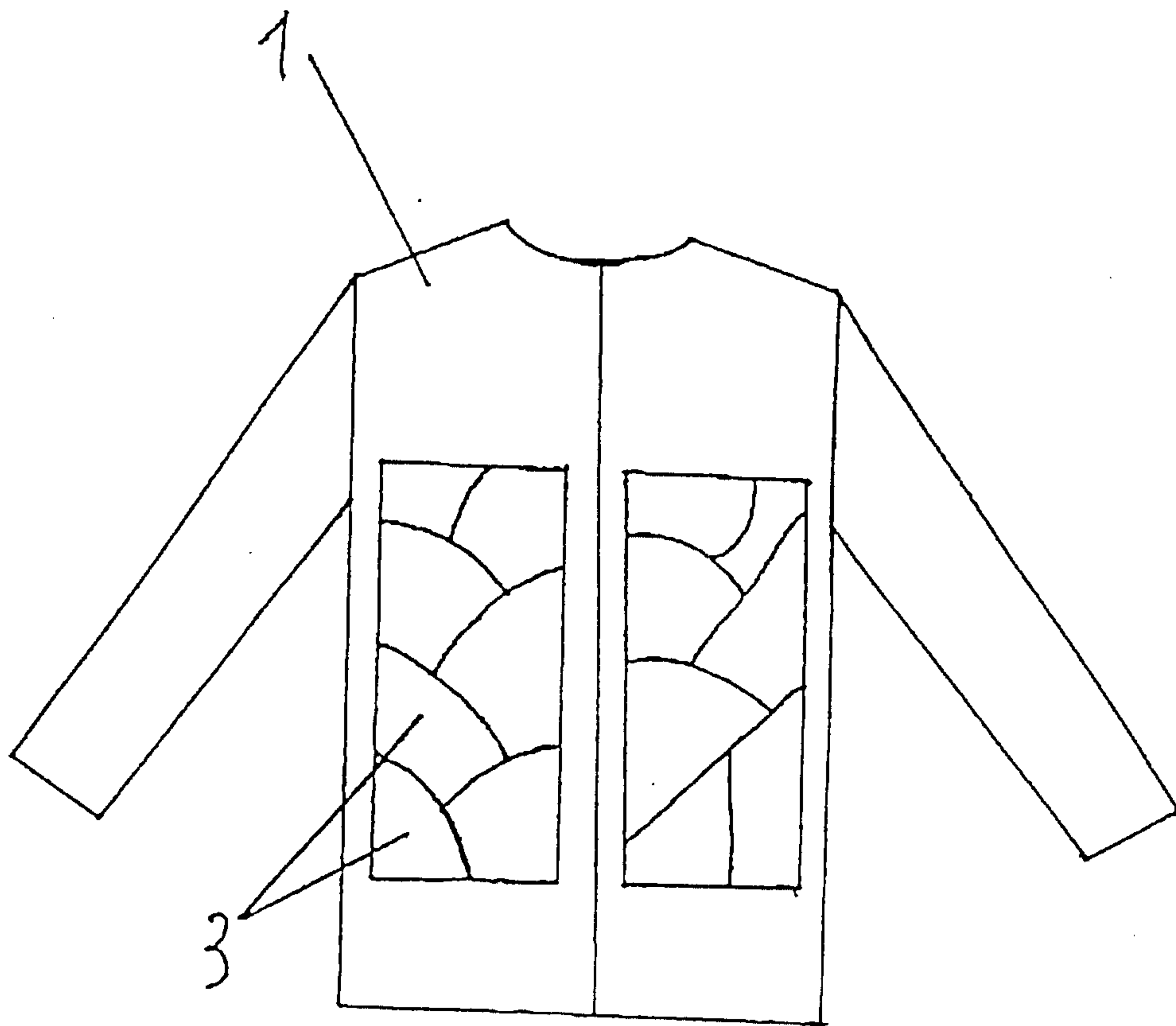
CLAIMS:

1. A textile comprising:
at least one individual element, said at least one individual element consisting of materials having a given cut, adjacent individual elements being connected to each other by their edges;
a plurality of segments being placed on at least one of said at least one individual element, adjacent segments of the plurality of segments being formed complementary to each other at their edges and distanced from each other;
wherein said plurality of segments are detachably connected by their edges to the at least one individual element.
2. The textile according to claim 1, further comprising a one-piece lining and wherein the plurality of segments are detachably or non-detachably fastened to the lining.
3. The textile according to claim 1, wherein the textile is a lining of a second textile, and the lining is detachably or non-detachably fastened to the second textile.
4. The textile according to any one of claims 1 to 3, wherein the edges of the at least one individual element are not segmented at least at seams, waistbands or edges.
5. The textile according to any one of claims 1 to 4, wherein each of the plurality of segments have different shapes, sizes, patterns or colours and consist of different materials.

Fig. 1



Figur 2



Figur 3

