



(12) **United States Design Patent** (10) **Patent No.:** **US D858,643 S**
Miller et al. (45) **Date of Patent:** **** Sep. 3, 2019**

(54) **CHIP RACK**

(56) **References Cited**

(71) Applicant: **Bally Gaming, Inc.**, Las Vegas, NV (US)

U.S. PATENT DOCUMENTS

(72) Inventors: **Arthur C. Miller**, Las Vegas, NV (US);
Dean A. Isaacs, Las Vegas, NV (US);
Russell D. Isaacs, Las Vegas, NV (US);
William Florence, Shepherdstown, WV (US)

233,829	A	11/1880	Adt	
500,955	A	7/1893	Rusk	
1,356,398	A	10/1920	Owens	
1,488,025	A	3/1924	Poynter	
1,579,276	A	4/1926	Birnberg	
1,590,463	A	6/1926	Wood	
1,919,922	A	7/1933	Baker et al.	
2,046,595	A	7/1936	Yerkes	
2,149,687	A	3/1939	Rivers	
2,620,063	A	12/1952	Stanton	
3,034,512	A	5/1962	Hunter	
3,107,467	A	10/1963	Gates	G07D 9/002 206/0.84

(73) Assignee: **Bally Gaming, Inc.**, Las Vegas, NV (US)

(**) Term: **15 Years**

3,165,319	A	1/1965	Benima	
3,222,071	A	12/1965	Lang	
3,306,462	A	2/1967	Da Cruz	
3,312,473	A	4/1967	Friedman et al.	
3,489,907	A	1/1970	Kenez	
3,529,829	A	9/1970	Seifert	
3,658,342	A	4/1972	Boren	
3,690,670	A	9/1972	Cassady et al.	
3,704,938	A	12/1972	Fanselow	
3,706,874	A	12/1972	Lockard	
3,716,238	A	2/1973	Porter	
3,731,936	A	5/1973	Copeland	
3,742,616	A	7/1973	Heller	
3,743,294	A	7/1973	Forster	
3,751,041	A	8/1973	Seifert	
3,779,554	A	12/1973	Brix	
3,814,436	A	6/1974	Boren	
3,858,797	A	1/1975	Takeuchi	
3,929,339	A	12/1975	Mattioli	
4,026,309	A	5/1977	Howard	
D248,233	S	6/1978	Dibenedetto	
4,146,229	A	3/1979	Morse	
D256,034	S	7/1980	Beaman	
4,314,700	A	2/1982	Dylag	
D274,441	S	6/1984	Stevenson	
D276,442	S	11/1984	Holland	D18/3.1
4,531,187	A	7/1985	Uhland	
4,534,562	A	8/1985	Cuff et al.	
D285,858	S	9/1986	Ooki	D99/28
D285,859	S	9/1986	Ooki	
4,667,959	A	5/1987	Pfeiffer et al.	
4,814,589	A	3/1989	Storch et al.	
4,822,050	A	4/1989	Normand et al.	
D303,863	S	10/1989	Purifoy	D99/34
D305,882	S	2/1990	Kato et al.	
D312,247	S	11/1990	Simoneaux et al.	

(21) Appl. No.: **29/675,668**

(22) Filed: **Jan. 4, 2019**

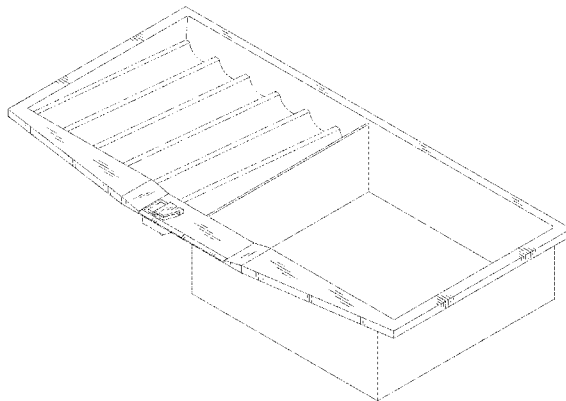
Related U.S. Application Data

(60) Division of application No. 29/569,103, filed on Jun. 23, 2016, now Pat. No. Des. 839,965, which is a continuation-in-part of application No. 14/047,841, filed on Oct. 7, 2013, now Pat. No. 9,839,837, which is a continuation of application No. 13/452,255, filed on Apr. 20, 2012, now Pat. No. 8,567,784, which is a continuation-in-part of application No. 29/399,334, filed on Aug. 12, 2011, now Pat. No. Des. 692,068, and a continuation-in-part of application No. 29/399,004, filed on Aug. 8, 2011, now Pat. No. Des. 692,067, and a continuation-in-part of application No. 29/399,000, filed on Aug. 8, 2011, now Pat. No. Des. 692,066.

(51) **LOC (12) Cl.** **21-01**

(52) **U.S. Cl.**
 USPC **D21/392**

(58) **Field of Classification Search**
 USPC D21/392; D99/34, 28; D20/9;
 D18/12.1, 3.1; D19/73
 CPC G07D 9/002
 See application file for complete search history.



D317,951	S	7/1991	Miller	7,316,615	B2	1/2008	Soltys et al.	
5,039,102	A	8/1991	Miller	7,374,170	B2	5/2008	Grauzer et al.	
D319,825	S	9/1991	Andrew	7,390,256	B2	6/2008	Soltys et al.	
5,067,713	A	11/1991	Soules et al.	7,717,427	B2	5/2010	Grauzer et al.	
D323,490	S	1/1992	Jarilla-Valiente	7,775,887	B2	8/2010	Kuhn et al.	
5,110,134	A	5/1992	Laughlin et al.	7,780,512	B2	8/2010	Sines et al.	
5,166,502	A	11/1992	Rendleman et al.	7,803,051	B2	9/2010	Kuhn et al.	
D335,751	S *	5/1993	Johnson	7,933,448	B2	4/2011	Downs, III	D99/34
5,219,172	A	6/1993	Laughlin et al.	8,118,305	B2	2/2012	Grauzer et al.	
5,224,712	A	7/1993	Laughlin et al.	8,142,271	B2	3/2012	Kuhn et al.	
5,283,422	A	2/1994	Storch et al.	D657,427	S	4/2012	Gelinotte et al.	
5,312,104	A	5/1994	Miller	8,287,386	B2	10/2012	Miller et al.	
5,362,053	A	11/1994	Miller	8,387,987	B2	3/2013	Snow et al.	
5,364,106	A	11/1994	Laughlin et al.	8,398,084	B2	3/2013	Hall	
5,374,061	A	12/1994	Albrecht	D680,537	S	4/2013	Miller et al.	
5,437,174	A	8/1995	Aydin	D690,895	S *	10/2013	Knox, Jr.	D19/73
5,451,054	A	9/1995	Orenstein	D692,066	S	10/2013	Miller et al.	
5,531,331	A	7/1996	Barnett	D692,067	S	10/2013	Miller et al.	
5,574,309	A	11/1996	Papapietro et al.	D692,068	S	10/2013	Miller et al.	
5,651,548	A	7/1997	French et al.	8,668,148	B2	3/2014	Gronau et al.	
5,669,816	A	9/1997	Garczynski et al.	D714,877	S	10/2014	Kneitel	
5,681,039	A	10/1997	Miller	D844,045	S *	3/2019	Umeda	D18/3.1
5,722,893	A	3/1998	Hill et al.	D844,048	S *	3/2019	Abe	D18/12.1
5,757,876	A	5/1998	Dam et al.	2002/0086727	A1	7/2002	Soltys et al.	
5,772,505	A	6/1998	Garczynski et al.	2002/0155869	A1	10/2002	Soltys et al.	
5,779,546	A	7/1998	Meissner et al.	2002/0165029	A1	11/2002	Soltys et al.	
5,781,647	A	7/1998	Fishbine et al.	2003/0220136	A1	11/2003	Soltys et al.	
5,809,482	A	9/1998	Strisower	2004/0219975	A1	11/2004	Soltys et al.	
5,933,244	A	8/1999	Kiritchenko	2005/0239542	A1	10/2005	Olsen	
5,941,769	A	8/1999	Order	2005/0258597	A1	11/2005	Soltys et al.	
5,961,121	A	10/1999	Brown	2005/0282623	A1	12/2005	Matsumo et al.	
D417,059	S *	11/1999	Richter	2006/0019739	A1	1/2006	Soltys et al.	D99/34
6,039,650	A	3/2000	Hill	2006/0063577	A1	3/2006	Downs et al.	
6,126,166	A	10/2000	Lorson et al.	2006/0199649	A1	9/2006	Soltys et al.	
6,254,484	B1	7/2001	McCrea, Jr.	2007/0026949	A1	2/2007	Charlier et al.	
6,267,671	B1	7/2001	Hogan	2007/0240462	A1	10/2007	James et al.	
6,299,536	B1	10/2001	Hill	2009/0121428	A1	5/2009	Markov	
6,313,871	B1	11/2001	Schubert	2009/0191933	A1	7/2009	French	
6,346,044	B1	2/2002	McCrea, Jr.	2009/0291762	A1	11/2009	Walker	
6,431,984	B2	8/2002	Coyer et al.	2013/0292901	A1	11/2013	Kneitel	
6,460,848	B1	10/2002	Soltys et al.					
6,514,140	B1	2/2003	Storch					
6,517,435	B2	2/2003	Soltys et al.					
6,517,436	B2	2/2003	Soltys et al.					
6,520,857	B2	2/2003	Soltys et al.					
6,527,271	B2	3/2003	Soltys et al.					
6,530,836	B2	3/2003	Soltys et al.					
6,532,297	B1	3/2003	Lindquist					
6,533,276	B2	3/2003	Soltys et al.					
6,567,159	B1	5/2003	Corech					
6,579,180	B2	6/2003	Soltys et al.					
6,595,857	B2	7/2003	Soltys et al.					
6,609,710	B1	8/2003	Order					
6,619,662	B2	9/2003	Miller					
6,626,750	B2	9/2003	Momeny					
D481,519	S *	10/2003	Lee					D99/34
6,629,889	B2	10/2003	Mothwurf					
6,638,161	B2	10/2003	Soltys et al.					
D482,735	S	11/2003	Evans					
6,651,985	B2	11/2003	Sines et al.					
6,652,379	B2	11/2003	Soltys et al.					
6,663,490	B2	12/2003	Soltys et al.					
6,685,568	B2	2/2004	Soltys et al.					
6,688,979	B2	2/2004	Soltys et al.					
6,712,696	B2	3/2004	Soltys et al.					
6,758,751	B2	7/2004	Soltys et al.					
6,845,905	B2	1/2005	Blad et al.					
6,848,994	B1	2/2005	Knust et al.					
6,857,961	B2	2/2005	Soltys et al.					
6,964,612	B2	11/2005	Soltys et al.					
6,991,544	B2	1/2006	Soltys et al.					
7,011,309	B2	3/2006	Soltys et al.					
7,029,009	B2	4/2006	Grauzer et al.					
D522,511	S	6/2006	Sekou					
D526,760	S *	8/2006	Fraser					D99/34
D540,391	S *	4/2007	Irie					D20/9
D541,004	S *	4/2007	Berg					D18/3.1
7,255,642	B2	8/2007	Sines et al.					
7,278,923	B2	10/2007	Grauzer et al.					

FOREIGN PATENT DOCUMENTS

CN	201891317	U	7/2011
DE	1039429	B	9/1958
DE	3524641	A1	1/1987
DE	3807127	A1	9/1989
EP	0310516	A1	4/1989
FR	1356398	A	3/1964
FR	2109213	A5	5/1972
FR	2186839	A5	1/1974
FR	2427107	A1	12/1979
FR	2576518	A1	8/1986
GB	2061490	A	5/1981
WO	99/42186	A1	8/1999
WO	01/20489	A1	3/2001
WO	2002/068074	A2	9/2002
WO	2008/078169	A2	7/2008

OTHER PUBLICATIONS

Poker Table Supplies & Hardware [Viewed on internet on Jun. 28, 2016] <http://web.archive.org/web/20111223215654/http://www.ryeparkpoker.com/table-parts/poker-table-hardware.htm>; Published on Dec. 26, 2007 as per Wayback Machine. http://www.techartinc.com/maxtime_4h_faqs.shtml. http://www.techartinc.com/maxtime_4h_about.shtml.
Casino Industry products—Casino Chip Trays [Viewed on internet on Jun. 28, 2016] <http://web.archive.org/web/20120418234345/http://www.servicecentralinc.com/casino-industry-products.htm>; Published on Apr. 8, 2012 as per Wayback Machine.

* cited by examiner

Primary Examiner — George D. Kirschbaum
(74) Attorney, Agent, or Firm — TraskBritt

(57)

CLAIM

The ornamental design for chip racks, as shown and described.

DESCRIPTION

FIG. 1 is a left front perspective view of an embodiment of the design.

FIG. 2 is a top plan view of the embodiment of FIG. 1.

FIG. 3 is a right side elevational view of the embodiment of FIG. 1.

FIG. 4 is a front elevational view of the embodiment of FIG. 1.

FIG. 5 is a bottom plan view of the embodiment of FIG. 1.

FIG. 6 is a rear elevational view of the embodiment of FIG. 1.

FIG. 7 is a left elevational view of the embodiment of FIG. 1.

FIG. 8 is a right front perspective view of the embodiment of FIG. 1.

FIG. 9 is a left rear perspective view of the embodiment of FIG. 1.

FIG. 10 is a right rear perspective view of the embodiment of FIG. 1.

FIG. 11 is a left front perspective view of an embodiment of the design.

FIG. 12 is a top plan view of the embodiment of FIG. 11.

FIG. 13 is a right side elevational view of the embodiment of FIG. 11.

FIG. 14 is a front elevational view of the embodiment of FIG. 11.

FIG. 15 is a bottom plan view of the embodiment of FIG. 11.

FIG. 16 is a rear elevational view of the embodiment of FIG. 11.

FIG. 17 is a left elevational view of the embodiment of FIG. 11.

FIG. 18 is a right front perspective view of the embodiment of FIG. 11.

FIG. 19 is a left rear perspective view of the embodiment of FIG. 11; and,

FIG. 20 is a right rear perspective view of the embodiment of FIG. 11.

The broken line showing is included for the purpose of illustrating portions of the "article" and forms no part of the claimed design.

1 Claim, 20 Drawing Sheets

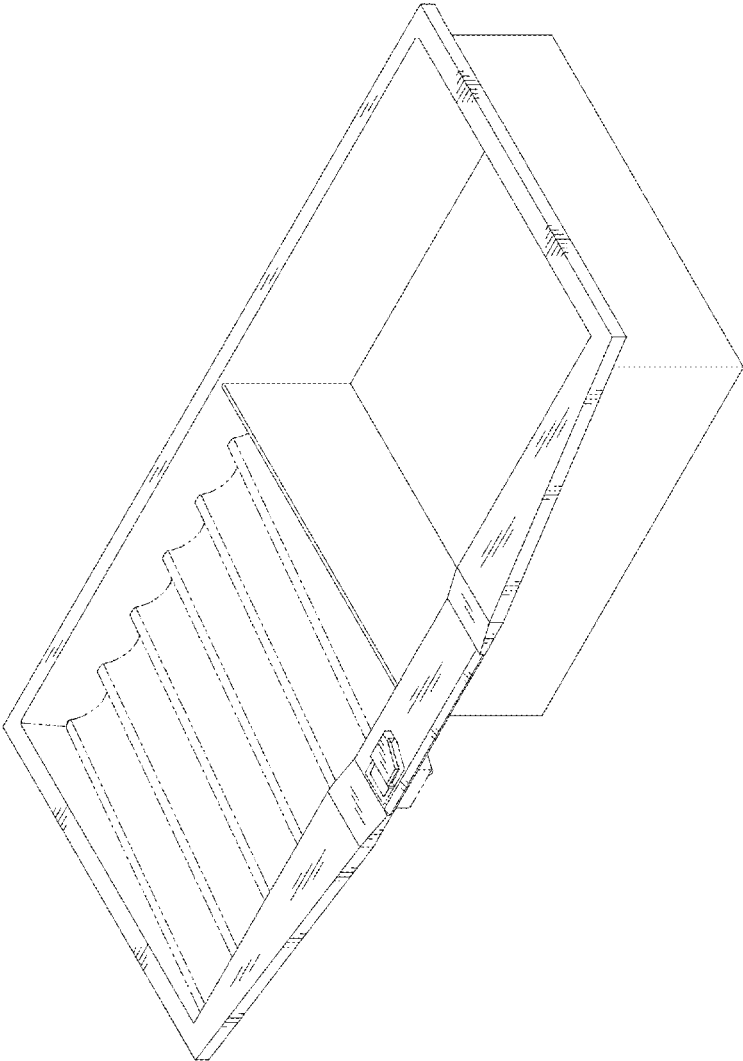


FIG. 1

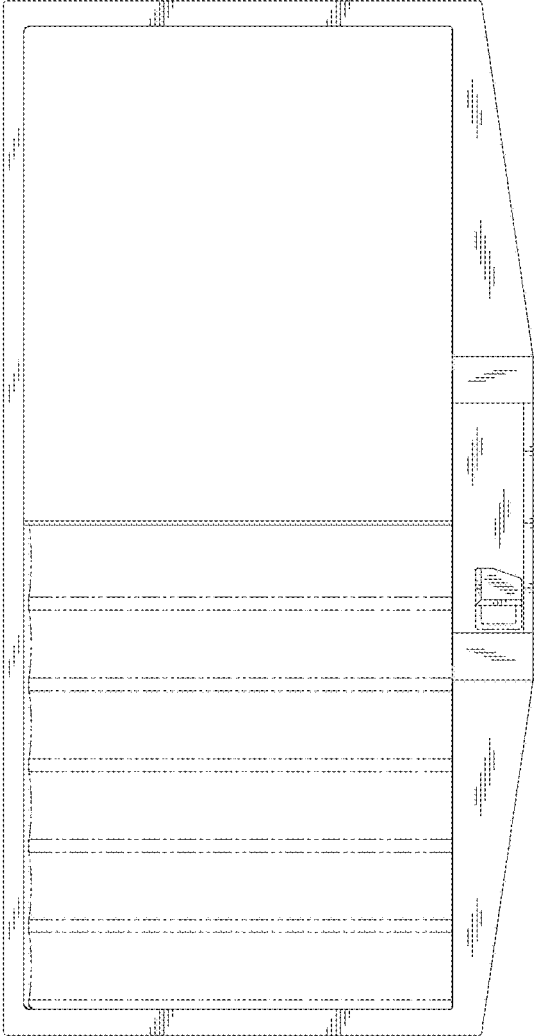


FIG. 2

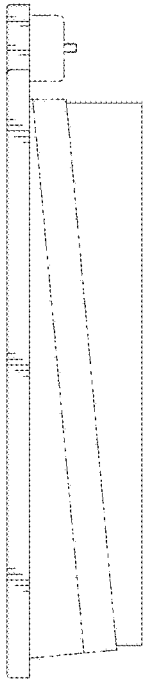


FIG. 3

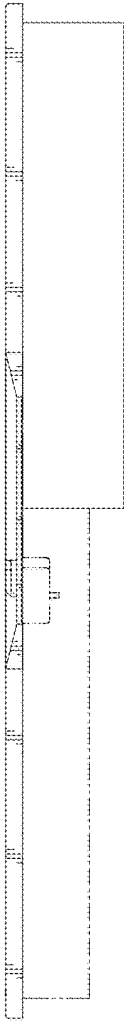


FIG. 4

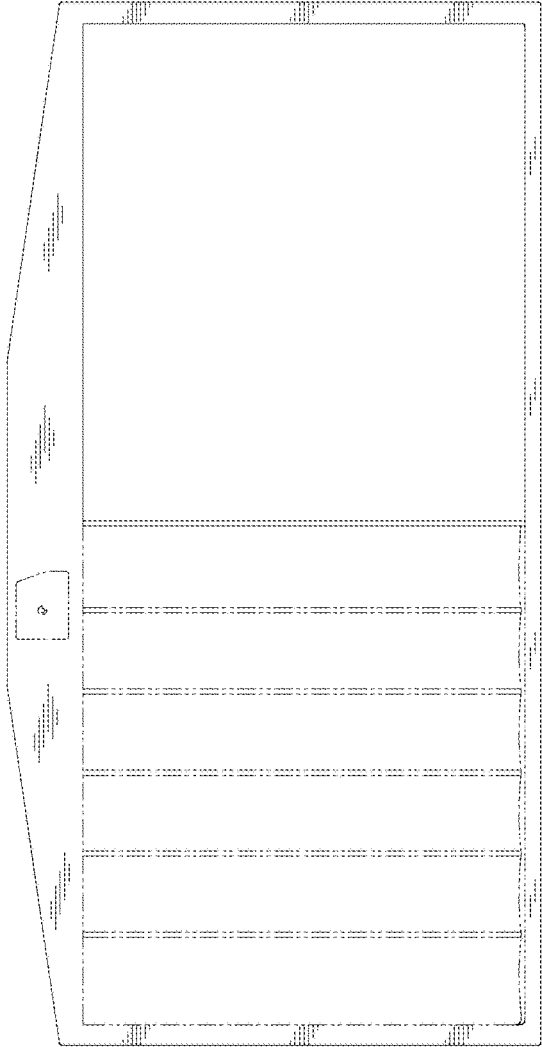


FIG. 5

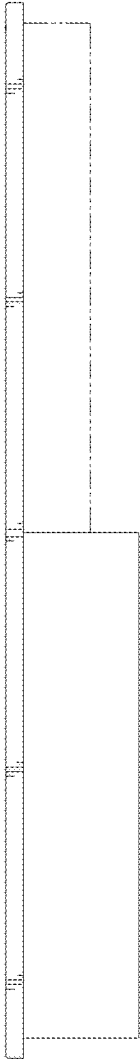


FIG. 6

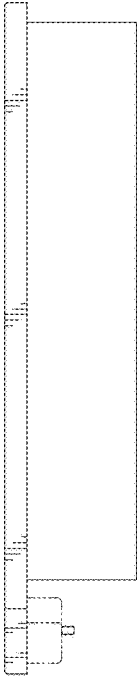


FIG. 7

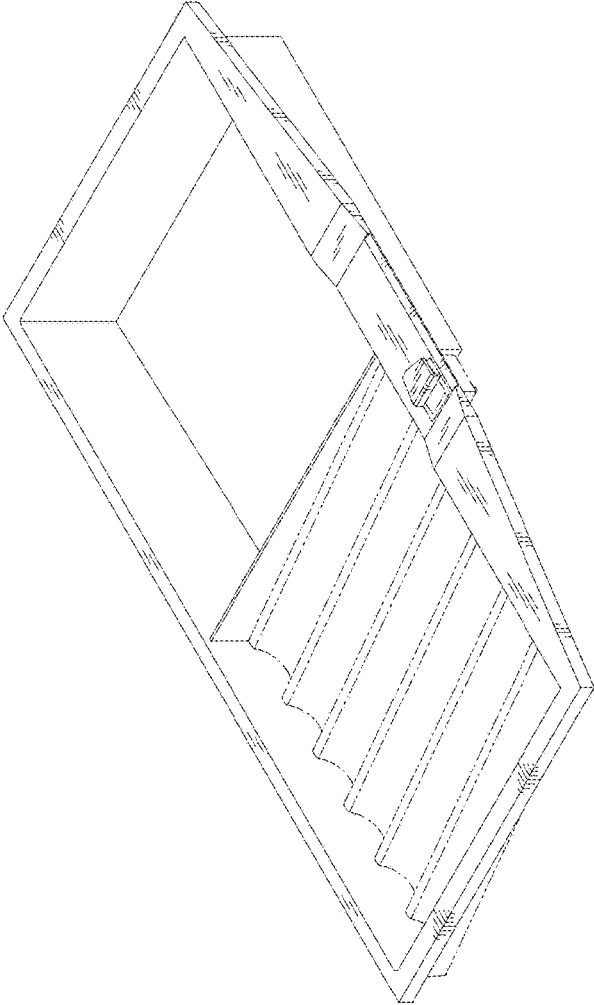


FIG. 8

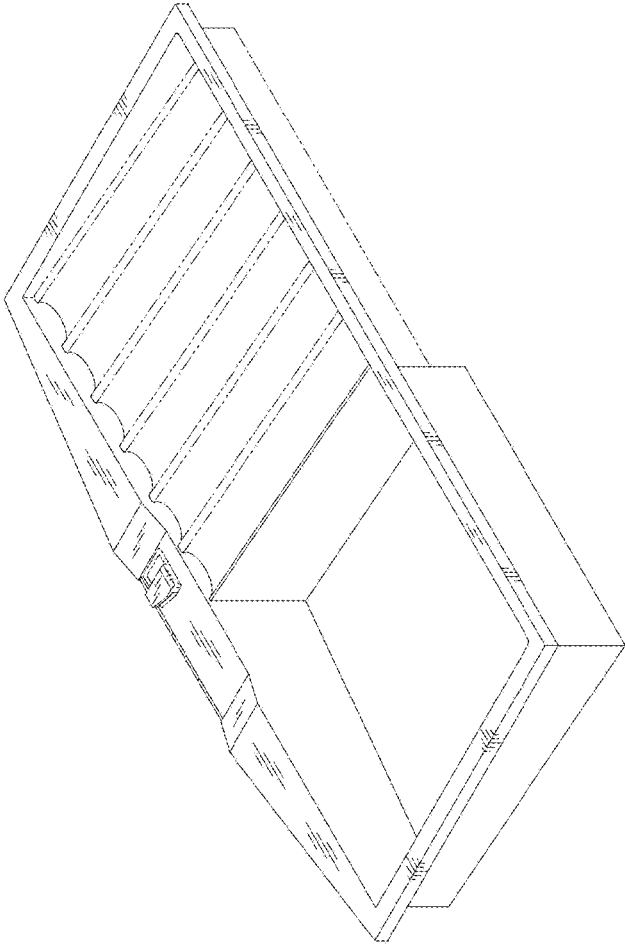


FIG. 9

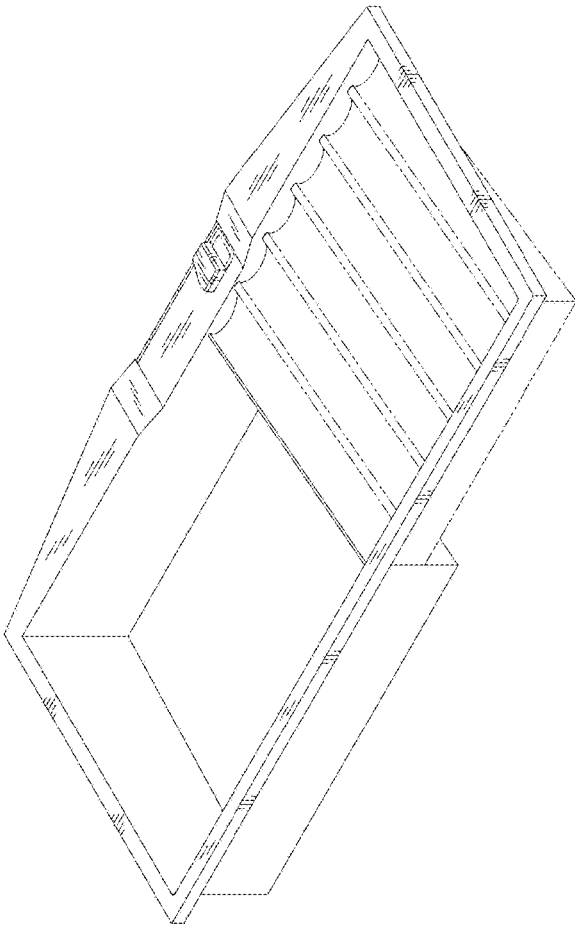


FIG. 10

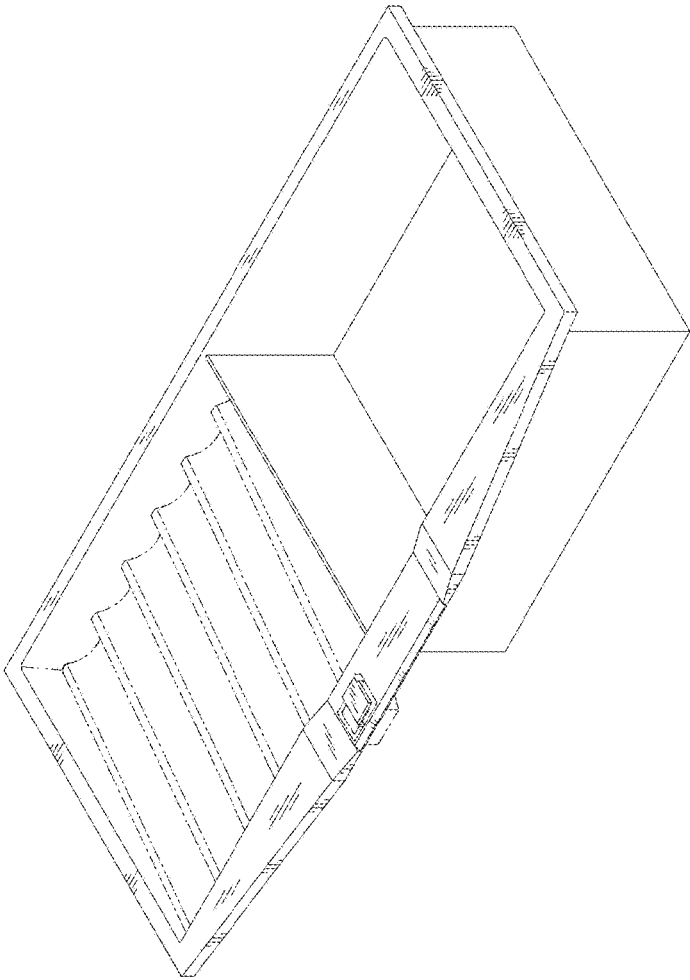


FIG. 11

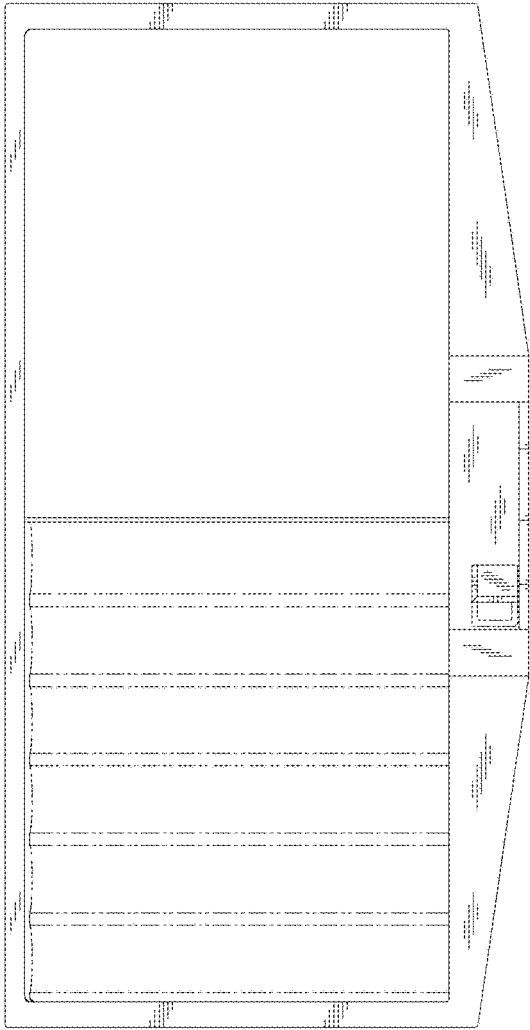


FIG. 12

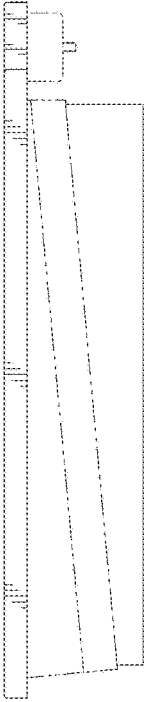


FIG. 13

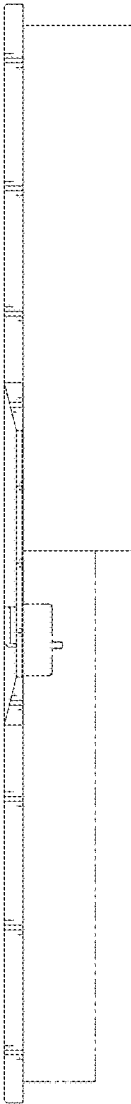


FIG. 14

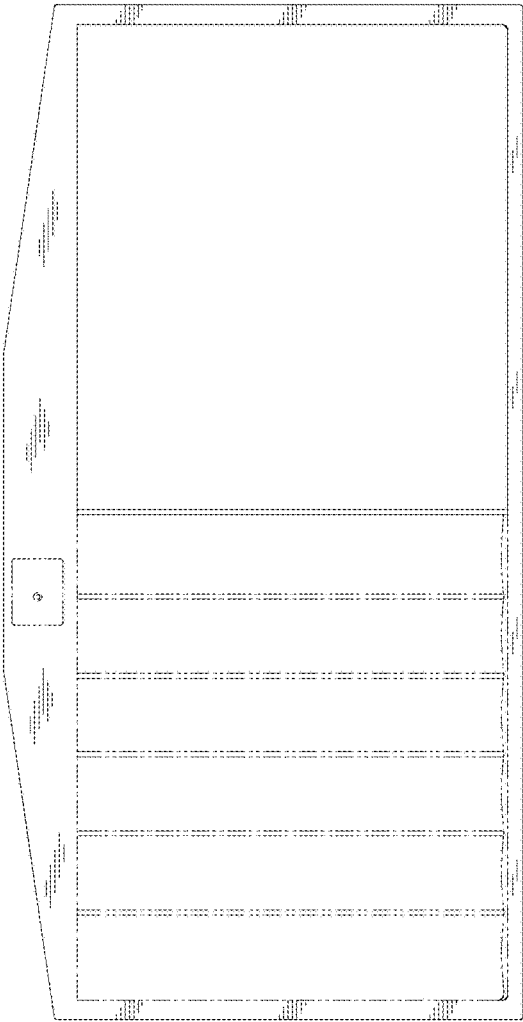


FIG. 15



FIG. 16

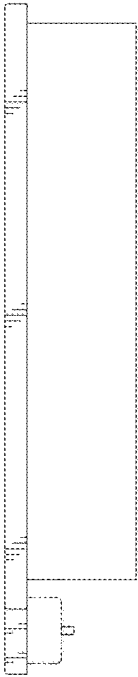


FIG. 17

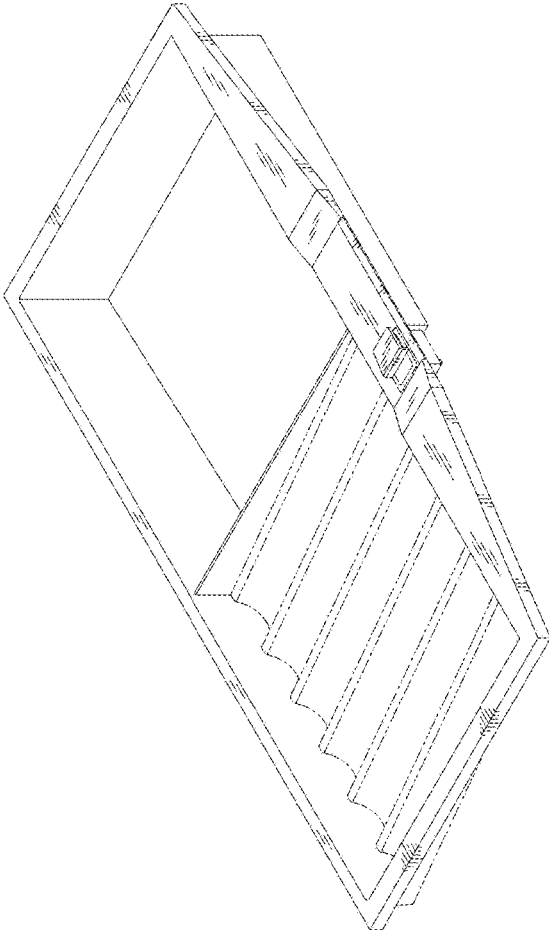


FIG. 18

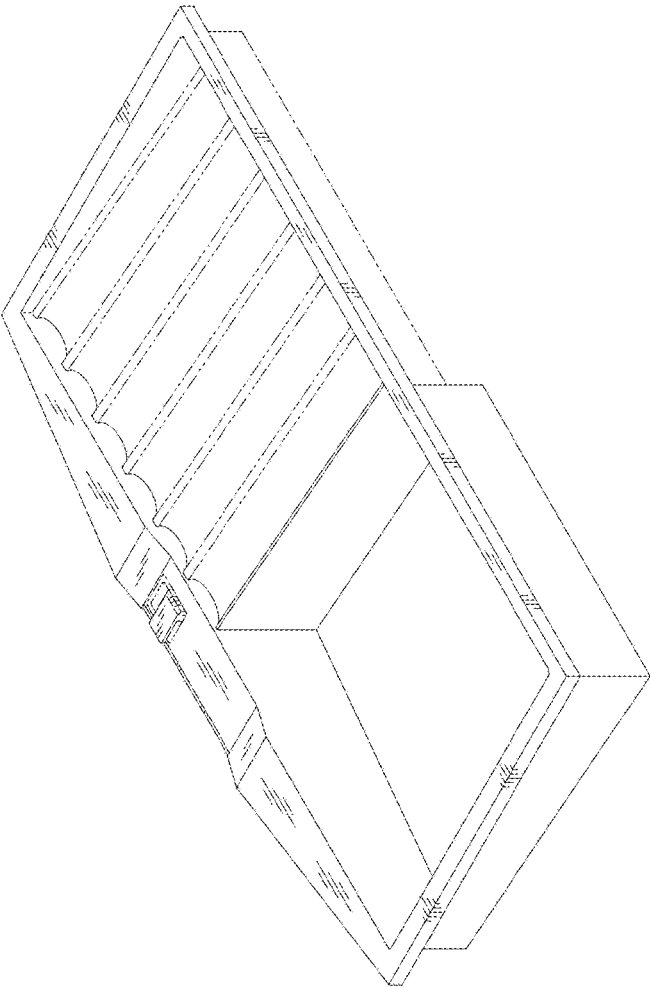


FIG. 19

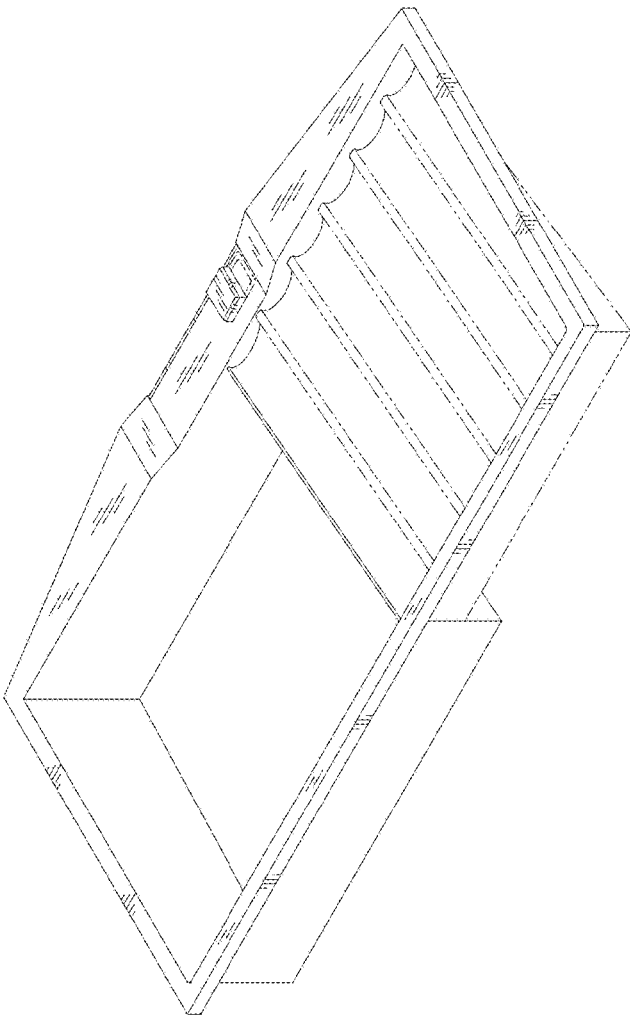


FIG. 20