



(51) International Patent Classification:
A61M 5/00 (2006.01)

(21) International Application Number:
PCT/US2015/064707

(22) International Filing Date:
9 December 2015 (09.12.2015)

(25) Filing Language: English

(26) Publication Language: English

(30) Priority Data:
14/599,202 16 January 2015 (16.01.2015) US

(71) Applicant: **PLAS-TECH ENGINEERING, INC.**
[US/US]; 875 Geneva Parkway N., Lake Geneva, WI 53147 (US).

(72) Inventors: **HRISCHMANN, Aaron**; 875 Geneva Parkway N., Lake Geneva, WI 53147 (US). **HACKER, Robert**; 875 Geneva Parkway N., Lake Geneva, WI 53147 (US). **FE-SUS, Robert**; 875 Geneva Parkway N., Lake Geneva, WI 53147 (US). **GRIMES, Christopher, J.**; 63 Saville Street, Walton On The Naze, Essex CO14 8PW (GB). **TALBOT GRIFFITH, Hannah, M.**; Sunnysdene, 69 Windsor Road, Chobham, Woking, Surrey GU24 8LD (GB).

(74) Agents: **HOCKERSMITH, Melissa, S.** et al.; Smith Keane LLP, 1130 James Dr., Suite 104, Hartland, WI 53029 (US).

(81) Designated States (unless otherwise indicated, for every kind of national protection available): AE, AG, AL, AM, AO, AT, AU, AZ, BA, BB, BG, BH, BN, BR, BW, BY, BZ, CA, CH, CL, CN, CO, CR, CU, CZ, DE, DK, DM, DO, DZ, EC, EE, EG, ES, FI, GB, GD, GE, GH, GM, GT, HN, HR, HU, ID, IL, IN, IR, IS, JP, KE, KG, KN, KP, KR, KZ, LA, LC, LK, LR, LS, LU, LY, MA, MD, ME, MG, MK, MN, MW, MX, MY, MZ, NA, NG, NI, NO, NZ, OM, PA, PE, PG, PH, PL, PT, QA, RO, RS, RU, RW, SA, SC, SD, SE, SG, SK, SL, SM, ST, SV, SY, TH, TJ, TM, TN, TR, TT, TZ, UA, UG, US, UZ, VC, VN, ZA, ZM, ZW.

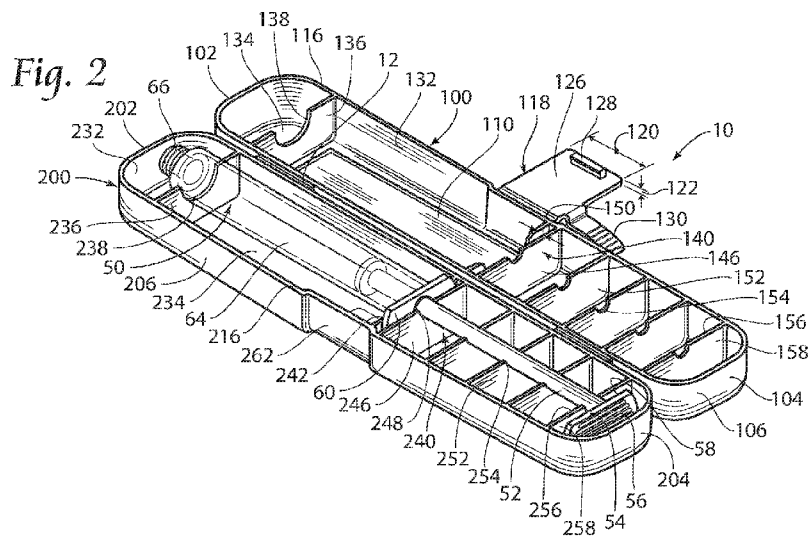
(84) Designated States (unless otherwise indicated, for every kind of regional protection available): ARIPO (BW, GH, GM, KE, LR, LS, MW, MZ, NA, RW, SD, SL, ST, SZ, TZ, UG, ZM, ZW), Eurasian (AM, AZ, BY, KG, KZ, RU, TJ, TM), European (AL, AT, BE, BG, CH, CY, CZ, DE, DK, EE, ES, FI, FR, GB, GR, HR, HU, IE, IS, IT, LT, LU, LV, MC, MK, MT, NL, NO, PL, PT, RO, RS, SE, SI, SK, SM, TR), OAPI (BF, BJ, CF, CG, CI, CM, GA, GN, GQ, GW, KM, ML, MR, NE, SN, TD, TG).

Published:

- with international search report (Art. 21(3))
- before the expiration of the time limit for amending the claims and to be republished in the event of receipt of amendments (Rule 48.2(h))

[Continued on next page]

(54) Title: TAMPER EVIDENT CLOSURE CONTAINER



(88) Date of publication of the international search report:
27 October 2016

INTERNATIONAL SEARCH REPORT

International application No.

PCT/US 15/64707

A. CLASSIFICATION OF SUBJECT MATTER

IPC(8) - A61M 5/00 (2016.01)

CPC - A61M5/002, A61M5/31501, A61M5/31525, A61M5/50, B65D55/06

According to International Patent Classification (IPC) or to both national classification and IPC

B. FIELDS SEARCHED

Minimum documentation searched (classification system followed by classification symbols)

IPC(8) A61M 5/00 (2016.01)

CPC A61M5/00

Documentation searched other than minimum documentation to the extent that such documents are included in the fields searched

IPC(8) B65D55/00 (2016.01)

CPC A61M5/002, A61M5/31501, A61M5/31525, A61M5/50, B65D55/06 (keyword limited; terms below)

Electronic data base consulted during the international search (name of data base and, where practicable, search terms used)

Google; Google Patents; Patbase; syringe case stack dosing ribs pull tab tamper evident holder retainer stacking structure holes lock seal catheter tray snap together male window surface treating interlock opacity

C. DOCUMENTS CONSIDERED TO BE RELEVANT

Category*	Citation of document, with indication, where appropriate, of the relevant passages	Relevant to claim No.
A	US 5,090,564 A (CHIMIENTI) 25 February 1992 (25.02.1992), entire document.	1-14
A	US 8,056,716 B2 (FONTEYNE et al.) 15 November 2011 (15.11.2011), entire document.	1-14
A	US 2,955,705 A (KRUEGER et al.) 11 October 1960 (11.10.1960), entire document.	1-14
A	US 2014/0367383 A1 (SELLARI et al.) 18 December 2014 (18.12.2014), entire document.	1-14
A	US 6,595,362 B2 (PENNEY ET AL.) 22 July 2003 (22.07.2003), entire document.	1-14

 Further documents are listed in the continuation of Box C.

* Special categories of cited documents:

"A" document defining the general state of the art which is not considered to be of particular relevance

"E" earlier application or patent but published on or after the international filing date

"L" document which may throw doubts on priority claim(s) or which is cited to establish the publication date of another citation or other special reason (as specified)

"O" document referring to an oral disclosure, use, exhibition or other means

"P" document published prior to the international filing date but later than the priority date claimed

"T" later document published after the international filing date or priority date and not in conflict with the application but cited to understand the principle or theory underlying the invention

"X" document of particular relevance; the claimed invention cannot be considered novel or cannot be considered to involve an inventive step when the document is taken alone

"Y" document of particular relevance; the claimed invention cannot be considered to involve an inventive step when the document is combined with one or more other such documents, such combination being obvious to a person skilled in the art

"&" document member of the same patent family

Date of the actual completion of the international search

9 September 2016

Date of mailing of the international search report

22 SEP 2016

Name and mailing address of the ISA/US

Mail Stop PCT, Attn: ISA/US, Commissioner for Patents
P.O. Box 1450, Alexandria, Virginia 22313-1450
Facsimile No. 571-273-8300

Authorized officer:

Lee W. Young

PCT Helpdesk: 571-272-4300
PCT OSP: 571-272-7774