



- (51) **International Patent Classification:**
H04L 27/34 (2006.01) *H04W 88/08* (2009.01)
H01Q 1/24 (2006.01) *H04B 7/02* (2006.01)
- (21) **International Application Number:**
PCT/US2012/041829
- (22) **International Filing Date:**
11 June 2012 (11.06.2012)
- (25) **Filing Language:** English
- (26) **Publication Language:** English
- (30) **Priority Data:**
61/495,093 9 June 2011 (09.06.2011) US
- (71) **Applicant (for all designated States except US):** AN-DREW LLC [US/US]; 1100 CommScope Place, S.E., Hickory, North Carolina 28602 (US).
- (72) **Inventors; and**
- (75) **Inventors/Applicants (for US only):** KUMMETZ, Thomas [US/US]; 1903 Rocky Branch Drive, Forest, Virginia 24551 (US). RANSON, Christopher G. [US/US]; 465 Carrie Lane, Concord, Virginia 24538 (US).
- (74) **Agents:** PRATT, John S. et al.; Kilpatrick Townsend & Stockton LLP, 1100 Peachtree Street, Suite 2800, Atlanta, Georgia 30309 (US).
- (81) **Designated States (unless otherwise indicated, for every kind of national protection available):** AE, AG, AL, AM,

AO, AT, AU, AZ, BA, BB, BG, BH, BR, BW, BY, BZ, CA, CH, CL, CN, CO, CR, CU, CZ, DE, DK, DM, DO, DZ, EC, EE, EG, ES, FI, GB, GD, GE, GH, GM, GT, HN, HR, HU, ID, IL, IN, IS, JP, KE, KG, KM, KN, KP, KR, KZ, LA, LC, LK, LR, LS, LT, LU, LY, MA, MD, ME, MG, MK, MN, MW, MX, MY, MZ, NA, NG, NI, NO, NZ, OM, PE, PG, PH, PL, PT, QA, RO, RS, RU, RW, SC, SD, SE, SG, SK, SL, SM, ST, SV, SY, TH, TJ, TM, TN, TR, TT, TZ, UA, UG, US, UZ, VC, VN, ZA, ZM, ZW.

- (84) **Designated States (unless otherwise indicated, for every kind of regional protection available):** ARIPO (BW, GH, GM, KE, LR, LS, MW, MZ, NA, RW, SD, SL, SZ, TZ, UG, ZM, ZW), Eurasian (AM, AZ, BY, KG, KZ, RU, TJ, TM), European (AL, AT, BE, BG, CH, CY, CZ, DE, DK, EE, ES, FI, FR, GB, GR, HR, HU, IE, IS, IT, LT, LU, LV, MC, MK, MT, NL, NO, PL, PT, RO, RS, SE, SI, SK, SM, TR), OAPI (BF, BJ, CF, CG, CI, CM, GA, GN, GQ, GW, ML, MR, NE, SN, TD, TG).

- Published:**
 - with international search report (Art. 21(3))
 - before the expiration of the time limit for amending the claims and to be republished in the event of receipt of amendments (Rule 48.2(h))
- (88) **Date of publication of the international search report:**
7 March 2013

(54) **Title:** DISTRIBUTED ANTENNA SYSTEM INTERFACE FOR PROCESSING DIGITAL SIGNALS IN A STANDARDIZED FORMAT

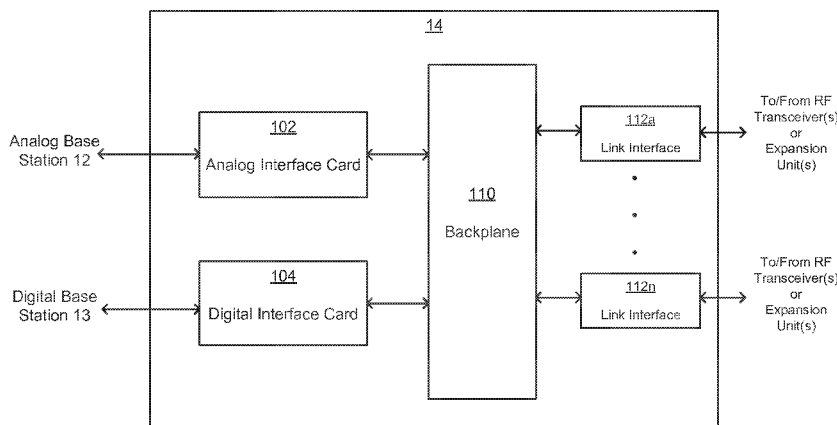


FIG. 2

(57) **Abstract:** An interface is provided for processing digital signals in a standardized format in a distributed antenna system. One example includes a unit disposed in a distributed antenna system. The unit includes an interface section and an output section. The interface section is configured for outputting a first complex digital signal and a second complex digital signal. The first complex digital signal is generated from a digital signal in a standardized format received from a digital base station. The output section is configured for combining the first complex digital signal and the second complex digital signal into a combined digital signal. The output section is also configured for outputting the combined digital signal. The combined digital signal comprises information to be wirelessly transmitted to a wireless user device.



INTERNATIONAL SEARCH REPORT

International application No
PCT/US2012/041829

A. CLASSIFICATION OF SUBJECT MATTER
INV. H04L27/34 H01Q1/24 H04W88/08 H04B7/02
ADD.
According to International Patent Classification (IPC) or to both national classification and IPC

B. FIELDS SEARCHED
Minimum documentation searched (classification system followed by classification symbols)
H04L H04W H01Q H04B

Documentation searched other than minimum documentation to the extent that such documents are included in the fields searched

Electronic data base consulted during the international search (name of data base and, where practicable, search terms used)
EPO-Internal, INSPEC, WPI Data

C. DOCUMENTS CONSIDERED TO BE RELEVANT

Category*	Citation of document, with indication, where appropriate, of the relevant passages	Relevant to claim No.
X	US 2009/061940 A1 (SCHEINERT STEFAN [US] ET AL) 5 March 2009 (2009-03-05) paragraph [0021] paragraph [0024] figure 1	1-16
X	US 2008/199183 A1 (LIU SHENG [CN] ET AL) 21 August 2008 (2008-08-21) pages 1-17 paragraph [0025] paragraph [0038] - paragraph [0039] paragraph [0039] - paragraph [0040] figure 7	1-16
X,P	US 2012/039320 A1 (LEMSON PAUL [US] ET AL) 16 February 2012 (2012-02-16) paragraph [0030] figures 5,6	1-16
	----- -/--	

Further documents are listed in the continuation of Box C.

See patent family annex.

* Special categories of cited documents :

- "A" document defining the general state of the art which is not considered to be of particular relevance
- "E" earlier application or patent but published on or after the international filing date
- "L" document which may throw doubts on priority claim(s) or which is cited to establish the publication date of another citation or other special reason (as specified)
- "O" document referring to an oral disclosure, use, exhibition or other means
- "P" document published prior to the international filing date but later than the priority date claimed

- "T" later document published after the international filing date or priority date and not in conflict with the application but cited to understand the principle or theory underlying the invention
- "X" document of particular relevance; the claimed invention cannot be considered novel or cannot be considered to involve an inventive step when the document is taken alone
- "Y" document of particular relevance; the claimed invention cannot be considered to involve an inventive step when the document is combined with one or more other such documents, such combination being obvious to a person skilled in the art
- "&" document member of the same patent family

Date of the actual completion of the international search 8 October 2012	Date of mailing of the international search report 10/01/2013
Name and mailing address of the ISA/ European Patent Office, P.B. 5818 Patentlaan 2 NL - 2280 HV Rijswijk Tel. (+31-70) 340-2040, Fax: (+31-70) 340-3016	Authorized officer Anghe1, Paul

INTERNATIONAL SEARCH REPORT

International application No
PCT/US2012/041829

C(Continuation). DOCUMENTS CONSIDERED TO BE RELEVANT		
Category*	Citation of document, with indication, where appropriate, of the relevant passages	Relevant to claim No.
X,P	US 2012/039254 A1 (STAPLETON SHAWN PATRICK [CA] ET AL) 16 February 2012 (2012-02-16) pages 1-16 paragraph [0008] paragraph [0029] paragraph [0048] figures 1,2 -----	1-16

INTERNATIONAL SEARCH REPORT

International application No.
PCT/US2012/041829

Box No. II Observations where certain claims were found unsearchable (Continuation of item 2 of first sheet)

This international search report has not been established in respect of certain claims under Article 17(2)(a) for the following reasons:

1. Claims Nos.:
because they relate to subject matter not required to be searched by this Authority, namely:

2. Claims Nos.:
because they relate to parts of the international application that do not comply with the prescribed requirements to such an extent that no meaningful international search can be carried out, specifically:

3. Claims Nos.:
because they are dependent claims and are not drafted in accordance with the second and third sentences of Rule 6.4(a).

Box No. III Observations where unity of invention is lacking (Continuation of item 3 of first sheet)

This International Searching Authority found multiple inventions in this international application, as follows:

see additional sheet

1. As all required additional search fees were timely paid by the applicant, this international search report covers all searchable claims.

2. As all searchable claims could be searched without effort justifying an additional fees, this Authority did not invite payment of additional fees.

3. As only some of the required additional search fees were timely paid by the applicant, this international search report covers only those claims for which fees were paid, specifically claims Nos.:

4. No required additional search fees were timely paid by the applicant. Consequently, this international search report is restricted to the invention first mentioned in the claims; it is covered by claims Nos.:

1-16

Remark on Protest

- The additional search fees were accompanied by the applicant's protest and, where applicable, the payment of a protest fee.
- The additional search fees were accompanied by the applicant's protest but the applicable protest fee was not paid within the time limit specified in the invitation.
- No protest accompanied the payment of additional search fees.

FURTHER INFORMATION CONTINUED FROM PCT/ISA/ 210

This International Searching Authority found multiple (groups of) inventions in this international application, as follows:

1. claims: 1-16

Multiple signal processor

2. claims: 17-22

Distributed antenna system structure

INTERNATIONAL SEARCH REPORT

Information on patent family members

International application No PCT/US2012/041829

Patent document cited in search report	Publication date	Patent family member(s)	Publication date	
US 2009061940	A1	05-03-2009	CA 2697787 A1	05-03-2009
			CN 101842995 A	22-09-2010
			EP 2186206 A1	19-05-2010
			US 2009061940 A1	05-03-2009
			WO 2009029077 A1	05-03-2009

US 2008199183	A1	21-08-2008	CN 1977548 A	06-06-2007
			JP 4484929 B2	16-06-2010
			JP 2008506321 A	28-02-2008
			US 2008199183 A1	21-08-2008
			WO 2006005228 A1	19-01-2006

US 2012039320	A1	16-02-2012	US 2010271957 A1	28-10-2010
			US 2012039320 A1	16-02-2012

US 2012039254	A1	16-02-2012	CN 102017553 A	13-04-2011
			EP 2106648 A2	07-10-2009
			JP 2010518660 A	27-05-2010
			KR 20100014339 A	10-02-2010
			US 2008152037 A1	26-06-2008
			US 2012039254 A1	16-02-2012
			US 2012147993 A1	14-06-2012
			WO 2008078195 A2	03-07-2008
