



US0D1020128S

(12) **United States Design Patent**
Huang

(10) **Patent No.:** **US D1,020,128 S**

(45) **Date of Patent:** **** Mar. 26, 2024**

- (54) **PET SHOE**
- (71) Applicant: **Jingyuan Huang**, Baise (CN)
- (72) Inventor: **Jingyuan Huang**, Baise (CN)
- (**) Term: **15 Years**
- (21) Appl. No.: **29/896,706**
- (22) Filed: **Jul. 6, 2023**
- (51) **LOC (14) Cl.** **30-01**
- (52) **U.S. Cl.**
USPC **D30/146**
- (58) **Field of Classification Search**
USPC D30/144, 145, 146, 147, 148, 149, 151,
D30/152, 158, 161, 199; D24/110.1, 124,
D24/126, 188, 189, 190, 192; D2/719,
D2/743, 744, 747, 860, 882, 892, 897,
D2/909, 919, 980; D29/101.1, 101.5, 104
CPC A01K 13/007; A01K 13/006; A01K 23/00;
A01L 5/00; A01L 7/02
See application file for complete search history.

- 2014/0150299 A1* 6/2014 Entler A01K 13/007
36/111
- 2015/0053148 A1* 2/2015 Huang D03D 1/00
28/169
- 2016/0227739 A1* 8/2016 Yang A01K 13/007

OTHER PUBLICATIONS

“AQH: Breathable Pet Shoe”. Found online Sep. 19, 2023 at amazon.co.uk. Reference dated Jun. 2, 2023. Retrieved from <https://www.amazon.co.uk/Protectors-Reflective-Anti-Slip-Breathable-Hardfloors/dp/B0C6X2GGYP/>.*

“BoxBerk: Waterproof Dog Shoe”. Found online Sep. 19, 2023 at amazon.com. Reference dated Jun. 8, 2023. Retrieved from <https://www.amazon.com/Boxxberk-Waterproof-Protector-Reflective-Black/dp/B0C4338D8V/>.*

(Continued)

Primary Examiner — Kendra Leslie Hamilton
(74) *Attorney, Agent, or Firm* — Justin Lampel

(57) **CLAIM**

The ornamental design for a pet shoe, as shown and described.

DESCRIPTION

FIG. 1 is a front, bottom perspective view of a pet shoe, showing my new design;
FIG. 2 is a top, rear perspective view thereof;
FIG. 3 is a front elevational view thereof;
FIG. 4 is a rear elevational view thereof;
FIG. 5 is a left side view thereof;
FIG. 6 is a right side view thereof;
FIG. 7 is a top plan view thereof;
FIG. 8 is a bottom plan view thereof; and,
FIG. 9 is an enlarged, perspective view of detail “9”, identified in FIG. 1.

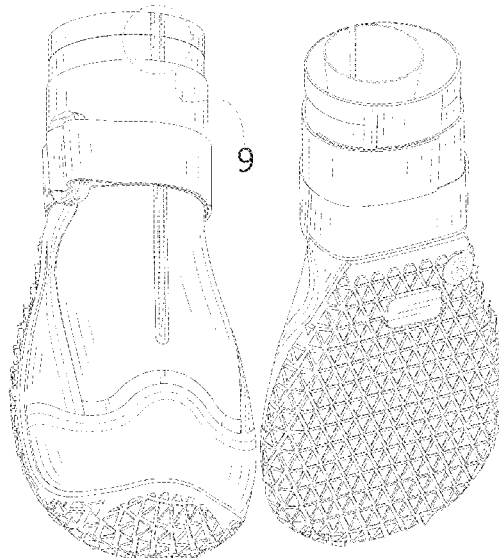
In the drawings, the equal-length broken lines depict portions of the pet shoe that form no part of the claimed design. The dash-dot-dash broken lines depict stitching on the pet shoe that forms no part of the claimed design. All broken lines form no part of the claim.

1 Claim, 9 Drawing Sheets

(56) **References Cited**

U.S. PATENT DOCUMENTS

- D330,108 S * 10/1992 Kazapowski D2/897
- D514,262 S * 1/2006 Sabeh-Azar D30/146
- D542,483 S 5/2007 Maloney
- D571,917 S * 6/2008 Stoši D24/171
- D670,453 S * 11/2012 Knutson D30/146
- D924,496 S * 7/2021 Simon D30/146
- D945,086 S * 3/2022 Yin D30/146
- D991,582 S * 7/2023 Huang D30/146
- 2005/0092260 A1* 5/2005 Paxton A01K 13/007
119/850
- 2007/0044734 A1* 3/2007 Maloney A01K 13/007
119/850
- 2011/0041779 A1* 2/2011 Hurwitz A01K 13/007
119/850



(56)

References Cited

OTHER PUBLICATIONS

"HCPet: Breathable Dog Shoe". Found online Sep. 19, 2023 at amazon.com. Reference dated Jan. 28, 2021. Retrieved from <https://www.amazon.com/Breathable-Reflective-Anti-Slip-Skid-Proof-Protectors/dp/B08V87FSC7/>.*

"Ruffwear: Grip Trex Bark'n Boots". Found online Jun. 7, 2016 at amazon.com. Reference dated Nov. 17, 2008. Retrieved from http://www.amazon.com/Ruff-Wear-Barkn-Boots-products/dp/B000XRLZ7C/ref=cm_cr_ar_p_d_product_top?ie=UTF8.*

"Aokown: Paw-Protector Shoe". Found online Jan. 3, 2024 at amazon.com. Reference dated May 4, 2023. Retrieved from <https://www.amazon.com/Breathable-Protector-Pavement-Hardfloors-4PCS-Size/dp/B0C28D7MVC/>.*

* cited by examiner

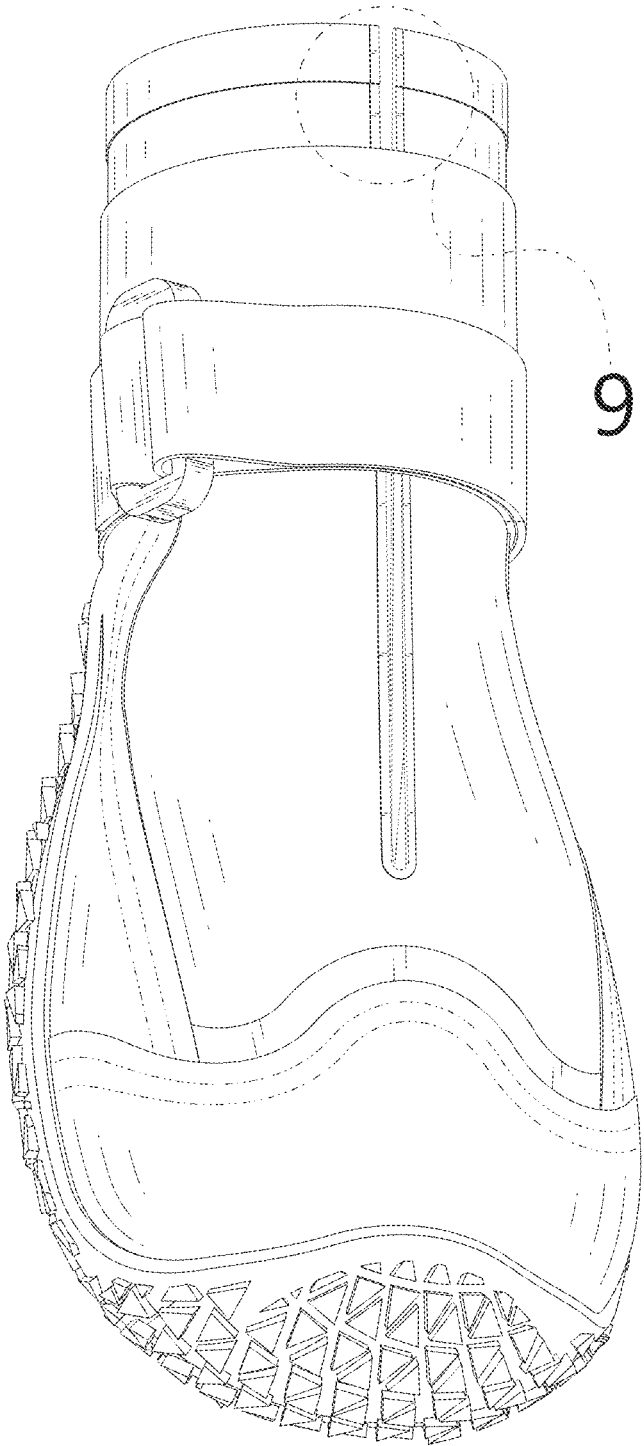


FIG. 1

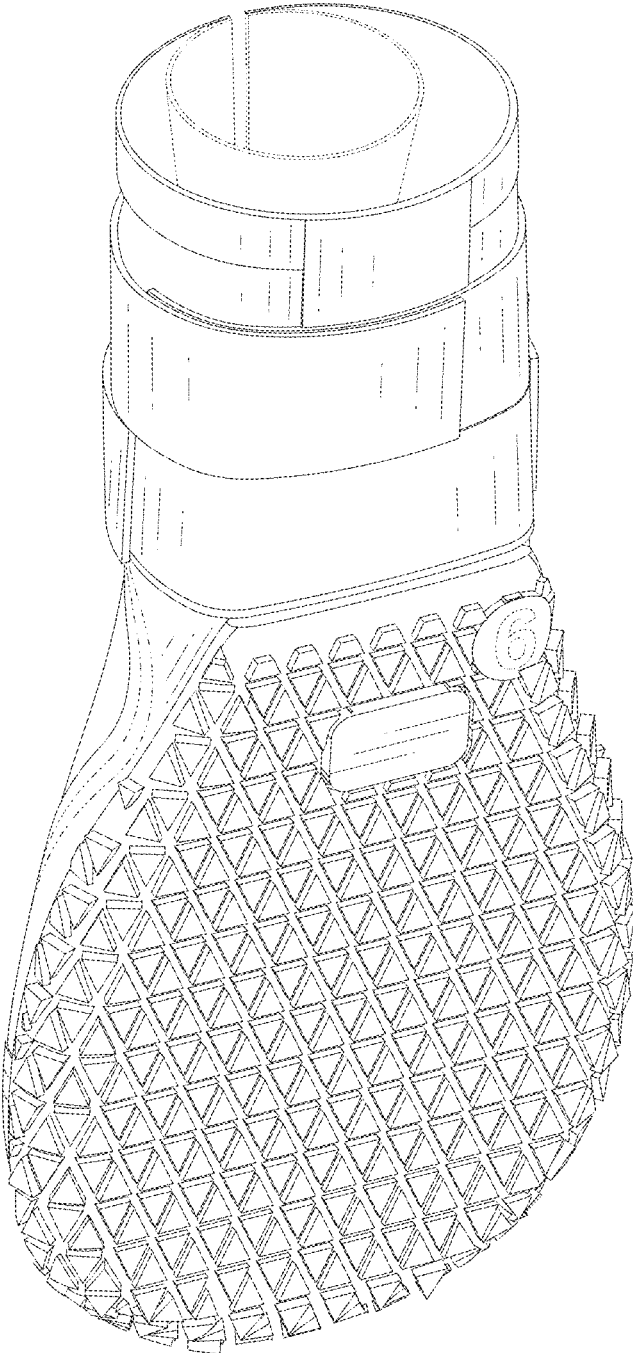


FIG. 2

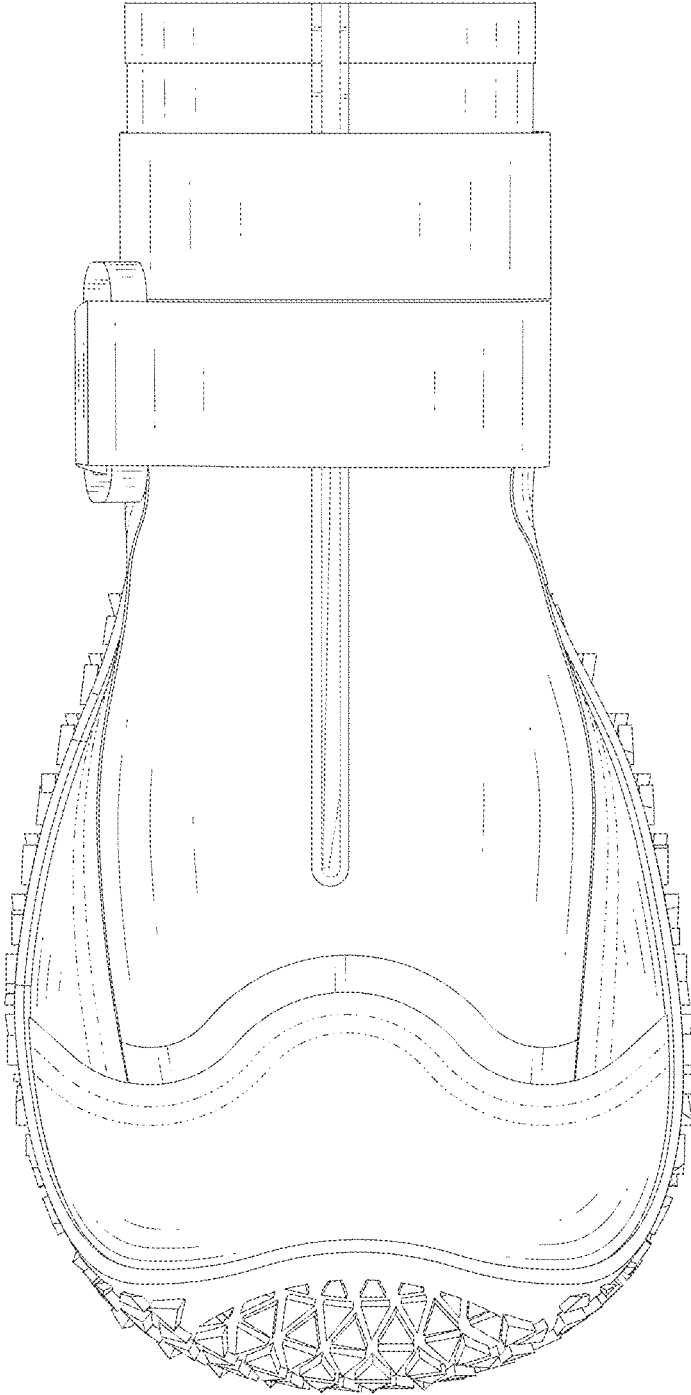


FIG. 3

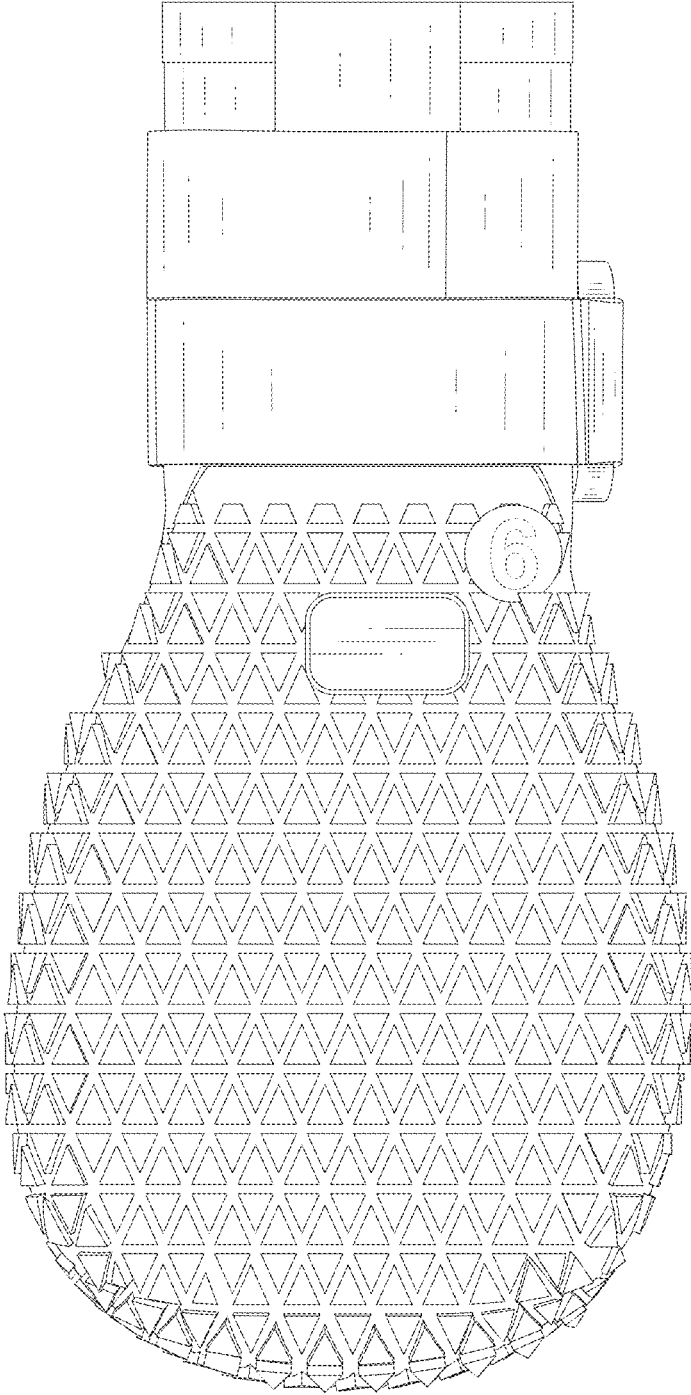


FIG. 4

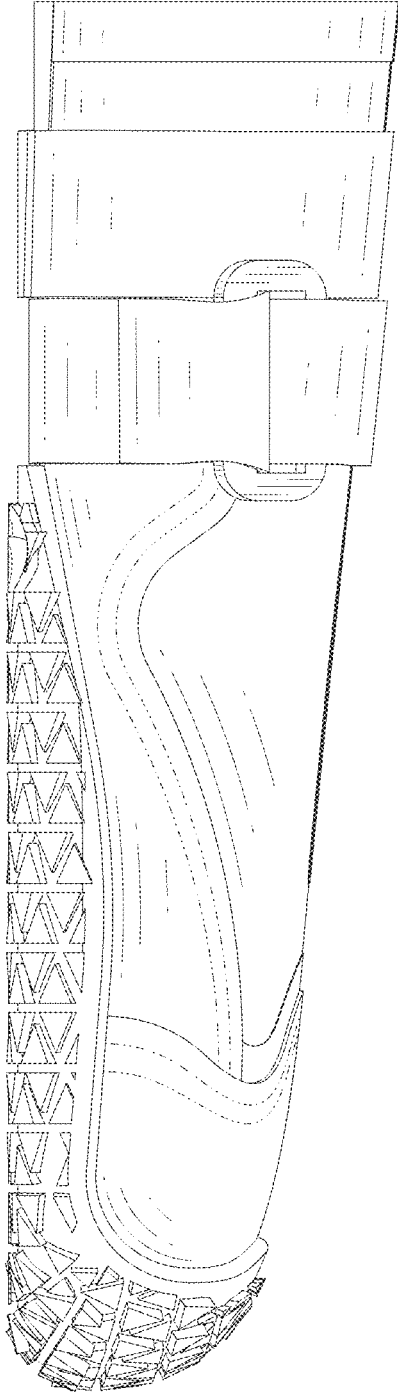


FIG. 5

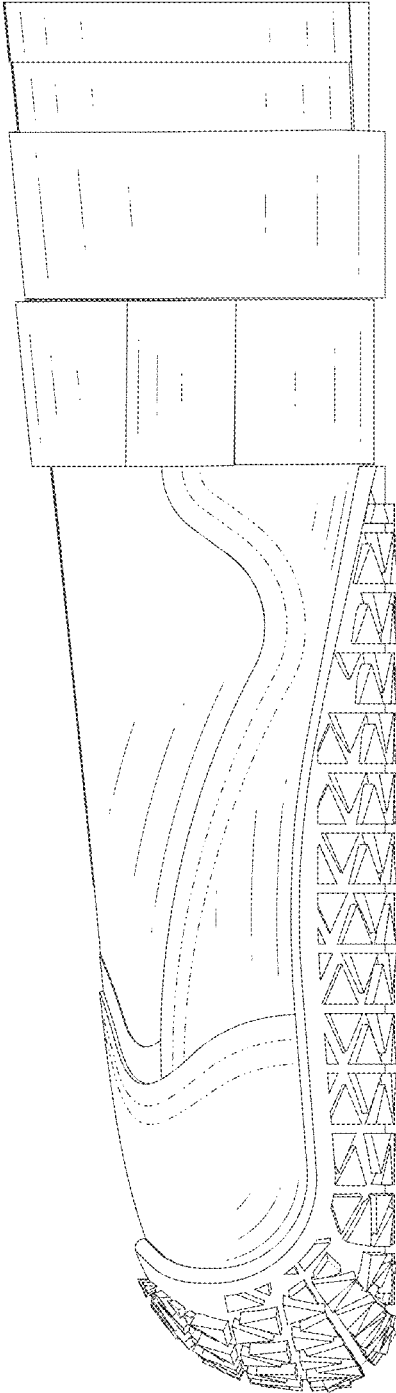


FIG. 6

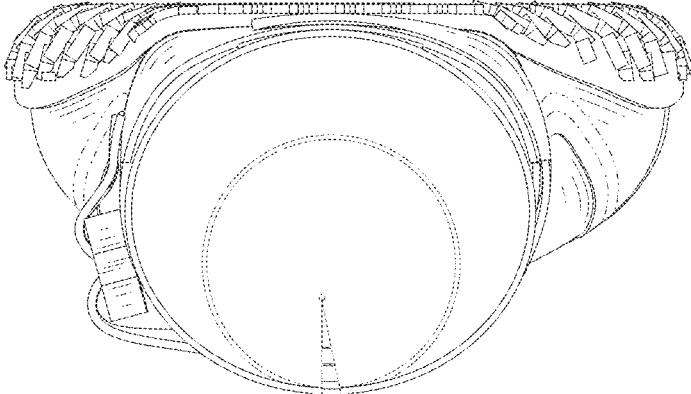


FIG. 7

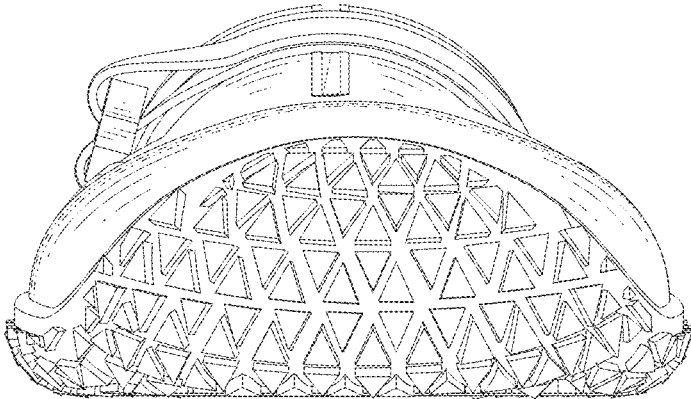


FIG. 8

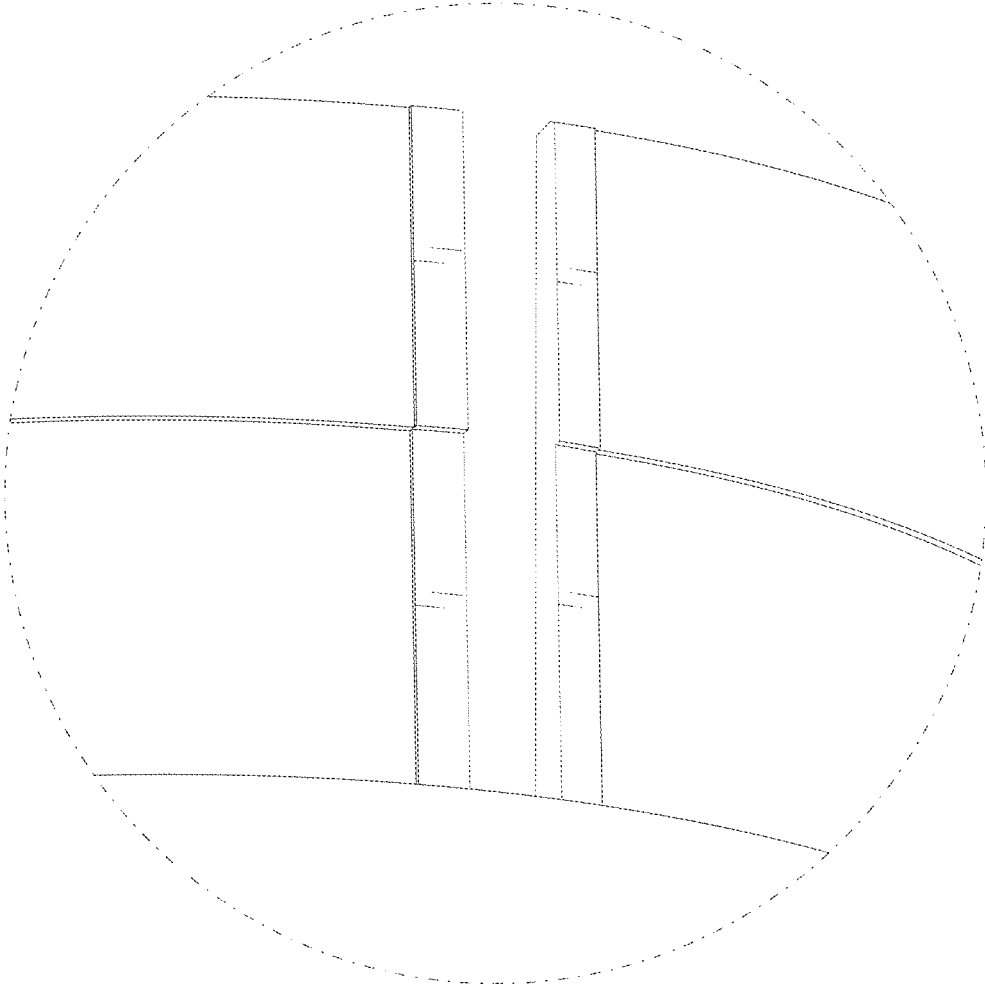


FIG. 9