



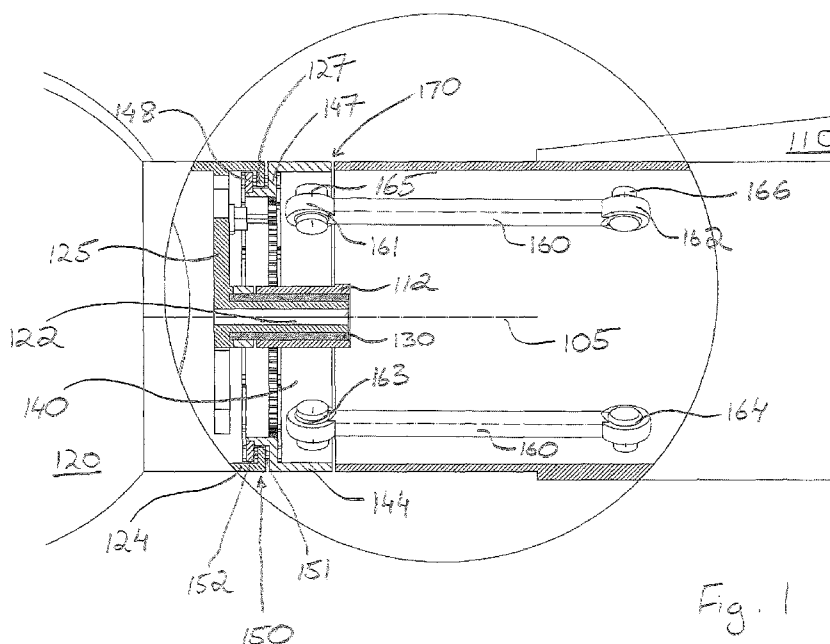
- (51) International Patent Classification:  
F03D 1/06 (2006.01) F03D 7/02 (2006.01)  
F03D 11/00 (2006.01)
- (21) International Application Number:  
PCT/EP2012/057849
- (22) International Filing Date:  
27 April 2012 (27.04.2012)
- (25) Filing Language: English
- (26) Publication Language: English
- (30) Priority Data:  
PCT/EP2011/002112 27 April 2011 (27.04.2011) EP
- (71) Applicant (for all designated States except US): AK-TIEBOLAGET SKF [SE/SE]; S-41550 Göteborg (SE).
- (72) Inventors; and
- (75) Inventors/Applicants (for US only): BLOM, Johannes [NL/NL]; c/o SKF B.V., Kelvinbaan 16, NL-3439MT Nieuwegein (NL). KLEINMEULEMAN, Peter [NL/NL]; Pelikaanstraat 9, NL-5912 TA Venlo (NL).
- (74) Agents: BURO, Sven Peter et al.; SKF B.V., Kelvinbaan 16, NL-3439MT Nieuwegein (NL).
- (81) Designated States (unless otherwise indicated, for every kind of national protection available): AE, AG, AL, AM,

AO, AT, AU, AZ, BA, BB, BG, BH, BR, BW, BY, BZ, CA, CH, CL, CN, CO, CR, CU, CZ, DE, DK, DM, DO, DZ, EC, EE, EG, ES, FI, GB, GD, GE, GH, GM, GT, HN, HR, HU, ID, IL, IN, IS, JP, KE, KG, KM, KN, KP, KR, KZ, LA, LC, LK, LR, LS, LT, LU, LY, MA, MD, ME, MG, MK, MN, MW, MX, MY, MZ, NA, NG, NI, NO, NZ, OM, PE, PG, PH, PL, PT, QA, RO, RS, RU, RW, SC, SD, SE, SG, SK, SL, SM, ST, SV, SY, TH, TJ, TM, TN, TR, TT, TZ, UA, UG, US, UZ, VC, VN, ZA, ZM, ZW.

- (84) Designated States (unless otherwise indicated, for every kind of regional protection available): ARIPO (BW, GH, GM, KE, LR, LS, MW, MZ, NA, RW, SD, SL, SZ, TZ, UG, ZM, ZW), Eurasian (AM, AZ, BY, KG, KZ, RU, TJ, TM), European (AL, AT, BE, BG, CH, CY, CZ, DE, DK, EE, ES, FI, FR, GB, GR, HR, HU, IE, IS, IT, LT, LU, LV, MC, MK, MT, NL, NO, PL, PT, RO, RS, SE, SI, SK, SM, TR), OAPI (BF, BJ, CF, CG, CI, CM, GA, GN, GQ, GW, ML, MR, NE, SN, TD, TG).

- Published:
- with international search report (Art. 21(3))
- before the expiration of the time limit for amending the claims and to be republished in the event of receipt of amendments (Rule 48.2(h))
- (88) Date of publication of the international search report:  
4 April 2013

(54) Title: ROTATIONAL SUPPORT OF A WIND TURBINE BLADE



(57) Abstract: The invention relates to an assembly for rotational support of a wind turbine blade (110) relative to a wind turbine hub (120). The assembly comprises an intermediate ring (140), axially positioned between the hub and the blade, whereby the blade is rotatably connected to the intermediate ring via a first bearing arrangement, and the intermediate ring (140) is rotatably connected to the hub via a second bearing arrangement. In a first mode of operation, the blade is rotated relative to the intermediate ring and to the hub via the first bearing arrangement (160, 163, 164, 130). In a second mode of operation, the intermediate ring and the blade are rotated relative to the hub via the second bearing arrangement (150, 130).



INTERNATIONAL SEARCH REPORT

International application No  
PCT/EP2012/057849

A. CLASSIFICATION OF SUBJECT MATTER  
INV. F03D1/06 F03D11/00 F03D7/02  
ADD.  
According to International Patent Classification (IPC) or to both national classification and IPC

B. FIELDS SEARCHED  
Minimum documentation searched (classification system followed by classification symbols)  
F03D

Documentation searched other than minimum documentation to the extent that such documents are included in the fields searched

Electronic data base consulted during the international search (name of data base and, where practicable, search terms used)  
EPO-Internal, WPI Data

C. DOCUMENTS CONSIDERED TO BE RELEVANT

Category*	Citation of document, with indication, where appropriate, of the relevant passages	Relevant to claim No.
X	EP 2 253 841 A2 (FUJI HEAVY IND LTD [JP]) 24 November 2010 (2010-11-24) paragraph [0038] - paragraph [0046]; figures 1-5	1,2,9,15
X	US 2003/116970 A1 (WEITKAMP ROLAND [DE] ET AL) 26 June 2003 (2003-06-26) paragraphs [0037], [0038], [0041], [0046] - [0049]; figures 1,4,5	1,2, 9-11,15
X	US 2007/231137 A1 (NITZPON JOACHIM [DE]) 4 October 2007 (2007-10-04) paragraph [0029] - paragraph [0040]; figures	1,2,9, 10,15
	----- -/--	

Further documents are listed in the continuation of Box C.

See patent family annex.

\* Special categories of cited documents :

"A" document defining the general state of the art which is not considered to be of particular relevance

"E" earlier application or patent but published on or after the international filing date

"L" document which may throw doubts on priority claim(s) or which is cited to establish the publication date of another citation or other special reason (as specified)

"O" document referring to an oral disclosure, use, exhibition or other means

"P" document published prior to the international filing date but later than the priority date claimed

"T" later document published after the international filing date or priority date and not in conflict with the application but cited to understand the principle or theory underlying the invention

"X" document of particular relevance; the claimed invention cannot be considered novel or cannot be considered to involve an inventive step when the document is taken alone

"Y" document of particular relevance; the claimed invention cannot be considered to involve an inventive step when the document is combined with one or more other such documents, such combination being obvious to a person skilled in the art

"&" document member of the same patent family

Date of the actual completion of the international search <b>4 February 2013</b>	Date of mailing of the international search report <b>19/02/2013</b>
---	---

Name and mailing address of the ISA/ European Patent Office, P.B. 5818 Patentlaan 2 NL - 2280 HV Rijswijk Tel. (+31-70) 340-2040, Fax: (+31-70) 340-3016	Authorized officer <b>Di Renzo, Raffaele</b>
--	---

## INTERNATIONAL SEARCH REPORT

International application No  
PCT/EP2012/057849

C(Continuation). DOCUMENTS CONSIDERED TO BE RELEVANT		
Category*	Citation of document, with indication, where appropriate, of the relevant passages	Relevant to claim No.
A	WO 2007/112748 A2 (VESTAS WIND SYS AS [DK]; BECH ANTON [DK]; MADDEN GERRY [GB]) 11 October 2007 (2007-10-11) cited in the application the whole document	1-15
A	----- US 2009/148285 A1 (SCHOLTE-WASSINK HARTMUT A [DE]) 11 June 2009 (2009-06-11) paragraph [0014] - paragraph [0021]; figures -----	1-15

# INTERNATIONAL SEARCH REPORT

Information on patent family members

International application No

PCT/EP2012/057849

Patent document cited in search report	Publication date	Patent family member(s)	Publication date	
EP 2253841	A2	24-11-2010	EP 2253841 A2	24-11-2010
			JP 2010270703 A	02-12-2010
			US 2010296932 A1	25-11-2010
-----				
US 2003116970	A1	26-06-2003	AT 513128 T	15-07-2011
			DE 10140793 A1	06-03-2003
			DK 1286048 T3	10-10-2011
			EP 1286048 A1	26-02-2003
			ES 2368209 T3	15-11-2011
			US 2003116970 A1	26-06-2003
-----				
US 2007231137	A1	04-10-2007	AT 520879 T	15-09-2011
			DE 102004046260 A1	06-04-2006
			EP 1794449 A1	13-06-2007
			US 2007231137 A1	04-10-2007
			WO 2006032438 A1	30-03-2006
-----				
WO 2007112748	A2	11-10-2007	CN 101410616 A	15-04-2009
			EP 2002118 A2	17-12-2008
			US 2009022442 A1	22-01-2009
			WO 2007112748 A2	11-10-2007
-----				
US 2009148285	A1	11-06-2009	CN 101451491 A	10-06-2009
			DE 102008037609 A1	10-06-2009
			US 2009148285 A1	11-06-2009
-----				