

(19) World Intellectual Property Organization  
International Bureau



(43) International Publication Date  
28 February 2008 (28.02.2008)

PCT

(10) International Publication Number  
WO 2008/024985 A3

- (51) International Patent Classification:  
*H05B 33/08* (2006.01)    *B60Q 3/02* (2006.01)
- (21) International Application Number:  
PCT/US2007/076779
- (22) International Filing Date: 24 August 2007 (24.08.2007)
- (25) Filing Language: English
- (26) Publication Language: English
- (30) Priority Data:  
60/840,137    25 August 2006 (25.08.2006)    US
- (71) Applicant (for all designated States except US): **JOHNSON CONTROLS TECHNOLOGY COMPANY** [US/US]; 915 East 32nd Street, Holland, Michigan 49423 (US).
- (72) Inventors; and
- (75) Inventors/Applicants (for US only): **KALIS, Matthew, A.** [US/US]; 9485 Jarrod Ave S, Cottage Grove, Minnesota 55016 (US). **BUSSIS, Mark, J.** [US/US]; 5088 64th Avenue, Hudsonville, Michigan 49426 (US).
- (74) Agent: **ZIEBERT, Joseph, N.**; Foley & Lardner LLP, 777 E Wisconsin Avenue, Milwaukee, Wisconsin 53202 (US).
- (81) Designated States (unless otherwise indicated, for every kind of national protection available): AE, AG, AL, AM,

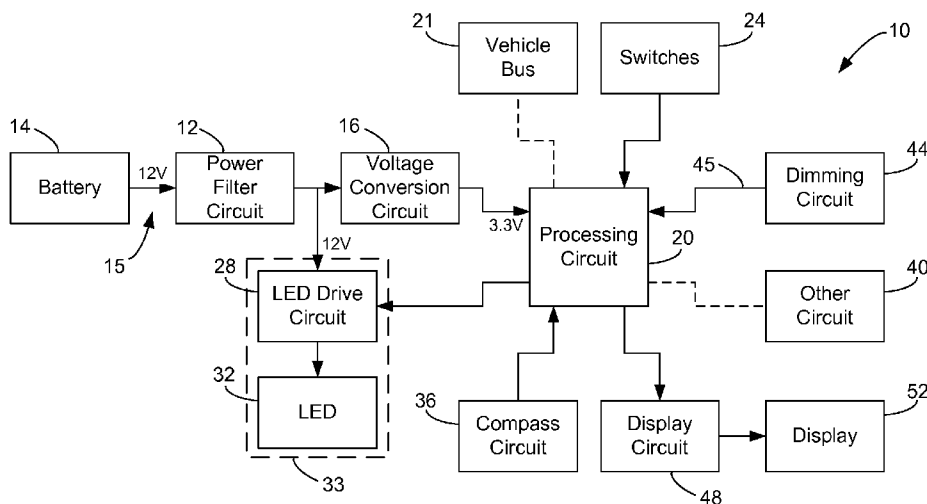
AT, AU, AZ, BA, BB, BG, BH, BR, BW, BY, BZ, CA, CH, CN, CO, CR, CU, CZ, DE, DK, DM, DO, DZ, EC, EE, EG, ES, FI, GB, GD, GE, GH, GM, GT, HN, HR, HU, ID, IL, IN, IS, JP, KE, KG, KM, KN, KP, KR, KZ, LA, LC, LK, LR, LS, LT, LU, LY, MA, MD, ME, MG, MK, MN, MW, MX, MY, MZ, NA, NG, NI, NO, NZ, OM, PG, PH, PL, PT, RO, RS, RU, SC, SD, SE, SG, SK, SL, SM, SV, SY, TJ, TM, TN, TR, TT, TZ, UA, UG, US, UZ, VC, VN, ZA, ZM, ZW.

(84) Designated States (unless otherwise indicated, for every kind of regional protection available): ARIPO (BW, GH, GM, KE, LS, MW, MZ, NA, SD, SL, SZ, TZ, UG, ZM, ZW), Eurasian (AM, AZ, BY, KG, KZ, MD, RU, TJ, TM), European (AT, BE, BG, CH, CY, CZ, DE, DK, EE, ES, FI, FR, GB, GR, HU, IE, IS, IT, LT, LU, LV, MC, MT, NL, PL, PT, RO, SE, SI, SK, TR), OAPI (BF, BJ, CF, CG, CI, CM, GA, GN, GQ, GW, ML, MR, NE, SN, TD, TG).

**Published:**  
— with international search report  
— before the expiration of the time limit for amending the claims and to be republished in the event of receipt of amendments

(88) Date of publication of the international search report:  
5 June 2008

(54) Title: INTEGRATED POWER SOURCE FOR INTERIOR LED LIGHTING



(57) Abstract: An integrated LED lighting system includes an LED lighting system and a non-lighting system. The LED lighting system and the non-lighting system comprise common components. The non-lighting system may include one or more of a garage door opener circuit, a display system, a GPS system, a video screen display, a navigational circuit, a video controller circuit, a communications circuit, a Bluetooth communications circuit, a wireless phone circuit, a memo recorder circuit, a sunroof control circuit, a rain sensor circuit, an electrochromic mirror circuit, a temperature circuit, a trip computer related circuit, a telematics circuit, a hands-free phone circuit, and a compass circuit. The common components may include a processing circuit (e.g. a microprocessor), common power filtering circuits, common switching circuits, and/or any number of other common components. The LED lighting system may include a driver circuit that operates at a first voltage, but is controlled by a processing circuit that operates at a different voltage.

WO 2008/024985 A3

## INTERNATIONAL SEARCH REPORT

International application No

PCT/US2007/076779

<b>A. CLASSIFICATION OF SUBJECT MATTER</b> INV. H05B33/08 B60Q3/02		
According to International Patent Classification (IPC) or to both national classification and IPC		
<b>B. FIELDS SEARCHED</b>		
Minimum documentation searched (classification system followed by classification symbols) B60Q H05B		
Documentation searched other than minimum documentation to the extent that such documents are included in the fields searched		
Electronic data base consulted during the international search (name of data base and, where practical, search terms used) EPO-Internal		
<b>C. DOCUMENTS CONSIDERED TO BE RELEVANT</b>		
Category*	Citation of document, with indication, where appropriate, of the relevant passages	Relevant to claim No.
X	JP 2005 138788 A (TOYOTA MOTOR CORP) 2 June 2005 (2005-06-02) pages 1-10; figures 1,2,4	1-25
X	US 6 351 072 B1 (MUTOH MASANOBU [JP] ET AL) 26 February 2002 (2002-02-26) columns 1-4; figure 1	1, 15, 21
X	DE 103 55 609 B3 (SIEMENS AG [DE]) 28 July 2005 (2005-07-28) paragraphs [0009] - [0025]; figure 3	1, 21
<input type="checkbox"/> Further documents are listed in the continuation of Box C.		
<input checked="" type="checkbox"/> See patent family annex.		
* Special categories of cited documents :		
*A* document defining the general state of the art which is not considered to be of particular relevance		*T* later document published after the international filing date or priority date and not in conflict with the application but cited to understand the principle or theory underlying the invention
*E* earlier document but published on or after the international filing date		*X* document of particular relevance; the claimed invention cannot be considered novel or cannot be considered to involve an inventive step when the document is taken alone
*L* document which may throw doubts on priority claim(s) or which is cited to establish the publication date of another citation or other special reason (as specified)		*Y* document of particular relevance; the claimed invention cannot be considered to involve an inventive step when the document is combined with one or more other such documents, such combination being obvious to a person skilled in the art.
*O* document referring to an oral disclosure, use, exhibition or other means		*&* document member of the same patent family
*P* document published prior to the international filing date but later than the priority date claimed		
Date of the actual completion of the international search 9 April 2008		Date of mailing of the international search report 16/04/2008
Name and mailing address of the ISA/ European Patent Office, P.B. 5818 Patentlaan 2 NL - 2280 HV Rijswijk Tel. (+31-70) 340-2040, Tx. 31 651 epo nl, Fax: (+31-70) 340-3016		Authorized officer Morrish, Ian

# INTERNATIONAL SEARCH REPORT

Information on patent family members

International application No

PCT/US2007/076779

Patent document cited in search report	Publication date	Patent family member(s)	Publication date
JP 2005138788	A	02-06-2005	NONE
US 6351072	B1	26-02-2002	JP 2001097113 A 10-04-2001
DE 10355609	B3	28-07-2005	NONE