



US00D755372S

(12) **United States Design Patent**  
**Masumoto**

(10) **Patent No.:** **US D755,372 S**

(45) **Date of Patent:** **\*\* May 3, 2016**

- (54) **NEEDLELESS SYRINGE**
- (71) Applicant: **DAICEL CORPORATION**, Osaka (JP)
- (72) Inventor: **Takaya Masumoto**, Hyogo (JP)
- (73) Assignee: **Daicel Corporation**, Osaka (JP)
- (\*\*) Term: **14 Years**
- (21) Appl. No.: **29/493,577**
- (22) Filed: **Jun. 11, 2014**
- (30) **Foreign Application Priority Data**

Dec. 12, 2013 (JP) ..... 2013-029192

(51) **LOC (10) Cl.** ..... **24-01**

(52) **U.S. Cl.**  
USPC ..... **D24/130**

(58) **Field of Classification Search**  
USPC ..... D24/133, 186; 606/181, 185; 604/264,  
604/272, 115, 232, 187, 158, 164.08, 192,  
604/263, 163, 181, 184, 198, 227; 600/101,  
600/139, 143; 128/200.24, 207.14, 207.15  
CPC ..... A61M 5/2033; A61M 2005/206;  
A61M 5/326; A61M 5/3202; A61M 2005/208  
See application file for complete search history.

(56) **References Cited**

**U.S. PATENT DOCUMENTS**

5,503,628	A *	4/1996	Fetters et al.	604/72
D399,951	S *	10/1998	Drach	D24/112
D405,174	S *	2/1999	Rogler	D24/107
D428,493	S *	7/2000	Radwanski et al.	D24/186
6,192,891	B1 *	2/2001	Gravel et al.	604/187
7,081,108	B2 *	7/2006	Langley et al.	604/232
D526,010	S *	8/2006	Otis et al.	D18/56
7,182,749	B2 *	2/2007	Heiniger et al.	604/131
D540,379	S *	4/2007	Hattori et al.	D18/56

7,708,717	B2 *	5/2010	Estes et al.	604/151
8,147,460	B2 *	4/2012	Etter et al.	604/181
8,206,351	B2 *	6/2012	Sugimoto et al.	604/151
D674,479	S *	1/2013	Merchant et al.	D24/108
D687,141	S *	7/2013	Schneider et al.	D24/108
8,597,245	B2 *	12/2013	Jeter et al.	604/135
8,631,789	B2 *	1/2014	Virr et al.	128/204.18
8,708,971	B2 *	4/2014	Segal	604/209
D720,070	S *	12/2014	Khalaj	D24/144
8,926,568	B2 *	1/2015	Holmqvist	604/207
8,961,467	B2 *	2/2015	Lanigan et al.	604/155
8,998,842	B2 *	4/2015	Lauchard et al.	604/68
2004/0215224	A1 *	10/2004	Sakata et al.	606/181
2006/0247670	A1 *	11/2006	LeVaughn et al.	606/181
2011/0028906	A1 *	2/2011	Baba et al.	604/187
2014/0188073	A1 *	7/2014	Cabiri et al.	604/506
2015/0080800	A1 *	3/2015	Cronenberg	604/156

\* cited by examiner

*Primary Examiner* — David Muller

*Assistant Examiner* — Nathan Johnston

(74) *Attorney, Agent, or Firm* — Michael Best & Friedrich LLP

(57) **CLAIM**

The ornamental design for a needleless syringe, as shown and described.

**DESCRIPTION**

FIG. 1 is a front, top, left perspective view of a needleless syringe showing my new design;  
 FIG. 2 is a rear, top, right perspective view thereof;  
 FIG. 3 is a front elevational view thereof;  
 FIG. 4 is a rear elevational view thereof;  
 FIG. 5 is a right side elevational view thereof;  
 FIG. 6 is a left side elevational view thereof;  
 FIG. 7 is a top plan view thereof; and,  
 FIG. 8 is a bottom plan view thereof.  
 The portions shown as broken lines are unclaimed portions of the needleless syringe and form no part of the claimed design.

**1 Claim, 6 Drawing Sheets**

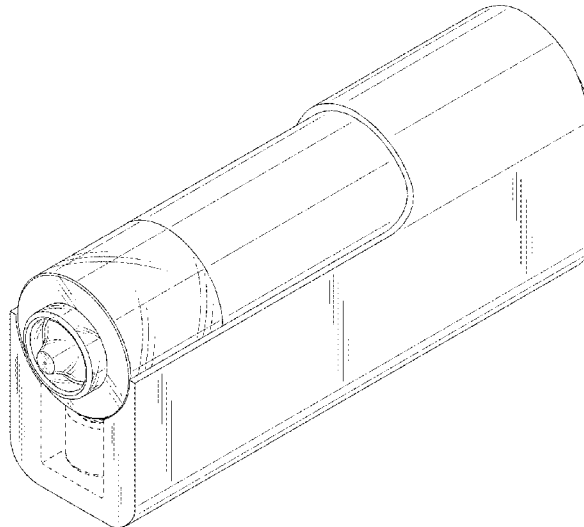


FIG.1

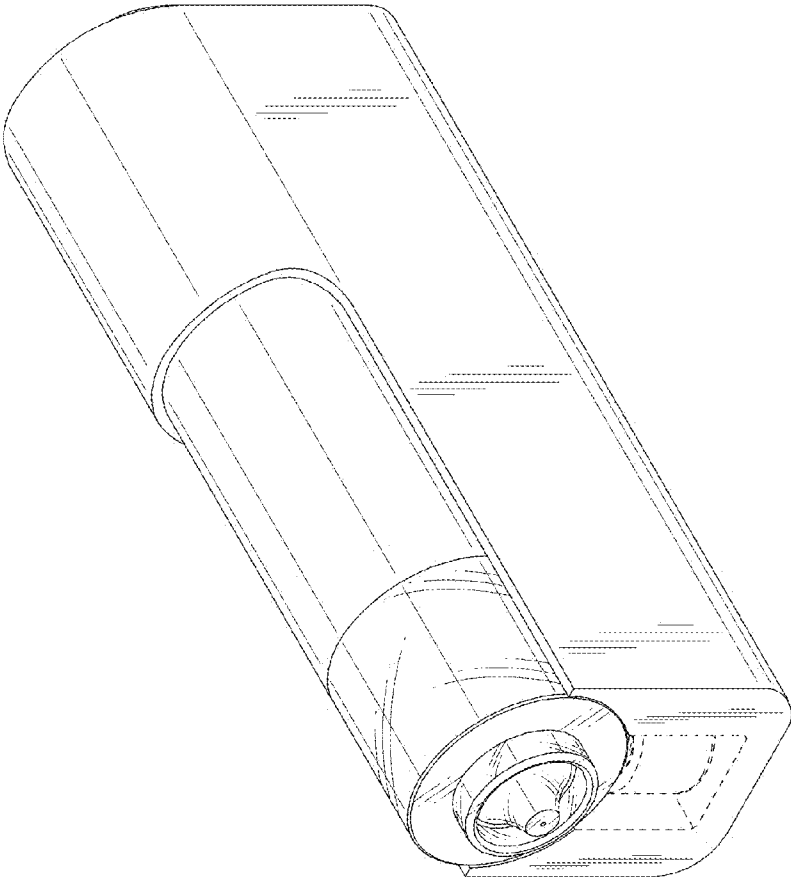


FIG. 2

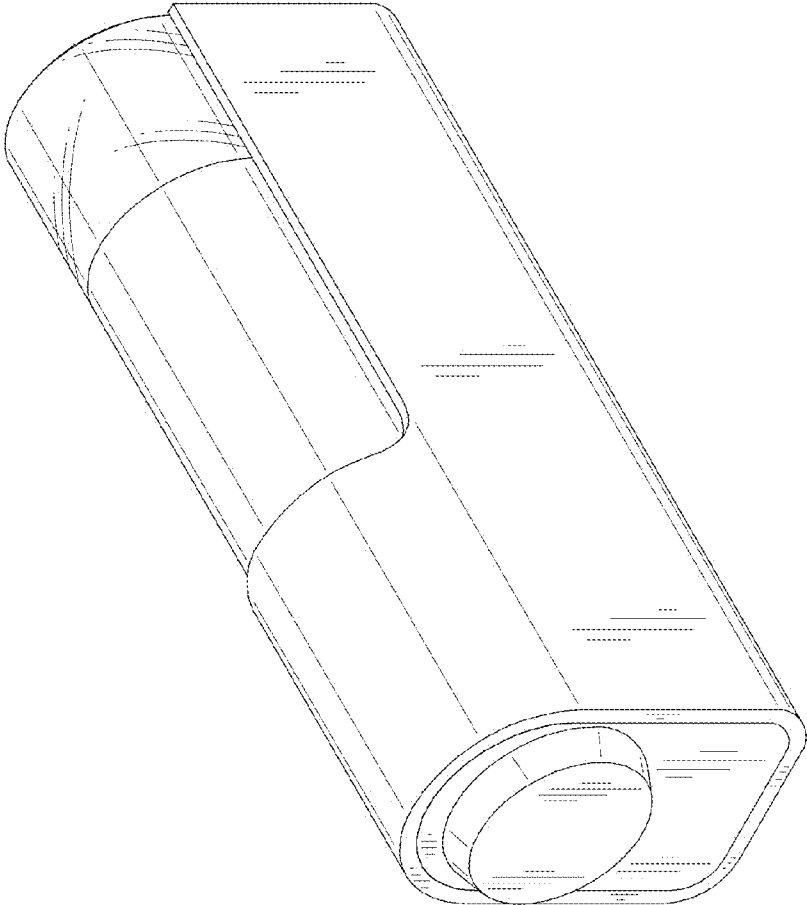


FIG.3

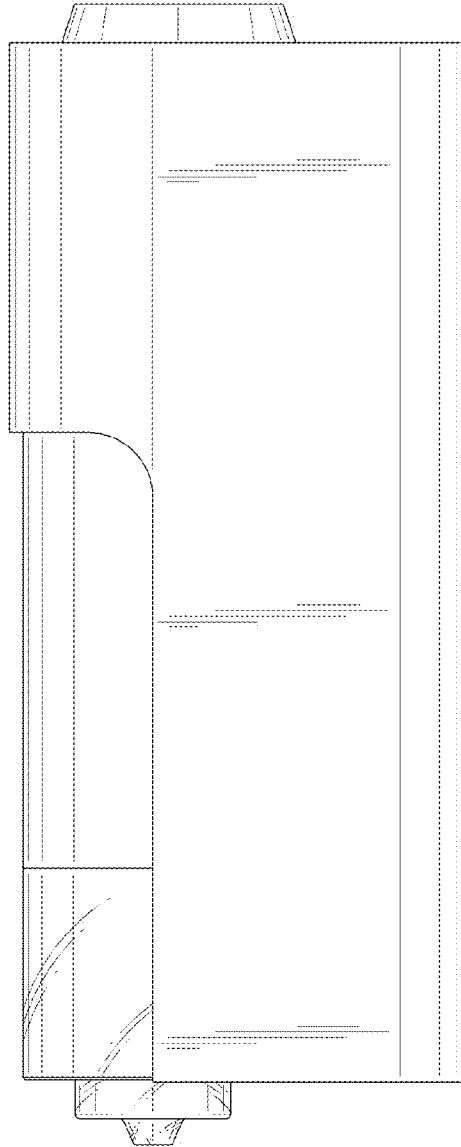


FIG.4

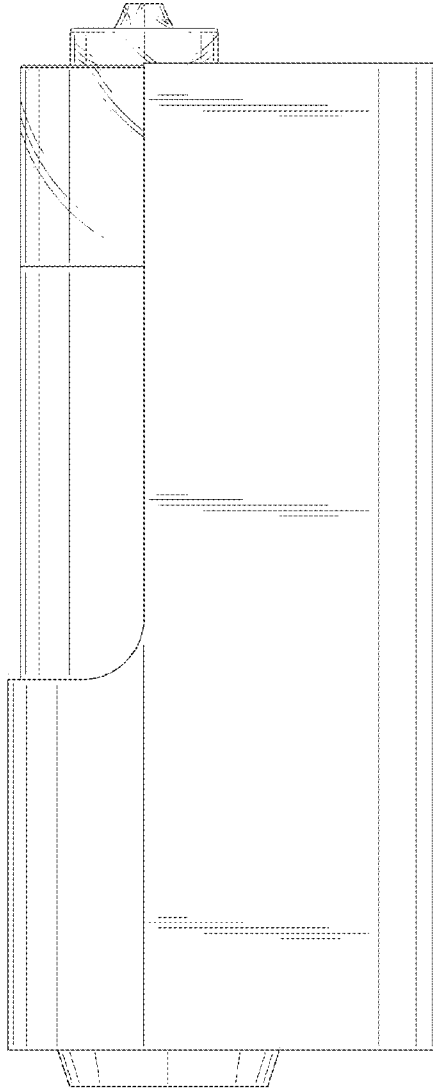


FIG.5

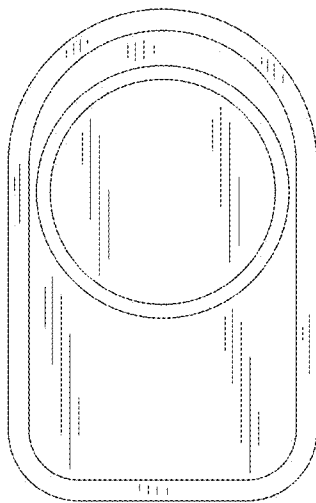


FIG.6

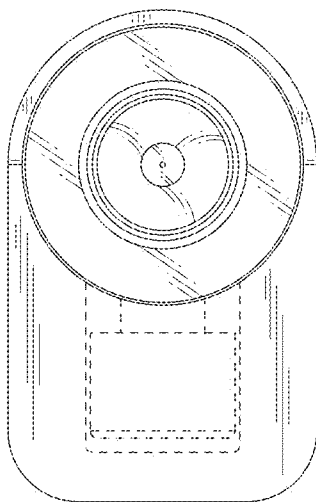


FIG.7

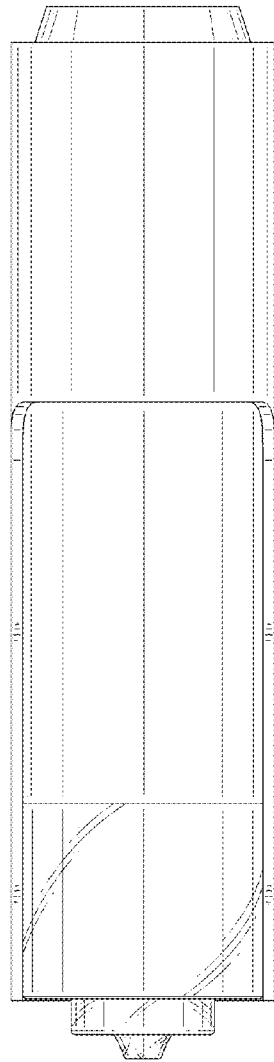


FIG.8

