



US00D495939S1

(12) **United States Design Patent**
Ping

(10) **Patent No.:** **US D495,939 S**

(45) **Date of Patent:** **** Sep. 14, 2004**

(54) **UTILITY KNIFE**

(75) Inventor: **Qiu Jian Ping**, Hangzhou (CN)

(73) Assignee: **Great Neck Saw Manufacturers, Inc.**,
Mineola, NY (US)

(**) Term: **14 Years**

(21) Appl. No.: **29/181,557**

(22) Filed: **May 13, 2003**

(30) **Foreign Application Priority Data**

Dec. 10, 2002 (CN) 02 2 88379

(51) **LOC (7) Cl.** **08-03**

(52) **U.S. Cl.** **D8/99**

(58) **Field of Search** D8/98, 99, 100,
D8/105, 107; 30/155, 156, 157, 158, 159,
160, 161, 162, 330

(56) **References Cited**

U.S. PATENT DOCUMENTS

97,154 A	11/1869	Barnard	
493,075 A	3/1893	Evertz	
515,045 A	2/1894	Bultzingslowen	
584,077 A	6/1897	Jackson	
596,096 A	12/1897	Watts	
988,068 A	3/1911	Beardsley	
1,362,142 A	12/1920	Rohrer	
1,444,324 A	2/1923	Brooks	
1,706,251 A	3/1929	Perry	
2,134,973 A	11/1938	Harwell	
2,265,775 A	12/1941	McNamara	
2,284,128 A	5/1942	Bush	
2,523,575 A	9/1950	Kassel	
2,914,850 A	12/1959	Kuhnl	
2,980,996 A	4/1961	Beran	
3,306,297 A	2/1967	Voorhees	
3,568,315 A	3/1971	Smith	
4,017,969 A	4/1977	Stonebraker	30/156
4,040,181 A	8/1977	Johnson	30/161
4,261,104 A	4/1981	Cuscovitch	30/330
4,347,665 A	9/1982	Glesser	30/161

4,442,600 A	4/1984	Felix-Salichow	30/161
4,570,341 A	2/1986	Konneker	30/161
4,604,805 A	8/1986	Krieger	30/330
4,669,188 A	6/1987	Evrell	30/161
4,719,700 A	1/1988	Taylor, Jr.	30/158
4,805,303 A	2/1989	Gibbs	30/161
4,811,486 A	3/1989	Cunningham	30/161

(List continued on next page.)

Primary Examiner—Philip S. Hyder

(74) *Attorney, Agent, or Firm*—Joseph J. Previto

(57) **CLAIM**

The ornamental design for a utility knife, as shown and described.

DESCRIPTION

FIG. 1 is a perspective view of my new design showing it in an unfolded position.

FIG. 2 is a top view thereof.

FIG. 3 is a side view thereof.

FIG. 4 is a front view thereof.

FIG. 5 is a rear view thereof.

FIG. 6 is a bottom view thereof.

FIG. 7 is another side view thereof.

FIG. 8 is a side view thereof showing it in a partially folded position.

FIG. 9 is a side view thereof showing it in a folded position.

FIG. 10 is a perspective view showing another embodiment of the present invention in an unfolded position.

FIG. 11 is a top view thereof.

FIG. 12 is a side view thereof.

FIG. 13 is a front view thereof.

FIG. 14 is a rear view thereof.

FIG. 15 is a bottom view thereof.

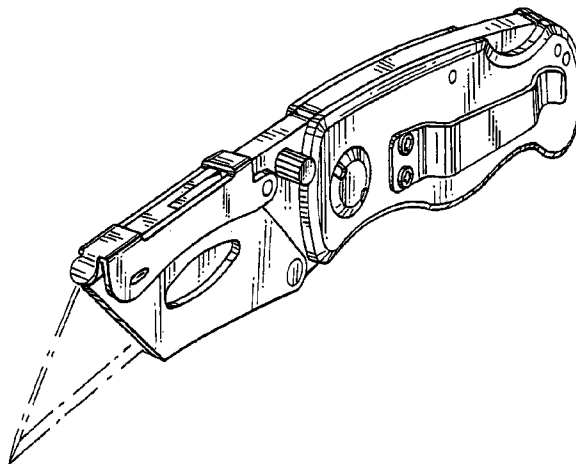
FIG. 16 is another side view thereof.

FIG. 17 is a side view thereof showing it in a partially folded position; and,

FIG. 18 is a side view thereof showing it in a folded position.

The broken line showings of the blade are for illustrative purposes only and form no part of the claimed design.

1 Claim, 8 Drawing Sheets



US D495,939 S

Page 2

U.S. PATENT DOCUMENTS

4,936,014 A	6/1990	Shaanan et al.	30/162	5,909,930 A	6/1999	Ragland	30/125
5,044,079 A	9/1991	Gibbs	30/160	D414,671 S	* 10/1999	Halligan	D8/99
5,095,624 A	3/1992	Ennis	30/161	5,966,816 A	10/1999	Roberson	30/156
5,125,157 A	6/1992	Howard	30/123	5,979,059 A	11/1999	Leatherman	30/161
5,400,509 A	3/1995	Collins	30/161	D422,871 S	* 4/2000	Terzuola	D8/99
D367,599 S	* 3/1996	Sakai	D8/99	6,170,104 B1	1/2001	Seber et al.	7/128
5,511,310 A	4/1996	Sessions	30/161	6,170,158 B1	1/2001	Daily	30/161
D373,062 S	* 8/1996	Neron	D8/99	6,256,887 B1	7/2001	Osborne	30/161
D378,489 S	* 3/1997	Poehlmann	D8/99	6,256,888 B1	7/2001	Shuen	30/161
5,769,094 A	6/1998	Jenkins, Jr.	30/161	6,263,581 B1	7/2001	Forte	30/332
5,826,340 A	10/1998	Hull	30/161	6,354,007 B1	3/2002	Scarla	30/156
D410,187 S	* 5/1999	Balolia	D8/99	6,370,778 B1	4/2002	Conable	30/161
D411,091 S	* 6/1999	Halligan	D8/99	6,487,740 B2	12/2002	Seber	7/128

* cited by examiner

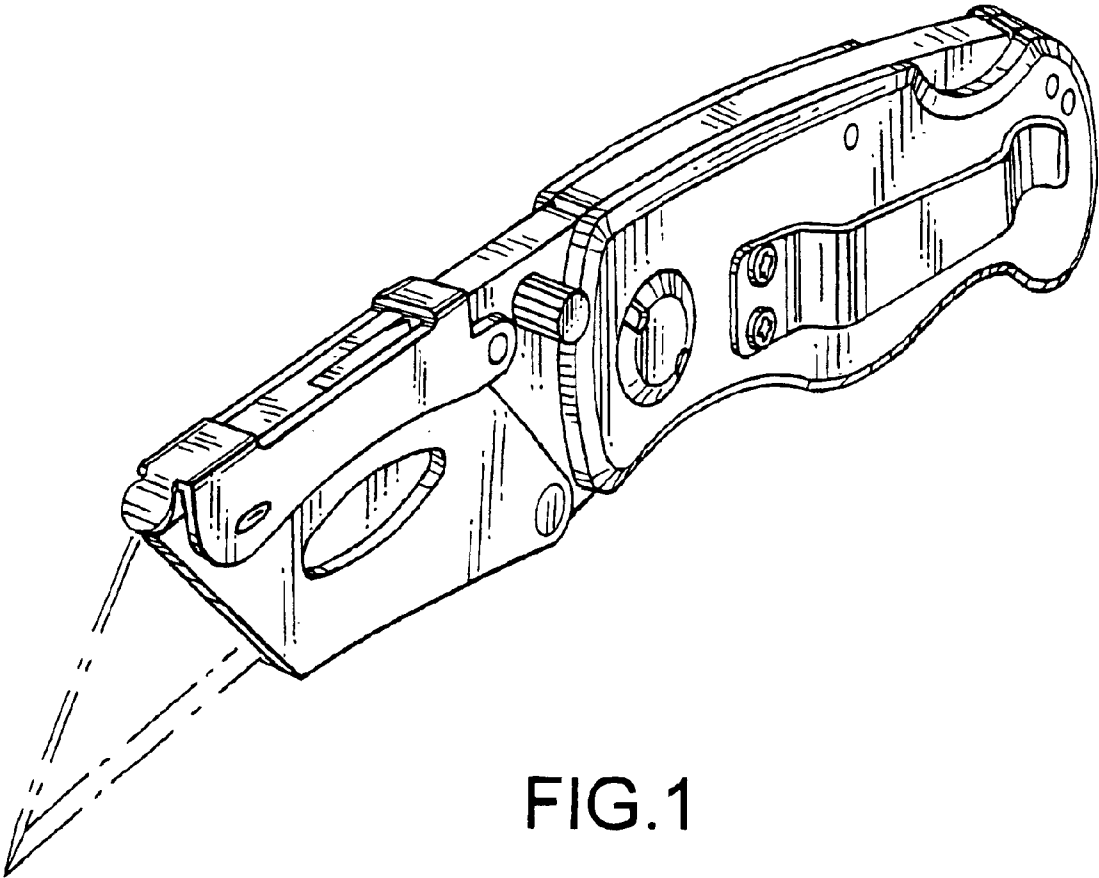


FIG.1

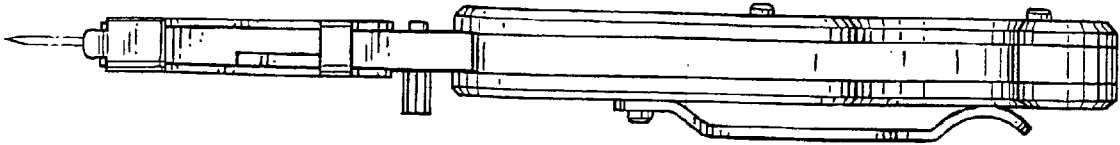


FIG. 2

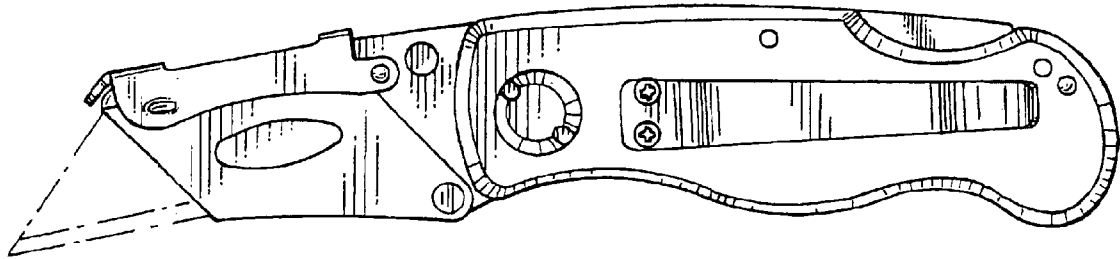


FIG. 3

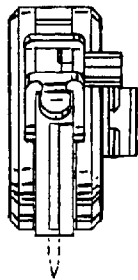


FIG. 4

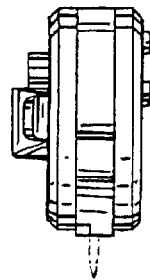


FIG. 5

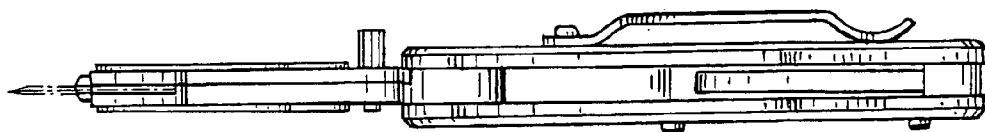


FIG. 6

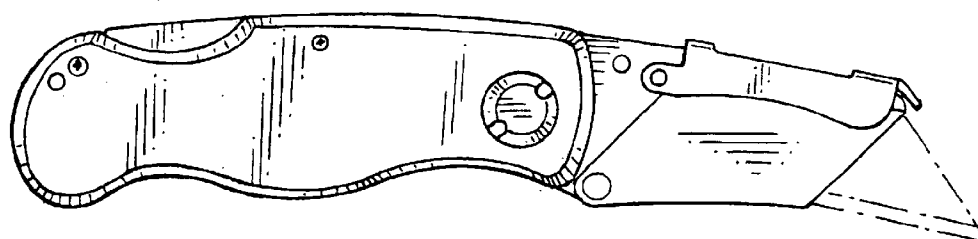


FIG. 7

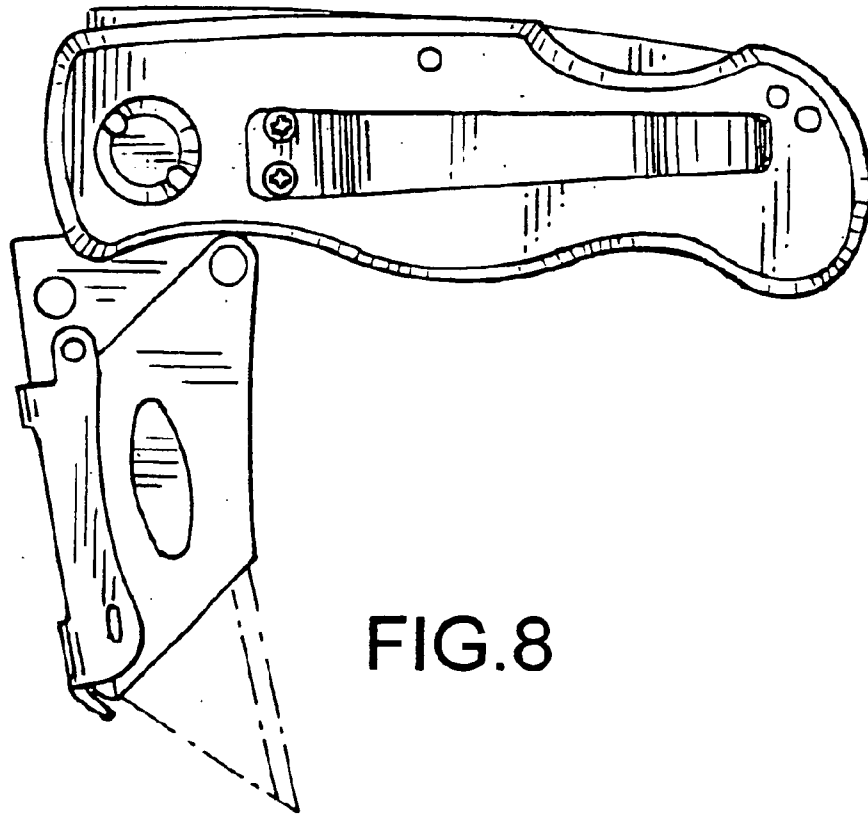


FIG. 8

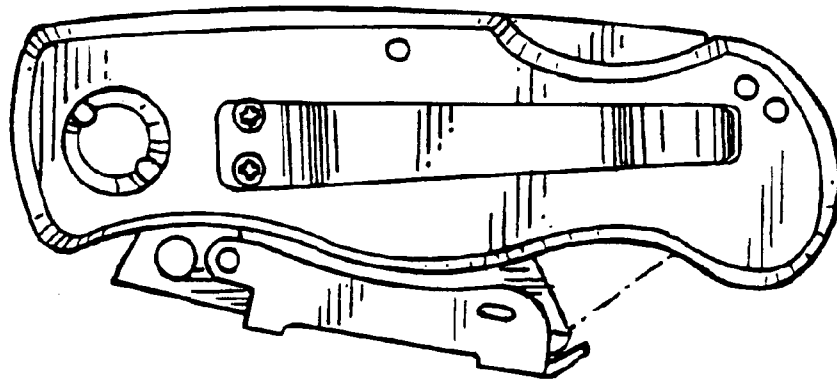


FIG. 9

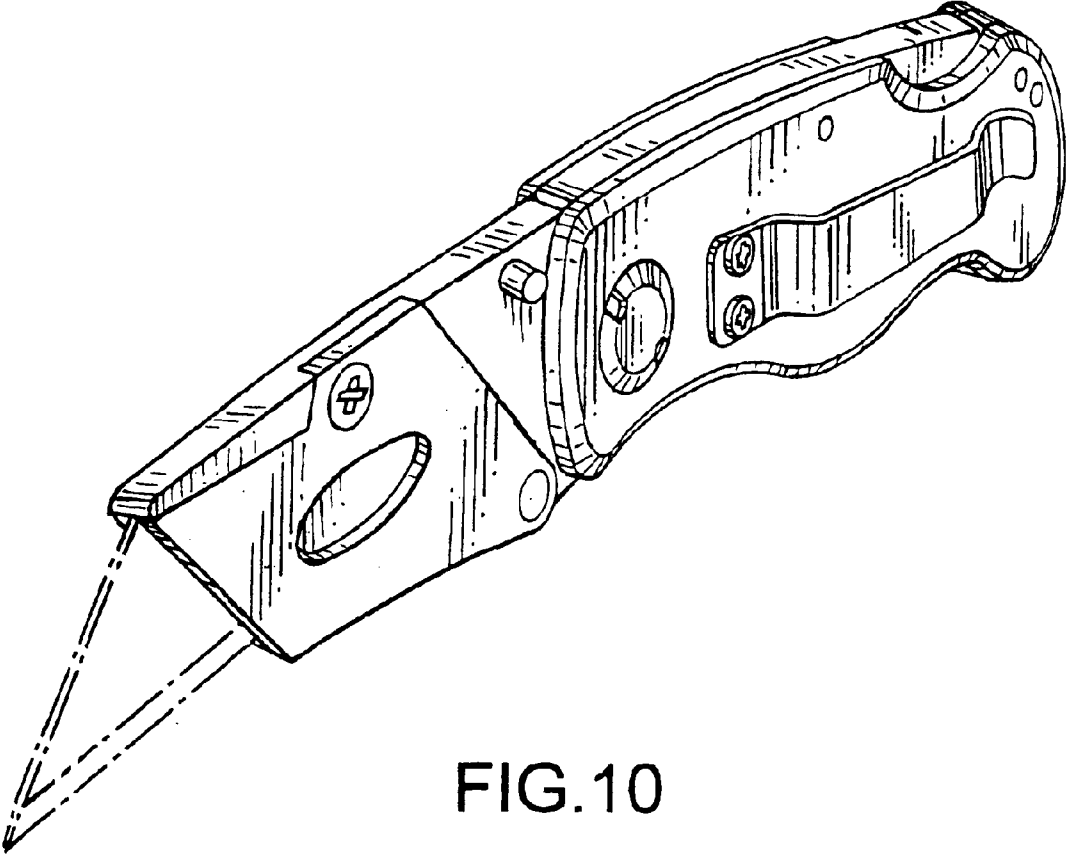


FIG.10

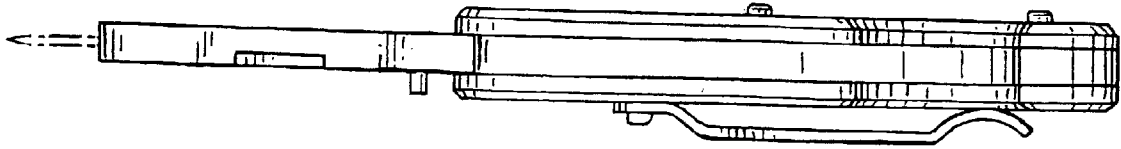


FIG. 11

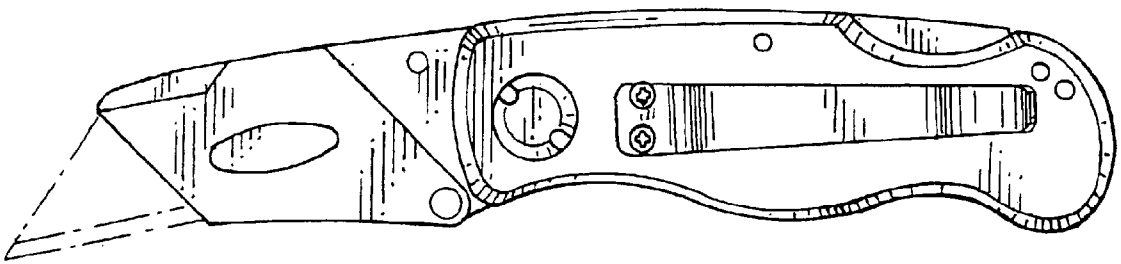


FIG. 12

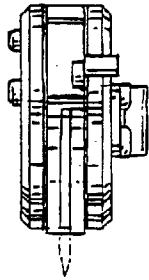


FIG. 13

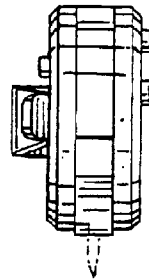


FIG. 14

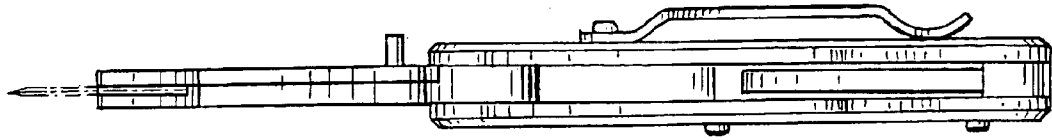


FIG.15

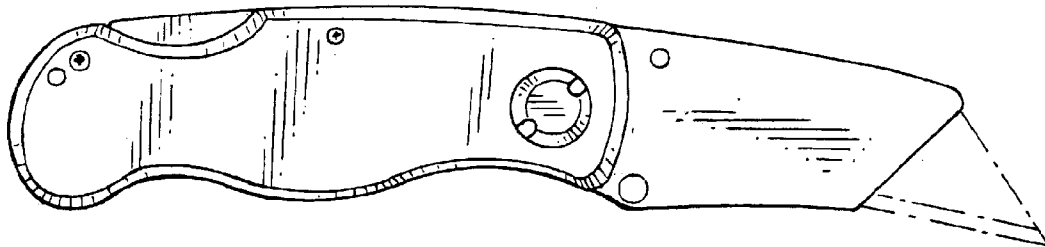


FIG.16

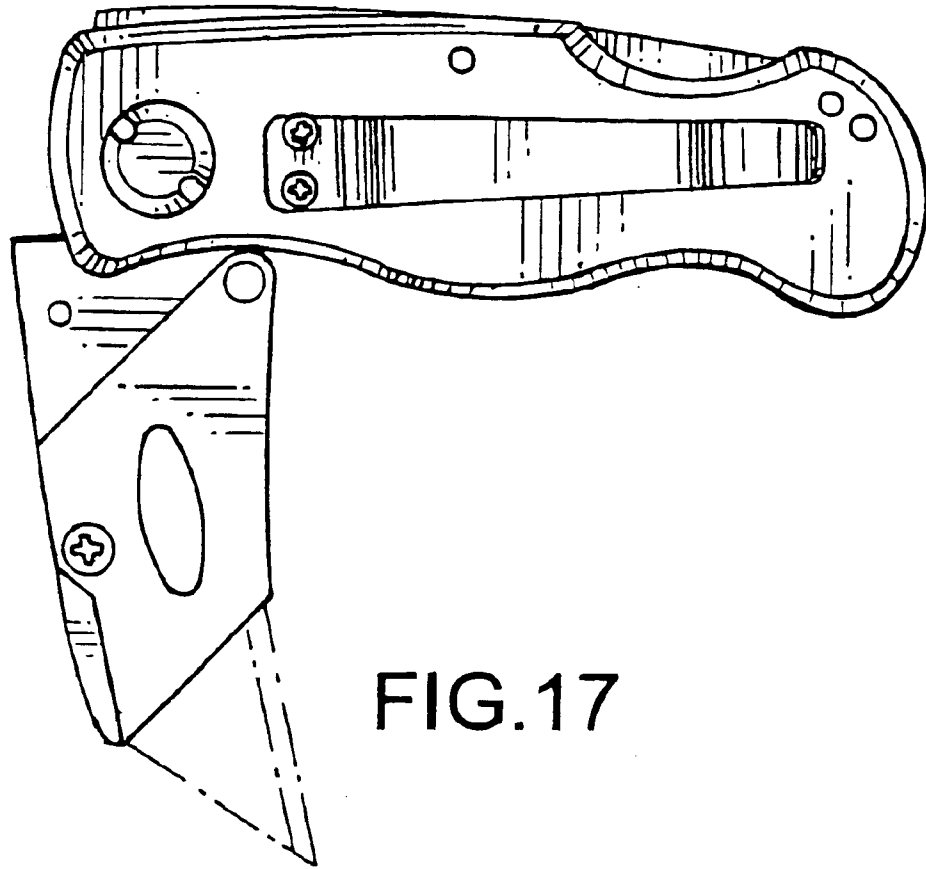


FIG. 17

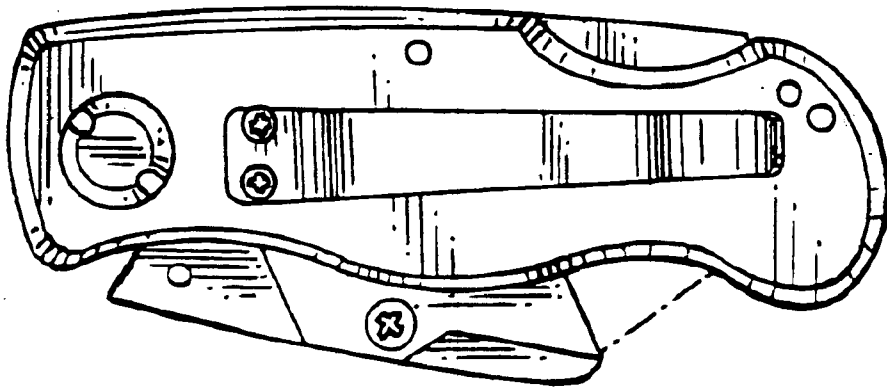


FIG. 18