



US00D641738S

(12) **United States Design Patent**
Perez

(10) **Patent No.:** **US D641,738 S**

(45) **Date of Patent:** **** Jul. 19, 2011**

(54) **HEADSET**

(75) Inventor: **Jose M. Perez**, Helsinki (FI)

(73) Assignee: **Nokia Corporation**, Espoo (FI)

(**) Term: **14 Years**

(21) Appl. No.: **29/369,249**

(22) Filed: **Sep. 3, 2010**

(51) **LOC (9) Cl.** **14-01**

(52) **U.S. Cl.** **D14/223**

(58) **Field of Classification Search** D14/205,
D14/206, 223; 181/129, 130, 135; 379/430,
379/430.01, 430.02, 430.03, 430.04; 381/380,
381/381; 455/90.3, 575.1
See application file for complete search history.

D523,846 S *	6/2006	Lee	D14/205
D555,152 S *	11/2007	Wang	D14/223
D557,689 S *	12/2007	Huang	D14/223
D567,217 S *	4/2008	Kamo et al.	D14/205
D568,291 S *	5/2008	Andre et al.	D14/205
D575,276 S	8/2008	Bradford et al.	
D583,804 S *	12/2008	Mahler et al.	D14/223
D587,677 S *	3/2009	Andre et al.	D14/205
D590,813 S	4/2009	Bradford et al.	
D598,894 S *	8/2009	Masuda et al.	D14/205
D605,636 S *	12/2009	Yang	D14/223
D608,766 S	1/2010	Brickstad	
D614,172 S *	4/2010	Brennwald	D14/223

* cited by examiner

Primary Examiner — Paula Greene

(74) *Attorney, Agent, or Firm* — Banner & Witcoff, Ltd.

(57) **CLAIM**

The ornamental design for a headset, as shown and described.

(56) **References Cited**

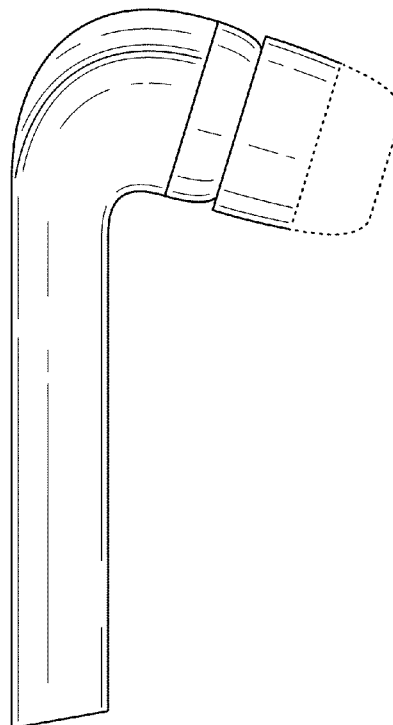
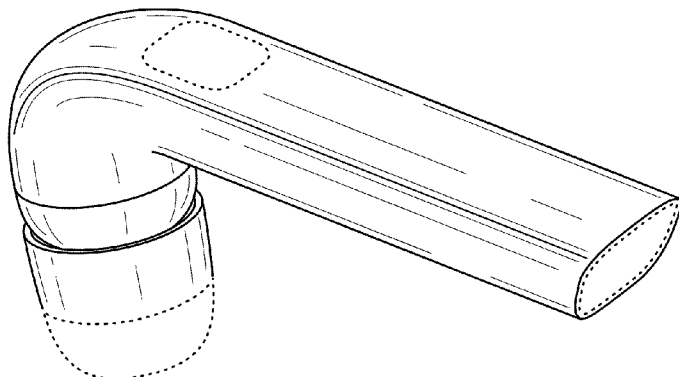
U.S. PATENT DOCUMENTS

4,118,606 A *	10/1978	Larkin	379/430
4,965,838 A *	10/1990	Kamon et al.	381/380
D337,118 S *	7/1993	Seikita	D14/223
D337,589 S *	7/1993	Wada	D14/223
D431,553 S *	10/2000	Suzuki	D14/223
D457,514 S *	5/2002	Marion et al.	D14/223
6,411,722 B1 *	6/2002	Wolf	381/371
D463,789 S *	10/2002	DeKalb et al.	D14/223
D463,790 S *	10/2002	Beraut et al.	D14/223
6,668,064 B1 *	12/2003	Lin	381/380
D485,548 S *	1/2004	Obata	D14/223
D487,077 S *	2/2004	Obata	D14/223
6,731,772 B1 *	5/2004	Byun	381/380
D499,397 S *	12/2004	Hlas et al.	D14/223

DESCRIPTION

FIG. 1 is a perspective view of a headset showing my new design;
FIG. 2 is a front view thereof;
FIG. 3 is a rear view thereof;
FIG. 4 is a right side view thereof;
FIG. 5 is a left side view thereof;
FIG. 6 is a top view thereof; and,
FIG. 7 is a bottom view thereof.
The broken line showing of the environmental structure of the headset is for illustrative purposes only and forms no part of the claimed design.

1 Claim, 4 Drawing Sheets



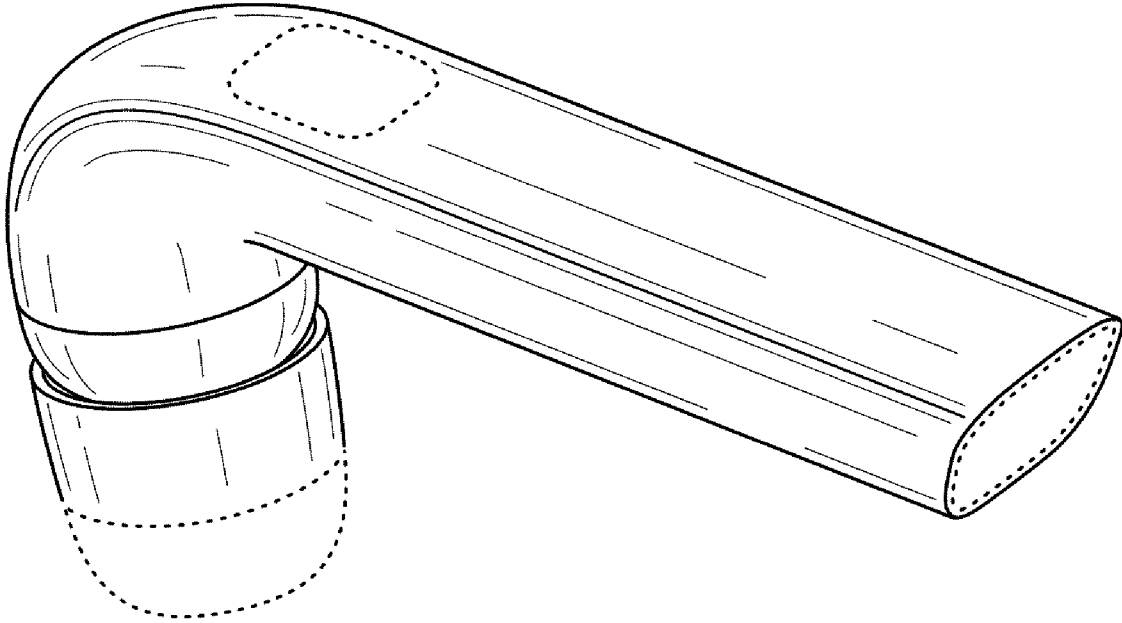


FIG. 1

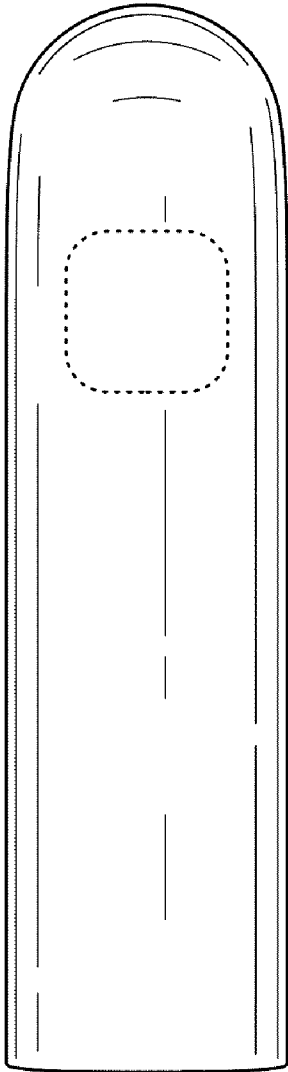


FIG. 2

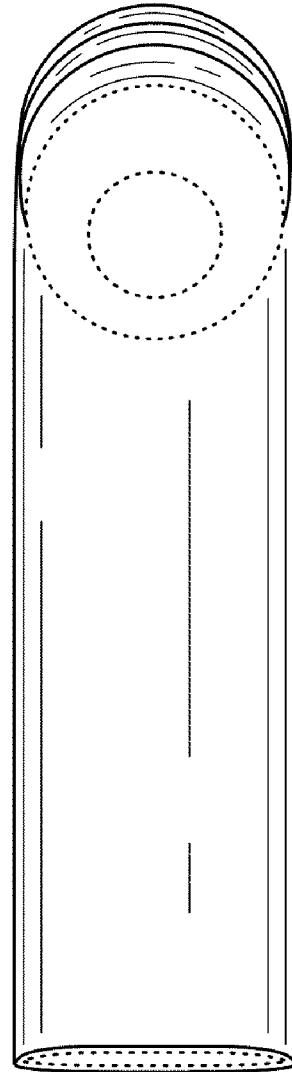


FIG. 3

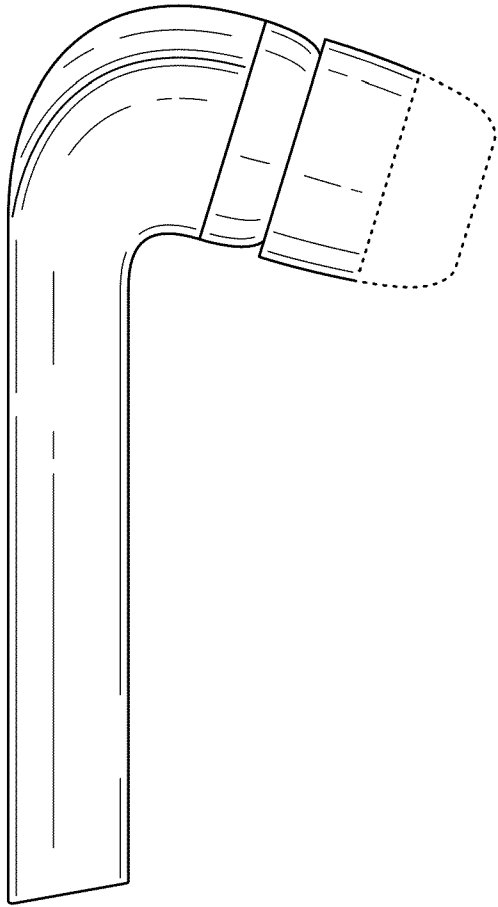


FIG. 4

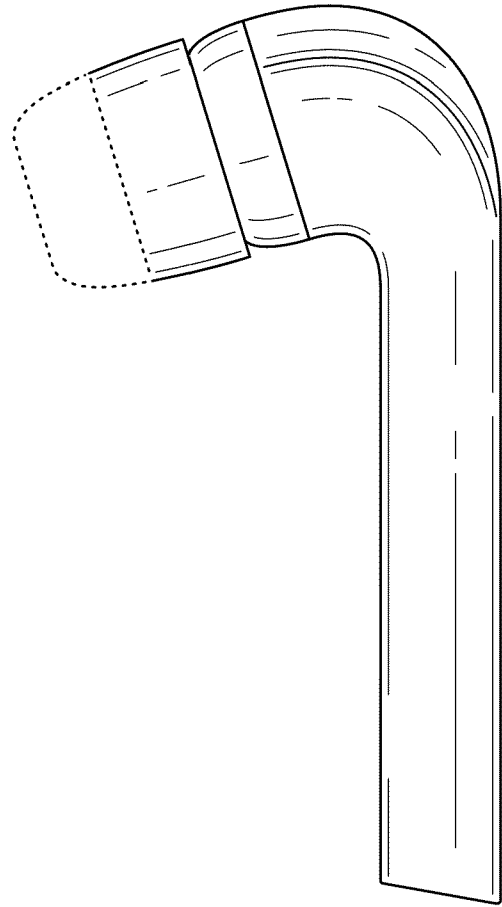


FIG. 5

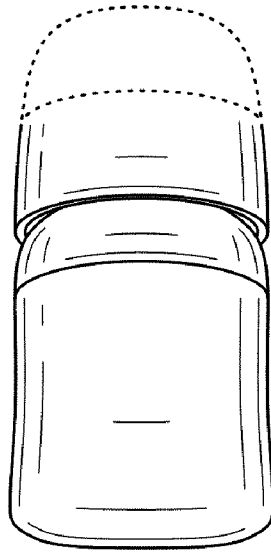


FIG. 6

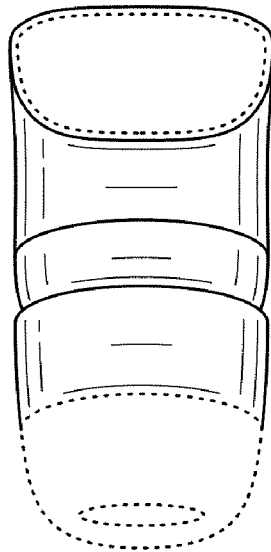


FIG. 7