



US0D1069552S

(12) **United States Design Patent**  
**Zheng**

(10) **Patent No.:** **US D1,069,552 S**

(45) **Date of Patent:** **\*\* Apr. 8, 2025**

(54) **REFRIGERATOR MAGNET**  
(71) Applicant: **Pingyang County Youyi da crafts Co., LTD**, Wenzhou (CN)

D1,050,863 S \* 11/2024 Chen ..... D8/367  
D1,050,864 S \* 11/2024 Chen ..... D8/367  
D1,060,015 S \* 2/2025 Chen ..... D8/367  
2015/0049426 A1\* 2/2015 Smith ..... G06F 1/1681  
220/230

(72) Inventor: **Xianmin Zheng**, Wenzhou (CN)

**OTHER PUBLICATIONS**

(\*\*) Term: **15 Years**

Cat Fridge Magnet, Blue crab magnets, [https://www.amazon.com/dp/B07D5QQSLM/ref=sbl\\_dp\\_x\\_decor-refrigerator-magnets\\_BOCLYYPGWX\\_20n](https://www.amazon.com/dp/B07D5QQSLM/ref=sbl_dp_x_decor-refrigerator-magnets_BOCLYYPGWX_20n), Sep. 26, 2013 (Year: 2013).\*

(21) Appl. No.: **29/983,775**

\* cited by examiner

(22) Filed: **Jan. 12, 2025**

(51) **LOC (15) Cl.** ..... **13-99**

(52) **U.S. Cl.**

*Primary Examiner* — Joseph Kukella  
*Assistant Examiner* — Benjamin M Weeks  
(74) *Attorney, Agent, or Firm* — Nitin Kaushik

USPC ..... **D13/183**

(58) **Field of Classification Search**

(57) **CLAIM**

USPC ..... D6/323, 328; D8/349, 354, 356, 363, D8/367, 373; D13/183

The ornamental design for a refrigerator magnet, as shown and described.

CPC ..... B42F 1/04; G09F 7/04; H01F 7/0252  
See application file for complete search history.

**DESCRIPTION**

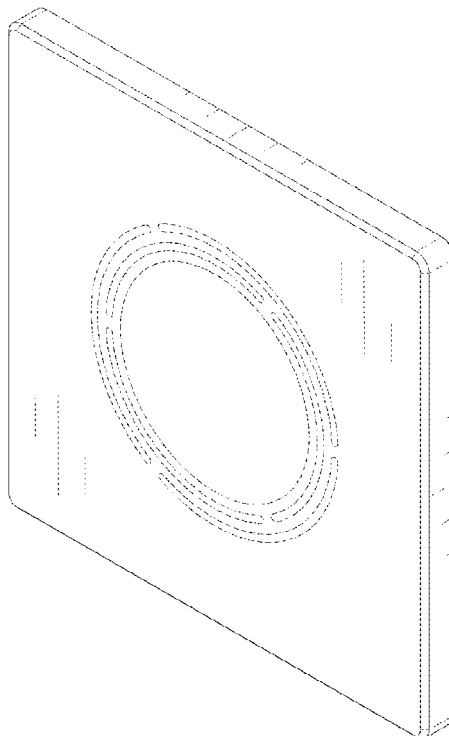
(56) **References Cited**

**U.S. PATENT DOCUMENTS**

D723,103 S \* 2/2015 Bevan ..... D19/86  
D734,133 S \* 7/2015 Spindler ..... F21S 4/10  
D823,943 S \* 7/2018 Turner ..... D19/86  
D929,894 S \* 9/2021 Pitts ..... D13/184  
D961,596 S \* 8/2022 Fonti ..... D13/184  
D988,117 S \* 6/2023 Chen ..... D8/367  
D1,025,757 S \* 5/2024 Wang ..... D8/367  
D1,025,758 S \* 5/2024 Wang ..... D8/367  
D1,040,645 S \* 9/2024 Chen ..... D8/367  
D1,040,646 S \* 9/2024 Chen ..... D8/367

FIG. 1 is a front perspective view of a refrigerator magnet showing a new design;  
FIG. 2 is a rear perspective view thereof;  
FIG. 3 is a front elevation view thereof;  
FIG. 4 is a rear elevation view thereof;  
FIG. 5 is a left elevation view thereof;  
FIG. 6 is a right elevation view thereof;  
FIG. 7 is a top plan view thereof; and,  
FIG. 8 is a bottom plan view thereof.  
The broken lines in the drawings illustrate the portions of the refrigerator magnet, which form no part of the claimed design.

**1 Claim, 8 Drawing Sheets**



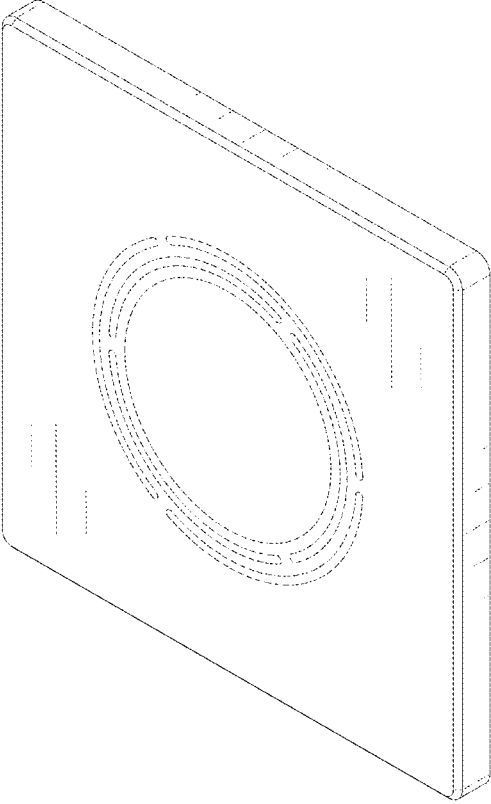


FIG.1

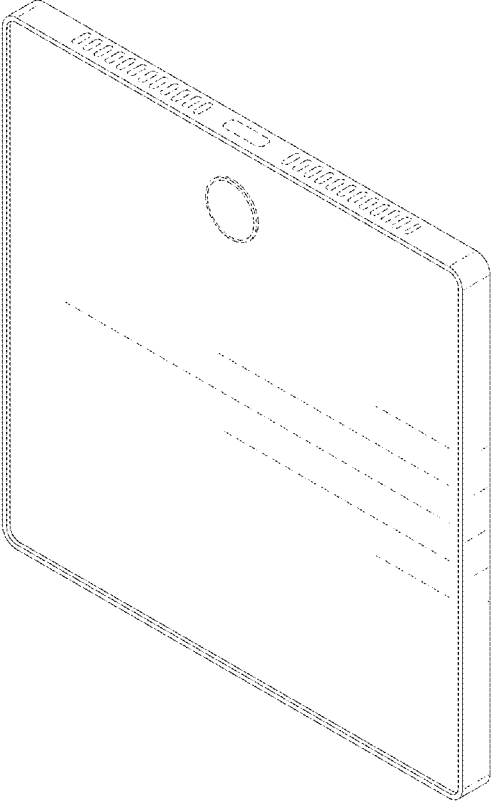


FIG.2

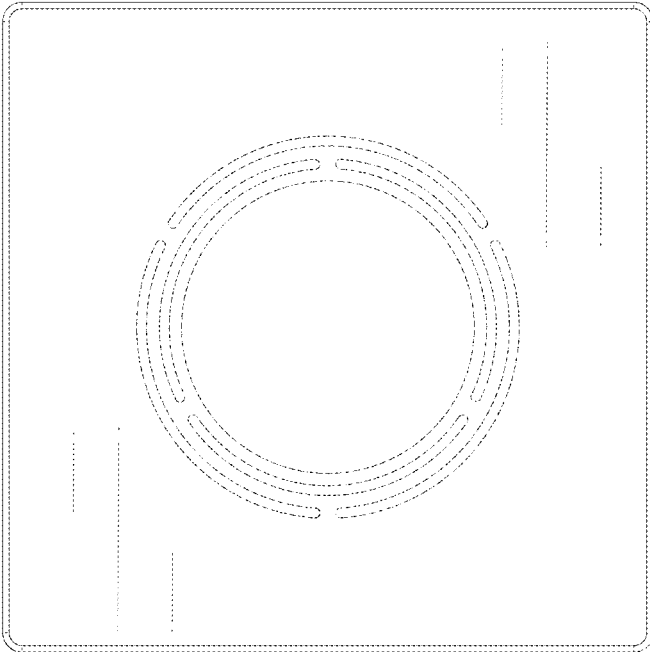


FIG.3

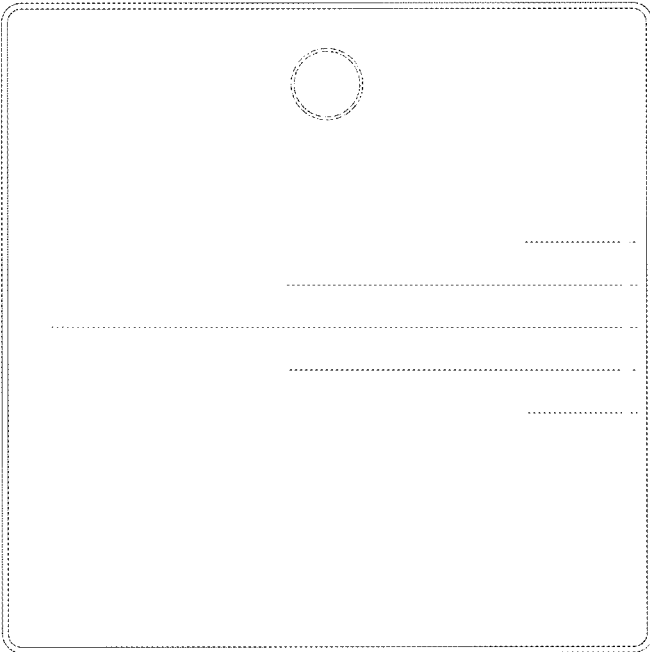


FIG.4

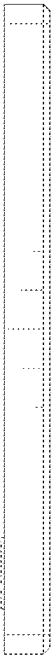


FIG.5



FIG.6

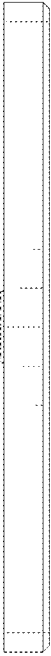


FIG.7



FIG.8