



US00D744632S

(12) **United States Design Patent**
Ehlert et al.

(10) **Patent No.:** **US D744,632 S**

(45) **Date of Patent:** **** Dec. 1, 2015**

(54) **AIR VENT HOUSING**
(71) Applicant: **TSI Products, Inc.**, Arlington, TX (US)
(72) Inventors: **John H. Ehlert**, Dallas, TX (US);
Stephen William O'Brien, Fort Worth, TX (US)

D468,798 S * 1/2003 Wilder D23/209
D593,190 S * 5/2009 Glass D23/365
D671,630 S * 11/2012 Hideharu D23/382
D692,993 S * 11/2013 Warren D23/364
D694,870 S * 12/2013 Watson D23/341
D709,592 S * 7/2014 Bertucelli D23/209
D717,415 S * 11/2014 Ehlert D23/314

* cited by examiner

(73) Assignee: **TSI Products, Inc.**, Arlington, TX (US)

Primary Examiner — David Muller

(**) Term: **14 Years**

Assistant Examiner — Nathan Johnston

(21) Appl. No.: **29/489,802**

(74) *Attorney, Agent, or Firm* — Hitchcock Evert LLP

(22) Filed: **May 2, 2014**

(57) **CLAIM**

(51) **LOC (10) Cl.** **23-04**

The ornamental design for an air vent housing, as shown and described.

(52) **U.S. Cl.**

USPC **D23/393**

(58) **Field of Classification Search**

USPC D23/385–395, 397, 370–373, 365, 351,
D23/354, 399–403, 421, 499; 454/309,
454/275–277, 284, 287–291, 358–363;
52/302.1, 32.07; 285/229, 189, 183,
285/123.1, 15, 114, 110, 424, 197; 165/59;
34/97

CPC B60H 1/00514; B60H 1/00028
See application file for complete search history.

DESCRIPTION

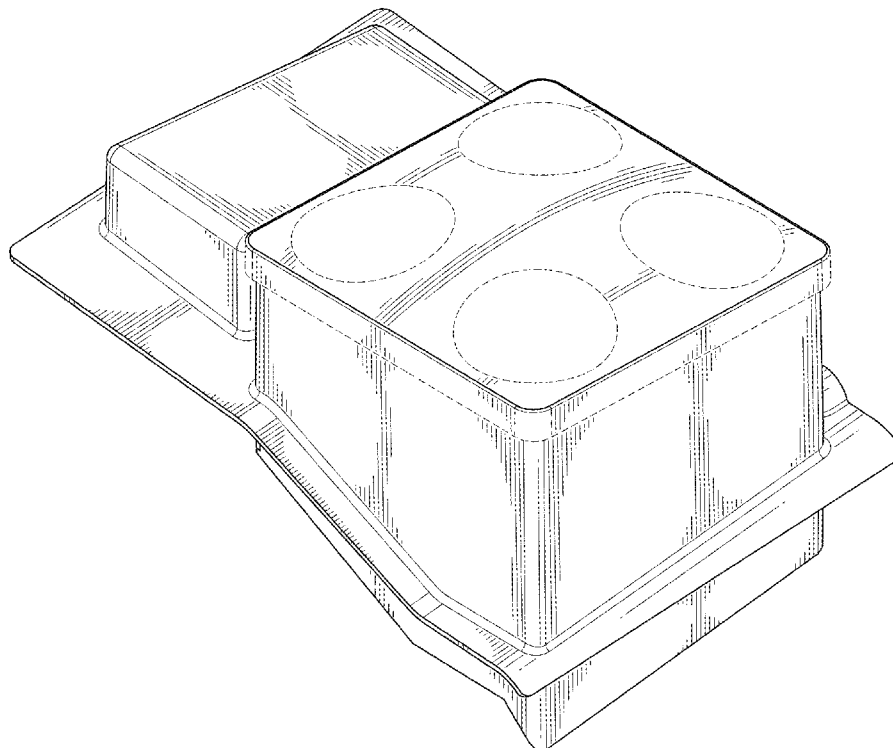
FIG. 1 is a perspective view from the top-right of the air vent housing showing our new design;
FIG. 2 is a front elevation view thereof;
FIG. 3 is a back elevation view thereof;
FIG. 4 is a right side elevation view thereof;
FIG. 5 is a left side elevation view thereof;
FIG. 6 is a top plan view thereof; and
FIG. 7 is a bottom plan view thereof; and,
FIG. 8 is a perspective view from the bottom-left thereof.
The features shown in broken lines depict environmental subject matter only and form no part of the claimed design.

(56) **References Cited**

U.S. PATENT DOCUMENTS

D239,031 S * 3/1976 Madlem D13/155
D355,482 S * 2/1995 Grigsby, Jr. D15/5

1 Claim, 8 Drawing Sheets



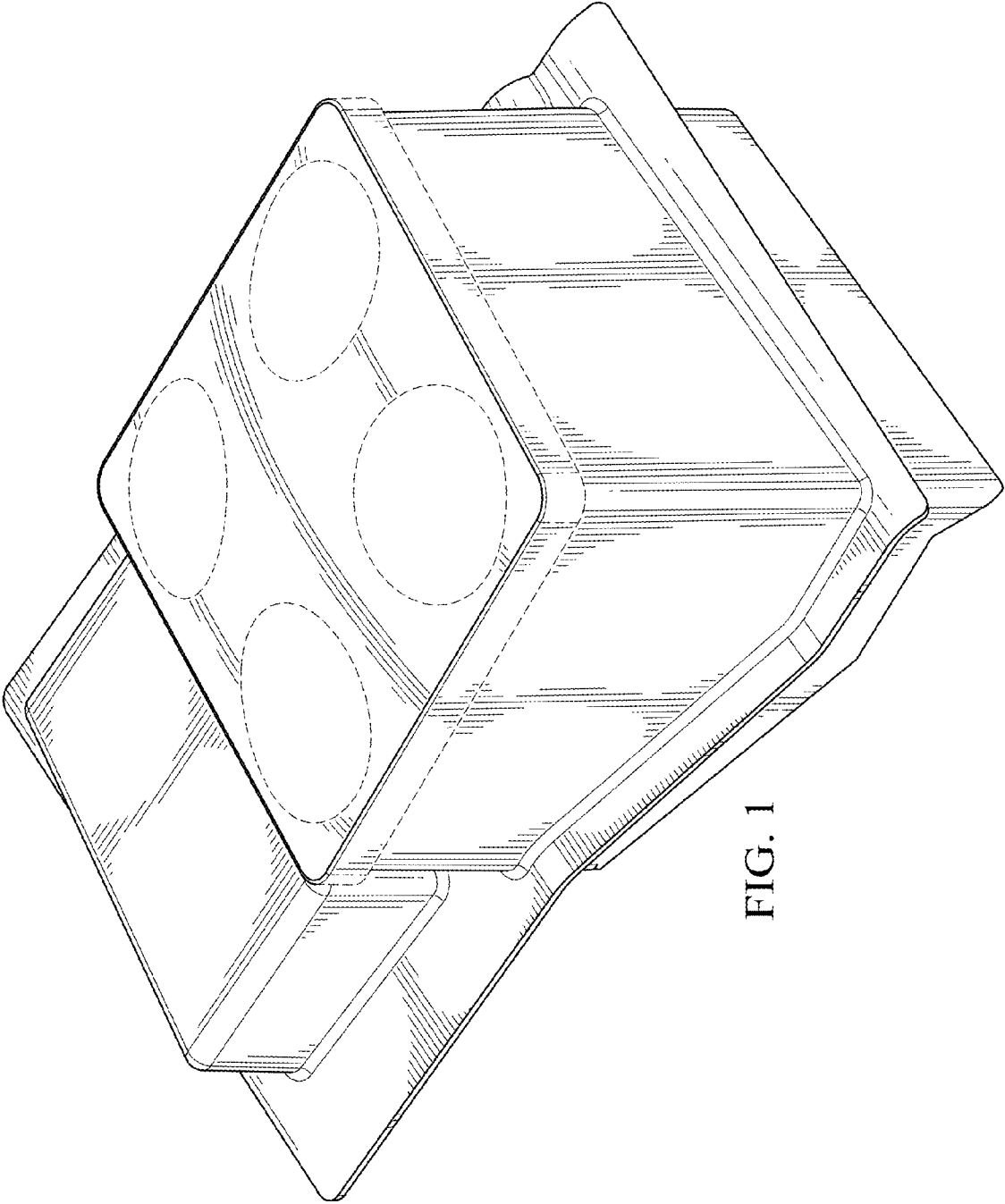


FIG. 1

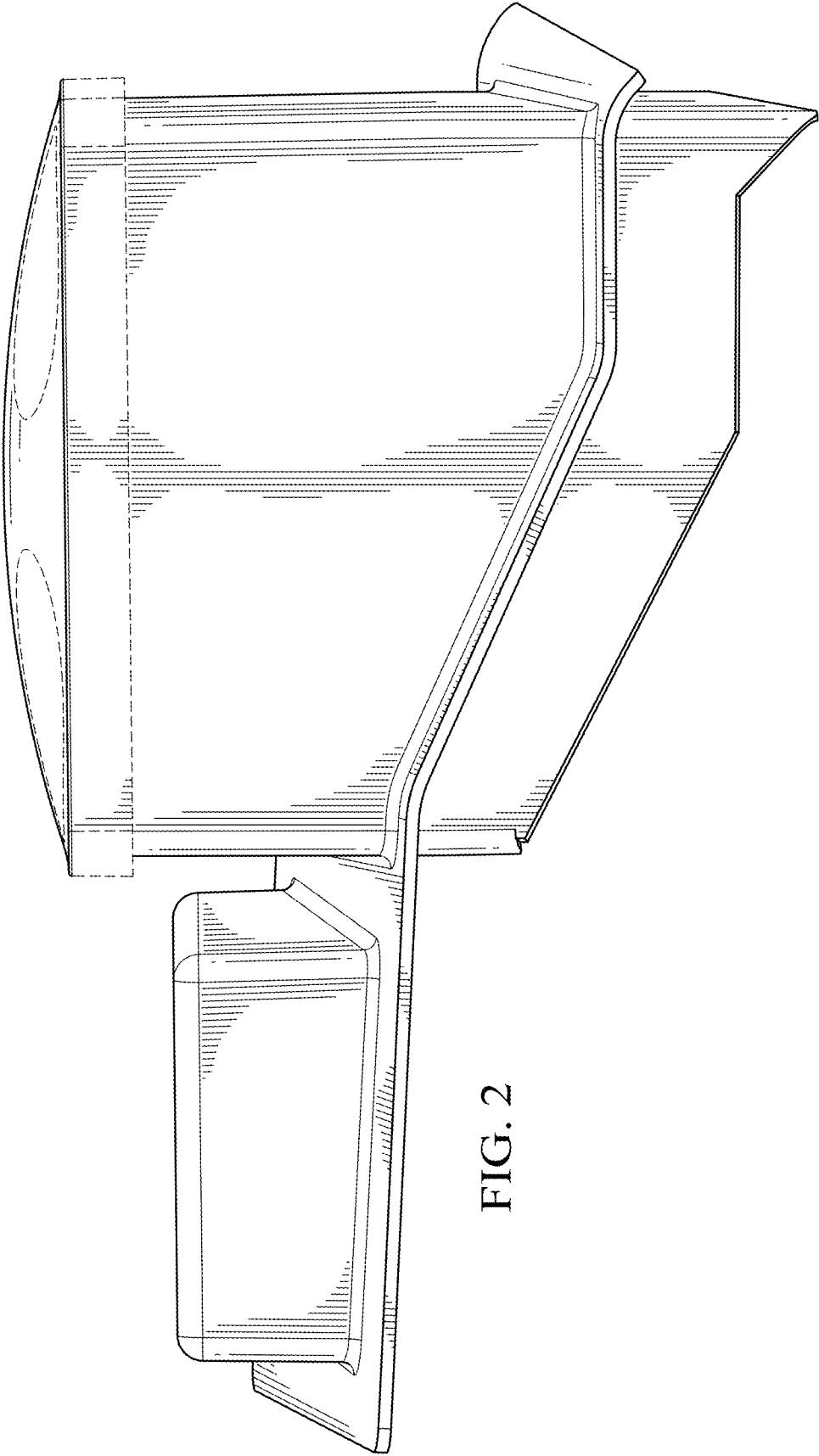


FIG. 2

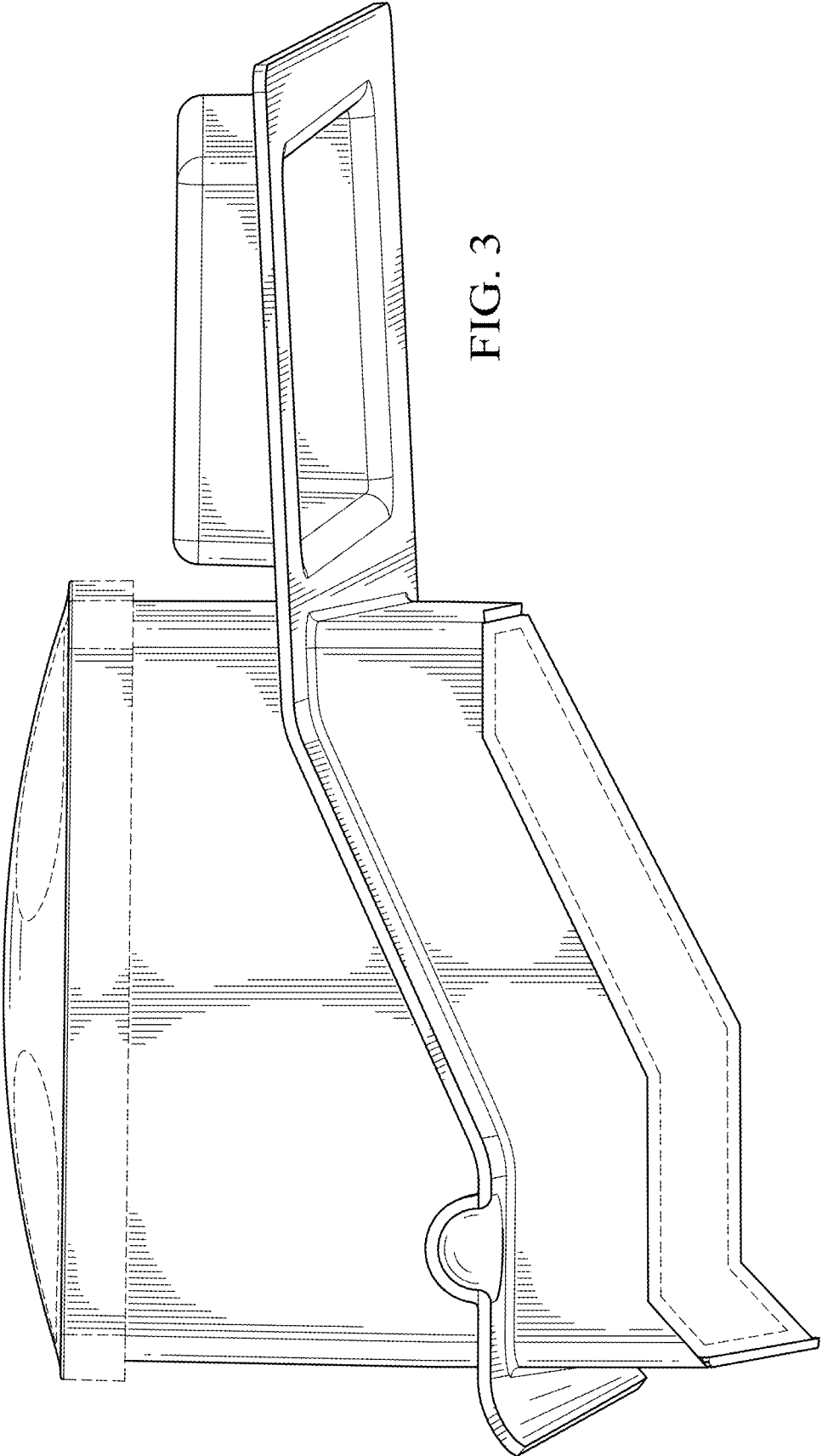


FIG. 3

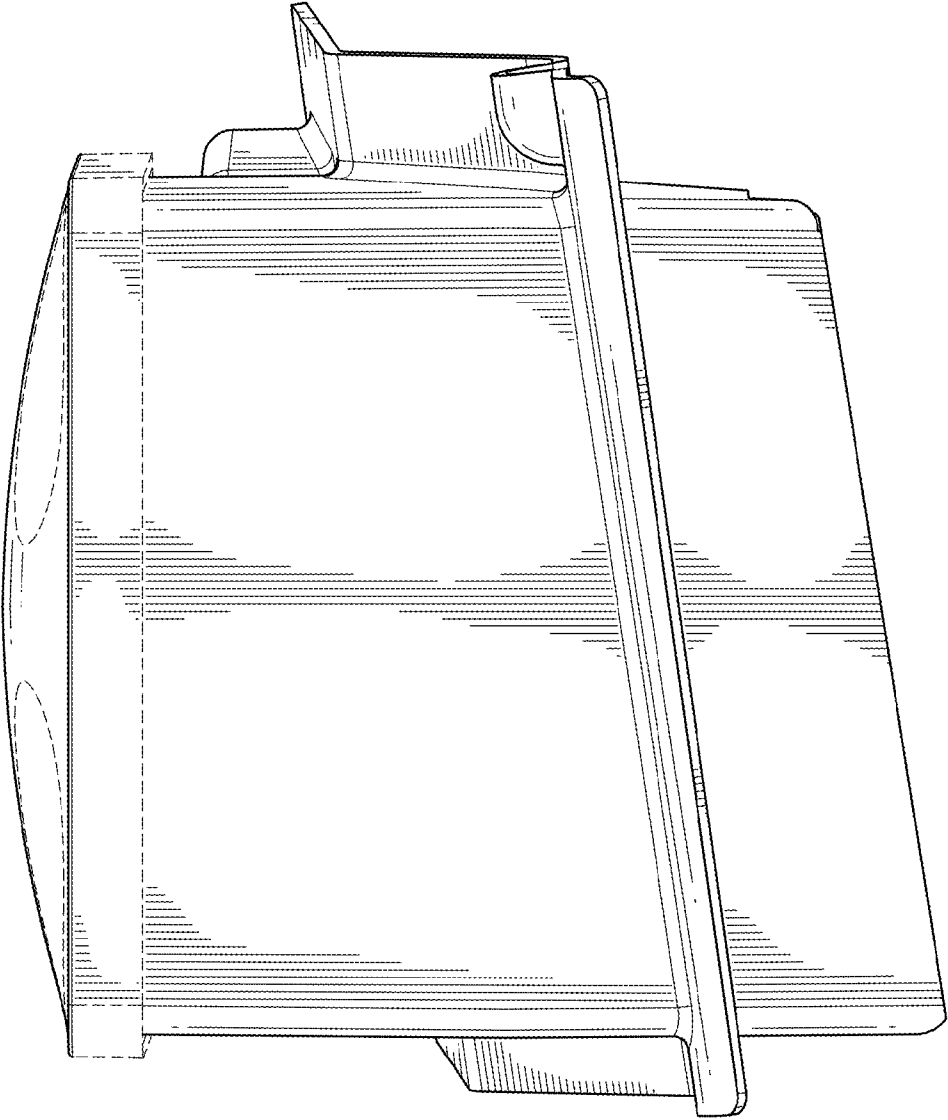


FIG. 4

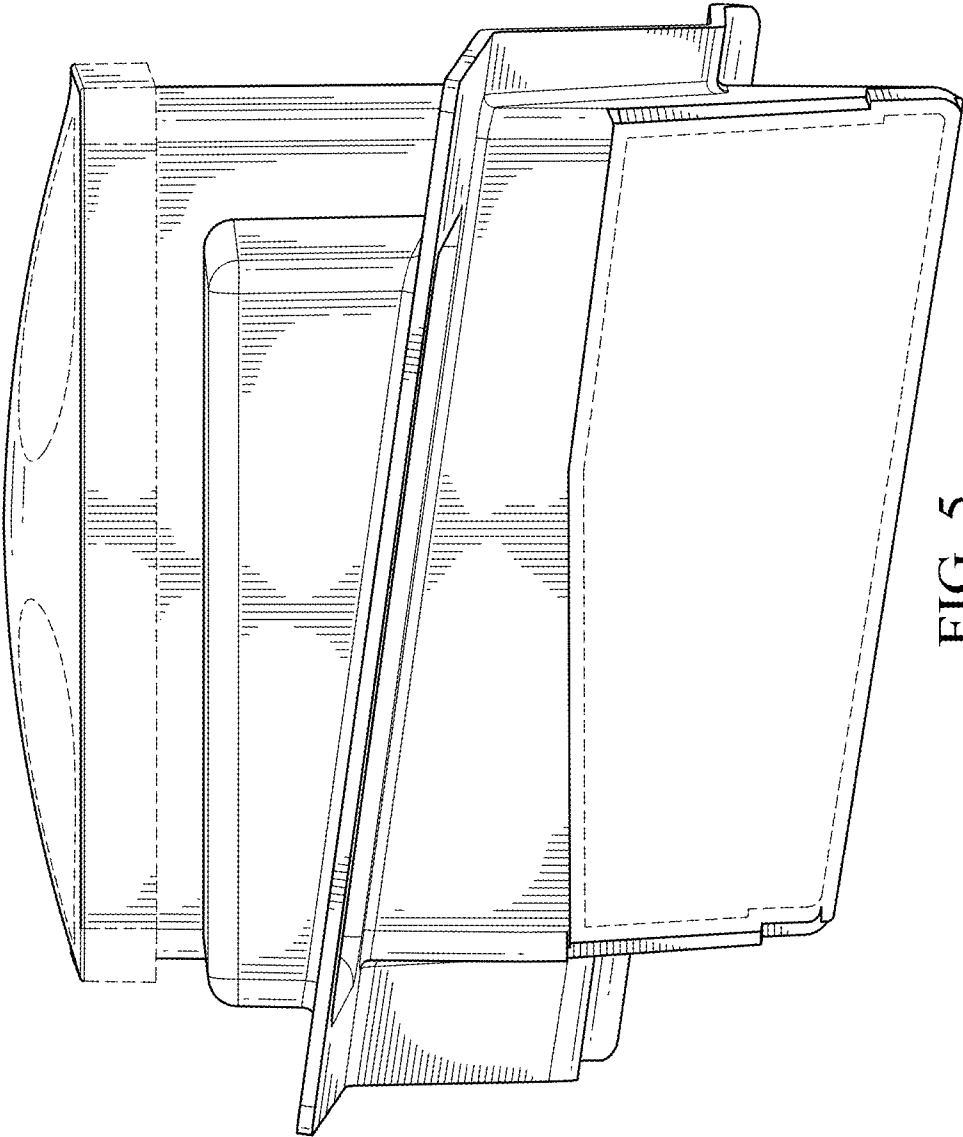


FIG. 5

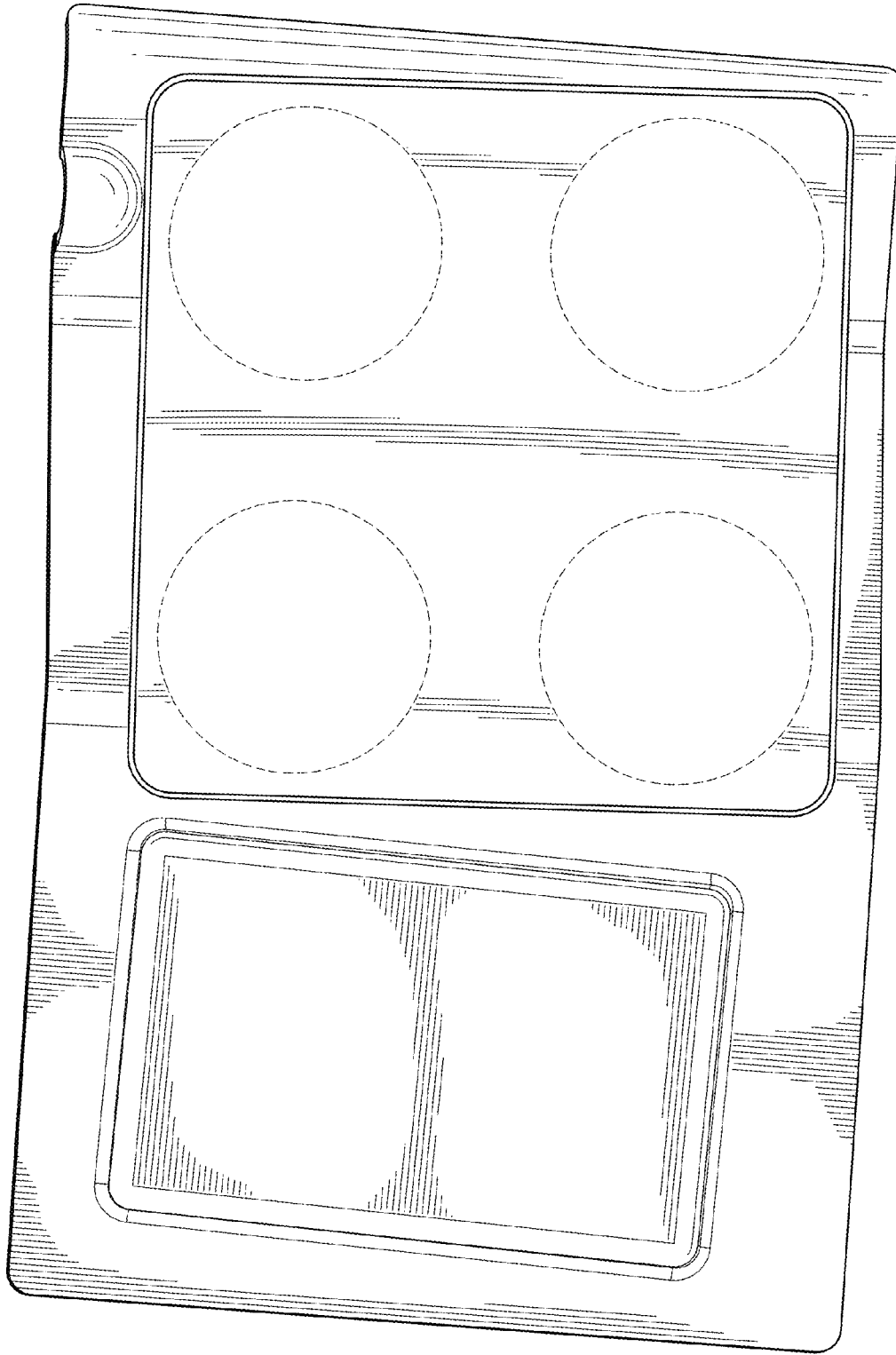


FIG. 6

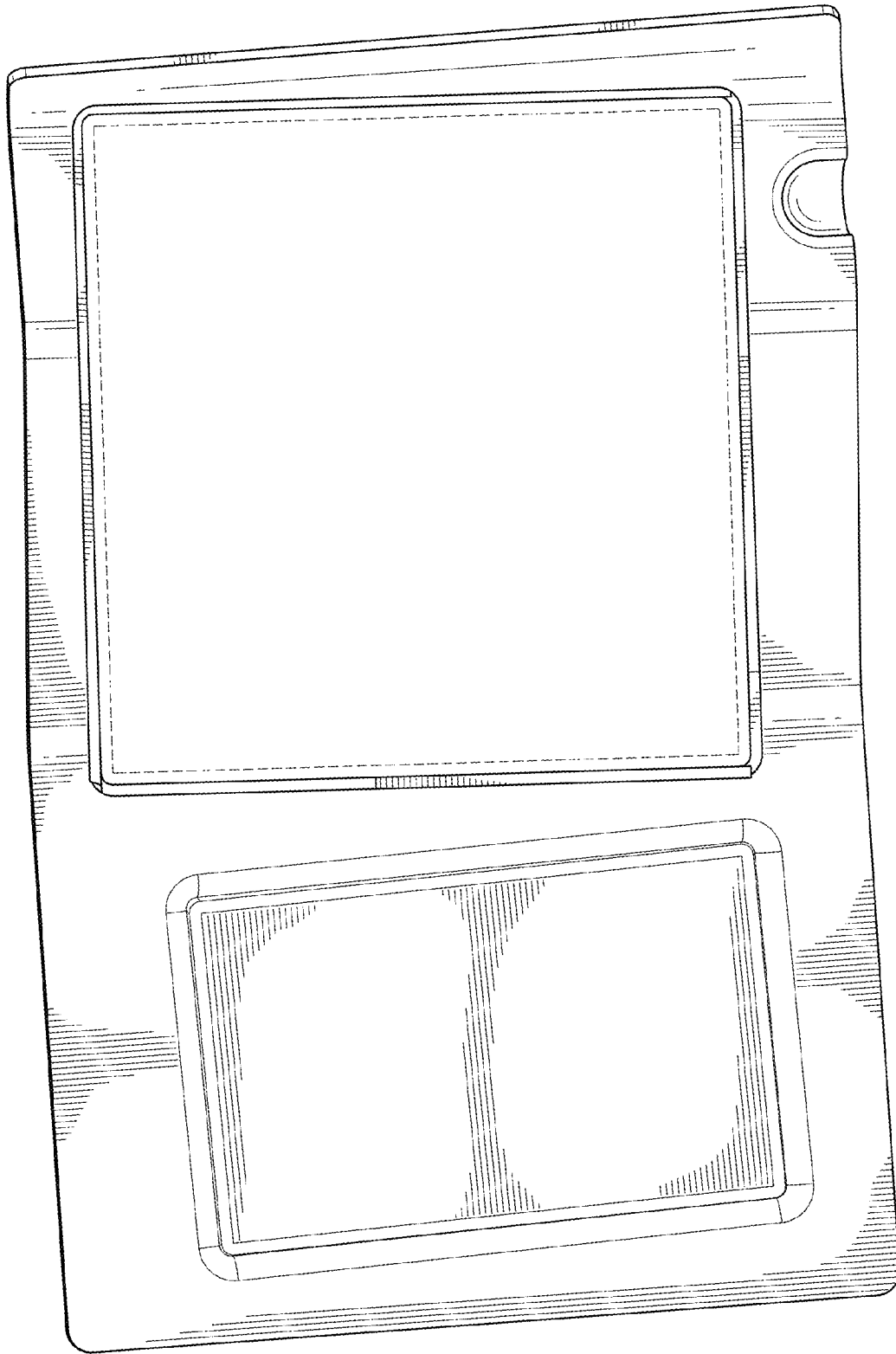


FIG. 7

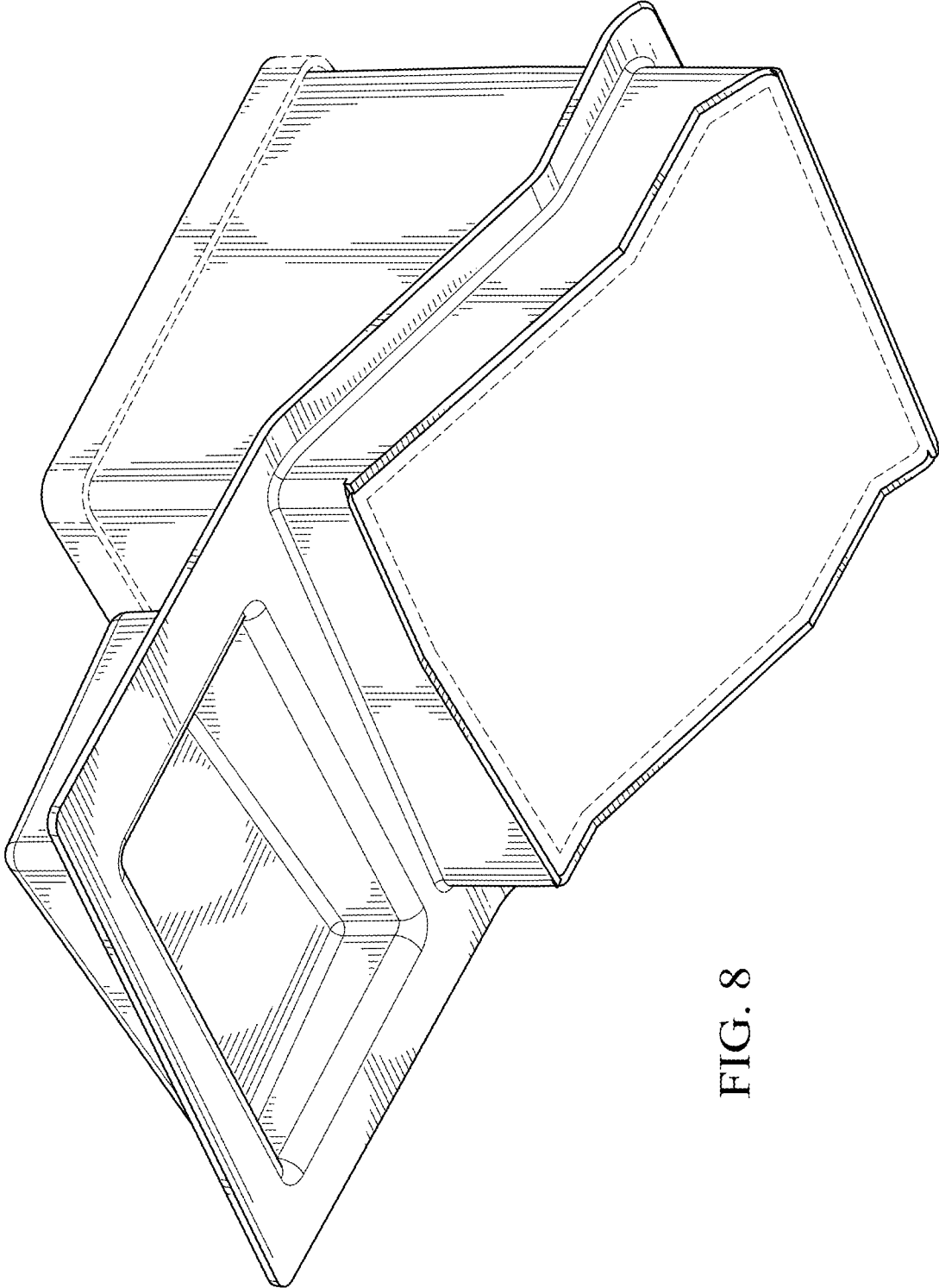


FIG. 8