

(19) World Intellectual Property Organization
International Bureau



(43) International Publication Date
2 October 2008 (02.10.2008)

PCT

(10) International Publication Number
WO 2008/117155 A3

- (51) International Patent Classification:
F24C 3/10 (2006.01) *F23Q 3/00* (2006.01)
- (21) International Application Number:
PCT/IB2008/000680
- (22) International Filing Date: 24 March 2008 (24.03.2008)
- (25) Filing Language: English
- (26) Publication Language: English
- (30) Priority Data:
TO2007A000218 26 March 2007 (26.03.2007) IT
- (71) Applicant (for all designated States except US): **ITW INDUSTRIAL COMPONENTS S.R.L. CON UNICO SOCIO** [IT/IT]; Via Visconti di Modrone, 7, I-20122 Milano (IT).

CH, CN, CO, CR, CU, CZ, DE, DK, DM, DO, DZ, EC, EE, EG, ES, FI, GB, GD, GE, GH, GM, GT, HN, HR, HU, ID, IL, IN, IS, JP, KE, KG, KM, KN, KP, KR, KZ, LA, LC, LK, LR, LS, LT, LU, LY, MA, MD, ME, MG, MK, MN, MW, MX, MY, MZ, NA, NG, NI, NO, NZ, OM, PG, PH, PL, PT, RO, RS, RU, SC, SD, SE, SG, SK, SL, SM, SV, SY, TJ, TM, TN, TR, TT, TZ, UA, UG, US, UZ, VC, VN, ZA, ZM, ZW.

- (84) Designated States (unless otherwise indicated, for every kind of regional protection available): ARIPO (BW, GH, GM, KE, LS, MW, MZ, NA, SD, SL, SZ, TZ, UG, ZM, ZW), Eurasian (AM, AZ, BY, KG, KZ, MD, RU, TJ, TM), European (AT, BE, BG, CH, CY, CZ, DE, DK, EE, ES, FI, FR, GB, GR, HR, HU, IE, IS, IT, LT, LU, LV, MC, MT, NL, NO, PL, PT, RO, SE, SI, SK, TR), OAPI (BF, BJ, CF, CG, CI, CM, GA, GN, GQ, GW, ML, MR, NE, SN, TD, TG).

- (72) Inventors; and
- (75) Inventors/Applicants (for US only): **PIANEZZE, Daniele** [IT/IT]; Via Toscana, 16C, I-21012 Cassano Magnago (IT). **ALEARDI, Massimo** [IT/IT]; Via A. Costa, 36, I-21012 Cassano Magnago (IT).
- (81) Designated States (unless otherwise indicated, for every kind of national protection available): AE, AG, AL, AM, AO, AT, AU, AZ, BA, BB, BG, BH, BR, BW, BY, BZ, CA,

- Declarations under Rule 4.17:**
- as to applicant's entitlement to apply for and be granted a patent (Rule 4.17(ii))
 - as to the applicant's entitlement to claim the priority of the earlier application (Rule 4.17(iii))
 - of inventorship (Rule 4.17(iv))

- Published:**
- with international search report

[Continued on next page]

(54) Title: GAS LIGHTING DEVICE HAVING SIMPLIFIED FASTENING MEANS TO AN ELECTRIC HOUSEHOLD APPLIANCE, IN PARTICULAR A COOKING RANGE

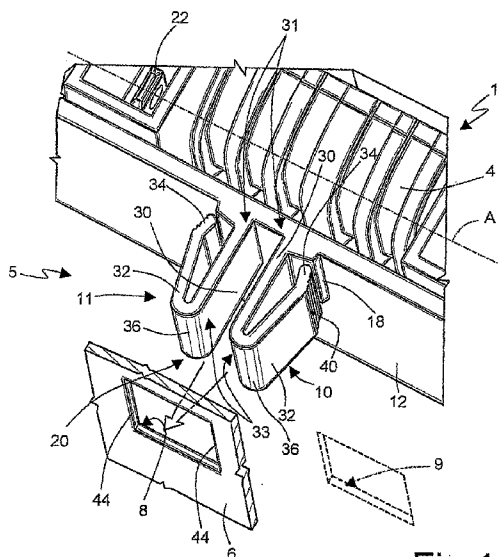


Fig.1

(57) Abstract: A gas lighting device having a casing fastenable to an electric household appliance by means of fastening means coupleable with corresponding perforations obtained on a carrying element of the electric household appliance; wherein the fastening means consist of at least one pair of elastically deformable fastening elements protrudingly carried by the casing, perpendicularly to the same, in a position immediately adjacent one to the other so that they are adapted to snappingly couple with only one and the same of said perforations of the carrying element of the electric household appliance.



WO 2008/117155 A3



— *before the expiration of the time limit for amending the claims and to be republished in the event of receipt of amendments*

(88) Date of publication of the international search report:
20 November 2008

INTERNATIONAL SEARCH REPORT

International application No
PCT/IB2008/000680

A. CLASSIFICATION OF SUBJECT MATTER
INV. F24C3/10 F23Q3/00

According to International Patent Classification (IPC) or to both national classification and IPC

B. FIELDS SEARCHED

Minimum documentation searched (classification system followed by classification symbols)
F24C F23Q H02B H05K F16B

Documentation searched other than minimum documentation to the extent that such documents are included in the fields searched

Electronic data base consulted during the international search (name of data base and, where practical, search terms used)

EPO-Internal, WPI Data

C. DOCUMENTS CONSIDERED TO BE RELEVANT

Category*	Citation of document, with indication, where appropriate, of the relevant passages	Relevant to claim No.
Y	WO 00/07217 A (MILLER EUROP S P A [IT]; ALEARDI MASSIMO [IT]; BIANCHI RAUL [IT]) 10 February 2000 (2000-02-10)	1-3,5-7
A	page 9, line 3 - line 13; figures -----	4
Y	DE 44 10 512 A1 (PAFF STANNOL LOETMITTEL [DE] PPS SOFTWARE & SYSTEME GMBH [DE]) 5 October 1995 (1995-10-05)	1-3,5-7
	column 3, line 49 - column 4, line 55; figure 6 -----	
A	EP 0 470 471 A (SIEMON CO [US]) 12 February 1992 (1992-02-12)	7
	column 4, line 41 - line 51; figure 2 -----	
A	EP 1 101 067 A (ITW IND COMPONENTS SRL [IT]) 23 May 2001 (2001-05-23)	1
	cited in the application abstract -----	

Further documents are listed in the continuation of Box C.

See patent family annex.

* Special categories of cited documents :

- *A* document defining the general state of the art which is not considered to be of particular relevance
- *E* earlier document but published on or after the international filing date
- *L* document which may throw doubts on priority claim(s) or which is cited to establish the publication date of another citation or other special reason (as specified)
- *O* document referring to an oral disclosure, use, exhibition or other means
- *P* document published prior to the international filing date but later than the priority date claimed

- *T* later document published after the international filing date or priority date and not in conflict with the application but cited to understand the principle or theory underlying the invention
- *X* document of particular relevance; the claimed invention cannot be considered novel or cannot be considered to involve an inventive step when the document is taken alone
- *Y* document of particular relevance; the claimed invention cannot be considered to involve an inventive step when the document is combined with one or more other such documents, such combination being obvious to a person skilled in the art.
- *&* document member of the same patent family

Date of the actual completion of the international search

9 September 2008

Date of mailing of the international search report

01/10/2008

Name and mailing address of the ISA/

European Patent Office, P.B. 5818 Patentlaan 2
NL - 2280 HV Rijswijk
Tel. (+31-70) 340-2040, Tx. 31 651 epo nl,
Fax: (+31-70) 340-3016

Authorized officer

Rohr, Peter

INTERNATIONAL SEARCH REPORT

Information on patent family members

International application No

PCT/IB2008/000680

Patent document cited in search report		Publication date	Patent family member(s)	Publication date
WO 0007217	A	10-02-2000	AT 232589 T	15-02-2003
			AU 5193899 A	21-02-2000
			BR 9912464 A	17-04-2001
			CA 2347663 A1	10-02-2000
			DE 69905377 D1	20-03-2003
			DE 69905377 T2	20-11-2003
			EP 1105683 A2	13-06-2001
			ES 2192855 T3	16-10-2003
			IT T0980652 A1	28-01-2000
			US 6429606 B1	06-08-2002
DE 4410512	A1	05-10-1995	NONE	
EP 0470471	A	12-02-1992	AT 136697 T	15-04-1996
			AU 645088 B2	06-01-1994
			AU 7816691 A	13-02-1992
			BR 9103435 A	19-05-1992
			DE 69118611 D1	15-05-1996
			DE 69118611 T2	19-09-1996
			DK 470471 T3	20-05-1996
			ES 2088449 T3	16-08-1996
			GR 3019696 T3	31-07-1996
			US 5217190 A	08-06-1993
EP 1101067	A	23-05-2001	AT 235025 T	15-04-2003
			AU 5193999 A	21-02-2000
			BR 9912457 A	17-04-2001
			CA 2347705 A1	10-02-2000
			DE 69906087 D1	24-04-2003
			DE 69906087 T2	11-12-2003
			ES 2194494 T3	16-11-2003
			WO 0006952 A1	10-02-2000
			IT T0980653 A1	28-01-2000
			US 6796792 B1	28-09-2004