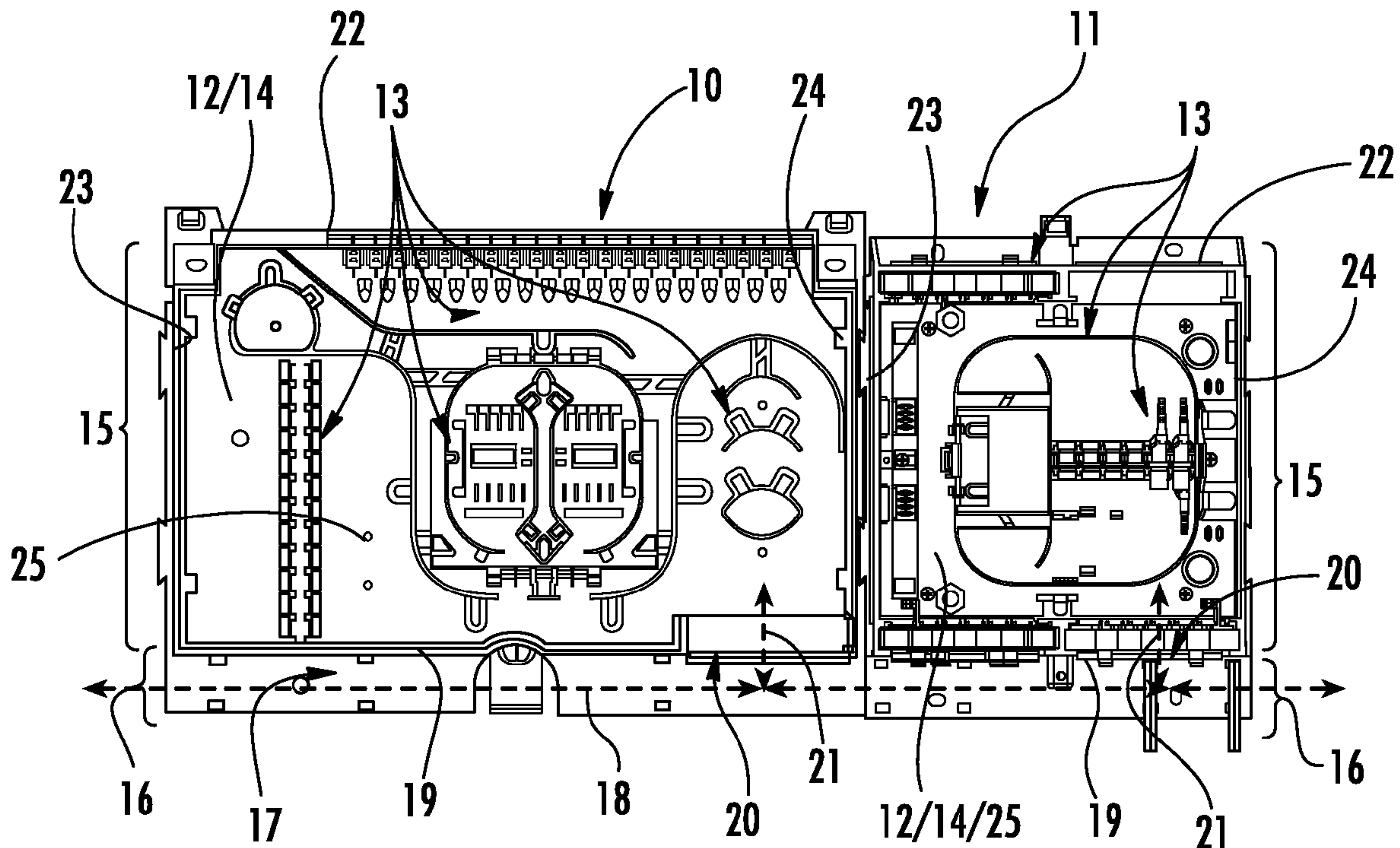




(86) **Date de dépôt PCT/PCT Filing Date:** 2011/03/30
 (87) **Date publication PCT/PCT Publication Date:** 2011/10/20
 (45) **Date de délivrance/Issue Date:** 2018/02/06
 (85) **Entrée phase nationale/National Entry:** 2012/10/12
 (86) **N° demande PCT/PCT Application No.:** US 2011/030466
 (87) **N° publication PCT/PCT Publication No.:** 2011/130004
 (30) **Priorités/Priorities:** 2010/04/16 (US61/325,082);
 2010/10/28 (US61/407,721)

(51) **Cl.Int./Int.Cl. G02B 6/44** (2006.01)
 (72) **Inventeurs/Inventors:**
 FABRYKOWSKI, GRZEGORZ, PL;
 MUELLER, MICHAEL A., DE;
 GRALEWSKI-SEK, GRZEGORZ K., PL
 (73) **Propriétaire/Owner:**
 CORNING OPTICAL COMMUNICATIONS LLC, US
 (74) **Agent:** GOWLING WLG (CANADA) LLP

(54) **Titre : SYSTEME COMPRENANT UNE PLURALITE DE DISPOSITIFS DE DISTRIBUTION, ET DISPOSITIF DE DISTRIBUTION**
 (54) **Title: SYSTEM COMPRISING A PLURALITY OF DISTRIBUTION DEVICES AND DISTRIBUTION DEVICE**



(57) **Abrégé/Abstract:**

A system of distribution devices is disclosed. The housing of each distribution device has at least two physically and functionally separate functional regions (15, 16). At least one first functional region (15) is for connecting and/or storing data conductors. At least one second functional region (16) exclusively for guiding data cables having the data conductors. When a plurality of such distribution devices are grouped next to one another and/or one above the other to form a system of a plurality of distribution devices, the functional regions which are used exclusively for guiding data cables having the data conductors form at least one cable guide channel, which extends continuously in the horizontal and/or vertical direction over a plurality of distribution devices.

(12) INTERNATIONAL APPLICATION PUBLISHED UNDER THE PATENT COOPERATION TREATY (PCT)

(19) World Intellectual Property Organization
International Bureau



(43) International Publication Date
20 October 2011 (20.10.2011)

(10) International Publication Number
WO 2011/130004 A1

(51) International Patent Classification:
G02B 6/44 (2006.01)

(21) International Application Number:
PCT/US2011/030466

(22) International Filing Date:
30 March 2011 (30.03.2011)

(25) Filing Language: English

(26) Publication Language: English

(30) Priority Data:
61/325,082 16 April 2010 (16.04.2010) US
61/407,721 28 October 2010 (28.10.2010) US

(71) Applicant (for all designated States except US): **CCS TECHNOLOGY, INC.** [US/US]; 103 Foulk Road, Suite 278-T, Wilmington, Delaware 19803 (US).

(72) Inventors; and

(75) Inventors/Applicants (for US only): **FABRYKOWSKI, Grzegorz** [PL/PL]; Michalówek Nr. 8, PL-95-010 Strykow (PL). **MUELLER, Michael A.** [DE/DE]; Ober der Becke 4, 58706 Menden (DE). **GRALEWSKI-SEK, Grzegorz K.** [PL/PL]; Jonschera 8/15, PL-91-849 Lodz (PL).

(74) Agent: **VYNALEK, John H.**; Corning Cable Systems LLC, 800 17th Street NW, P.O. Box 489, Hickory, North Carolina 28603 (US).

(81) Designated States (unless otherwise indicated, for every kind of national protection available): AE, AG, AL, AM, AO, AT, AU, AZ, BA, BB, BG, BH, BR, BW, BY, BZ, CA, CH, CL, CN, CO, CR, CU, CZ, DE, DK, DM, DO, DZ, EC, EE, EG, ES, FI, GB, GD, GE, GH, GM, GT, HN, HR, HU, ID, IL, IN, IS, JP, KE, KG, KM, KN, KP, KR, KZ, LA, LC, LK, LR, LS, LT, LU, LY, MA, MD, ME, MG, MK, MN, MW, MX, MY, MZ, NA, NG, NI, NO, NZ, OM, PE, PG, PH, PL, PT, RO, RS, RU, SC, SD, SE, SG, SK, SL, SM, ST, SV, SY, TH, TJ, TM, TN, TR, TT, TZ, UA, UG, US, UZ, VC, VN, ZA, ZM, ZW.

(84) Designated States (unless otherwise indicated, for every kind of regional protection available): ARIPO (BW, GH, GM, KE, LR, LS, MW, MZ, NA, SD, SL, SZ, TZ, UG, ZM, ZW), Eurasian (AM, AZ, BY, KG, KZ, MD, RU, TJ, TM), European (AL, AT, BE, BG, CH, CY, CZ, DE, DK, EE, ES, FI, FR, GB, GR, HR, HU, IE, IS, IT, LT, LU, LV, MC, MK, MT, NL, NO, PL, PT, RO, RS, SE, SI, SK, SM, TR), OAPI (BF, BJ, CF, CG, CI, CM, GA, GN, GQ, GW, ML, MR, NE, SN, TD, TG).

Published:

- with international search report (Art. 21(3))
- before the expiration of the time limit for amending the claims and to be republished in the event of receipt of amendments (Rule 48.2(h))

(54) Title: SYSTEM COMPRISING A PLURALITY OF DISTRIBUTION DEVICES AND DISTRIBUTION DEVICE

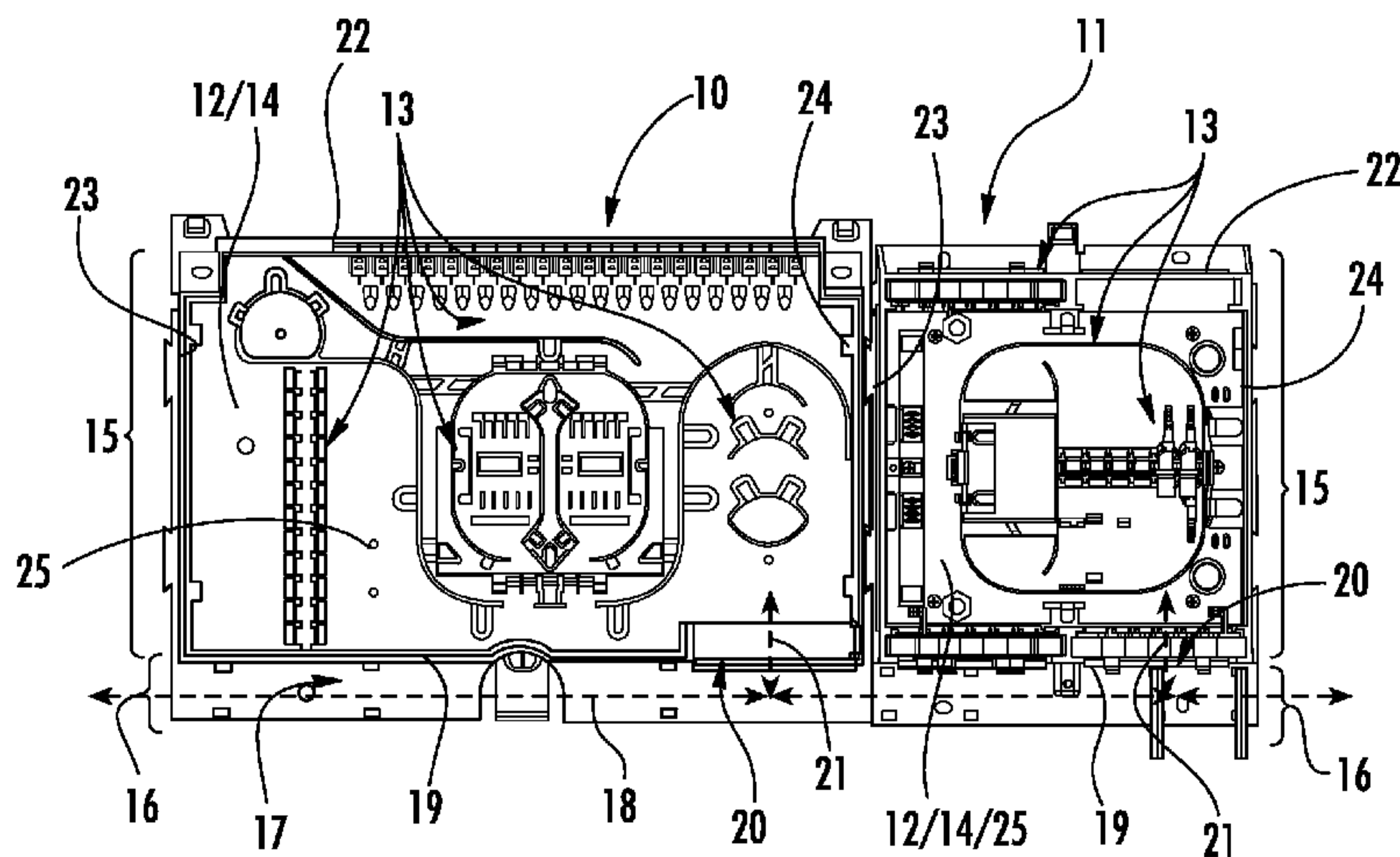


FIG. 1

(57) Abstract: A system of distribution devices is disclosed. The housing of each distribution device has at least two physically and functionally separate functional regions (15, 16). At least one first functional region (15) is for connecting and/or storing data conductors. At least one second functional region (16) exclusively for guiding data cables having the data conductors. When a plurality of such distribution devices are grouped next to one another and/or one above the other to form a system of a plurality of distribution devices, the functional regions which are used exclusively for guiding data cables having the data conductors form at least one cable guide channel, which extends continuously in the horizontal and/or vertical direction over a plurality of distribution devices.

WO 2011/130004 A1

SYSTEM COMPRISING A PLURALITY OF DISTRIBUTION DEVICES AND DISTRIBUTION DEVICE

[0001] RELATED APPLICATIONS

[0002] BACKGROUND

[0003] The present invention relates to a system comprising a plurality of distribution devices such as optical waveguide distribution devices, in particular comprising a plurality of wall-mounted distribution boards, for handling data conductors such as optical waveguides or junctions between data conductors, in accordance with the precharacterizing clause of Claim 1. Furthermore, the invention relates to a distribution device in accordance with the precharacterizing clause of Claim 12.

[0004] When constructing optical waveguide cable networks, for example, optical waveguide distribution devices are required in order to ensure structured wiring. One demand placed on such optical waveguide distribution devices is a maximum possible number of optical waveguide distribution devices fitted with a high packing density and, at the same time, a low level of mechanical stress on the optical waveguides. Similar demands are placed on distribution devices for handling other data conductors.

[0005] DE 20 2007 000 556 U1 has disclosed an optical waveguide distribution device in the form of a wall-mounted distribution board and having a housing and assemblies arranged in the housing for handling optical waveguides. The housing of the optical waveguide distribution device known from this prior art has a modular design and has a plurality of basic modules which can be connected to one another and which can be connected in a defined grid pattern in the horizontal direction and/or vertical direction in order to extend the dimensions of the housing of the optical waveguide distribution device.

[0006] EP 2 060 942 A2 has likewise disclosed an optical waveguide distribution device with a housing and assemblies accommodated in the housing for handling, namely connecting and/or storing, optical waveguides. In accordance with this prior art, a plurality of optical waveguide distribution devices can be connected to one another in order to form a system comprising a plurality of optical waveguide distribution devices.

[0007] Until now, guiding or transferring data cables in the region of the distribution devices has presented difficulties.

SUMMARY

[0008] Against this background, the present invention is based on the problem of providing a novel system comprising a plurality of distribution devices. This problem is solved by a system having the features of Claim 1. According to the invention, the housing of each distribution device has at least two physically and functionally separate functional regions, namely at least one first functional region for connecting and/or storing data conductors and one second functional region exclusively for guiding data cables having the data conductors.

[0009] The present invention proposes for the first time providing a separate functional region on a distribution device, which functional region serves the purpose exclusively of guiding data cables. A functional region which serves the purpose of connecting and/or storing data conductors guided in the data cables is separated physically and functionally from this first functional region, which serves exclusively to guide data cables. When a plurality of such distribution devices are grouped next to one another and/or one above the other to form a system of a plurality of distribution devices, the functional regions which are used exclusively for guiding data cables having the data conductors form at least one cable guide channel, which extends continuously in the horizontal and/or vertical direction over a plurality of distribution devices. Particularly preferred guidance and handling of data cables is thus possible.

[0010] Preferably, the second functional regions of distribution devices positioned next to one another or one above the other define a continuous cable guide channel, which extends over all the distribution devices positioned next to one another or one above the other, in order to transfer data cables between the

distribution devices positioned next to one another or one above the other in the horizontal or vertical direction and in a manner physically separated from the first functional regions.

[0011] In accordance with an advantageous development of the invention, the first functional region and the second functional region of the housing of each distribution device are separated from one another by a side wall of a housing lower part of the respective housing, with at least one aperture for transferring the data cables having the data conductors between the two functional regions being introduced into this side wall of the housing lower part of each distribution device. By virtue of the provision of at least one aperture in the side walls of the housing lower parts, which side walls separate the first functional regions and second functional regions from one another, it is possible to transfer a data cable or the data conductors guided in the data cable from the second functional region, which is used exclusively for guiding the data cables, into the first functional region of each distribution device.

[0012] Preferably, the first functional region and the second functional region of the housing of each distribution device are covered or closed by in each case one individual cover-like housing upper part.

[0013] When the first functional regions and the second functional regions of the housings of the distribution devices are closed or covered by an individual cover-like housing upper part, individual access to the first functional regions and second functional regions of the distribution devices is possible.

[0014] As a result, it is then possible to provide a system comprising a plurality of distribution devices, in which different access rights to the first functional regions and the second functional regions of the distribution devices can be established.

BRIEF DESCRIPTION OF THE DRAWINGS

[0015] Preferred developments of the invention are given in the dependent claims and the description below. Exemplary embodiments of the invention will be explained in more detail with reference to the drawing, in which:

[0016] Figure 1 shows a schematic illustration of a system according to the invention comprising a plurality of distribution devices in the form of optical

waveguide distribution devices in accordance with a first exemplary embodiment of the invention;

[0017] Figure 2 shows a schematic illustration of a system according to the invention comprising a plurality of distribution devices in the form of optical waveguide distribution devices in accordance with a second exemplary embodiment of the invention;

[0018] Figure 3 shows a schematic illustration of a system according to the invention comprising a plurality of distribution devices in the form of optical waveguide distribution devices in accordance with a third exemplary embodiment of the invention;

[0019] Figure 4 shows the arrangement shown in Figure 1 together with a housing upper part.

DETAILED DESCRIPTION

[0020] The invention relates to a system comprising a plurality of distribution devices, in particular comprising a plurality of distribution devices in the form of wall-mounted distribution boards. Furthermore, the invention relates to a distribution device as part of such a system. In the text which follows, the invention for the preferred application for optical waveguide distribution devices is described.

[0021] Figure 1 shows an exemplary embodiment of a system according to the invention comprising a plurality of optical waveguide distribution devices, with two optical waveguide distribution devices 10 and 11 being positioned next to one another in Figure 1.

[0022] Each of the optical waveguide distribution devices 10 and 11 comprises a housing 12 and assemblies 13 accommodated in the housing 12 for connecting and/or storing optical waveguides, with only the housing lower parts, or bases, 14 of the housings 12 of the optical waveguide distribution devices 10 and 11 being shown in Figure 1.

[0023] According to the invention, the housing 12 of each optical waveguide distribution device 10 and 11 of a system according to the invention comprising a plurality of optical waveguide distribution devices has at least two physically and functionally separate functional regions, namely at least one first functional region 15 for connecting and/or storing optical waveguides guided in optical waveguide

cables and one second functional region 16 exclusively for guiding optical waveguide cables having the optical waveguides.

[0024] It can be seen from Figure 1 that the second functional regions 16 of the optical waveguide distribution devices 10 and 11 positioned next to one another define a continuous cable guide channel 17, which extends over all of the optical waveguide distribution devices 10 and 11 positioned next to one another, in order to transfer optical waveguide cables in a horizontal direction between the optical waveguide distribution devices 10 and 11 positioned next to one another in a manner physically separate from the first functional regions 15 thereof. This transfer of the optical waveguide cables between the optical waveguide distribution devices 10 and 11 via the continuous cable guide channel 17 is illustrated in Figure 1 by dotted arrows 18 extending in the horizontal direction.

[0025] When optical waveguide distribution devices are positioned one above the other, the second functional regions 16 thereof form a continuous cable guide channel extending in the vertical direction in order then to transfer optical waveguide cables in the vertical direction between optical waveguide distribution devices positioned one above the other.

[0026] As can be seen from Figure 1, the first functional region 15 and the second functional region 16 of the respective housing 12 of the respective optical waveguide distribution device 10, 11 are separated from one another in the region of each optical waveguide distribution device 10 and 11 by a side wall 19 of the respective housing lower part 14, with in each case at least one aperture 20 being introduced into these side walls 19, by virtue of which the first functional regions 15 and second functional regions 16 of the optical waveguide distribution devices 10 and 11 are separated from one another, in order to transfer optical waveguides or optical waveguide cables guiding the optical waveguides between these two functional regions 14 and 15 of the optical waveguide distribution devices 10 and 11. This transfer is illustrated in Figure 1 by vertically running, dotted arrows 21.

[0027] In addition to the side walls 19 of the housing lower parts 14 of the housings 12 of the optical waveguide distribution devices 10 and 11, which side walls separate the first functional regions 15 and the second functional regions 16 of the optical waveguide distribution devices 10 and 11 from one another, the housing lower parts 14 of the housings 12 of the optical waveguide distribution

devices 10 and 11 comprise further side walls 22, 23 and 24, wherein, in the exemplary embodiment shown in Figure 1, in which optical waveguide distribution devices 10 and 11 are positioned laterally next to one another, the first functional regions 15 of these optical waveguide distribution devices 10 and 11 positioned next to one another are separated from one another by directly adjoining side walls 23 and 24 of the adjacent optical waveguide distribution devices 10 and 11.

[0028] In the exemplary embodiment shown in Figure 1, in which the optical waveguide distribution devices 10 and 11 are therefore positioned next to one another, the first functional regions 15 thereof are separated from one another by the side walls 23, 24, but the second functional regions 16 thereof form the continuous cable guide channel 17.

[0029] In addition to the abovementioned side walls 19, 22, 23 and 24, each housing lower part 14 of the housing 12 of each optical waveguide distribution device 10 and 11 furthermore comprises a rear wall 25, via which the respective optical waveguide distribution device 10 or 11 can be fastened on a bearing structure, for example a housing wall. The assemblies 13 for connecting and/or storing the optical waveguides are positioned on this rear wall 25 of the respective housing lower part 14 of the respective optical waveguide distribution device 10, 11.

[0030] Figure 2 shows an embodiment of the invention in which, in turn, two optical waveguide distribution devices are positioned next to one another, but in contrast to the exemplary embodiment shown in Figure 1, the two optical waveguide distribution devices 11 positioned next to one another are of identical design. Otherwise, there are no differences, with the result that reference is made to the statements above so as to avoid unnecessary repetition.

[0031] In the exemplary embodiment shown in Figure 3, a system comprising a plurality of optical waveguide distribution devices is shown which comprises three optical waveguide distribution devices 10 and 11 positioned next to one another, namely the optical waveguide distribution device 10 shown in Figure 1 and, to the left and right of this, identical optical waveguide distribution devices 11. In this case too, the only difference is the number of optical waveguide distribution devices provided or positioned next to one another, with the result that reference is

again made to the exemplary embodiment shown in Figure 1 so as to avoid unnecessary repetition.

[0032] It is therefore part of the present invention to propose a system comprising a plurality of optical waveguide distribution devices, wherein each optical waveguide distribution device comprises at least the two functional regions 15 and 16.

[0033] When optical waveguide distribution devices having the functional regions 15 and 16 are positioned next to one another and/or one above the other, the first functional regions 15 of the optical waveguide distribution devices 10, 11 positioned next to one another and/or one above the other are separated from one another in each case by side walls of the housing lower parts 14; the second functional regions 16 thereof form continuous cable guide channels 17.

[0034] In addition to the housing lower parts 14, each optical waveguide distribution device 10, 11 comprises at least one cover-like housing upper part, or cover.

[0035] In accordance with a first advantageous development of the invention, it is proposed that the first functional region 15 and the second functional region 16 of the housing 12 or housing lower part 14 of each optical waveguide distribution device 10, 11 is closed or covered by a common cover-like housing upper part 26. This is shown in Figure 4.

[0036] This common housing upper part for the first functional regions 15 and second functional regions 16 of the optical waveguide distribution devices 10 and 11 can in this case extend over a plurality of housing lower parts, which are positioned next to one another and/or one above the other, of a plurality of optical waveguide distribution devices, or, as is shown in Figure 4, exclusively over one optical waveguide distribution device 10 or 11.

[0037] Preferred is a development of the invention in which individual cover-like housing upper parts are provided for the first functional regions 15 and the second functional regions 16 of the housing lower parts 14 of the housings 12 of each optical waveguide distribution device 10, 11 in order to individually cover or close the first functional regions 15 and second functional regions 16.

[0038] In this case, an individual housing upper part for a first functional region 15 can then extend over a plurality of first functional regions 15 of a plurality of optical waveguide distribution devices positioned next to one another and/or one above the other in order to close jointly a plurality of first functional regions 15 or to make a plurality of first functional regions 15 accessible jointly for service personnel and fitters. The individual housing upper parts for the second functional regions 16 can likewise extend over a plurality of second functional regions 16 of a plurality of optical waveguide distribution devices positioned next to one another and/or one above the other in order also to make the cable guide channels 17 defined by the second functional regions 16 accessible jointly to service personnel.

[0039] The invention is not restricted to the preferred application of optical waveguide distribution devices. Instead the invention can also be used for other distribution devices for handling other data conductors than optical waveguides, for example for handling copper conductors.

We claim:

1. A system of distribution devices for handling data conductors or junctions between data conductors, the system comprising:
 - a plurality of distribution devices, wherein each distribution device comprises,
 - a housing having assemblies for connecting and/or storing data conductors,
 - and
 - at least two physically and functionally separate functional regions in the housing, wherein a first functional region provides for at least one or more of connecting and storing data conductors, and a second functional region provides exclusively for guiding data cables having the data conductors, the plurality of the distribution devices are positioned next to each other or one above the other, and the second functional regions of the plurality of the distribution devices define a continuous cable guide channel which extends over the plurality of the distribution devices positioned next to each other or one above the other, in order to transfer data cables between the plurality of the distribution devices in the horizontal or vertical direction and in a manner physically separate from the first functional regions.
2. The system of claims 1, wherein the plurality of the distribution devices are positioned next to each other, and wherein the first functional regions of the plurality of distribution devices are separated from one another by adjoining side walls of the housings.
3. The system of claims 1, wherein the plurality of the distribution devices are positioned one above the other, and wherein the first functional regions of the plurality of the distribution devices are separated from one another by adjoining side walls of the housings.
4. The system of claims 1, wherein the first functional region and the second functional region of the housing of each distribution device of the plurality of distribution devices are separated from one another by a side wall of a housing lower part of the respective housing, and wherein the side walls of the housing lower part of each distribution device of the plurality of distribution devices have at least one

aperture for transferring the data cables having the data conductors between the two functional regions.

5. The system of claims 1, wherein the first functional region and the second functional region of the housing of each distribution device of the plurality of distribution devices are closed or covered by a common cover-like housing upper part.

6. The system of claim 5, wherein the common housing upper part extends over housing lower parts of a plurality of distribution devices positioned at least one of next to one another and one above the other.

7. The system of claims 1, wherein the first functional region and the second functional region of the housing of each distribution device of the plurality of distribution devices are closed or covered by an individual cover-like housing upper part.

8. The system of claim 7, wherein the individual housing upper part for the first functional region extends over a plurality of first functional regions of the plurality of distribution devices positioned at least one of next to one another and one above the other.

9. The system of claim 7, wherein the individual housing upper part for the second functional region extends over a plurality of second functional regions of a plurality of distribution devices positioned at least one of next to one another and one above the other.

10. Distribution device, having the features according to any one of Claims 1 to 9.

1/2

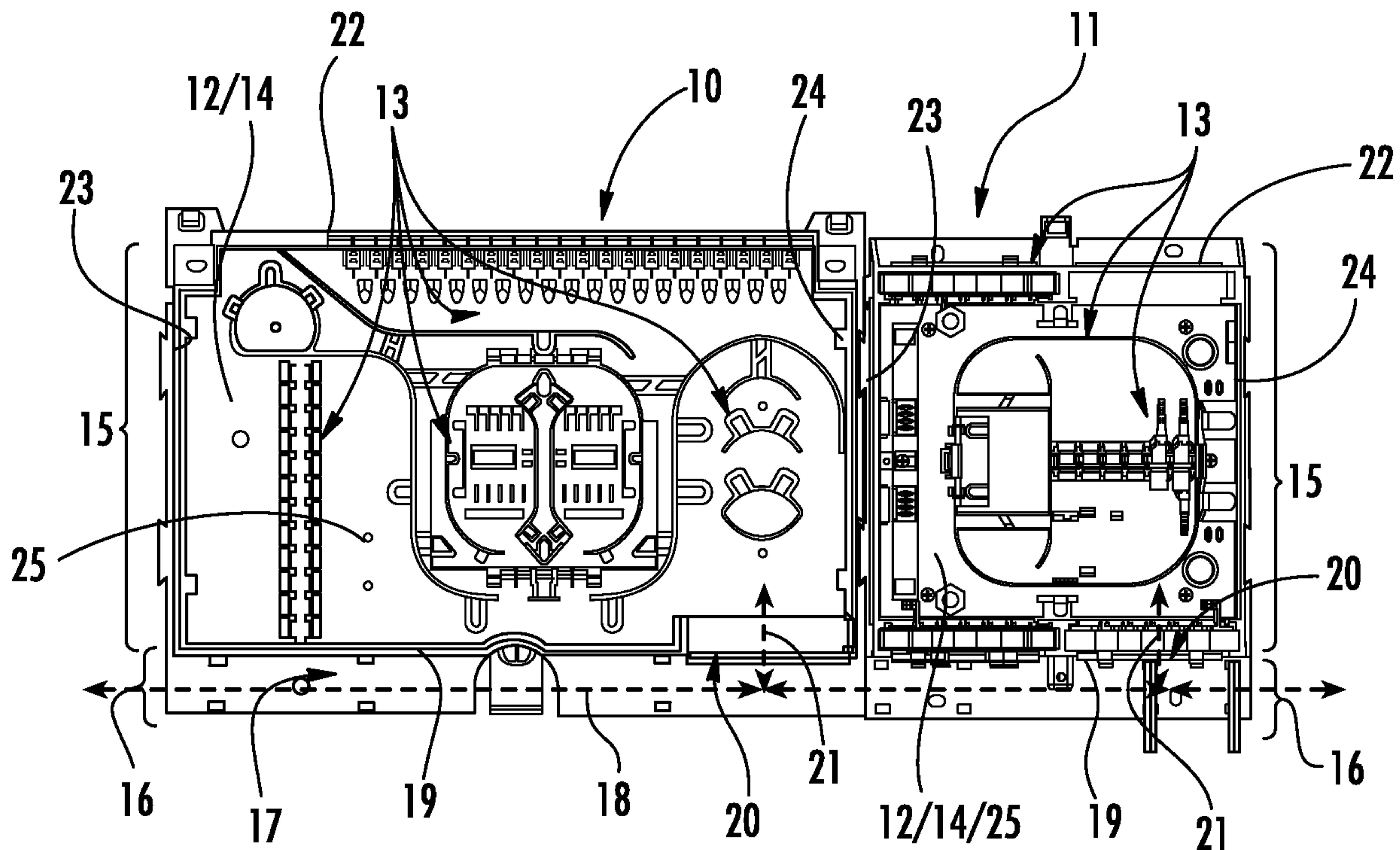


FIG. 1

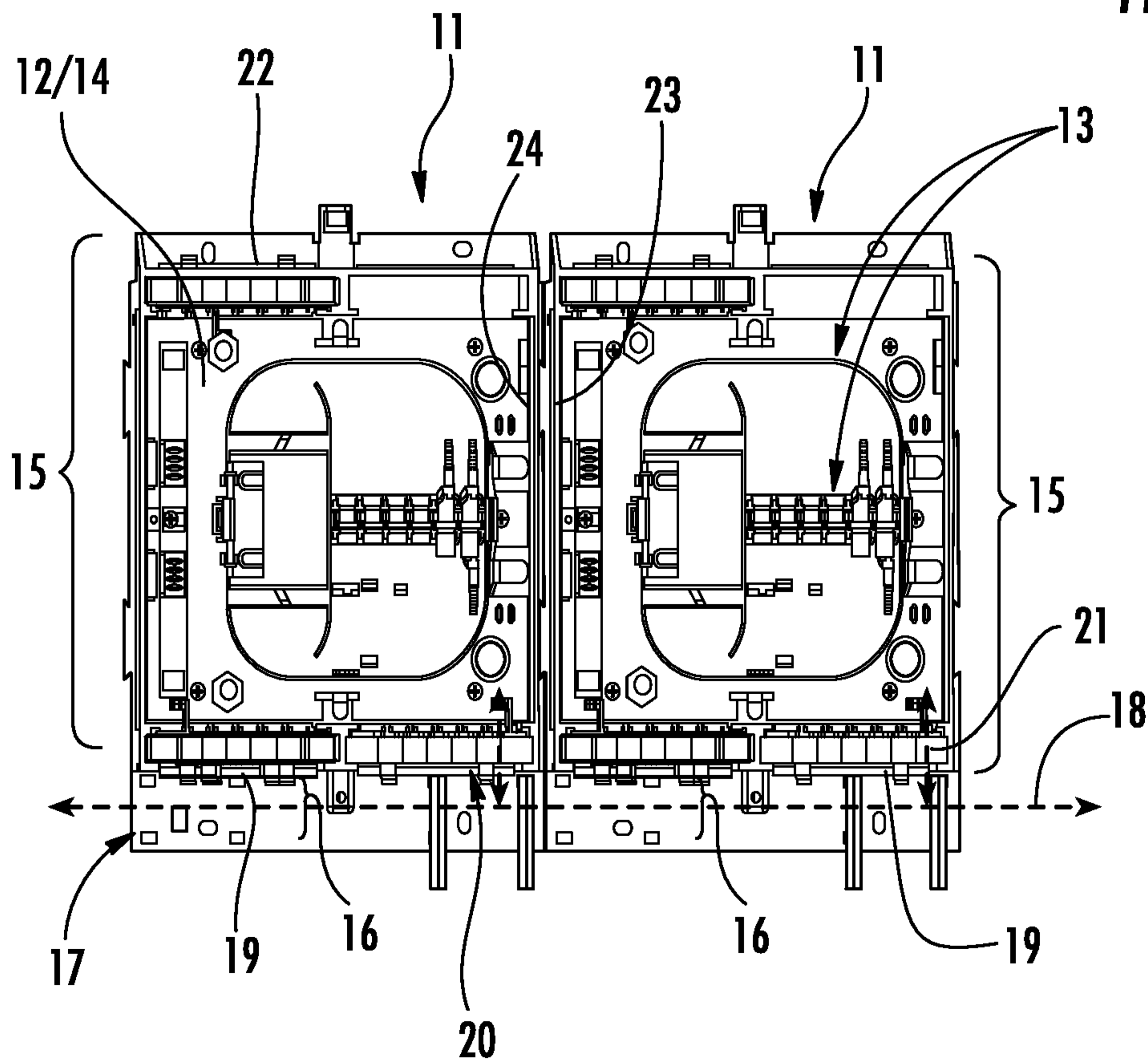


FIG. 2

2/2

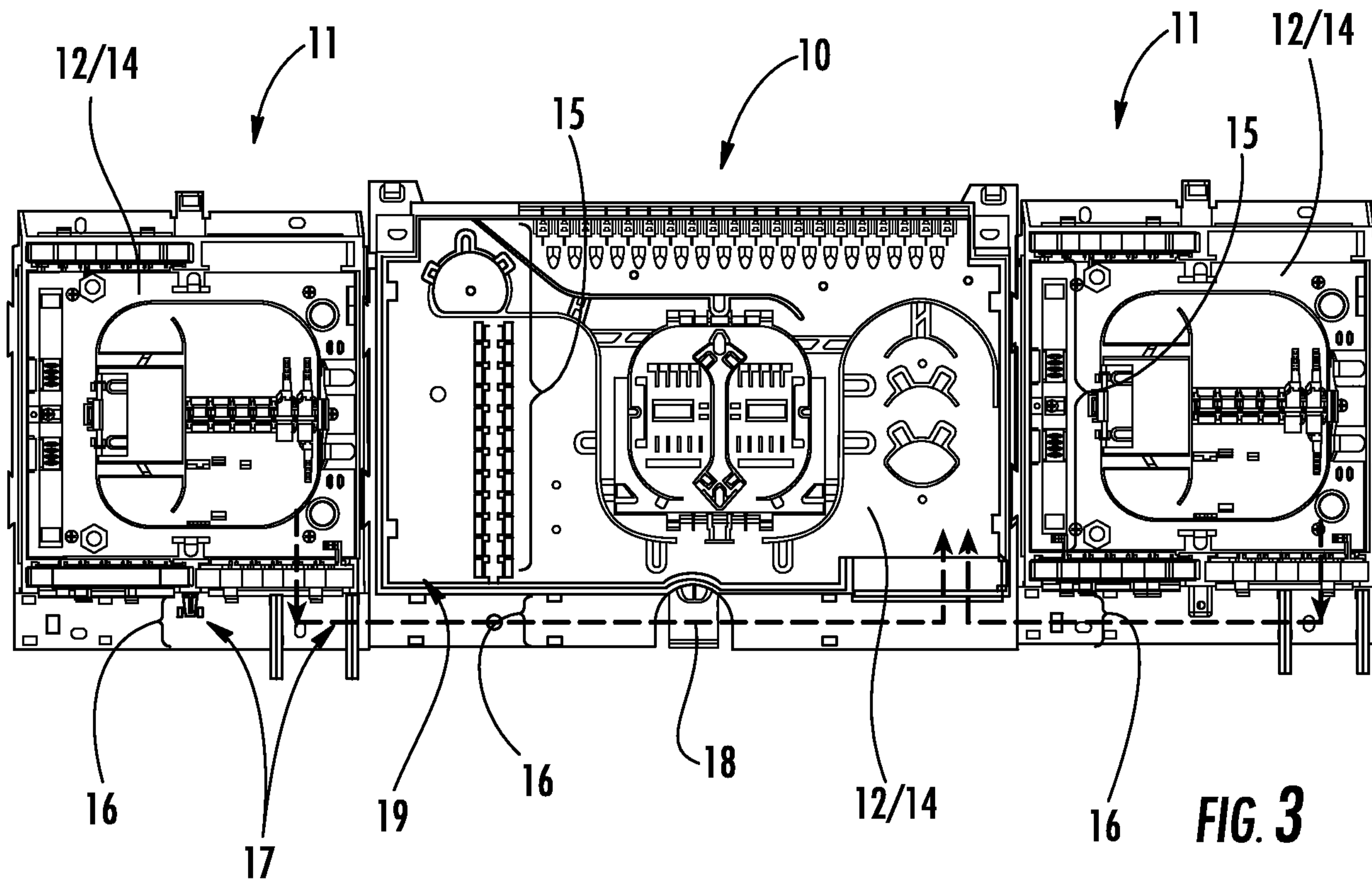


FIG. 3

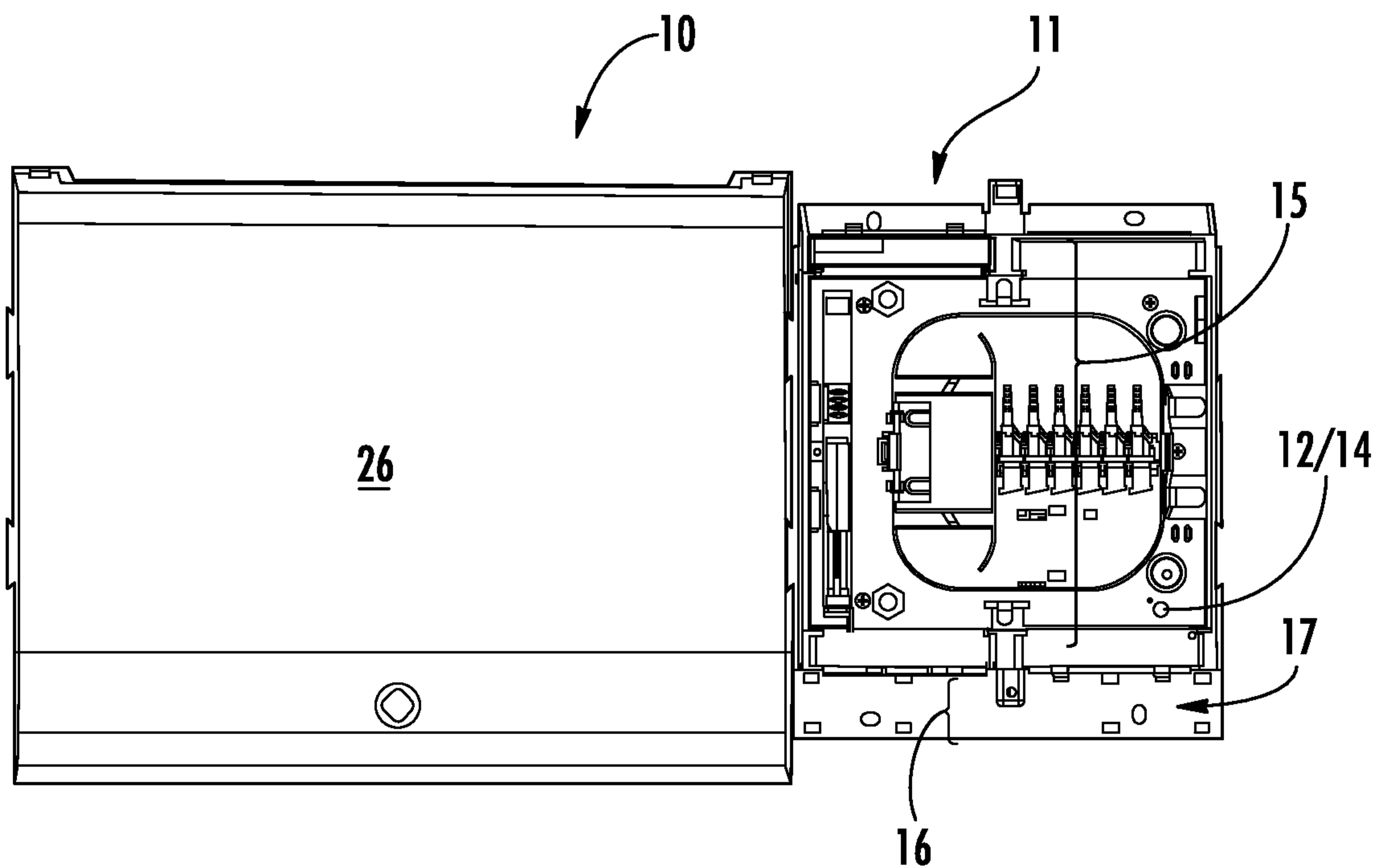


FIG. 4

