



US00D764327S

(12) **United States Design Patent**
Zhang et al.

(10) **Patent No.:** **US D764,327 S**

(45) **Date of Patent:** **** Aug. 23, 2016**

(54) **3 WAY DIGITAL HEIGHT AND DEPTH GAUGE**

(71) Applicants: **Yanchen Zhang**, San Clemente, CA (US); **Meng Zhang**, San Clemente, CA (US)

(72) Inventors: **Yanchen Zhang**, San Clemente, CA (US); **Meng Zhang**, San Clemente, CA (US)

(**) Term: **15 Years**

(21) Appl. No.: **29/528,707**

(22) Filed: **May 31, 2015**

(51) **LOC (10) Cl.** **10-04**

(52) **U.S. Cl.**
USPC **D10/74**

(58) **Field of Classification Search**
USPC D10/65, 70, 74
CPC G01B 7/12; G01B 7/125; G01B 7/13; G01B 7/26; G01B 11/0608; G01B 11/22; G01B 13/065; G01B 13/14; G01B 21/18; G01B 5/061; G01B 5/063; G01B 5/065; G01B 5/18

See application file for complete search history.

(56) **References Cited**

U.S. PATENT DOCUMENTS

7,207,121 B2 *	4/2007	Wixey	G01B 5/061 33/613
7,263,786 B1 *	9/2007	Zanier	G01B 5/061 33/832
7,992,314 B2 *	8/2011	Strack	G01B 5/061 33/503
D678,088 S *	3/2013	Haykeen	D10/70
D727,760 S *	4/2015	Matsumiya	D10/70

* cited by examiner

Primary Examiner — Antoine D Davis

(74) *Attorney, Agent, or Firm* — Let Z. Kwan, Esq.

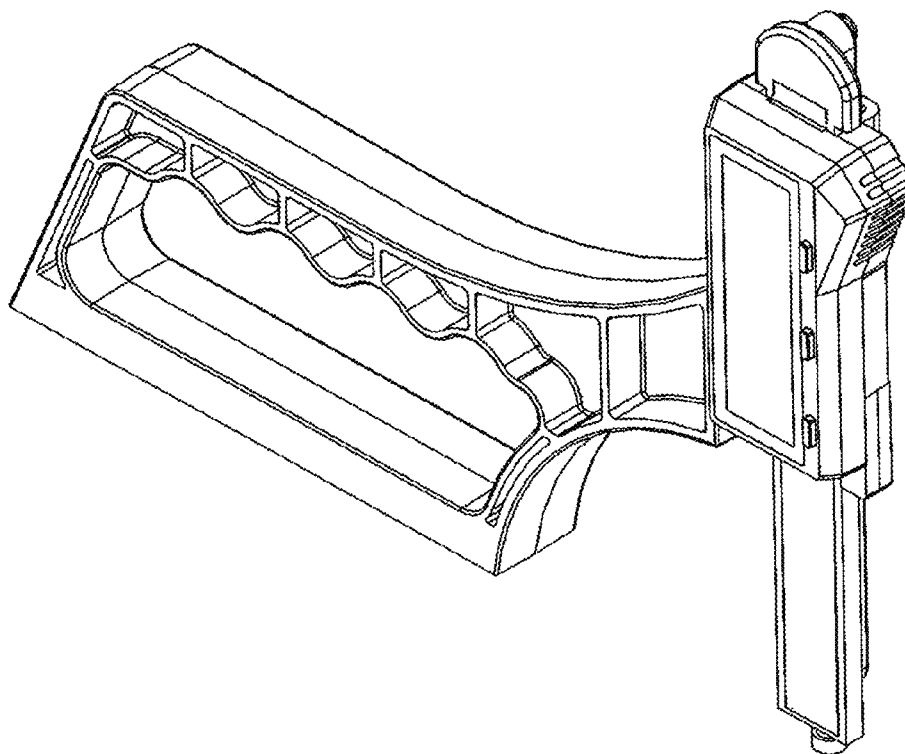
(57) **CLAIM**

The ornamental design for a 3 way digital height and depth gauge, as shown and described.

DESCRIPTION

FIG. 1 is a top, left perspective view of a 3 way digital height and depth gauge showing our new design; FIG. 2 is rear end view thereof; FIG. 3 is a top plan view thereof; FIG. 4 is a head on view thereof; FIG. 5 is a bottom plan view thereof; FIG. 6 is a left side view thereof; and, FIG. 7 is a right side view thereof.

1 Claim, 4 Drawing Sheets



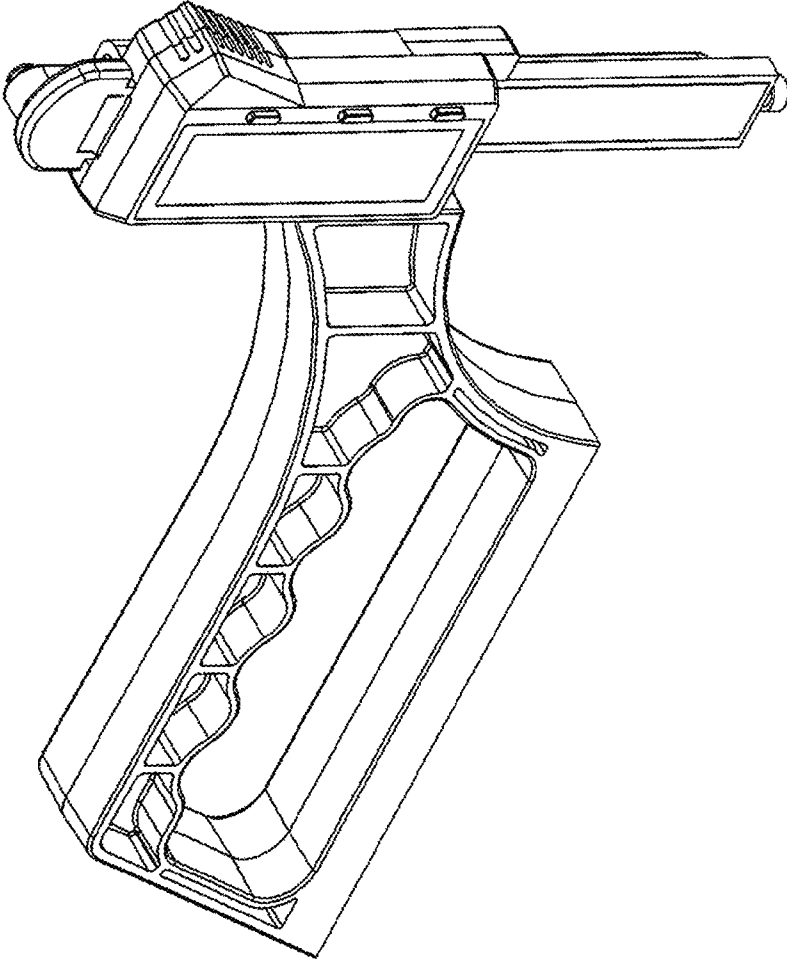


Fig. 1

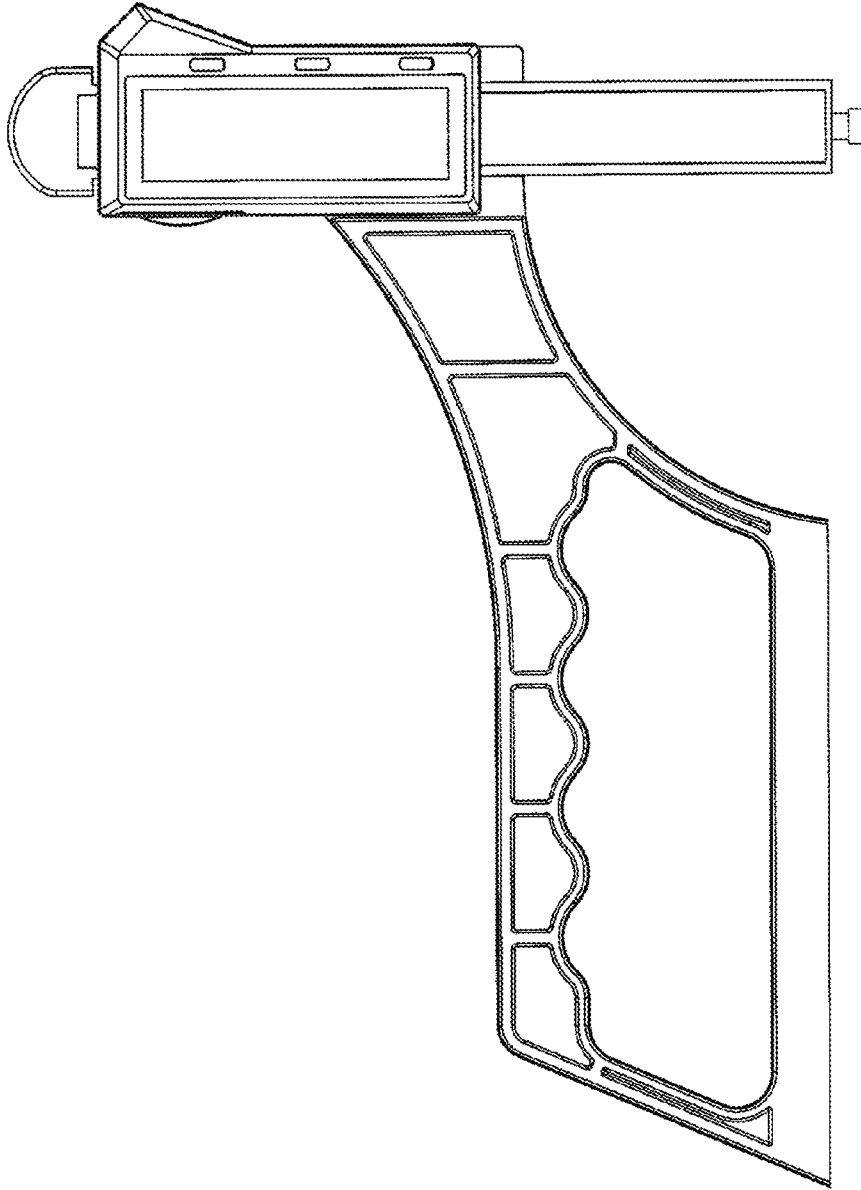


Fig. 3

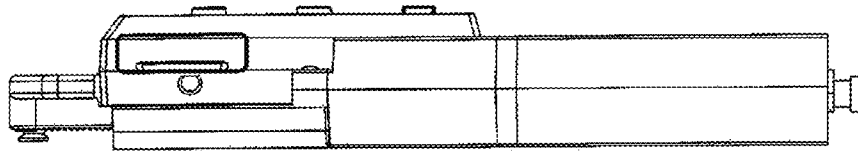


Fig. 2

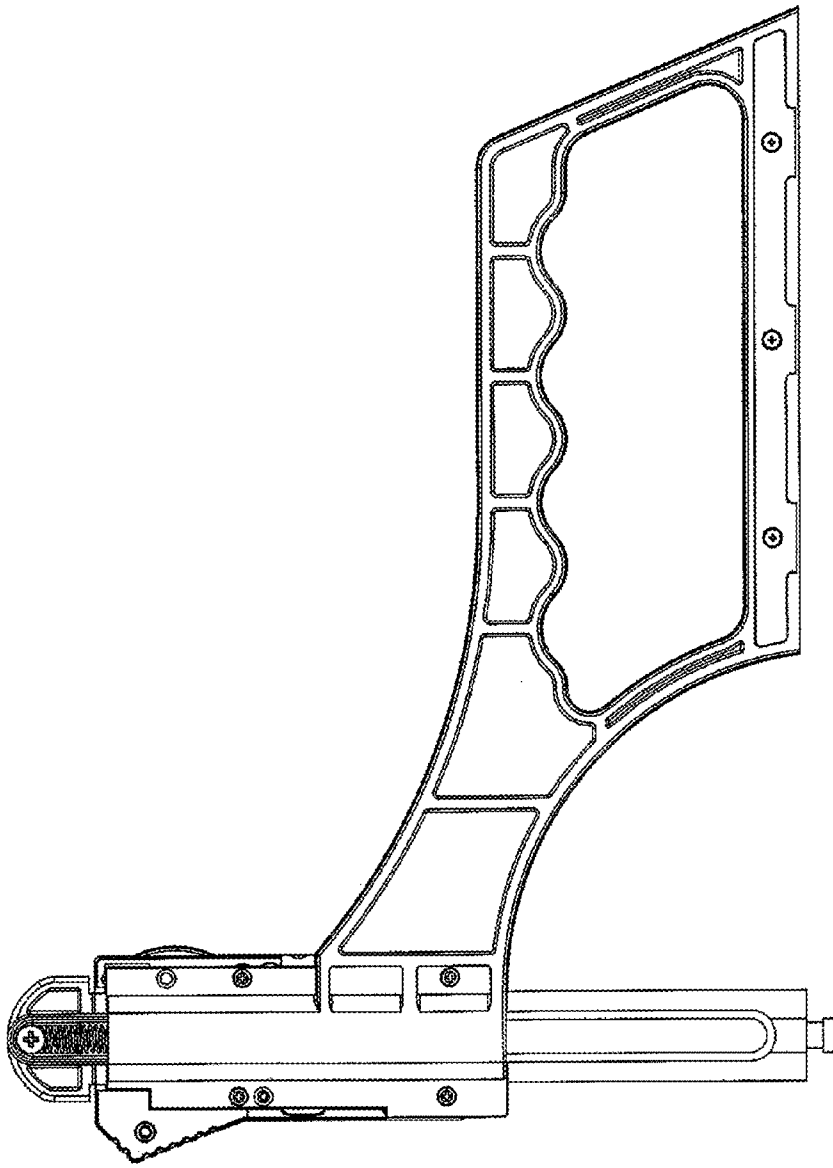


Fig. 5

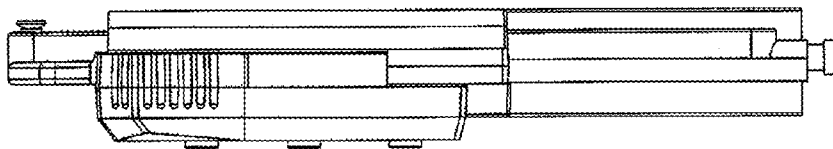


Fig. 4

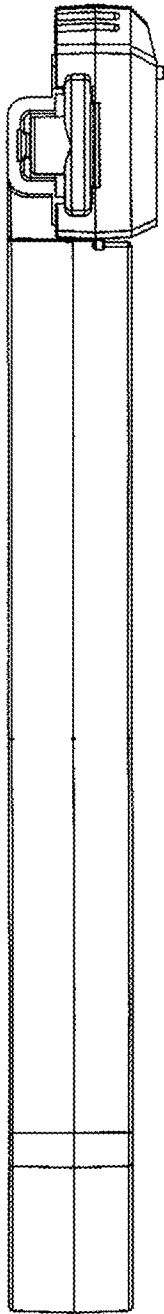


Fig. 6

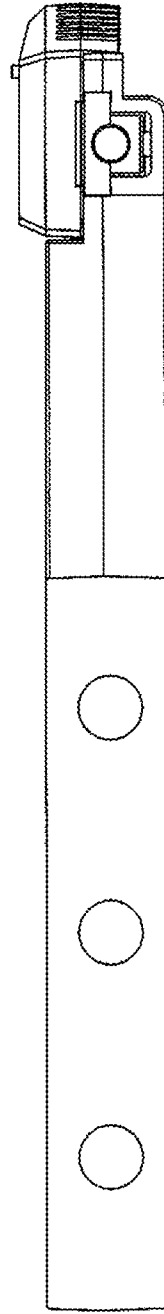


Fig. 7