



US00D348481S

United States Patent [19] Grant

[11] Patent Number: **Des. 348,481**

[45] Date of Patent: **** Jul. 5, 1994**

[54] **CALENDAR**

[76] Inventor: **Marcia Grant, 15 Miller Hill Dr.,
LaGrangeville, N.Y. 12540**

[**] Term: **14 Years**

[21] Appl. No.: **5,025**

[22] Filed: **Feb. 18, 1993**

[52] U.S. Cl. **D19/21**

[58] Field of Search 40/152, 152.1, 120,
40/341, 119, 111, 107, 108, 109, 110; 283/2, 4;
D19/20, 21, 22, 23, 24, 25

[56] **References Cited**

U.S. PATENT DOCUMENTS

D. 247,598	3/1978	Kearney .	
D. 278,109	3/1985	Leeds	D19/91 X
D. 323,185	1/1992	Dupre .	
588,631	8/1817	Brown	40/120
726,979	5/1903	O'Marra	40/109
787,649	4/1905	Turck	40/120
1,107,251	8/1914	Birdsell	40/119
1,469,062	9/1923	Welcker .	
1,972,263	9/1934	Hansen	40/152.1 X
2,324,259	7/1943	Havel .	
2,877,581	3/1959	Wooften	40/119

2,954,625	10/1960	Nichols	40/120
3,836,419	9/1974	Hambergen	40/152.1 X
4,199,883	4/1980	Cross	40/159 X
4,232,462	11/1980	Longenecker .	
4,384,416	5/1983	Kanzelbergen	40/159 X
4,947,564	8/1990	Reece et al. .	
5,033,215	7/1991	Newberry et al. .	
5,062,229	11/1991	Werjefelt .	
5,123,191	6/1992	Kim .	

Primary Examiner—Wallace R. Burke

Assistant Examiner—Pamela Burgess

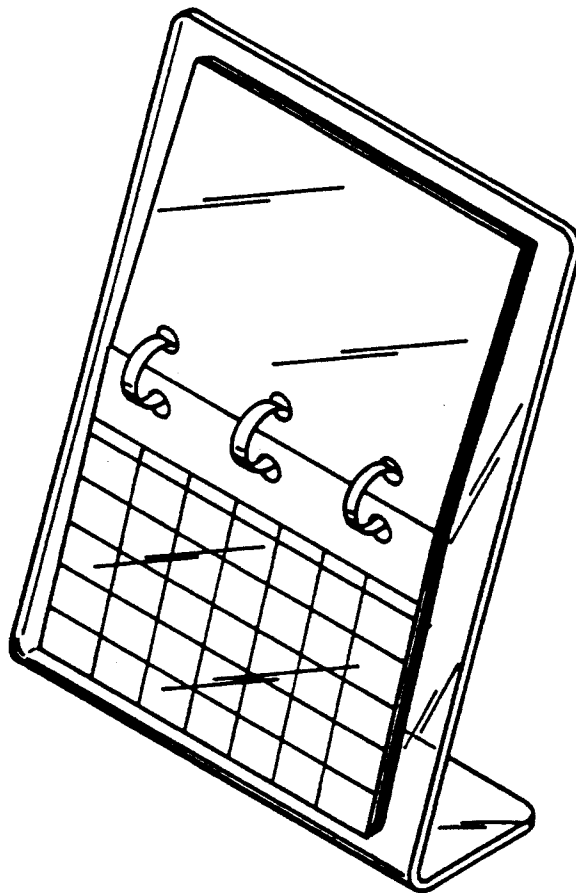
Attorney, Agent, or Firm—Schmeiser, Morelle & Watts

[57] CLAIM

The ornamental design for a calendar, as shown.

DESCRIPTION

FIG. 1 is a plan view of the calendar;
 FIG. 2 is a front elevational view of the calendar;
 FIG. 3 is a side elevational view taken from the right side of the calendar;
 FIG. 4 is a front perspective view taken from above the calendar; and,
 FIG. 5 is a rear perspective view taken from below the calendar.
 The broken line portions of FIG. 2 are for illustrative purposes only and form no part of the claimed design.



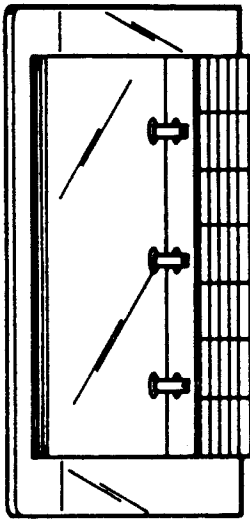


FIG. 1

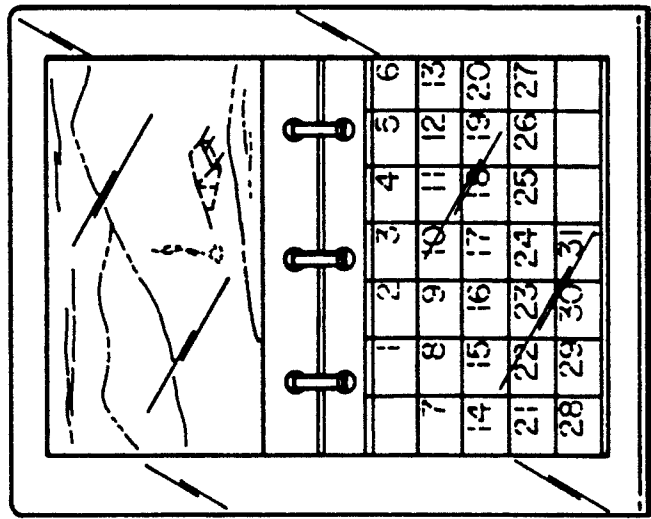


FIG. 2

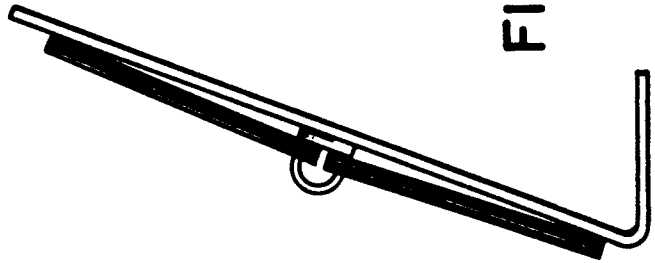


FIG. 3

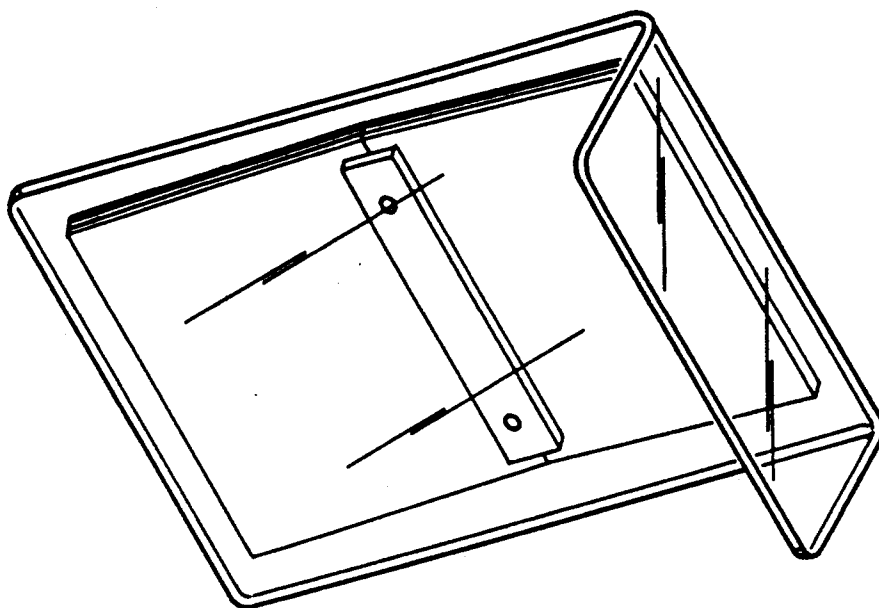


FIG. 5

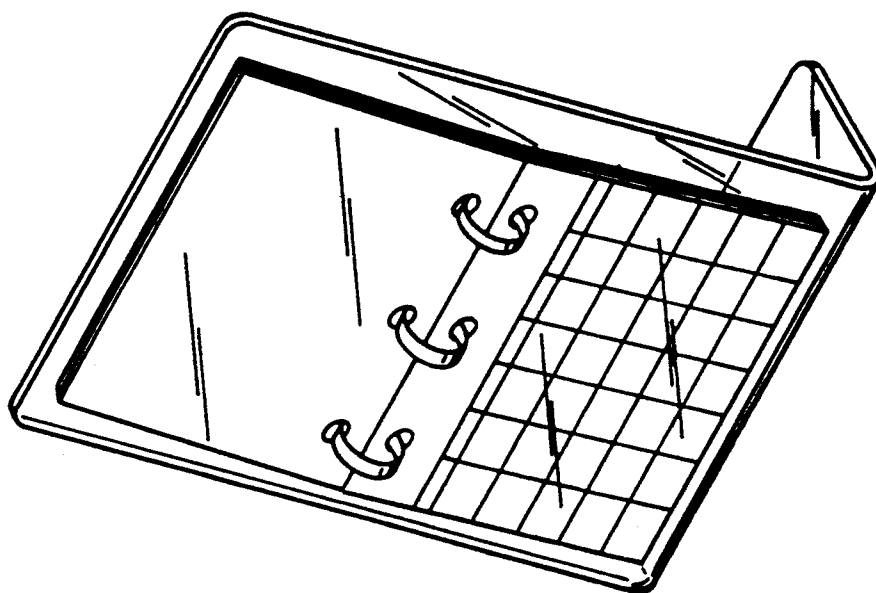


FIG. 4