



US0D1069051S

(12) **United States Design Patent**  
**Yan**

(10) **Patent No.:** **US D1,069,051 S**

(45) **Date of Patent:** **\*\* Apr. 1, 2025**

(54) **ELBOW**

(71) Applicant: **Anping County Kaixuan Stainless Steel Products Co., Ltd., Hebei (CN)**

(72) Inventor: **Shaolong Yan, Hebei (CN)**

(73) Assignee: **Anping County Kaixuan Stainless Steel Products Co., Ltd., Hengshui (CN)**

(\*\*) Term: **15 Years**

(21) Appl. No.: **29/981,911**

(22) Filed: **Jan. 3, 2025**

(51) **LOC (15) Cl.** ..... **23-01**

(52) **U.S. Cl.**  
USPC ..... **D23/263; D23/262**

(58) **Field of Classification Search**  
USPC ..... D23/259–264, 206, 207, 209, 213, 227, D23/229, 230, 235, 237, 244, 249, 253, D23/266–269, 307, 332, 341, 354, 363, D23/386; D8/2, 341, 343, 349, 374–375, D8/381–383, 397–399; D7/553.6, 554.2, D7/665, 667; D12/204, 207–208; D6/301, 313, 325, 328, 512, 545, 682.3, D6/702, 708.11

CPC .... E03C 1/023; E03C 2001/026; F04D 29/00; F04D 29/40; F04D 29/052; F04D 29/04; F04D 13/06; F16L 43/00; F16L 37/0925; F16L 11/00; F16L 9/02; F24H 9/146

See application file for complete search history.

(56) **References Cited**

**U.S. PATENT DOCUMENTS**

- 6,467,812 B1 \* 10/2002 Klemm ..... E04G 21/04 285/55
- 6,499,771 B1 \* 12/2002 Snyder, Sr. .... F16L 37/0925 285/319

- D480,787 S \* 10/2003 Wilk, Jr. .... D23/263
- D482,103 S \* 11/2003 Snyder, Sr. .... D23/263
- D517,666 S \* 3/2006 Wilk, Jr. .... D23/262
- D652,122 S \* 1/2012 Bonhag ..... D23/263
- D676,941 S \* 2/2013 Kluss ..... D23/262
- D712,015 S \* 8/2014 Yu ..... D23/263
- D729,909 S 5/2015 Castrigno
- D731,880 S \* 6/2015 Thrush ..... D8/382
- D738,472 S \* 9/2015 Bednarz ..... D23/263
- D771,780 S 11/2016 Scifres
- D831,174 S \* 10/2018 Lee ..... D23/263
- D831,797 S \* 10/2018 Lee ..... D23/263
- D835,245 S \* 12/2018 Salchi-Bakhtiari ..... D23/263
- D851,739 S \* 6/2019 Naber ..... D23/263
- D908,849 S \* 1/2021 Decaria ..... D23/263
- D971,384 S \* 11/2022 You ..... D23/263
- D999,884 S \* 9/2023 Lee ..... D23/263
- D1,041,623 S \* 9/2024 Gobreski ..... D23/263
- 2001/0045748 A1 \* 11/2001 Muto ..... F16L 37/0926 285/308

(Continued)

*Primary Examiner* — Jennifer Rivard

*Assistant Examiner* — Jonathan E Fiencke

(74) *Attorney, Agent, or Firm* — Nicholas Makridakis

(57) **CLAIM**

The ornamental design for an elbow, as shown and described.

**DESCRIPTION**

FIG. 1 is a perspective view of an elbow showing my new design;

FIG. 2 is another perspective view thereof;

FIG. 3 is a front elevation view thereof;

FIG. 4 is a back elevation view thereof;

FIG. 5 is a left side elevation view thereof;

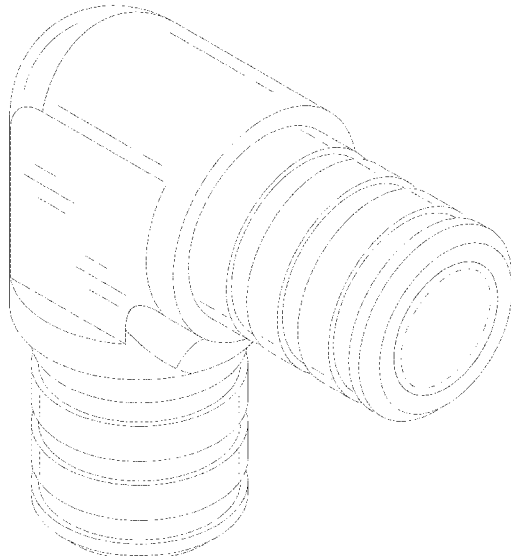
FIG. 6 is a right side elevation view thereof;

FIG. 7 is a top plan view thereof; and,

FIG. 8 is a bottom plan view thereof.

The dash dot broken lines denote the boundaries of the claim and form no part thereof.

**1 Claim, 8 Drawing Sheets**



(56)

**References Cited**

U.S. PATENT DOCUMENTS

2002/0074801 A1\* 6/2002 Chan ..... F16L 43/00  
285/415  
2009/0134619 A1\* 5/2009 Houghton ..... F16L 43/00  
285/39  
2010/0244442 A1\* 9/2010 Jones ..... F16L 37/0925  
285/374  
2020/0224802 A1\* 7/2020 Rook ..... F16L 15/06

\* cited by examiner

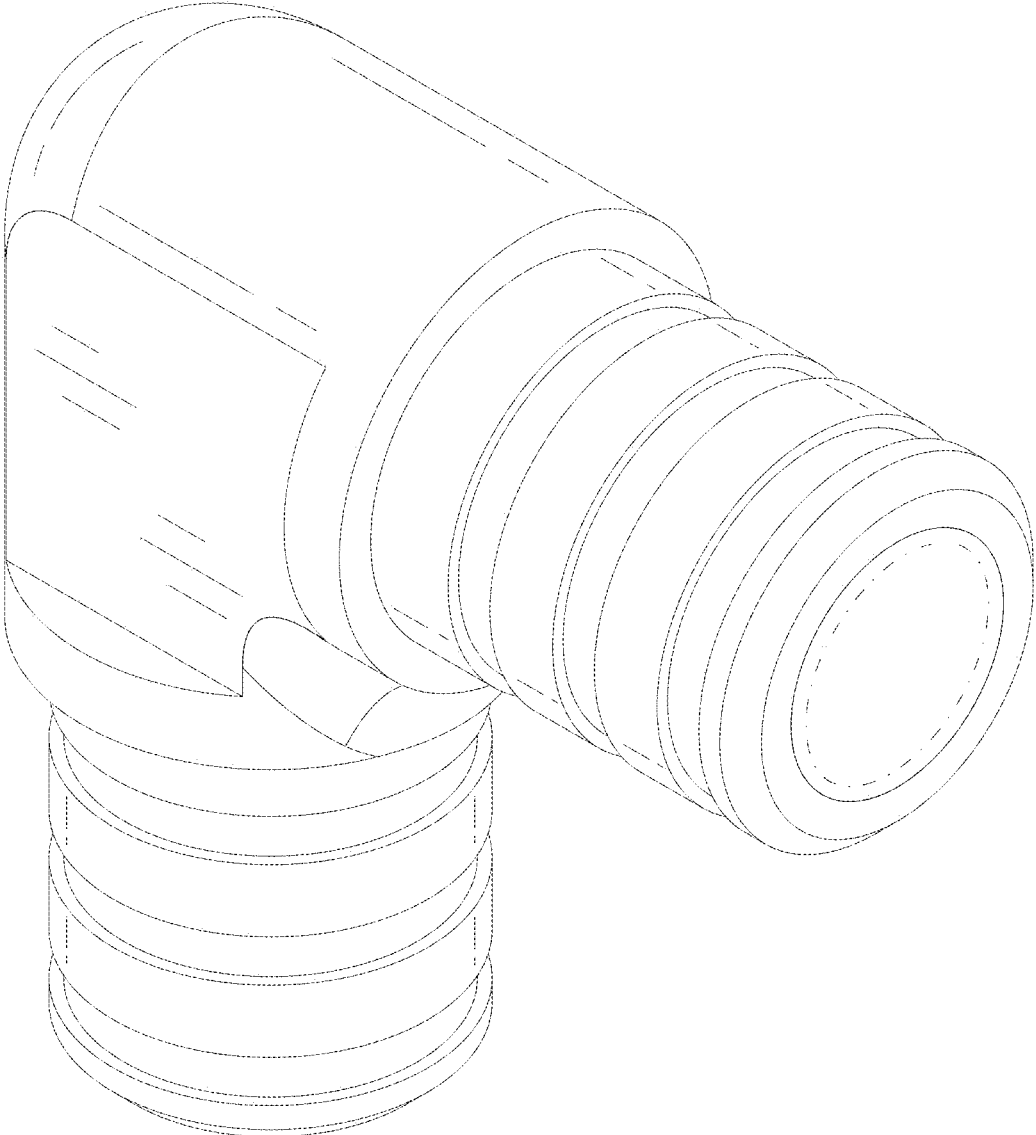


FIG. 1

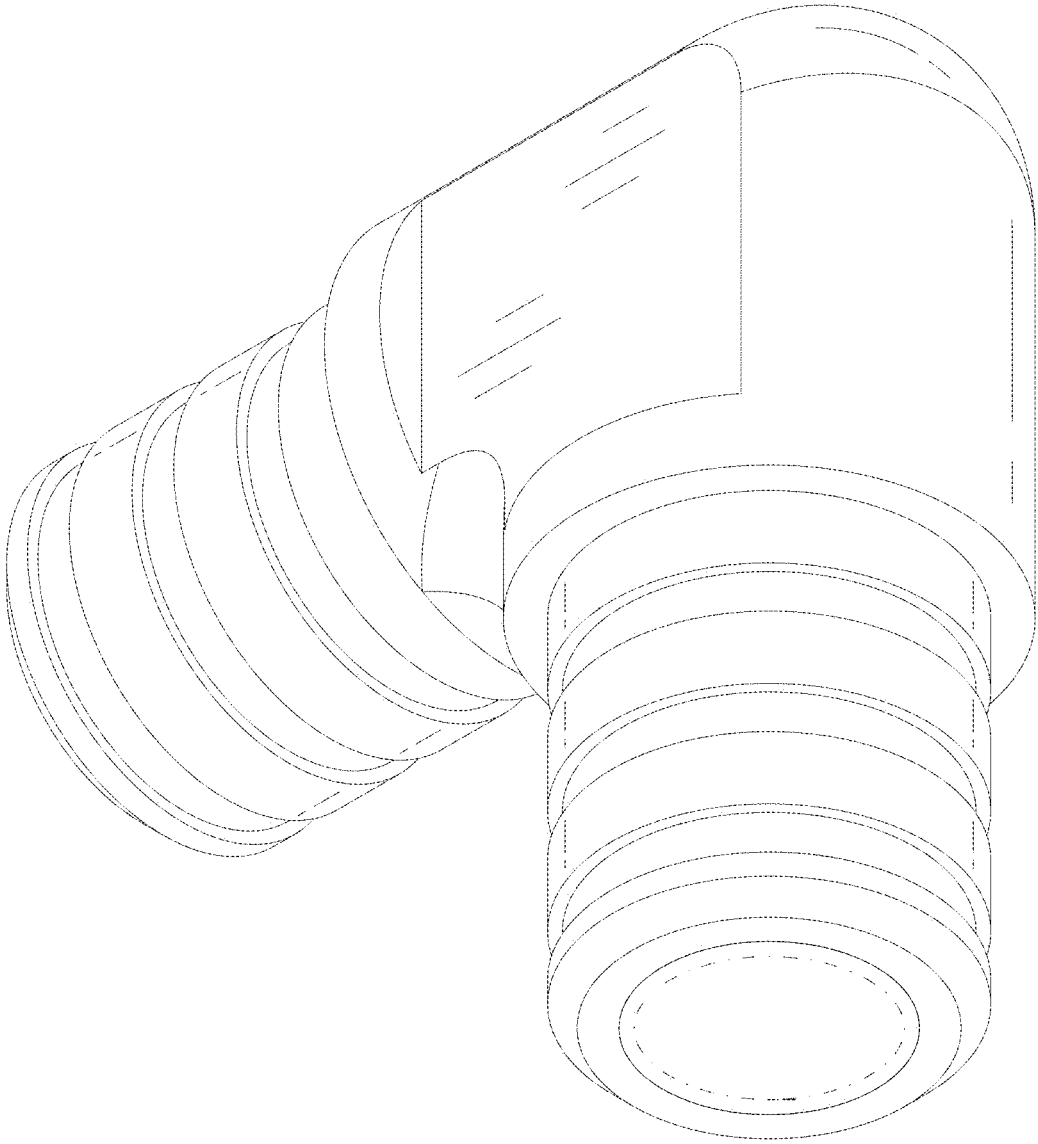


FIG. 2

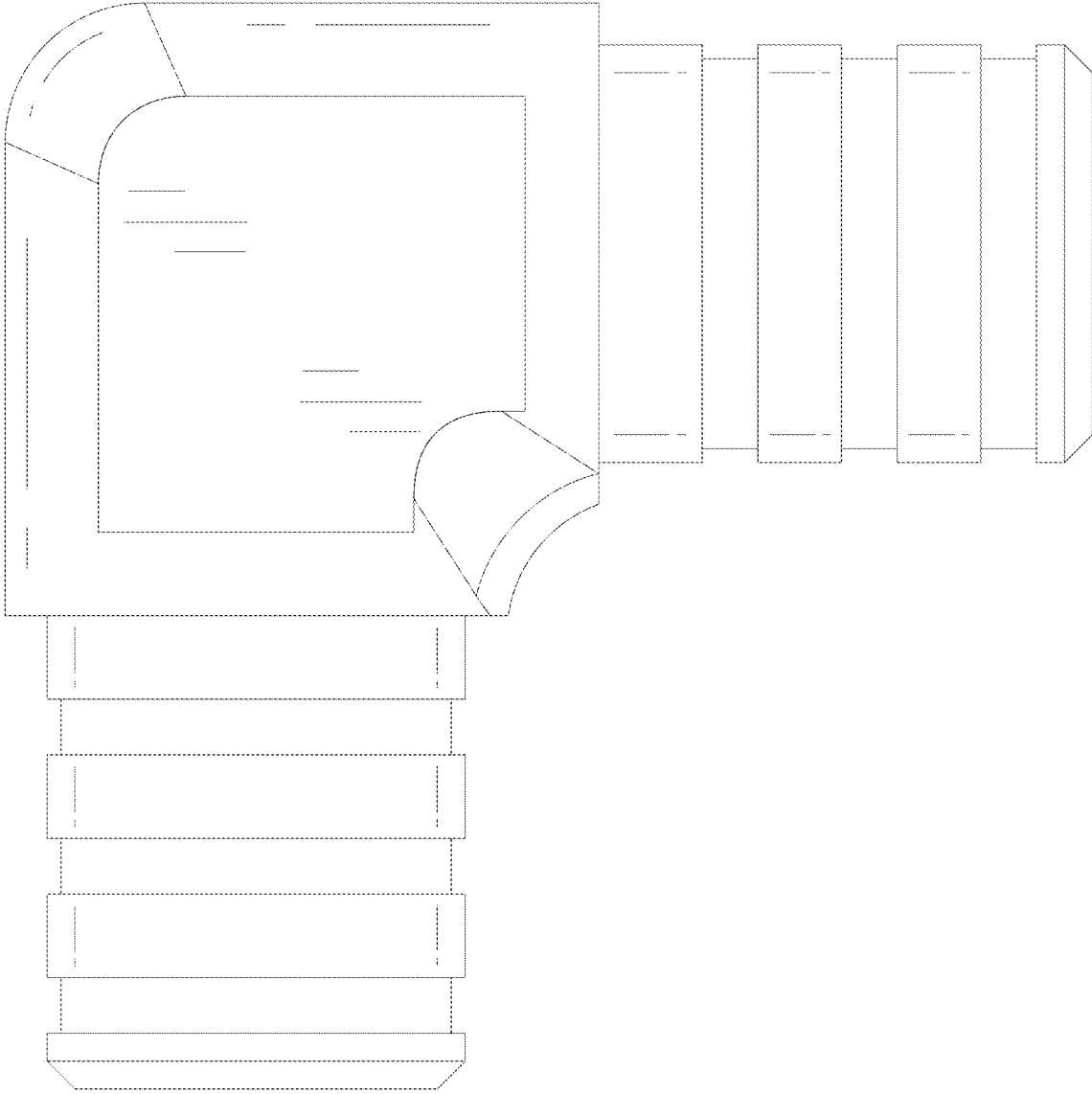


FIG. 3

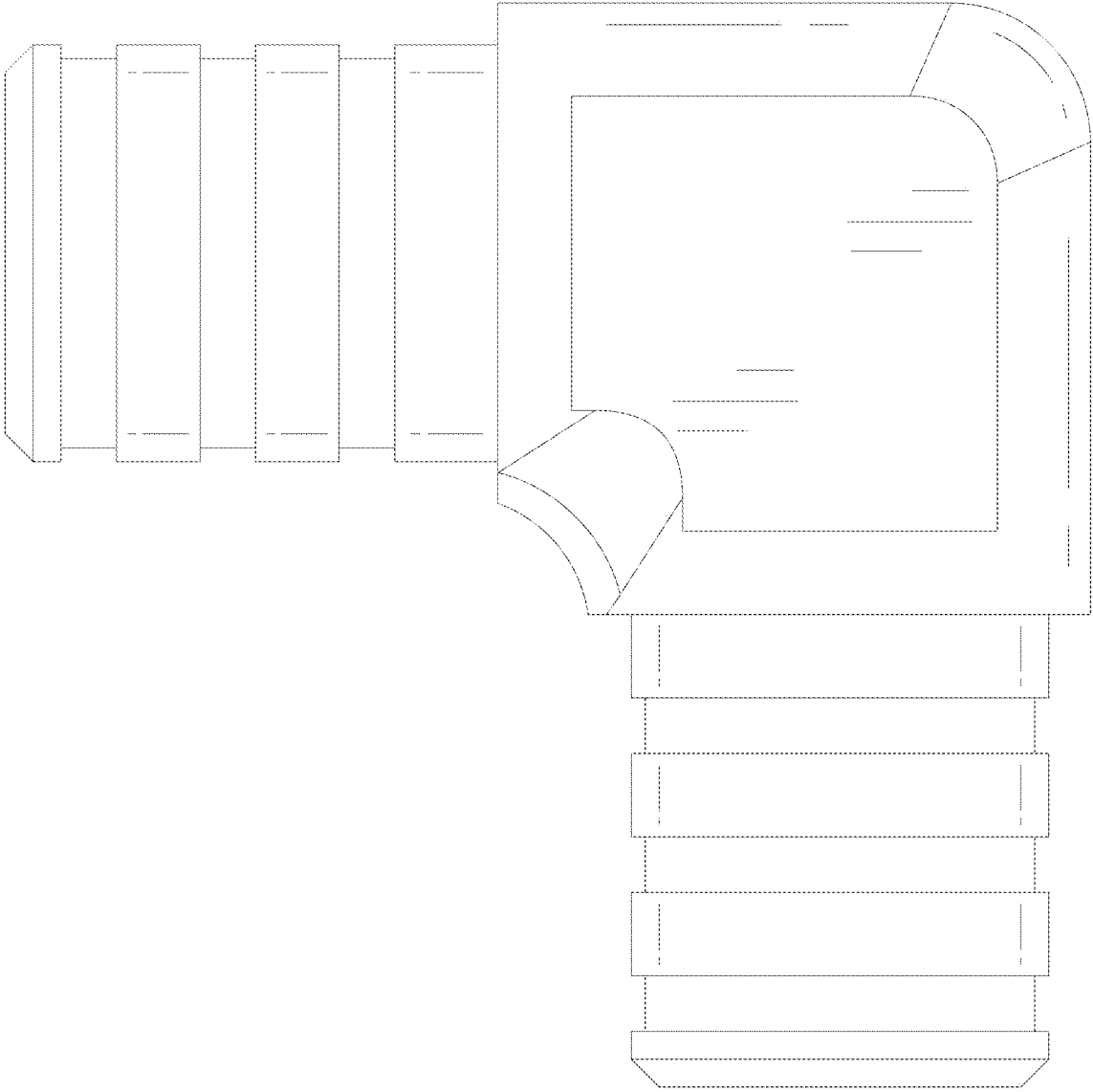


FIG. 4

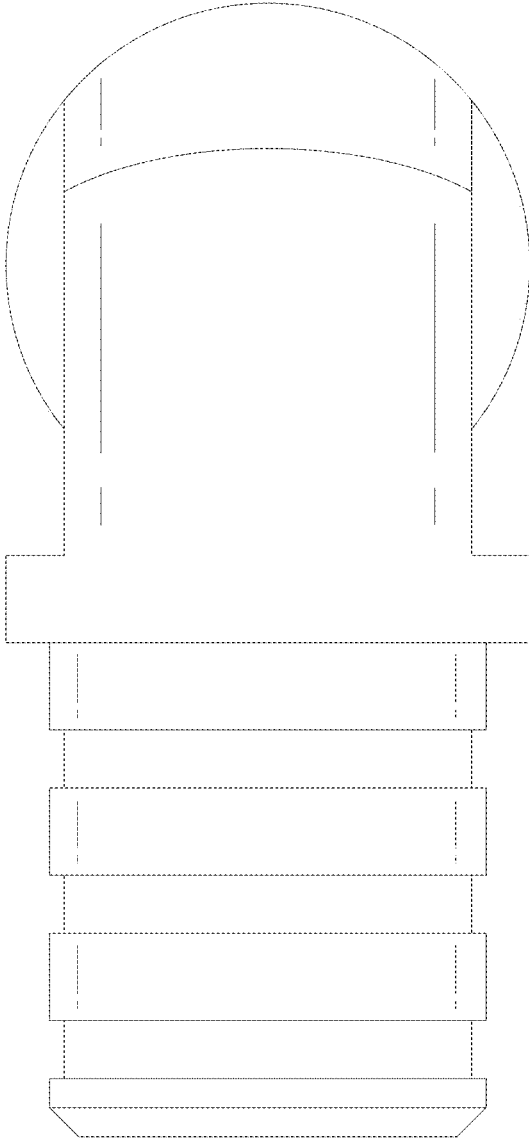


FIG. 5

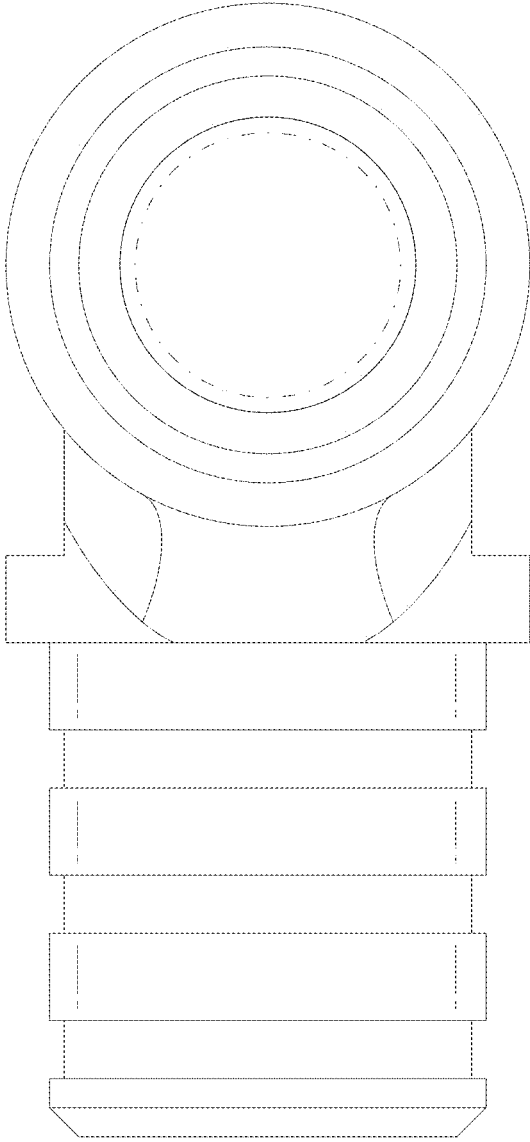


FIG. 6

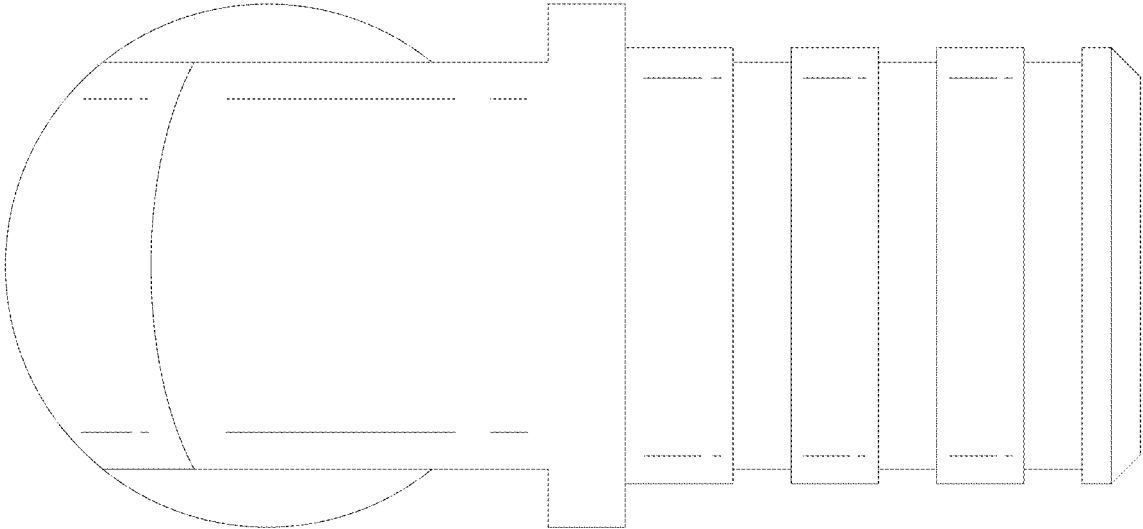


FIG. 7

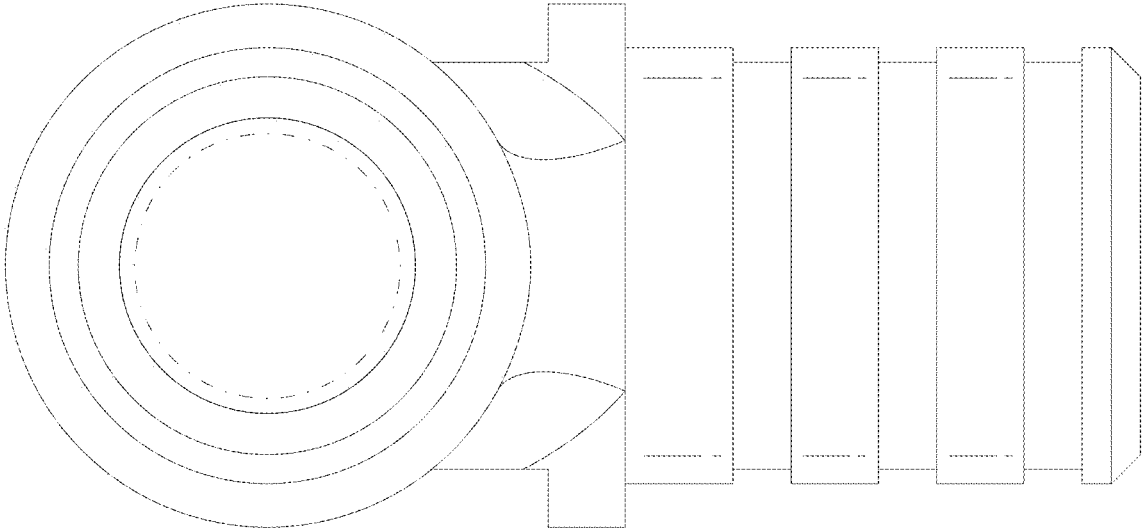


FIG. 8