

(19) World Intellectual Property
Organization
International Bureau



(43) International Publication Date
13 May 2004 (13.05.2004)

PCT

(10) International Publication Number
WO 2004/039239 A3

(51) International Patent Classification⁷: **A61B 17/70**

Concord, CA 94519 (US). MITCHELL, Steve; 776 Duke Circle, Pleasant Hill, CA 94523 (US).

(21) International Application Number:
PCT/US2003/033778

(74) Agent: MEYER, Sheldon, R.; Fliesler Meyer LLP, Four Embarcadero Center, Suite 400, San Francisco, CA 94111-4156 (US).

(22) International Filing Date: 28 October 2003 (28.10.2003)

(25) Filing Language: English

(26) Publication Language: English

(30) Priority Data:
60/421,915 29 October 2002 (29.10.2002) US
10/694,103 27 October 2003 (27.10.2003) US

(81) Designated States (national): AE, AG, AL, AM, AT, AU, AZ, BA, BB, BG, BR, BY, BZ, CA, CH, CN, CO, CR, CU, CZ, DE, DK, DM, DZ, EC, EE, EG, ES, FI, GB, GD, GE, GH, GM, HR, HU, ID, IL, IN, IS, JP, KE, KG, KP, KR, KZ, LC, LK, LR, LS, LT, LU, LV, MA, MD, MG, MK, MN, MW, MX, MZ, NI, NO, NZ, OM, PG, PH, PL, PT, RO, RU, SC, SD, SE, SG, SK, SL, SY, TJ, TM, TN, TR, TT, TZ, UA, UG, UZ, VC, VN, YU, ZA, ZM, ZW.

(71) Applicant: ST. FRANCIS MEDICAL TECHNOLOGIES, INC. [US/US]; 1900 Bates Avenue - Suite L, Concord, CA 94520 (US).

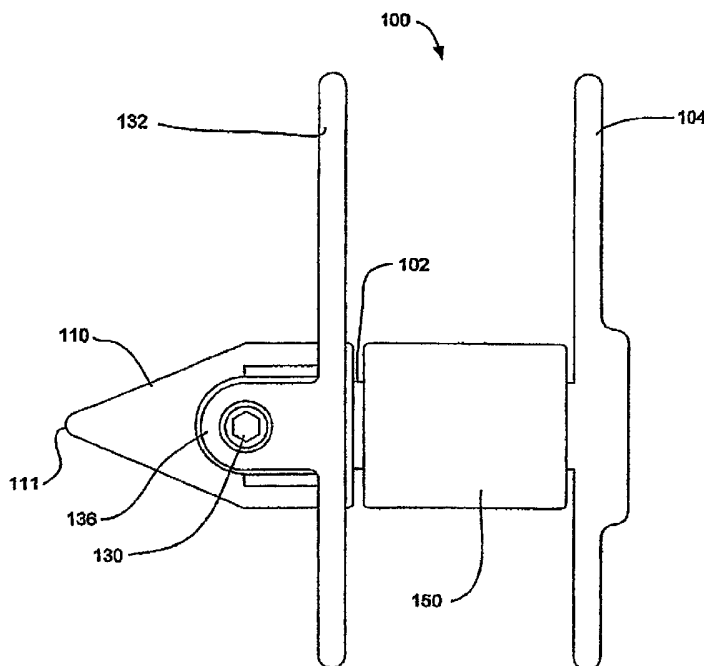
(84) Designated States (regional): ARIPO patent (GH, GM, KE, LS, MW, MZ, SD, SL, SZ, TZ, UG, ZM, ZW), Eurasian patent (AM, AZ, BY, KG, KZ, MD, RU, TJ, TM), European patent (AT, BE, BG, CH, CY, CZ, DE, DK, EE, ES, FI, FR, GB, GR, HU, IE, IT, LU, MC, NL, PT, RO, SE, SI, SK, TR), OAPI patent (BF, BJ, CF, CG, CI, CM, GA, GN, GQ, GW, ML, MR, NE, SN, TD, TG).

(72) Inventors: ZUCHERMAN, James, F.; 3035 Pierce Street, San Francisco, CA 94123 (US). HSU, Ken, Y.; 52 Clarendon Avenue, San Francisco, CA 94114 (US). WINSLOW, Charles, J.; 25 Hilton Court, Walnut Creek, CA 94595 (US). FLYNN, John; 1458 Santa Clara Avenue,

Published:
— with international search report

[Continued on next page]

(54) Title: INTERSPINOUS PROCESS IMPLANT WITH RADIOLUCENT SPACER AND LEAD-IN TISSUE EXPANDER



(57) Abstract: The present invention is directed to an interspinous process device with a deflectable spacer which can be placed between adjacent spinous processes to limit the movement of the vertebrae. The device limits the range of motion of the spinous processes. The spacer and a lead-in distraction guide or tissue expander can be radiolucent.

WO 2004/039239 A3



— *before the expiration of the time limit for amending the claims and to be republished in the event of receipt of amendments*

For two-letter codes and other abbreviations, refer to the "Guidance Notes on Codes and Abbreviations" appearing at the beginning of each regular issue of the PCT Gazette.

(88) Date of publication of the international search report:
23 December 2004

INTERNATIONAL SEARCH REPORT

International application No.

PCT/US03/33778

A. CLASSIFICATION OF SUBJECT MATTER

IPC(7) : A61B 17/70
 US CL : 623/17.11

According to International Patent Classification (IPC) or to both national classification and IPC

B. FIELDS SEARCHED

Minimum documentation searched (classification system followed by classification symbols)
 U.S. : 623/17.11, 17.16; 606/60, 61, 72, 72, 86, 90

Documentation searched other than minimum documentation to the extent that such documents are included in the fields searched

Electronic data base consulted during the international search (name of data base and, where practicable, search terms used)

C. DOCUMENTS CONSIDERED TO BE RELEVANT

Category *	Citation of document, with indication, where appropriate, of the relevant passages	Relevant to claim No.
X	US 5,390,683 A (PISHARODI) 21 February 1995 (21.02.1995), see all Figures and complete specification.	1-71
X	US 6,048,342 A (ZUCHERMAN ET AL) 11 April 2000 (11.04.2000), see all Figures and complete specification.	1-71
X	US 6,068,630 A (ZUCHERMAN ET AL) 30 May 2000 (30.05.2000), see all Figures and complete specification.	1-71
A	US 4,878,915 A (BRANTIGAN) 07 November 1989 (07.11.1989), see all Figures and complete specification.	1-71

Further documents are listed in the continuation of Box C.

See patent family annex.

* Special categories of cited documents:	
"A" document defining the general state of the art which is not considered to be of particular relevance	"T" later document published after the international filing date or priority date and not in conflict with the application but cited to understand the principle or theory underlying the invention
"E" earlier application or patent published on or after the international filing date	"X" document of particular relevance; the claimed invention cannot be considered novel or cannot be considered to involve an inventive step when the document is taken alone
"L" document which may throw doubts on priority claim(s) or which is cited to establish the publication date of another citation or other special reason (as specified)	"Y" document of particular relevance; the claimed invention cannot be considered to involve an inventive step when the document is combined with one or more other such documents, such combination being obvious to a person skilled in the art
"O" document referring to an oral disclosure, use, exhibition or other means	"&" document member of the same patent family
"P" document published prior to the international filing date but later than the priority date claimed	

Date of the actual completion of the international search

04 November 2004 (04.11.2004)

Date of mailing of the international search report

05 NOV 2004

Name and mailing address of the ISA/US

Mail Stop PCT, Attn: ISA/US
 Commissioner for Patents
 P.O. Box 1450
 Alexandria, Virginia 22313-1450

Facsimile No. (703) 305-3230

Authorized officer

Kevin P. Shaver

Telephone No. (703) 308-1148

A. Husley for