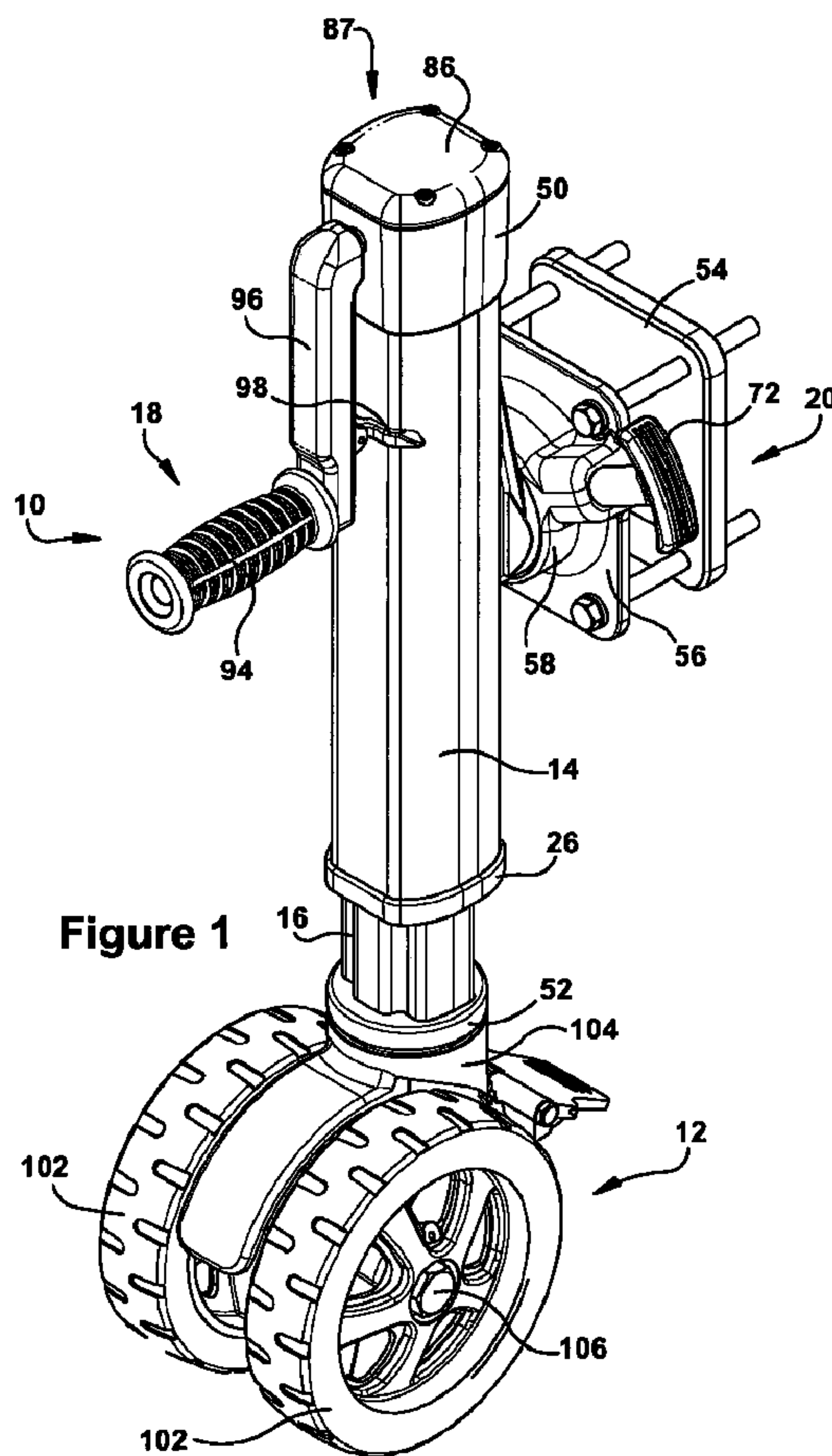




(86) Date de dépôt PCT/PCT Filing Date: 2008/07/16
 (87) Date publication PCT/PCT Publication Date: 2009/01/22
 (85) Entrée phase nationale/National Entry: 2010/01/18
 (86) N° demande PCT/PCT Application No.: US 2008/008676
 (87) N° publication PCT/PCT Publication No.: 2009/011865
 (30) Priorité/Priority: 2007/07/16 (US60/959,718)

(51) Cl.Int./Int.Cl. *B60S 9/08* (2006.01),
B60S 9/04 (2006.01), *B62D 63/08* (2006.01),
B66F 3/10 (2006.01), *B66F 3/16* (2006.01)
 (71) Demandeurs/Applicants:
 CEQUENT TRAILER PRODUCTS, INC., US;
 THROWBRIDGE, TODD, US;
 WALSTROM, TODD, US
 (72) Inventeurs/Inventors:
 BECK, RUSS, US;
 ANDERSON, ERIC, US;
 PESCHMANN, JOE, US;
 OKERLUND, KASH, US
 (74) Agent: MCFADDEN, FINCHAM

(54) Titre : ENSEMBLE CRIC
 (54) Title: JACK ASSEMBLY



(57) Abrégé/Abstract:

An improved jack assembly for use with a trailer tongue of a towed vehicle. The jack assembly including telescoping height adjustment of the assembly, a pivot assembly for pivoting between a vertical and horizontal stowed position, and a clip for

(57) **Abrégé(suite)/Abstract(continued):**

maintaining a handle assembly in a stowed position when not in use. The jack assembly also includes the use of bushings for the telescoping tubes to enhance the sliding movement between the tubes and aid in maintaining the axial alignment of the tubes thereby extending the life of the jack assembly. The pivot assembly further includes an attachment bracket that may be rotated to accommodate at least two different sizes of trailer tongues.

(12) INTERNATIONAL APPLICATION PUBLISHED UNDER THE PATENT COOPERATION TREATY (PCT)

(19) World Intellectual Property Organization
International Bureau(43) International Publication Date
22 January 2009 (22.01.2009)(10) International Publication Number
WO 2009/011865 A3(51) International Patent Classification:
B60S 9/02 (2006.01)

(21) International Application Number:

PCT/US2008/008676

(22) International Filing Date:

16 July 2008 (16.07.2008)

(25) Filing Language:

English

(26) Publication Language:

English

(30) Priority Data:

60/959,718 16 July 2007 (16.07.2007) US

(71) Applicants (for all designated States except US): **CE-QUENT TRAILER PRODUCTS** [US/US]; 1050 Indianhead Drive, Mosinee, WI 54455 (US). **WALSTROM, Todd** [US/US]; 9905 Maplewood Drive, Weston, WI 54476 (US). **THROWBRIDGE, Todd** [US/US]; 3868 Hummingbird Lane, Marathon, WI 54401 (US).

(72) Inventors; and

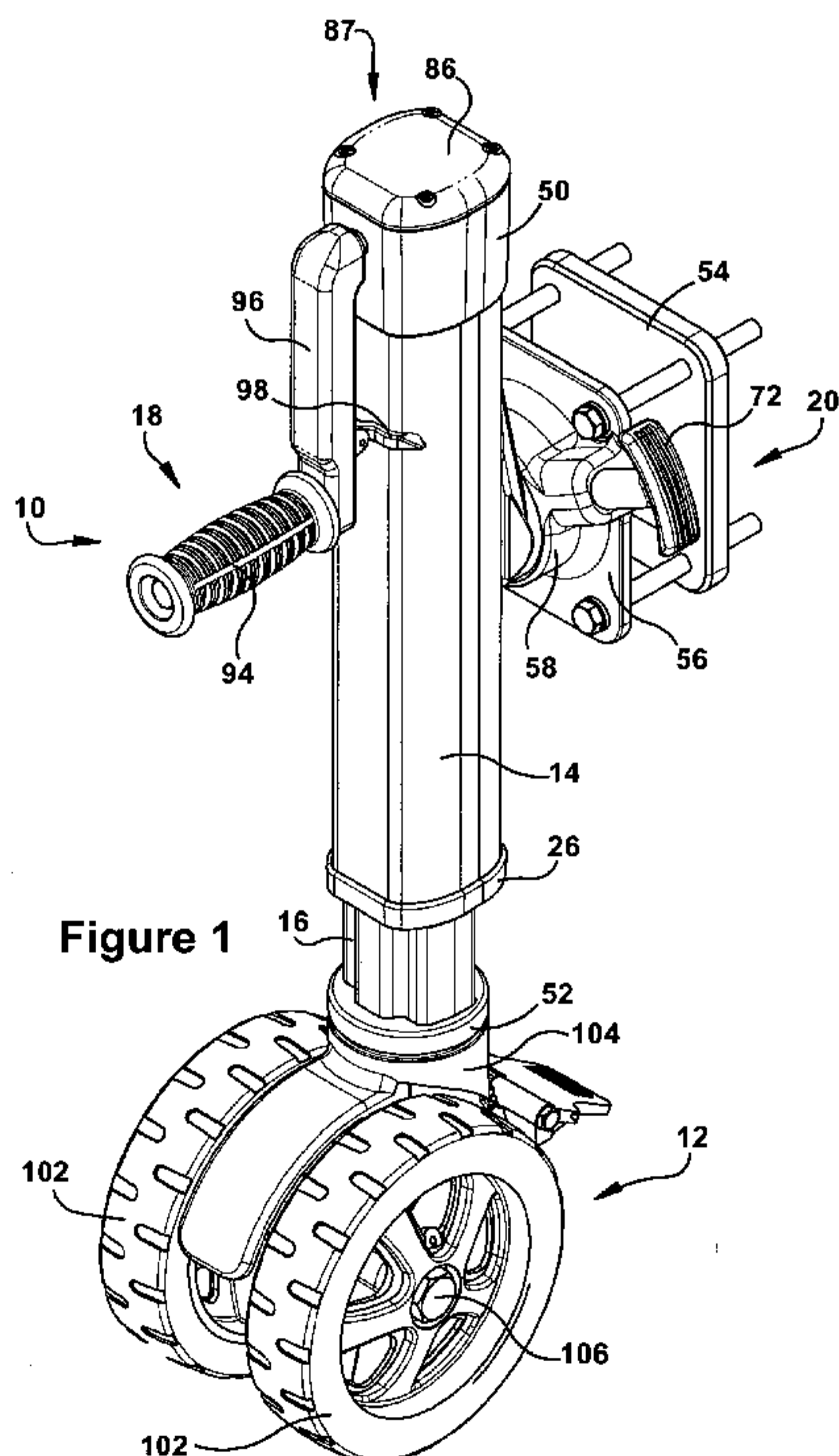
(75) Inventors/Applicants (for US only): **BECK, Russ** [US/US]; 10406 Woodland Drive, Wausau, WI 54401 (US). **ANDERSON, Eric** [US/US]; 2200 Washington Avenue, Plover, WI 54467 (US). **PESCHMANN, Joe**[US/US]; 1522 Dennis Drive, Plover, WI 54467 (US). **OKERLUND, Kash** [US/US]; 8806 Golloway Drive, Wiittenberg, WI, 54499 (US).(74) Agent: **PRIBISICH, Risto**; Mcdonald Hopkins LLC, 600 Superior Avenue, Suite 2100, Cleveland, OH 44114 (US).

(81) Designated States (unless otherwise indicated, for every kind of national protection available): AE, AG, AL, AM, AO, AT, AU, AZ, BA, BB, BG, BH, BR, BW, BY, BZ, CA, CH, CN, CO, CR, CU, CZ, DE, DK, DM, DO, DZ, EC, EE, EG, ES, FI, GB, GD, GE, GH, GM, GT, HN, HR, HU, ID, IL, IN, IS, JP, KE, KG, KM, KN, KP, KR, KZ, LA, LC, LK, LR, LS, LT, LU, LY, MA, MD, ME, MG, MK, MN, MW, MX, MY, MZ, NA, NG, NI, NO, NZ, OM, PG, PH, PL, PT, RO, RS, RU, SC, SD, SE, SG, SK, SL, SM, ST, SV, SY, TJ, TM, TN, TR, TT, TZ, UA, UG, US, UZ, VC, VN, ZA, ZM, ZW.

(84) Designated States (unless otherwise indicated, for every kind of regional protection available): ARIPO (BW, GH, GM, KE, LS, MW, MZ, NA, SD, SL, SZ, TZ, UG, ZM, ZW), Eurasian (AM, AZ, BY, KG, KZ, MD, RU, TJ, TM), European (AT, BE, BG, CH, CY, CZ, DE, DK, EE, ES, FI, FR, GB, GR, HR, HU, IE, IS, IT, LT, LU, LV, MC, MT, NL, NO, PL, PT, RO, SE, SI, SK, TR), OAPI

[Continued on next page]

(54) Title: JACK ASSEMBLY



(57) Abstract: An improved jack assembly for use with a trailer tongue of a towed vehicle. The jack assembly including telescoping height adjustment of the assembly, a pivot assembly for pivoting between a vertical and horizontal stowed position, and a clip for maintaining a handle assembly in a stowed position when not in use. The jack assembly also includes the use of bushings for the telescoping tubes to enhance the sliding movement between the tubes and aid in maintaining the axial alignment of the tubes thereby extending the life of the jack assembly. The pivot assembly further includes an attachment bracket that may be rotated to accommodate at least two different sizes of trailer tongues.

WO 2009/011865 A3



(BF, BJ, CF, CG, CI, CM, GA, GN, GQ, GW, ML, MR,
NE, SN, TD, TG).

— *before the expiration of the time limit for amending the
claims and to be republished in the event of receipt of
amendments (Rule 48.2(h))*

Published:

— *with international search report (Art. 21(3))*

(88) Date of publication of the international search report:
27 August 2009

TITLE
JACK ASSEMBLY

CROSS-REFERENCE TO RELATED APPLICATIONS

[0001] This application claims benefit from U.S. Provisional Patent Application No. 60/959,718, entitled "Jack Assembly," filed on July 16, 2007, which is hereby incorporated in its entirety by reference.

FIELD OF THE INVENTION

[0002] The present invention relates generally to jack assemblies and, more particularly, to improvements to jack assemblies.

BACKGROUND OF THE INVENTION

[0003] Jacks and jack assemblies have long been used with towing trailers. Typically, a jack assembly is secured to a towing trailer and assists in stabilizing a towing trailer while the trailer is detached from a towing vehicle. In addition, a jack assembly often assists in engaging a towing trailer with a towing vehicle or disengaging a towing trailer from a towing vehicle. A jack assembly may be utilized to maintain a towing trailer in a level position when the trailer is disengaged from a towing vehicle by elevate one end of the trailer off the ground. A jack assembly may also be utilized to change the vertical position or height of the tongue of a trailer as the tongue is

mounted onto or dismounted from the hitch of a towing vehicle. Such jack assemblies are commonly pivotally mounted onto the trailer tongue so as to be pivotally moveable between a vertical position and a horizontal position. The horizontal position often allows the jack assembly to be stowed when the jack assembly is not in use.

SUMMARY OF THE INVENTION

[0004] The invention generally relates to a jack assembly for a towed vehicle. The jack assembly may include an inner tube and an outer tube, where the outer tube is capable of telescopic movement along the inner tube. The outer tube may include a slot that runs the length of the outer tube. The jack assembly may also include a bushing that may be positioned between the inner tube and the outer tube such that a portion of the bushing is positioned between the tubes so that the tubes do not touch one another. In addition, the jack assembly may include a jackscrew, a gear housing, handle assembly, a pivot assembly, and a wheel assembly. The jackscrew may be located within the inner tube that is operatively connected to a jack nut that is attached to the bushing. The gear assembly may be located adjacent the upper tend of the inner tube or outer tube. The handle assembly may be connected to the gear housing, where rotation of the handle assembly causes the outer tube to move telescopically along the inner tube. The pivot assembly may be slidably connected to the outer tube by a slide block that is rotatably connected to a pivot block, where the pivot assembly also includes a pivot housing and an attachment bracket for mounting to a trailer tongue.

DESCRIPTION OF THE DRAWINGS

[0005] Operation of the invention may be better understood by reference to the following detailed description taken in connection with the following illustrations, wherein:

[0006] Figure 1 illustrates a perspective view of an embodiment of a jack assembly with a dual wheel caster assembly.

[0007] Figure 2 illustrates a perspective view of an embodiment of a jack assembly with a single wheel caster assembly.

[0008] Figure 3 illustrates an exploded view of an embodiment of a jack assembly with a dual wheel caster assembly.

[0009] Figure 4 illustrates a cross-sectional view of a jack assembly with a single wheel caster assembly.

[0010] Figure 5 illustrates a cross-sectional view of an outer tube of a jack assembly.

[0011] Figure 6 illustrates a cross-sectional view of an inner tube of a jack assembly.

[0012] Figure 7 illustrates a cross-sectional view of an inner tube positioned within an outer tube of a jack assembly.

[0013] Figure 8A illustrates a perspective view of an outer tube bushing of a jack assembly.

[0014] Figure 8B illustrates a topside view of an outer tube bushing of a jack assembly.

[0015] Figure 9A illustrates a perspective view of an inner tube bushing of a jack assembly.

[0016] Figure 9B illustrates a topside view of an outer tube bushing of a jack assembly.

[0017] Figure 10 illustrates a perspective view of a jack assembly attached to the tongue of a towing trailer with the jack assembly in the stowed position.

[0018] Figure 11 illustrates a perspective view of a jack assembly attached to the tongue of a towing trailer with the jack assembly in an operational position.

[0019] Figure 12 illustrates a partial perspective view of a jack assembly attached to the tongue of a towing trailer with the jack assembly in an operational position.

[0020] Figure 13 illustrates a side view of a jack assembly.

[0021] Figure 14 illustrates a perspective view of a jack assembly.

[0022] Figure 15 illustrates a schematic view of an attachment bracket of a jack assembly.

[0023] Figure 16 illustrates a perspective view of a jack assembly welded to a tongue of a towing trailer.

[0024] Figure 17 illustrates a front view of a jack assembly.

[0025] Figure 18 illustrates a perspective view of a handle assembly of a jack assembly.

[0026] Figure 19 illustrates a perspective view of a dual wheel caster assembly of a jack assembly.

DETAILED DESCRIPTION

[0027] While the present invention is described with reference to embodiments

described herein, it should be clear that the present invention should not be limited to such embodiments. Therefore, the description of the embodiments herein is only illustrative of the present invention and should not limit the scope of the invention as claimed.

[0028] Figures 1 through 19 illustrate jack assemblies that include a number of novel improvements over jack assemblies currently known in the art. For example, Figure 1 illustrates a perspective view of an exemplary embodiment of a jack assembly 10. The jack assembly 10 includes a dual wheel caster assembly 12, an outer tube 14, an inner tube 16, a handle assembly 18, and a pivot assembly 20. Figure 2 illustrates another exemplary embodiment of a jack assembly 22. The embodiment illustrated in Figure 2 is substantially similar to the embodiment illustrated in Figure 1, with the exception of the jack assembly 22 including a single wheel caster assembly 24 in place of a dual wheel caster assembly 12. Throughout this detailed description, reference will be made to jack assemblies 10, 22. With the exception of the caster assemblies 12, 24, the descriptions of the components and functionality of jack assemblies apply equally to jack assemblies 10 with dual wheel caster assemblies 12 and jack assemblies 22 with single wheel caster assemblies 24.

[0029] Figure 3 illustrates an exploded view of the jack assembly 10 with a dual wheel caster assembly 12. The jack assembly 10 is arranged such that the inner tube 16 is assembled at least partially within the outer tube 14, and the outer tube 14 is capable of telescopic movement along the inner tube 16. Generally, telescopic movement of the outer tube 14 relative to the inner tube 16 allows for adjustment of the height of the jack assembly 10. Typically, a user of the jack assembly 10 may want to alter the height of the jack assembly 10 to support a detached trailer in a level

position. A user may also want to adjust the height of the jack assembly 10 to facilitate mounting and dismounting of a trailer to a towing vehicle.

[0030] The jack assembly 10 may be arranged such that the height of the jack assembly 10 may be increased or decreased either manually or automatically. In one embodiment, the handle assembly 18 is arranged such that the rotation of the handle assembly 18 causes the outer tube 14 to move telescopically along the inner tube 16.

[0031] To facilitate relative movement of the outer tube 14 and inner tube 16, a bushing may be positioned between the tubes 14, 16. In one embodiment, an outer tube bushing 26 may be secured to a lower end 28 of the outer tube 14 such that a portion of the bushing 26 is positioned between the tubes 14, 16 to prevent direct contact between the tubes 14, 16. In another embodiment, an inner tube bushing 30 may be secured to an upper end 32 of the inner tube 16 such that a portion of the bushing 30 is positioned between the tubes 14, 16 to prevent direct contact between the tubes 14, 16. It will be appreciated by those skilled in the art that a bushing may be secured to an upper end 34 of the outer tube 14 or secured to a lower end 36 of the inner tube 16 to prevent direct contact of the tubes 14, 16.

[0032] It will also be appreciated that a plurality of bushings may be secured to the tubes 14, 16 to prevent direct contact between the tubes 14, 16 and to facilitate relative movement of the tubes 14, 16. In one embodiment (as best seen in Figure 4), an outer tube bushing 26 is secured to the lower end 28 of the outer tube 14 and an inner tube bushing 30 is secured to the upper end 32 of the inner tube 16. The outer tube bushing 26 includes an opening 37 to accommodate the inner tube 16 so that the inner tube 16 may be assembled within the outer tube 14. In such an embodiment, the

bushings 26, 30 are arranged so as to be in contact with the tubes 14, 16 such that the tubes 14, 16 do not directly contact each other while experiencing relative movement.

[0033] Figure 5 illustrates a cross-sectional view of the outer tube 14; Figure 6 illustrates a cross-sectional view of the inner tube 16; Figure 7 illustrates a cross-sectional view of the inner tube 16 assembled within the outer tube 14; Figure 8A illustrates a perspective view of an outer tube bushing 26; Figure 8B illustrates a topside view of an outer tube bushing 26; Figure 9A illustrates a perspective view of an inner tube bushing 30; and Figure 9B illustrates a topside view of an inner tube bushing 30. As best seen in Figures 5, 6, and 7, the outer tube 14 includes a passage or chamber 38 shaped and sized to accept the inner tube 16 and to allow the inner tube 16 and outer tube 14 to slide relative to each other. The outer tube 14 and inner tube 16 include a plurality of apertures 40 that run the length of the tubes 14, 16 (as best seen in Figure 4). Optionally, apertures may be limited to the ends of the tubes 14, 16. The apertures 40 are sized and shaped to accommodate fasteners such as screws, bolts, rivets, and the like. In one embodiment, the apertures 40 are bosses formed by a process of extruding the tubes 14, 16.

[0034] As best seen in Figures 8A, 8B, 9A, and 9B, the bushings 26, 30 may be arranged to also include apertures 42. The apertures 42 of the outer tube bushing 26 may be arranged to coincide with the apertures 40 of the outer tube 14. Similarly, the apertures 42 of the inner tube bushing 30 may be arranged to coincide with the apertures 40 of the inner tube 16. In such arrangements, fasteners 44, such as screws, may be passed through the bushing apertures 42 and secured in the tube apertures 40 to secure an outer tube bushing 26 to an outer tube 14 or to secure an inner tube bushing 30 to an inner tube 16. As best seen in Figure 4, securing a bushing 26, 30 to

a tube **14, 16** in such a manner results in a portion **26A** of the outer tube bushing **26** or a portion **30A** of the inner tube bushing **30A** being positioned between the outer **14** and inner tubes **16**. Such positioning prevents direct contact between the tubes **14, 16** as the tubes **14, 16** move relative to each other. As will be subsequently described, such positioning of the bushings **26, 30** facilitates enhanced sliding movement between the tubes **14, 16**.

[0035] In one embodiment, securing the bushings **26, 30** to the tubes **14, 16** assists in maintaining axial alignment of the tubes **14, 16**. Alignment may be maintained by minimizing the tolerance or play between the bushings **26, 30** and the tubes **14, 16**. Maintaining axial alignment of the tubes **14, 16** may limit or prevent binding or galling of the tubes **14, 16** as they move relative to one another. Preventing or limiting galling of the tubes **14, 16**, in turn, prevents or limits damage to any coating or finish applied to the surface of the tubes **14, 16**. In addition, maintaining alignment of the tubes **14, 16** reduces the mechanical effort needed to slide the tubes **14, 16** relative to one another. Such a reduction in mechanical effort results in a jack assembly **10** that is easier to operate and also limits wear and tear on mechanical components within the jack assembly **10**.

[0036] As previously described, the handle assembly **18** may be arranged such that rotation of the handle assembly **18** causes the outer tube **14** to move relative to the inner tube **16**. As best seen in Figures 3 and 4, the handle assembly **18** is generally coupled to a mechanism that rotates a jackscrew **46** as the handle assembly **18** is rotated. A jack nut **48** is positioned on the jackscrew **46** and is in contact with either the outer or inner tube **14, 16**. As the jackscrew **46** rotates, the jack nut **48** moves along the jackscrew **46** to facilitate the sliding or moving of the outer tube **14** relative

to the inner tube 16. The axial alignment of the tubes 14, 16, which may be maintained by the bushings 26, 30, also prevents or limits binding or galling of the jackscrew 46 and jack nut 48. In addition, maintaining axial alignment also limits or prevents galling of the tubes 14, 16 by either the jackscrew 46 or the jack nut 48. The elimination of galling by the jackscrew 46 and the jack nut 48 and the reduction of mechanical effort needed to move the jack assembly 10 generally results in an extended service life for the jackscrew 46 and nut 48, as well as an extended service life of a number of other mechanical components of the jack assembly 10.

[0037] In securing a bushing 26, 30 to an end of a tube 14, 16, the bushing 26, 30 may serve to cover any sharp edges of the tube ends. The tubes 14, 16 may be manufactured or fabricated from metals, such as aluminum, steel, and the like. The tubes 14, 16 may be manufactured or fabricated by a variety of processes, such as extrusion, casting, forging, and the like. Such processes may result in sharp or burred edges that may necessitate post-fabrication processes to deburr or dull the edges. The bushings 26, 30 are arranged such that, once they are secured to an end of a tube 14, 16, the bushing 26, 30 covers any sharp edges, burrs, or other features that may cause damage to the jack assembly 10 or other articles near the jack assembly 10, thus eliminating post-fabrication operations and reducing manufacturing costs.

[0038] In one embodiment, the bushings 26, 30 are manufactured or fabricated from a plastic or other such polymeric material. For example, the bushings 26, 30 may be fabricated using a glass-reinforced nylon. In another example, the bushings 26, 30 may be fabricated using a polyoxymethylene or other such polyacetal. The bushings 26, 30 may be molded and secured to the tubes 14, 16 with fasteners 44 as described above or, in one alternative, the bushings 26, 30 may be over-molded directly to the

ends of the tubes **14, 16**.

[0039] In addition to the bushings **26, 30**, other components or objects may be secured to the ends of the outer or inner tubes **14, 16** by passing fasteners **44** through the components and securing the fasteners **44** to the apertures **40** of the tubes **14, 16**. In one exemplary embodiment, best seen in Figures 3 and 4, a gear housing **50** may be secured to an upper end **34** of the outer tube **14**. In another exemplary embodiment, a yoke retainer **52** may be secured to the lower end **36** of an inner tube **16**. Such versatility of the apertures or bosses **40** of the inner and outer tubes **14, 16** results in reduced manufacturing and redesign costs, along with more reliable and robust end products.

[0040] In an embodiment, the outer tube bushing **26** is arranged to reinforce the lower end **36** of the inner tube **16** during side loading. Under certain conditions, the jack assembly **10** may experience side loads as it vertically supports a towing trailer. When the outer tube bushing **26** is secured with four screws **44** to the lower end **28** of the outer tube **14**, and the opening **37** through the bushing **26** leaves little tolerance between the bushing **26** and the inner tube **16**, the bushing **26** provides a stabilizing force to reinforce the inner tube **14** to counteract side loads. Fabricating the bushing **26** using rigid material, such as glass-reinforced nylon and the like, may enhance the stability of and reinforce the inner tube **16**. It will be readily understood by those skilled in the art that such arrangements also stabilize and reinforce the outer tube **14** during side loading. It also will be readily understood that the inner tube bushing **30** may also be arranged to enhance the stability of and reinforce the tubes **14, 16** during side loading.

[0041] The adjustable pivot assembly 20 performs a number of functions for the jack assembly 10. For example, the pivot assembly 20 may be used to secure the assembly 10 to a trailer tongue 53 or similar member. As will be subsequently described in detail, the pivot assembly 20 may be designed to accommodate multiple sizes of trailer tongues. In another embodiment, the adjustable pivot assembly 20 may be arranged to allow the jack assembly 10 to pivot between vertical and horizontal positions once the assembly 10 is secured to a trailer tongue 53.

[0042] As best seen in Figures 3, 10, 11, and 12, the adjustable pivot assembly 20 generally includes an attachment bracket 54, a pivot housing 56, a pivot block 58, and a slide block 60. The pivot block 58 and the slide block 60 may be arranged so as to secure the pivot assembly 20 to the outer tube 14. The attachment bracket 54 and the pivot housing 56 may be arranged so as to secure a jack assembly 10 to a tongue 53 of a towing trailer.

[0043] As best seen in Figures 5 and 7, the outer tube 14 includes a slot 62 that runs the length of the tube 14. The slot 62 is sized and shaped to allow the slide block 60 to slide along the slot 62. While the slide block 60 is located in the slot 62, the pivot block 58 may be positioned along the outside of the slot 62 and secured to the slide block 60 so as to secure the blocks 58, 60 together at a given position along the slot 62. The blocks 58, 60 may be secured together by fasteners 64 passing through apertures 66 in the slide block 60 and apertures 68 in the pivot block 58. In one embodiment, the fasteners 64 may include bolts and nuts, with the bolts passing through the apertures 66, 68 and being secured with the nuts. As best seen in Figures 5 and 7, the slot 62 in the outer tube 14 includes an opening 70 that allows fasteners 64 to pass through the outer tube 14 when the fasteners 64 are securing the pivot block

58 to the slide block **60**. It will be appreciated by those skilled in the art that, as the nuts are tightened onto the bolts, the pivot block **58** and slide block **60** are drawn together, and a clamping force is applied to the walls of the outer tube **14** such as to allow the blocks **58**, **60** to maintain their position along the length of the outer tube **14**. It also will be appreciated that the example of bolts and nuts is exemplary only, and the pivot block **58** may be secured to the slide block **60** using many combinations of fasteners such as rivets, screws, and the like.

[0044] The arrangement of the pivot block **58** and slide block **60** as described above allows the pivot assembly **20** to be adjusted along the length of the outer tube **14**. Such adjustability allows for a versatile jack assembly **10**, which may be used with and attached to a large variety of towing trailers. In one exemplary embodiment, the total travel range of the pivot assembly **20** with respect to the outer tube **14** is eighteen inches. Such a large travel range allows a jack assembly **10** to be utilized or attached to towing trailers that are designed for passenger automobiles, light trucks, heavy duty trucks, commercial trucks, etc. In addition to facilitating the use of a jack assembly **10** with a wide variety of towing trailers, the adjustability of the pivot assembly **20** also allows for precise placement of the pivot assembly **20** with respect to each of these wide varieties of towing trailers. As the pivot assembly may be placed at any location along the outer tube **14**, the location of the pivot assembly **20** is not limited to a few predetermined fixed locations. Such versatility allows a user to position the height of the pivot assembly **20** at an optimal height for each towing trailer. This adjustability also allows the jack assembly to be remounted to numerous towing trailers throughout its service life.

[0045] As previously described, the attachment bracket **54** and the pivot housing **56**

may be arranged to secure a jack assembly **10** to a tongue **53** of a trailer. In one embodiment, the pivot housing **56** is coupled to the pivot block **58**. As best seen in Figures 13 and 14, the pivot housing **56** may be arranged so as to enclose or conceal all internal mechanics used to pivot the jack assembly **10** such as, for example, springs, clips, pins, etc. In one embodiment, the pivot housing **56** is a single cast component that encloses the internal pivot mechanics. The pivot housing **56** is arranged such that it may rotate relative to the pivot block **58**. A pull pin **72** is coupled to the pivot housing **56** and is arranged to selectively lock the position of the housing **56** relative to the pivot block **58**. Providing a single cast pivot housing **56** maintains the aesthetic continuity of the jack assembly **10** and creates an ergonomic system. An aperture **74** formed during the casting of the pivot housing **56** may be utilized for the pull pin **72** that is used to lock and unlock the position of the housing **56** relative to the pivot block **58**. The housing **56** may be cast from steel, aluminum, or the like. The pivot pin **72** may be fabricated from high carbon steel to provide a strong and reliable pivot assembly **20**. Fabricating a large diameter cast pivot block **58** may also enhance the strength and reliability of the pivot assembly **20**. The cast pivot block **58** may be cast from steel, aluminum, or the like.

[0046] The attachment bracket **54** includes a plurality of apertures **76**, and the pivot housing **56** includes a plurality of apertures **78**. The plurality of attachment bracket apertures **76** are arranged to align with the plurality of pivot housing apertures **78**. As best seen in Figures 10, 11, and 12, the attachment bracket **54** may be positioned on one side of a towing tongue **53**, and the pivot housing **56** may be positioned on the opposite side of the towing tongue **53**. The apertures **76**, **78** may be positioned so as to align such that fasteners **80** may be passed through the apertures **76**, **78** to secure the

attachment bracket **54** to the pivot housing **56**. The fasteners **80** may be, for example, bolts and nuts, rivets, or the like. It will be readily understood that, as the attachment bracket **54** is secured to the pivot housing **56**, the pivot assembly **20** and the jack assembly **10** are secured to the trailer tongue **53** (as best seen in Figures 10, 11, and 12). It also will be understood that, as the fasteners **80** are tightened, the attachment bracket **54** and the pivot housing **56** are drawn together to produce a clamping force on the trailer tongue **53** and to secure the pivot assembly **20** to the trailer tongue **53**.

[0047] The attachment bracket **54**, as schematically illustrated in Figure 15, is arranged to attach to a variety of trailer tongues. As may be seen from the arrangement of the apertures **76**, the attachment bracket **54** may accommodate tongues of at least two different heights. The attachment bracket **54** may be secured to a tongue that has a height of X (as seen in Figure 15) or may be rotated ninety degrees to accommodate a tongue that is the height of Y (also as seen in Figure 15). In one embodiment, the attachment bracket **54** is arranged such that X is equal to three inches and Y is equal to four inches. In such an arrangement, fasteners **80** that are passed through the apertures **76** contact the sides of a trailer tongue **53**, which are either three inches or four inches in height, to further enhance the attachment of the pivot assembly **20** to the trailer tongue **53**. In one embodiment, the pivot assembly **20** may be arranged to accommodate a four-inch trailer tongue in a first position and may be rotated ninety degrees to accommodate a three-inch trailer tongue.

[0048] It will be appreciated that, in one embodiment, the pivot housing **56** may be arranged such that the pivot pin **72** rotates as the jack assembly **10** is moved from a vertical position to a horizontal stowed position. Such an arrangement would provide a user with an ergonomic access to the pull pin **72** in both the vertical and stowed

positions. In addition, the positioning of the pull pin 72 creates an ergonomic arrangement by positioning the pull pin 72 such that a user pulls upward when rotating the jack assembly 10 between the vertical and stowed positions.

[0049] In another embodiment of the jack assembly 10, as best seen in Figure 16, the pivot housing 56 or the attachment bracket 54 may be utilized as a weld plate to weld the jack assembly 10 to a trailer tongue 53. In another embodiment, precision machining may form precise fits between mating parts. Such an arrangement minimizes movement in the pivot assembly 20, which generally increases the ease of use of the jack assembly 10, reduces wear and tear on components of the pivot assembly 20, and increases the service life of the pivot assembly 20 and the jack assembly 10.

[0050] As previously described, a gear housing 50 may be secured to an end of an outer tube 14 or an inner tube 16. In one embodiment, as best seen in Figures 3 and 4, a gear housing 50 is mounted or otherwise secured to the upper end 34 of the outer tube 14. Such a mounting eliminates the need for weldments, drilling, piercing, crimping, or any other secondary process to be carried out in the manufacture of the outer tube 14 to secure the gear housing 50 to the jack assembly 10. In one embodiment, the base plate 82 of the gear housing 50 includes a plurality of apertures. These apertures are arranged such that they align with the apertures or bosses 40 fabricated or extruded with the outer tube 14. The gear housing 50 may then be positioned on top of the outer tube 14, and fasteners 84 may be passed through the apertures in the base plate 82 and into the bosses 40 in the outer tube 14 so as to secure the gear housing 50 to the jack assembly 10.

[0051] In an embodiment, a gear housing cap **86** may be secured to the top portion of the gear housing **50** to form a sealed gearbox **87**. The gear housing **50** may include apertures or extruded bosses **88** similar to those described for the outer and inner tubes **14**, **16**, and the gear-housing cap **86** may include a plurality of apertures **90**. Similar to previous descriptions, the apertures **90** in the gear-housing cap **86** may be aligned with the bosses **88** of the gear housing **50**. Fasteners **92**, such as bolts, screws, rivets, and the like, may be passed through the apertures **90** and into the bosses **88** so as to secure the cap **86** to the gear housing **50**.

[0052] In such an arrangement, the gear housing **50** and gear housing cap **86** may serve to maintain the aesthetic continuity of the jack assembly **10**. Such arrangements may also simplify components for manufacturability. The base plate **82** of the gear housing **50** may serve as a support plate for the jackscrew **46** positioned within the jack assembly **10**. Securing the gear housing **50** and gear-housing cap **86** with fasteners may specifically add strength, support, or rigidity to the coupling of the gear housing **50** to the jack assembly **10**, along with general adding strength, support, or rigidity to the jack assembly **10**. By forming a sealed gearbox **87**, grease may be held within the gearbox **87** and contaminants may be kept out of the gearbox **87**. Such an arrangement reduces the need for maintenance of the gearbox **87** over the service life of the gearbox **87** and increases the service life of the jack assembly **10** is generally increased. Specifically, a sealed gearbox **87** increases the service life of internal components positioned within the gearbox **87** such that the service life of the jack assembly **10**. The components of a gearbox **87**, including the gear housing **50** and gear housing cap **86**, may be fabricated or otherwise manufactured from glass-filled nylon or other similar material so as to increase the resistance to corrosion.

[0053] The use of fasteners **92** and apertures **88, 90** to secure the gear housing **50** and gear housing cap **86** to the jack assembly **10** increases the alignment precision of the gearbox **87** and the remainder of the jack assembly **10**. Such an increase in precision holds the gearbox **87**, jackscrew **46**, jack nut **48**, tubes **14, 16**, handle assembly **18**, internal gears, and many other components, in alignment, which reduces wear on components, increases efficiency, and increases the service life of the jack assembly **10**. In addition, the embodiments as described eliminate the need for additional machining of the gear housing **50** or the use of bushings with the gear housing **50**.

[0054] The handle assembly **18** engages with the gearbox **87** to raise and lower the jack assembly **10**. As seen in Figures 3 and 18, the handle assembly **18** includes a grip **94**, a crank member **96**, and a handle-assembly holder or clip **98**. The crank member **96** engages the gears of the gearbox **87** (as seen in Figure 4, 13, and 14) to transform rotational motion of the crank **96** into linear motion of the outer tube **14** so as to raise and lower the jack assembly **10**. When a user has placed the jack assembly **10** at the proper height or has placed the jack assembly **10** in a stowed position, the handle assembly **18** may be clamped or otherwise secured to the outer tube **14**. Such an arrangement prevents the handle assembly **18** from moving or changing the height of the jack assembly **10** when the jack assembly **10** is in the vertical position. In addition, such an arrangement prevents the handle assembly **18** from dragging on the ground when the jack assembly **10** is in the stowed position.

[0055] In one embodiment, the handle assembly **18** may be secured to the outer tube **14** such that the crank **96** is parallel to the outer tube **14** when it is secured. In one embodiment, the handle assembly clip **98** is attached to the crank **96** and arranged to engage the outer tube **14** such that it holds the handle crank **96**, and thus the handle

assembly 18, parallel to the outer tube 14. The securing of the handle assembly 18 may be facilitated by including a hinge mount to fold the handle assembly 18 out of the way when not in use, i.e., securing the handle assembly 18 to the outer tube 14. In another embodiment, the handle assembly clip 98 may be secured to the outer tube 14 and arranged to clip onto the crank 96 as the handle assembly is folded towards the outer tube 14.

[0056] The handle assembly 18 may be arranged to include an operation position and a stowed position. While in the operation position, the crank 96 and handle-assembly clip 98 are positioned such that, when the handle assembly 18 is rotated to raise and or lower the jack assembly 10, the handle-assembly clip 98 does not prevent the crank 96 from rotating. While in the stowed position, the handle-assembly clip 98 clamps to the crank 96 and prevents the crank 96 from rotating.

[0057] The handle assembly 18 may also be arranged to enable a non-destructive overload bypass when the handle assembly 18 is improperly engaged or disengaged in the stowed position. Such an arrangement may be facilitated by the use of flexible plastic or other such materials to form a handle assembly 18, particularly the handle assembly clip 98, with a generally flexible construction. The handle-assembly clip 98 may also include a lead-in member 100 that disengages the clip 98 when a user rotates the handle assembly 18 while the handle assembly 18 is secured to the outer tube 14, i.e., the handle assembly 18 is in the stowed position (as best seen in Figures 13 and 14).

[0058] In one embodiment, the jack assembly 10 includes a dual wheel caster assembly 12. As best seen in Figures 3 and 19, the dual wheel caster assembly 12

includes a pair of wheels **102**, a yoke **104**, a pin **106**, and a yoke retainer **52**. The pair of wheels **102** are assembled to the yoke **104** by the pin **106**. The yoke **102** is coupled to the yoke retainer **52** by a fastener **108**. As previously discussed, the yoke retainer **52** may be attached to the lower end **36** of the inner tube **16** by passing a plurality of fasteners **110** through apertures **112** in the yoke retainer **52** and securing those fasteners **110** into the bosses **40** of the inner tube **16**. In one embodiment, the arrangement of the dual wheel caster assembly **12** to the inner tube **14** provides for the assembly **12** to swivel or rotate with respect to the inner tube **14**.

[0059] In one embodiment, each wheel **102** is arranged such that it rotates independently of the other wheel **102**. Such an arrangement of the wheels **102** minimizes friction as the assembly **12** swivels with respect to the remainder of the jack assembly **10**. In addition, this arrangement maximizes surface area contact between the ground (or other supporting surface) and the wheels **102** while minimizing friction. In one embodiment, the wheels **102** are seven-inch diameter rubber wheels. To reduce or eliminate the need to lubricate the wheel assembly **12**, large diameter nylon on stainless steel washer stalks may be used. Such large diameter washers may serve to reduce point loading by offering a greater surface on which to distribute a load.

[0060] To further limit friction, the bearing surfaces above and below the mounting surface of the yoke **104** and yoke retainer **52** may be integrated. The use of fasteners **110** to directly secure the wheel assembly **12** to the inner tube **16** results in the yoke retainer **52**, jackscrew **46**, jack nut **48**, inner tube **16**, and outer tube **14** being generally held in good alignment. Such good alignment decreases wear and tear on jack assembly **10** components and increases the service life of the jack assembly **10**.

In addition, good alignment makes it easier to for a user to operate the jack assembly **10**.

[0061] The dual wheel caster assembly **12** may be fabricated from aluminum, utilizing a die casting process. Such an arrangement provides for a corrosion-resistant assembly **12**. To further provide corrosion protection, components of the wheel assembly, along with all components of the jack assembly **10**, may be coated with a dichromate coating.

[0062] The dual wheel caster assembly **12**, as described, maintains the aesthetic continuity of the jack assembly **10** because the attachment method, i.e., using hidden fasteners **110** secured to internal bosses **40** in the inner tube **16**, eliminates the need for welds or fasteners that can be seen from outside the jack assembly **10**. Such an arrangement provides a stylized interface from the inner tube **16** to the yoke **104**. In addition, the method of attachment of the wheel assembly **12** to the inner tube **16** provides for the yoke retainer **52** to abut the lower end **36** of the inner tube **16**. Such abutment reduces or eliminates concerns over sharp edges or burrs due to the manufacturing of the inner tube **16**, therefore eliminating post-manufacture processes to dull or deburr the edge of the inner tube **16**.

[0063] As best seen in Figures 1 and 19, the wheels **102** are offset a predetermined distance from the centerline of the jack assembly **10**. Such an offset allows the wheels **102** to follow in the direction in which the jack assembly **10** is moving. In one example, such an arrangement may facilitate the moving of a towing trailer when the trailer is detached from a towing vehicle and the jack assembly is utilized to support one end of the trailer.

[0064] The dual wheel caster assembly 12 may further include a wheel wedge or brake lever 114. The wheel wedge 114 is attached to the yoke 104 by a pin 116. The wheel wedge 114 may be selectively positioned to secure the wheels 102 so as to deter rotation of the wheels 102 while the trailer is stored or otherwise idle. The wheel wedge 114 includes a locked position and an unlocked position. In the locked position, the wheel wedge 114 is rotated downward into contact with the wheels 102. This contact deters any rotation of the wheels 102. In the unlocked position, the wheel wedge 114 is rotated upwards and out of contact with the wheels 102, allowing the wheels 102 to rotate freely.

[0065] The wheel wedge 114 may be moved between the locked and unlocked position by a user. In one example, the user may step on the wheel wedge 114 to move it from the unlocked to the locked position. The user may also use his or her foot to kick or lift the wheel wedge 114 upward to move the wedge 114 from the locked position to the unlocked position. Such an arrangement provides an easily utilized and cost effective mechanism for locking and unlocking the wheels 102.

[0066] In another embodiment, best seen in Figures 2 and 11, a jack assembly 22 is arranged with a single wheel caster assembly 24. The single wheel caster assembly 24 includes a single wheel 118 and a yoke 120 arranged to support a single wheel 118. The wheel 118 is attached to the jack assembly 22 similarly to the description of the attachment of the dual wheel caster assembly 12. The single wheel caster assembly 24 may also include a wheel wedge 114 that can be used to lock and unlock the wheel 118.

[0067] The invention has been described above and, obviously, modifications and

alterations will occur to others upon a reading and understanding of this specification. The claims as follows are intended to include all modifications and alterations insofar as they come within the scope of the claims or the equivalent thereof.

CLAIMS

Having thus described the invention, we claim:

1. A jack assembly for a towed vehicle, the jack assembly comprising:
 - an inner tube having a correspondingly shaped inner tube bushing secured to an upper end of said inner tube;
 - an outer tube having a slot that runs the length of said outer tube, and a correspondingly shaped outer tube bushing secured to a lower end of said outer tube;
 - a jackscrew located within said inner tube, wherein said jackscrew is operatively connected to a jack nut;
 - a gear housing located adjacent an upper end of said outer tube;
 - a handle assembly connected to said gear housing, wherein rotation of said handle assembly causes said outer tube to move telescopically along said inner tube;
 - a pivot assembly including a pivot housing, a slide block, a pivot block, and an attachment bracket for mounting to a trailer tongue, wherein said pivot assembly is connected to said outer tube; and
 - a wheel assembly connected to a lower end of said inner tube.
2. The jack assembly of claim 1, wherein a portion of said inner tube bushing is positioned between said tubes and a portion of said outer tube bushing is positioned between said tubes, such that said inner tube and said outer tube do not contact each other.
3. The jack assembly of claim 1, wherein securing said inner tube bushing and said outer tube bushing to their respective tubes maintains axial alignment of said tubes.
4. The jack assembly of claim 1, wherein said jack nut is attached to said inner tube bushing and has a correspondingly similar shape to said inner tube.
5. The jack assembly of claim 1, wherein said gear housing includes a cap secured to a top portion of said gear housing to form a sealed gearbox.
6. The jack assembly of claim 1, wherein rotation of said handle assembly correspondingly rotates said jackscrew thereby sliding said jack nut along said jackscrew to facilitate the sliding of said outer tube relative to said inner tube.

7. The jack assembly of claim 1, wherein said pivot assembly is slidably connected in said slot by said slide block wherein said slide block may be positioned at any location along said slot of said outer tube.
8. The jack assembly of claim 7, wherein said slide block is connected to said pivot block.
9. The jack assembly of claim 8, wherein said pivot block and said slide block are arranged to secure said pivot assembly to said outer tube.
10. The jack assembly of claim 7, wherein said pivot housing rotates relative to said pivot block.
11. The jack assembly of claim 10, further comprising a pull pin coupled to said pivot housing wherein said pull pin is arranged to selectively lock and unlock the position of said pivot housing relative to said pivot block.
12. The jack assembly of claim 1, wherein said attachment bracket can be rotated to accommodate trailer tongues of at least two different heights.
13. The jack assembly of claim 12, wherein said attachment bracket may be secured to a tongue that has a height of X or may be rotated approximately ninety degrees to accommodate a tongue that is the height of Y.
14. The jack assembly of claim 13, wherein X is approximately three inches and Y is approximately four inches.
15. The jack assembly of claim 1, wherein said handle assembly further includes a clip to secure said handle assembly in a parallel position to said outer tube and to prevent said handle from rotating when in a stowed position.
16. The jack assembly of claim 1, wherein said wheel assembly includes a single caster wheel.
17. The jack assembly of claim 1, wherein said wheel assembly includes dual caster wheels thereby permitting each wheel to rotate independently of the other wheel.
18. A jack assembly for a towed vehicle, the jack assembly comprising:
an inner tube and an outer tube, wherein said outer tube is capable of telescopic movement along said inner tube and said outer tube includes a slot that runs the length of said outer tube;

a bushing positioned between said inner tube and said outer tube such that a portion of said bushing is positioned between said tubes such that said tubes do not contact each other;

a jackscrew located within said inner tube, wherein said jackscrew is operatively connected to a jack nut that is attached to said bushing;

a gear housing located adjacent an upper end of said inner tube;

a handle assembly connected to said gear housing, wherein rotation of said handle assembly causes said outer tube to move telescopically along said inner tube;

a pivot assembly slidably connected to said outer tube by a slide block that is rotatably connected to a pivot block, wherein said pivot assembly includes a pivot housing and an attachment bracket for mounting to a trailer tongue; and

a dual caster wheel assembly connected to a lower end of said inner tube.

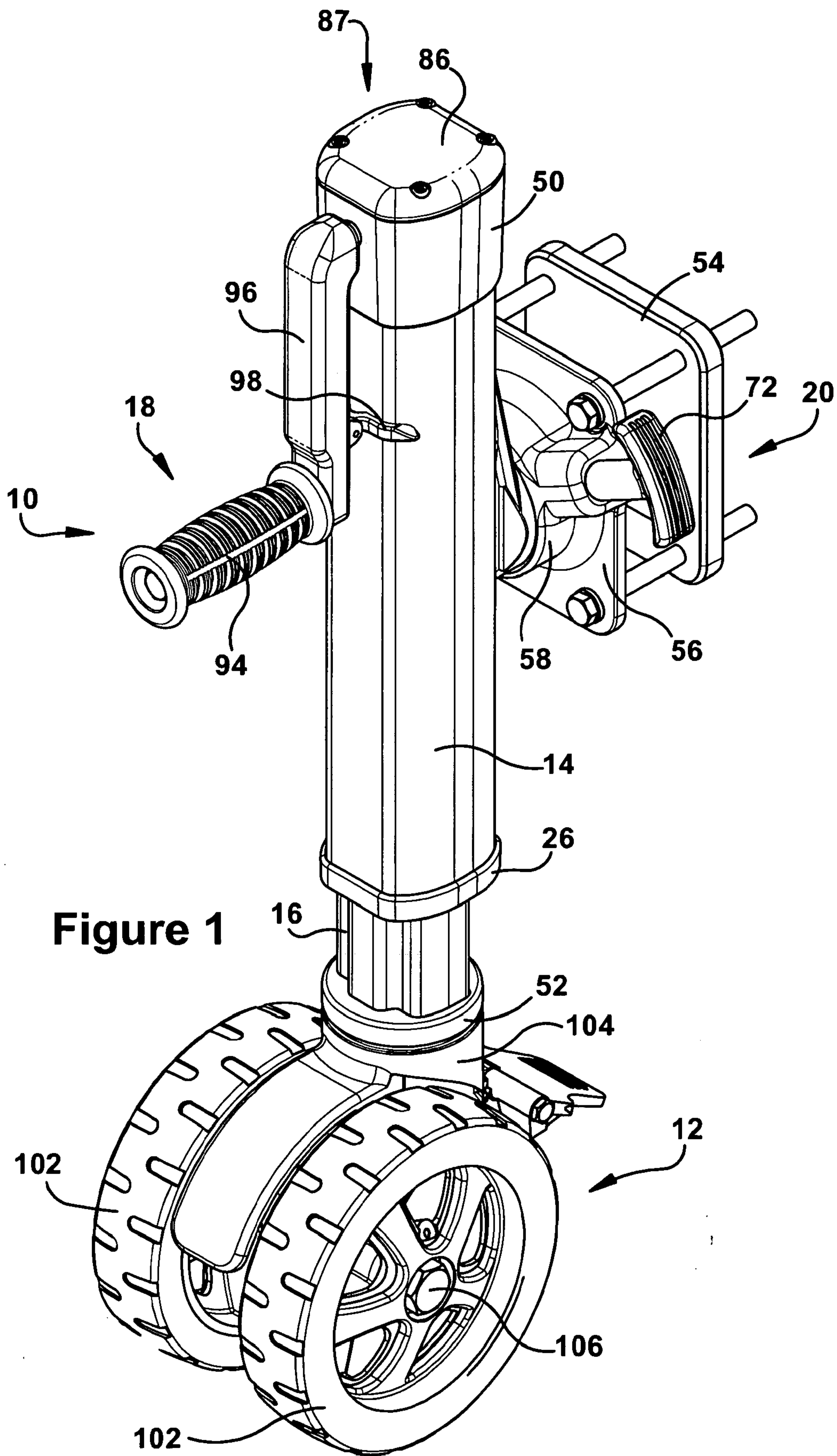
19. The jack assembly of claim 18, wherein said bushing is of a corresponding shape to said inner tube and said outer tube.

20. The jack assembly of claim 18, wherein said bushing is secured to an upper end of said inner tube such that a portion of said bushing is positioned between said inner tube and said outer tube.

21. The jack assembly of claim 18, wherein said bushing is secured to a lower end of said outer tube such that a portion of said bushing is positioned between said inner tube and said outer tube.

22. The jack assembly of claim 21, wherein said bushing includes an opening to accommodate said inner tube.

1/18



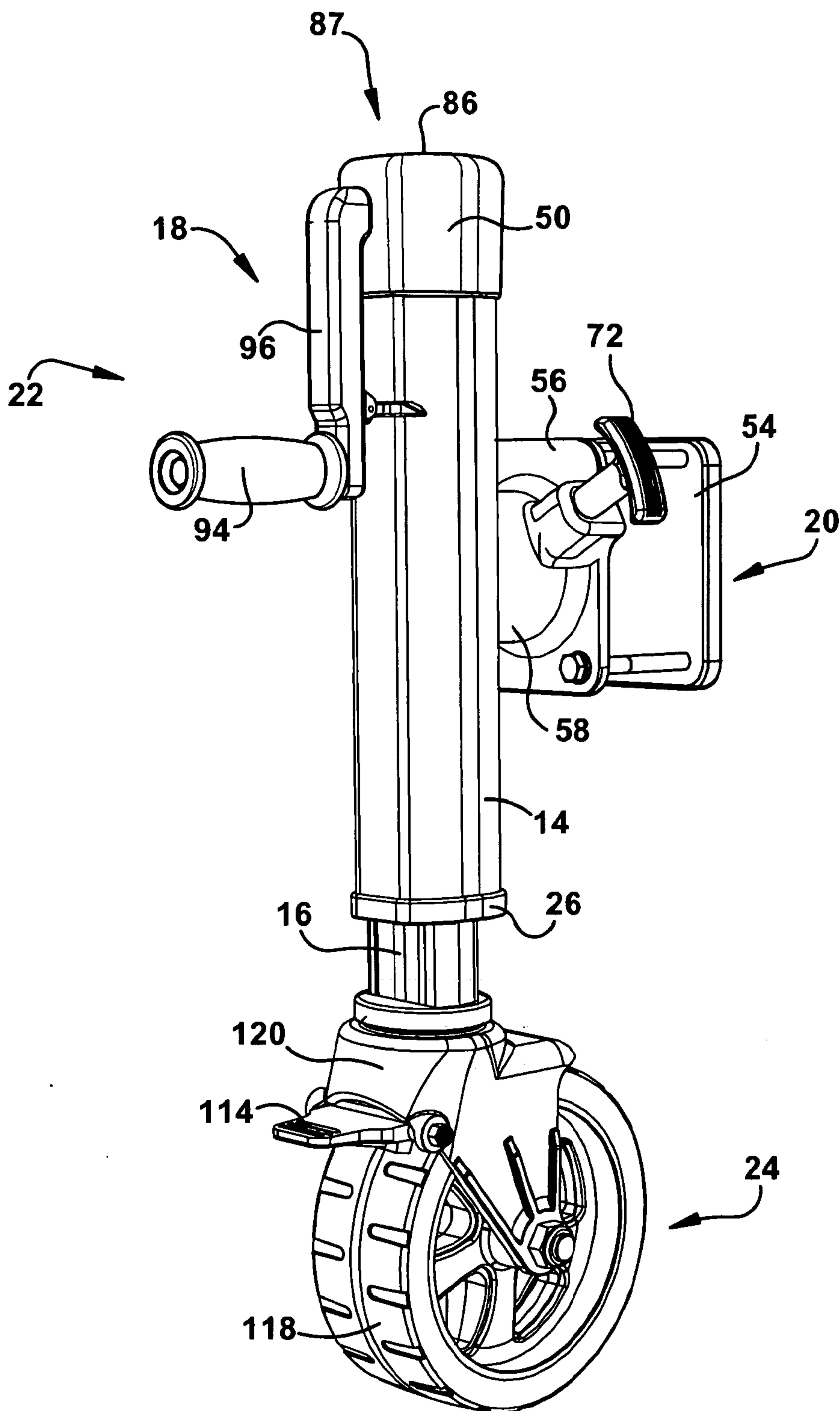


Figure 2

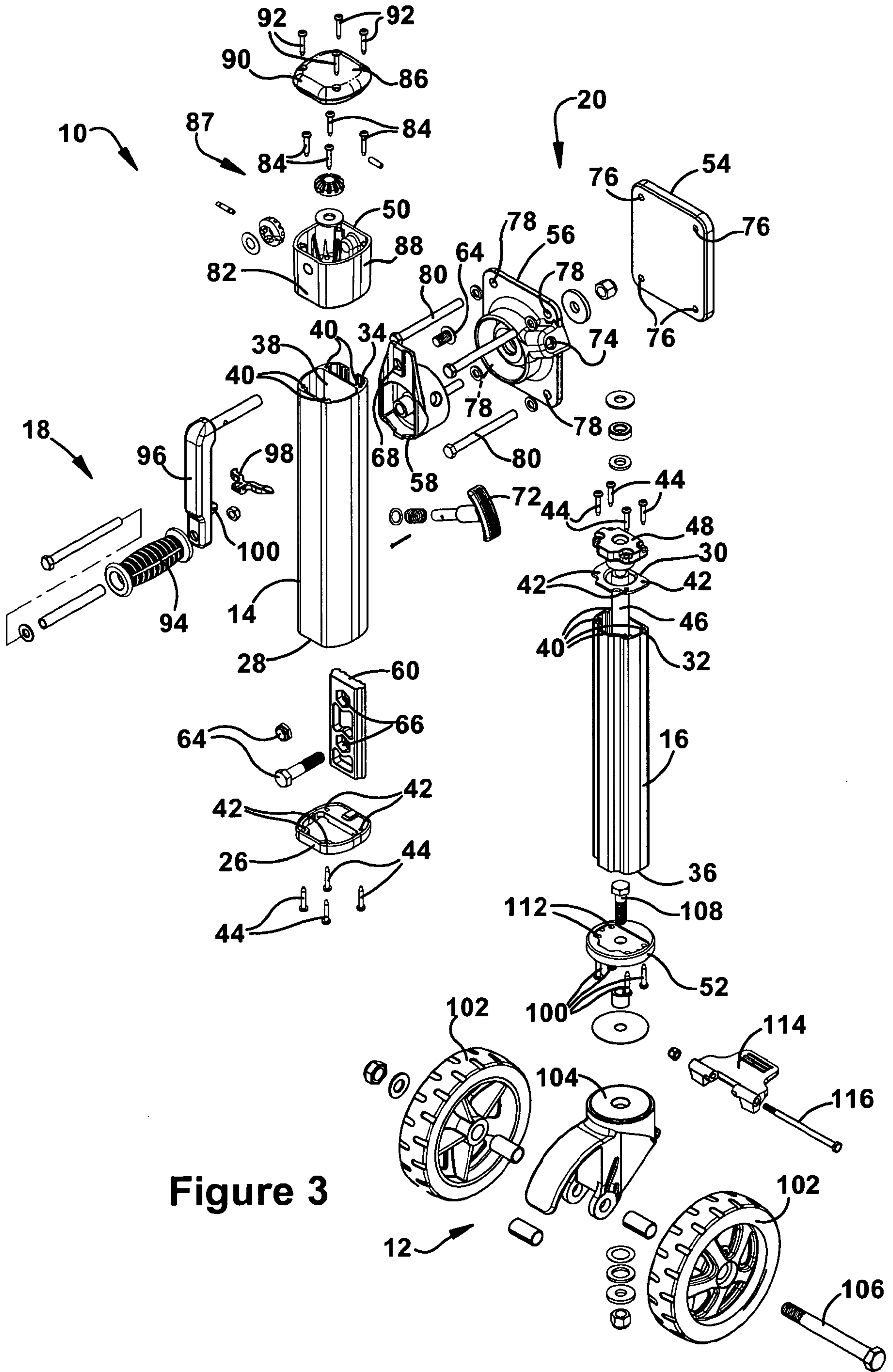


Figure 3

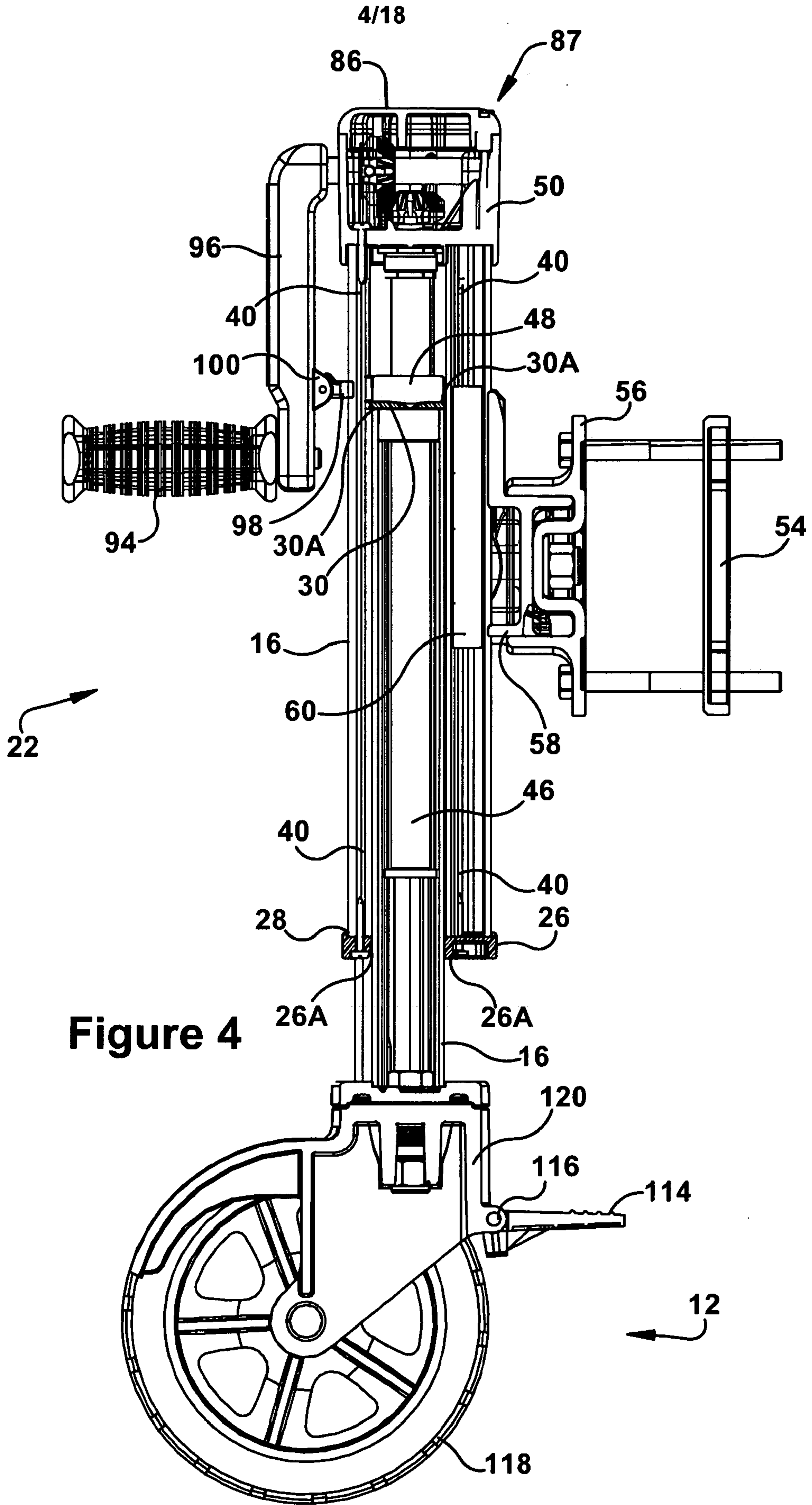


Figure 4

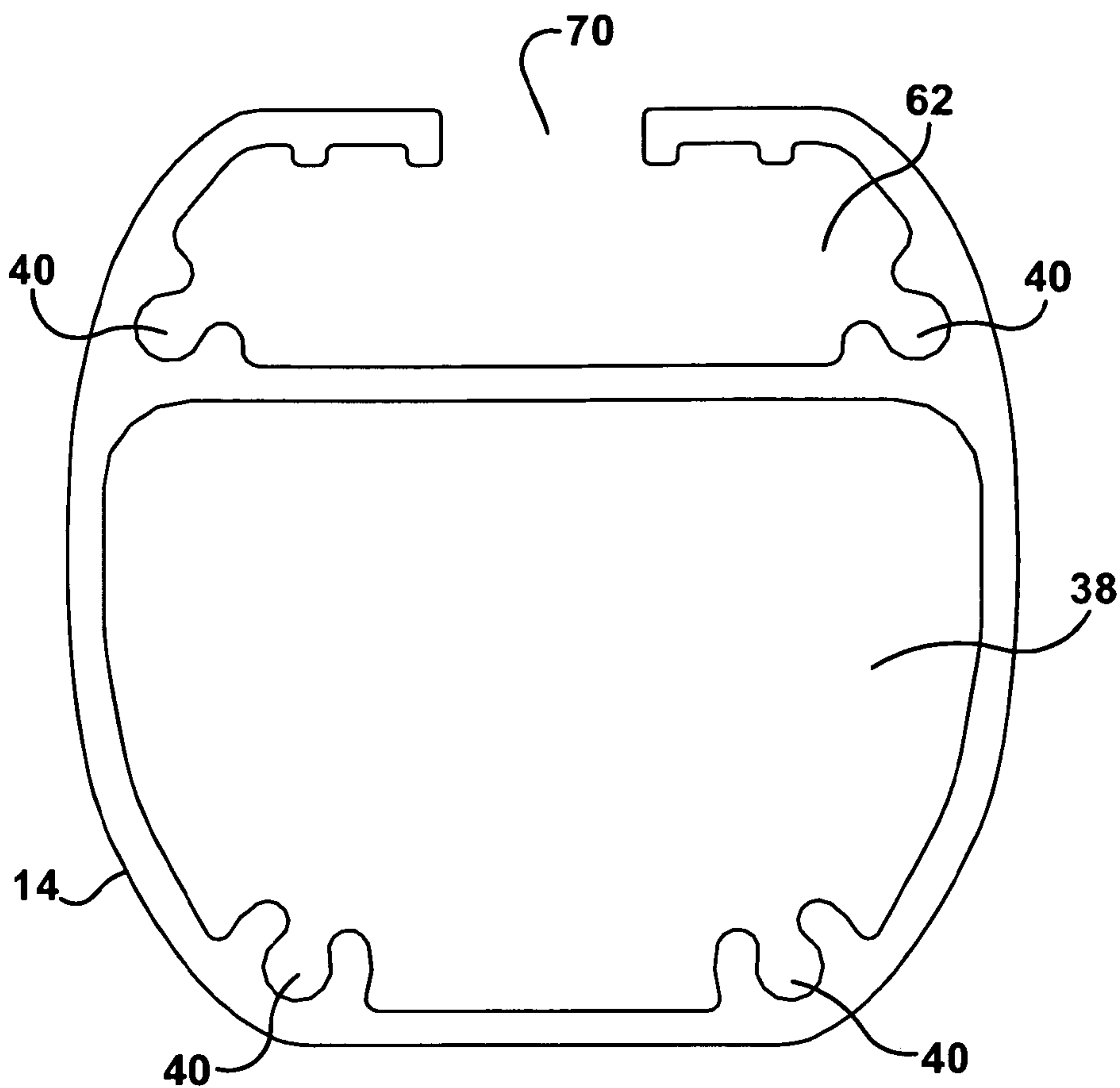


Figure 5

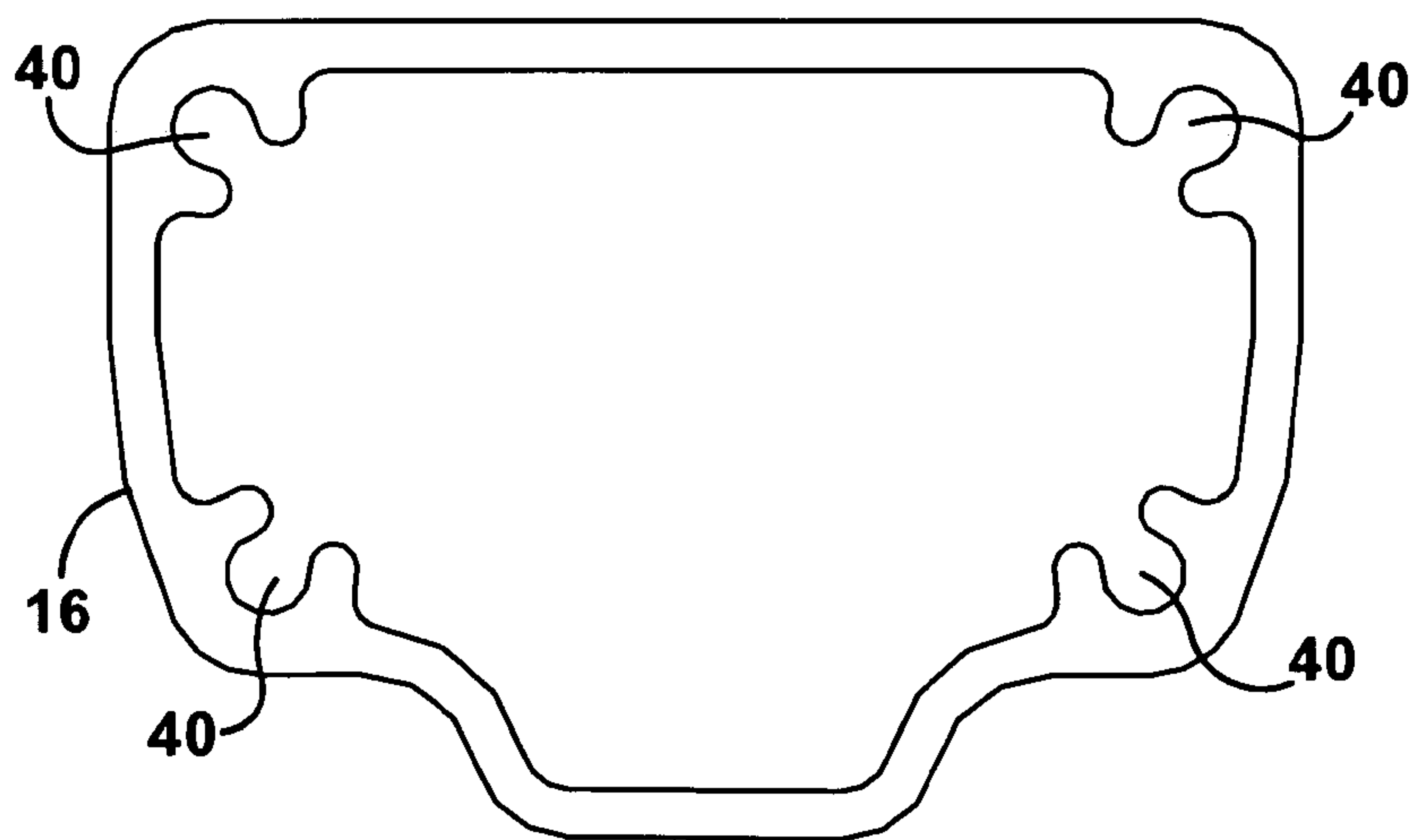


Figure 6

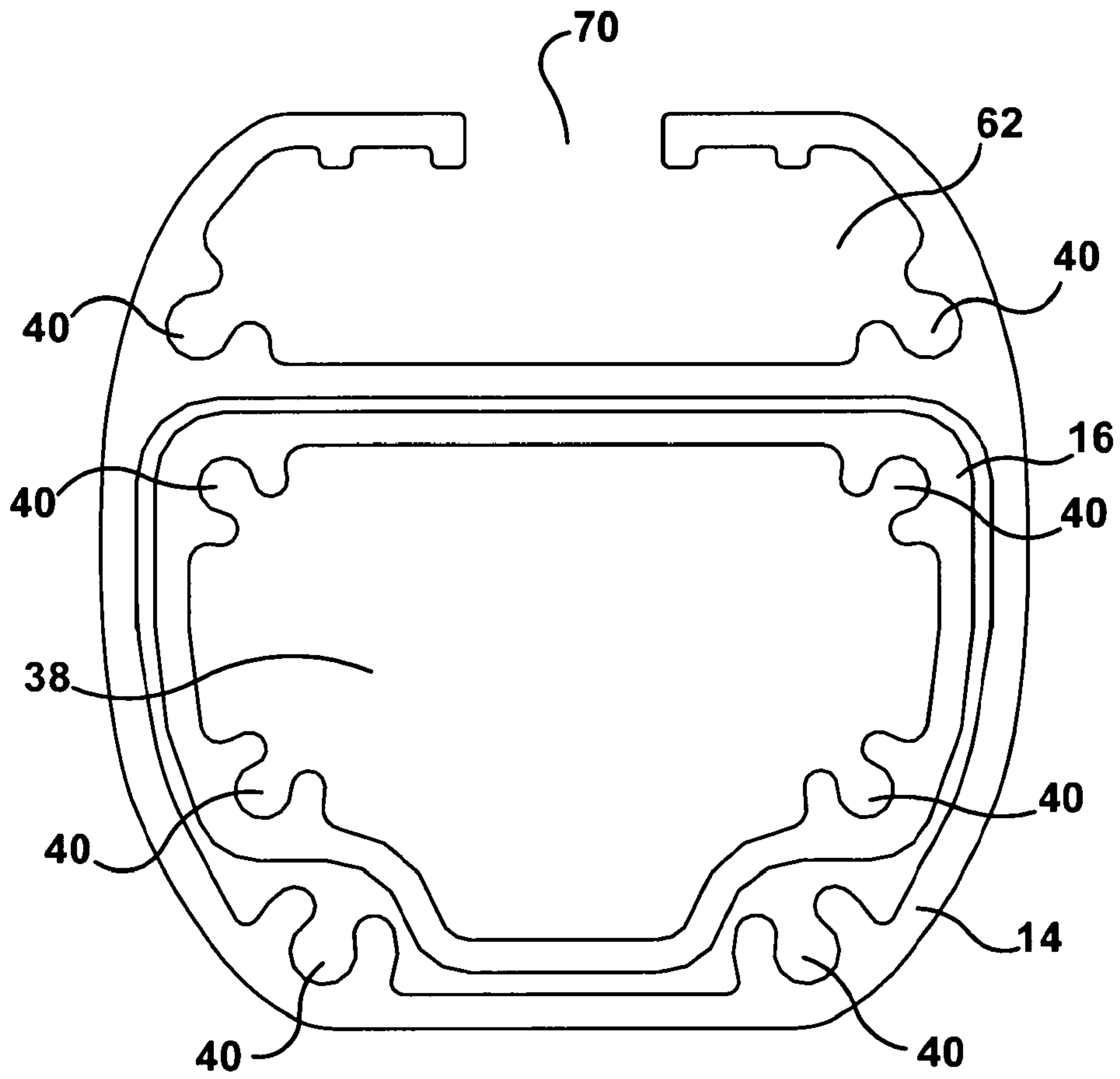


Figure 7

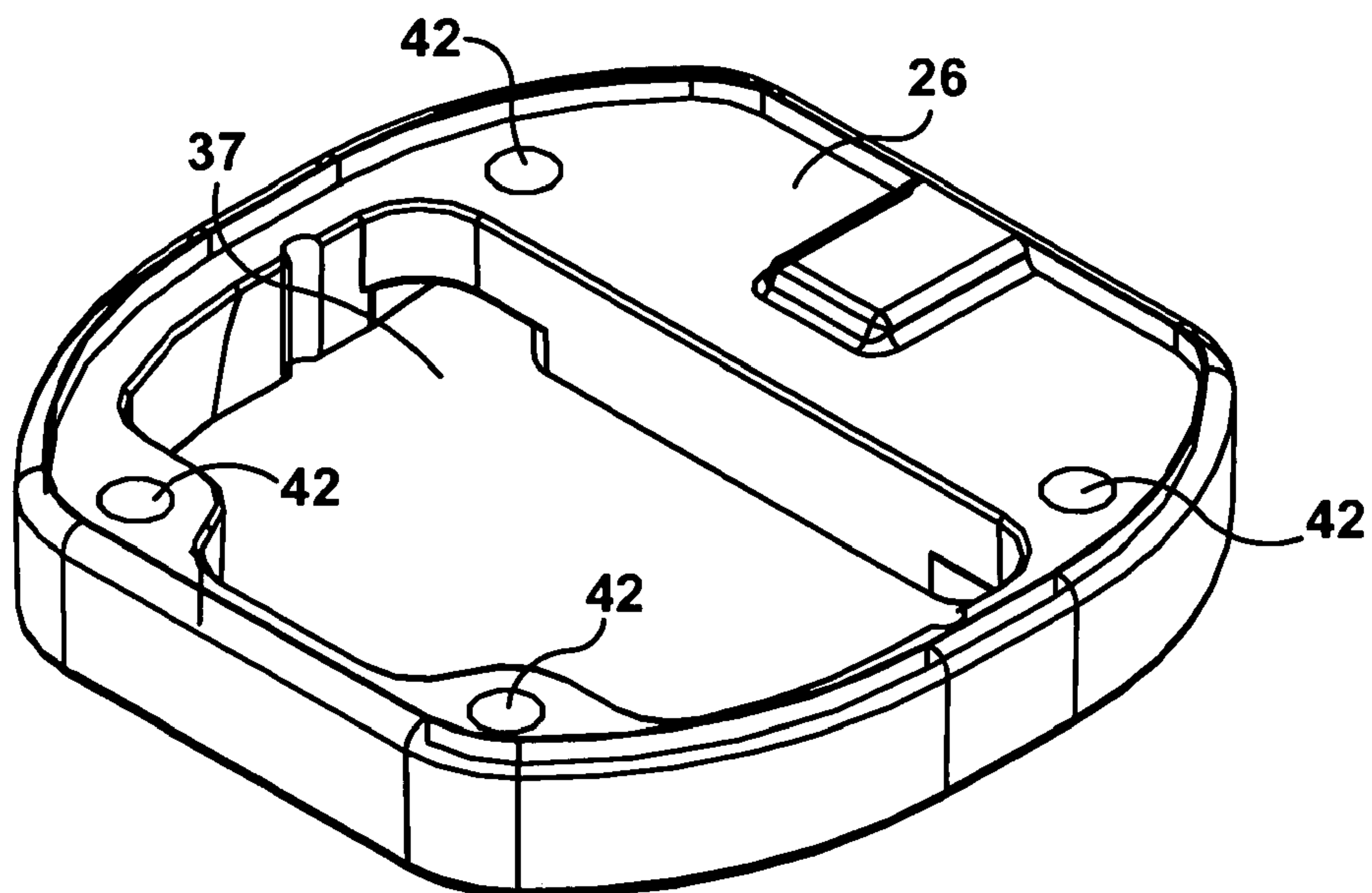


Figure 8A

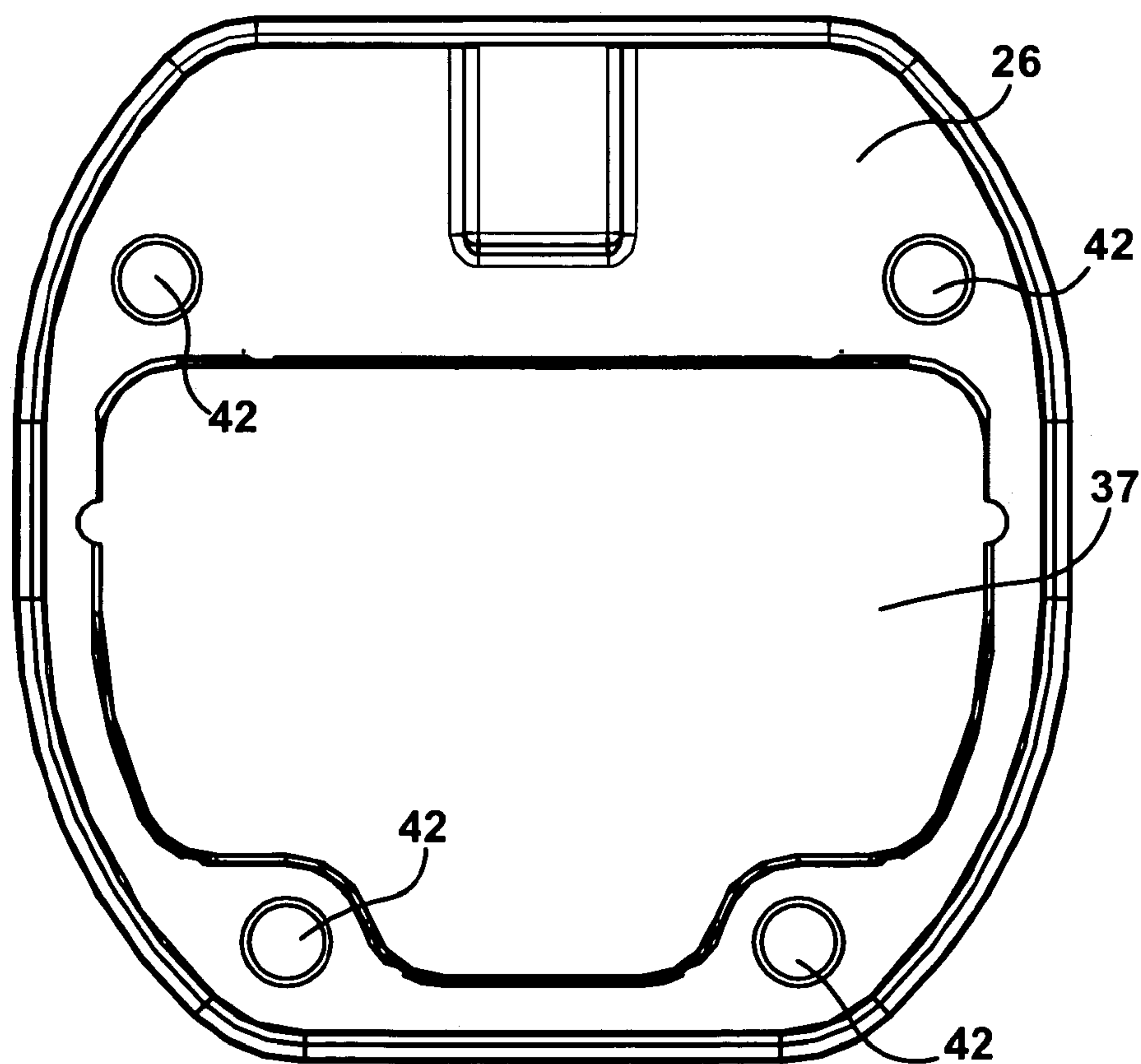


Figure 8B

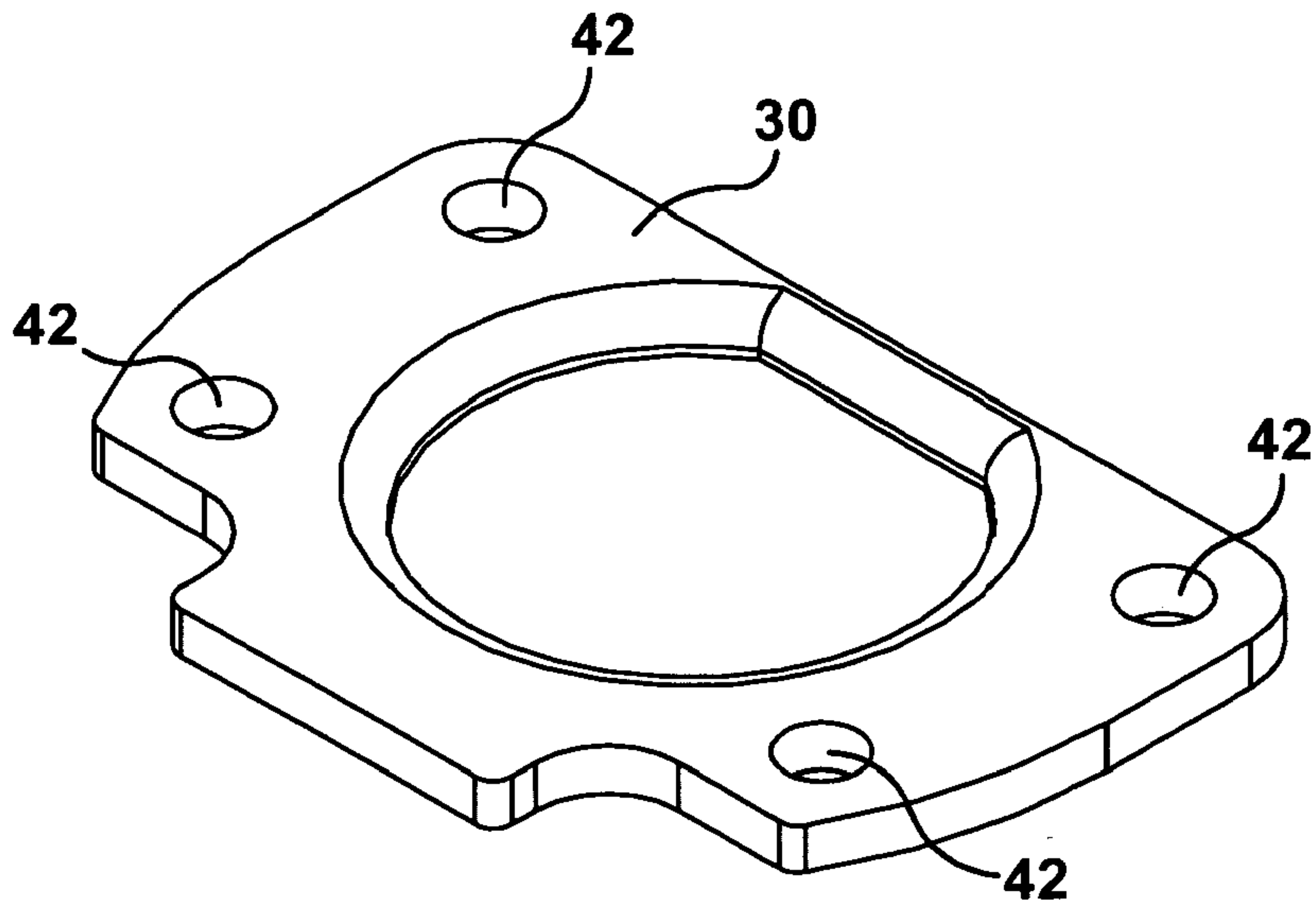


Figure 9A

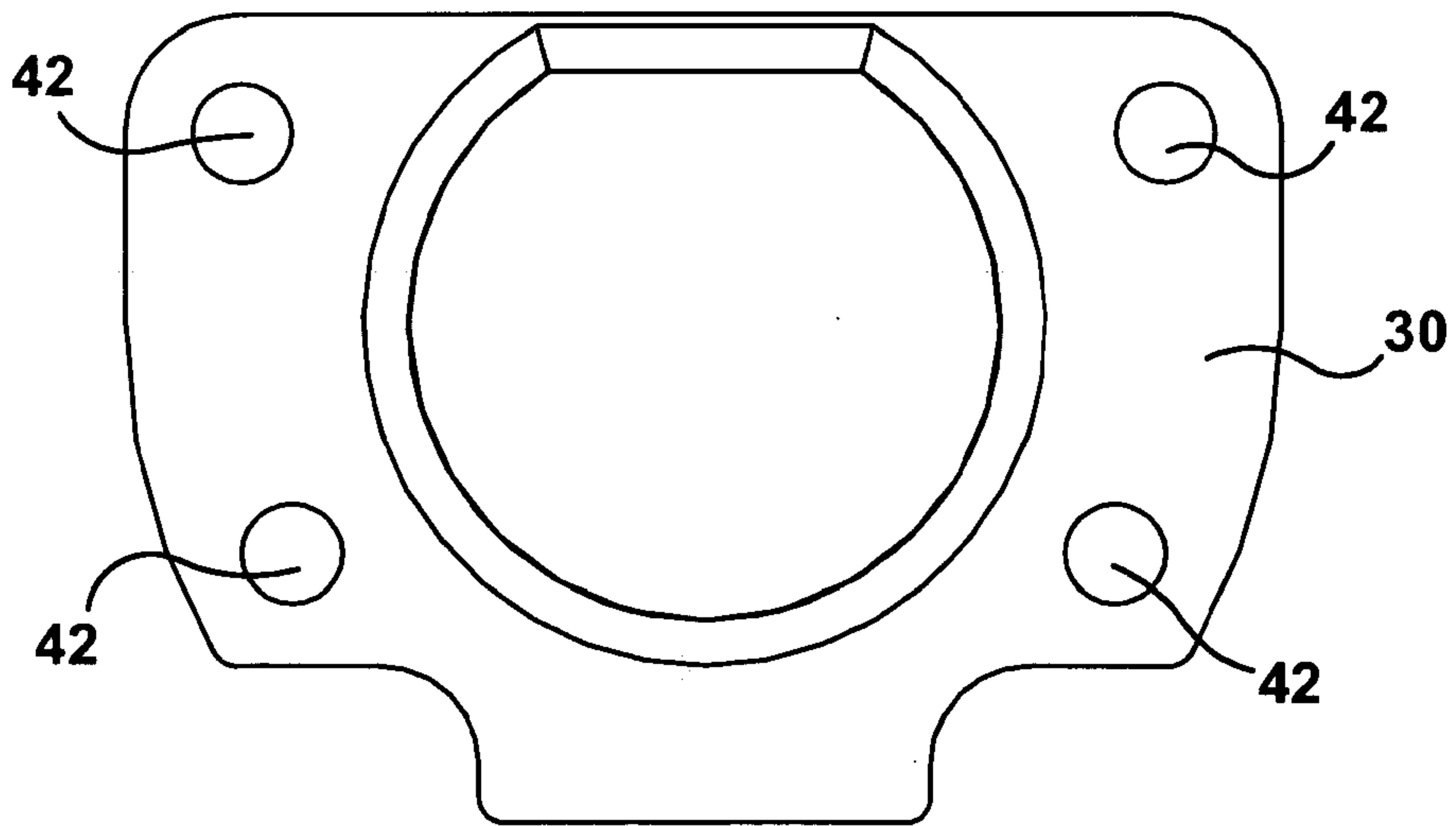


Figure 9B

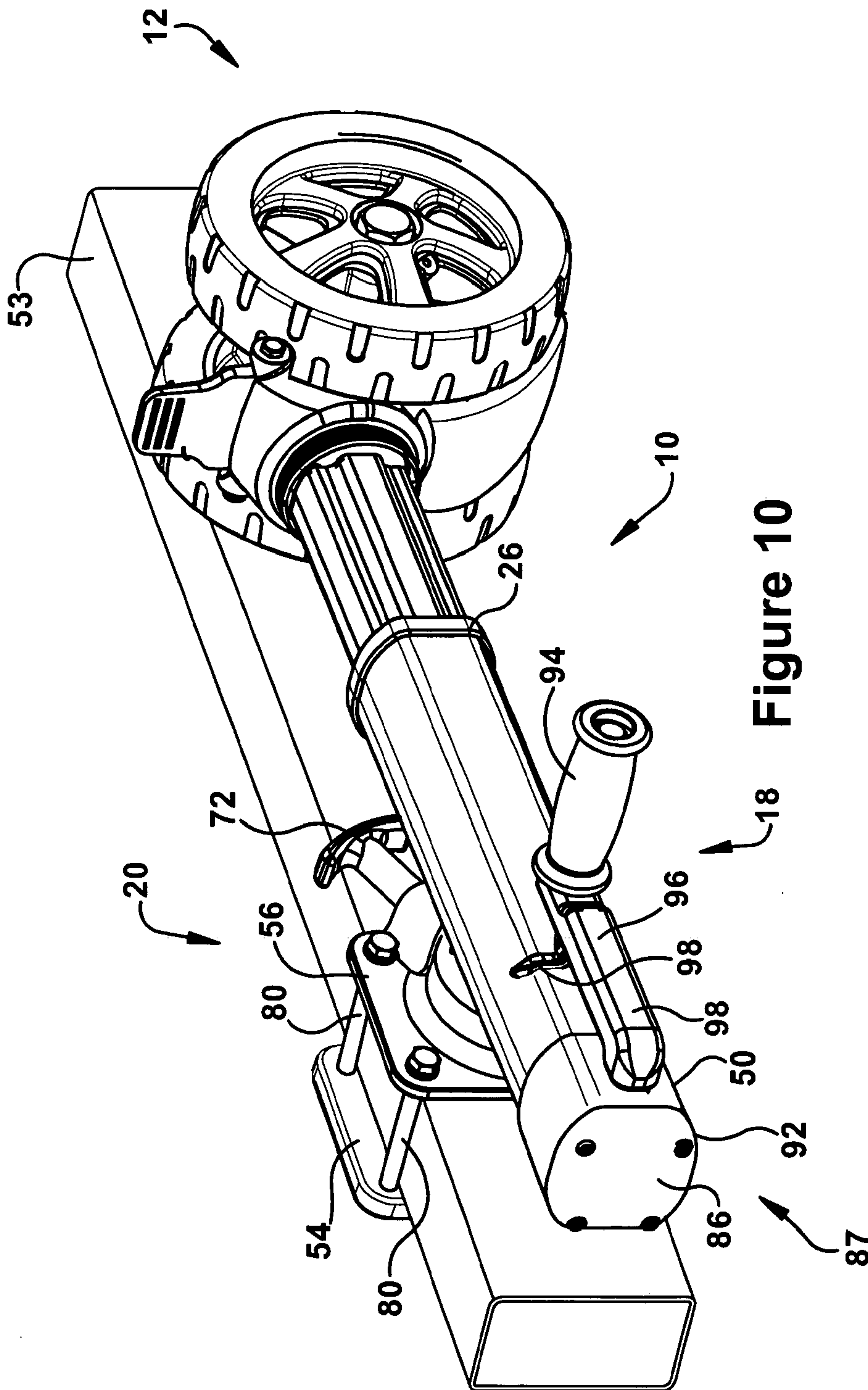


Figure 10

10/18

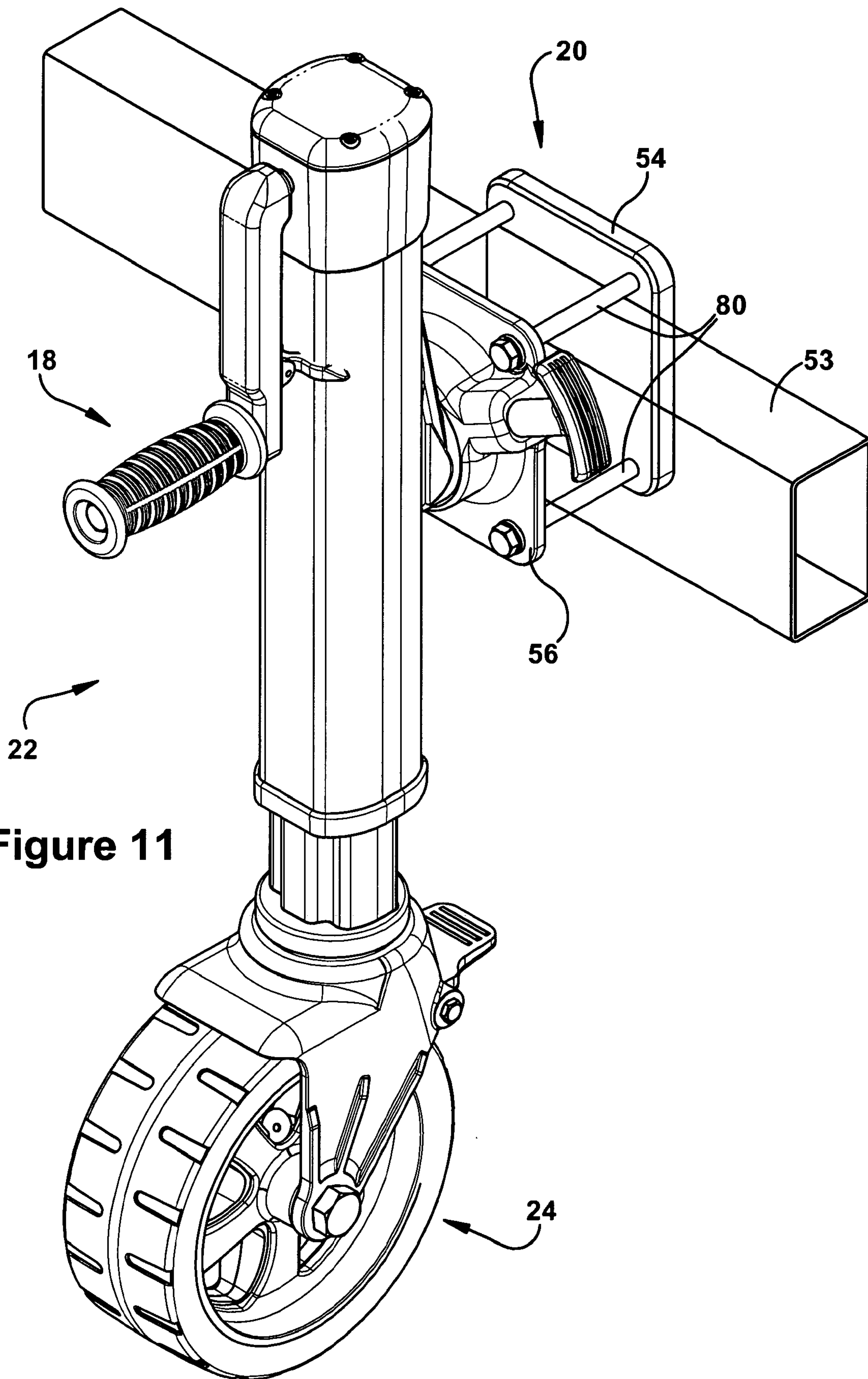


Figure 11

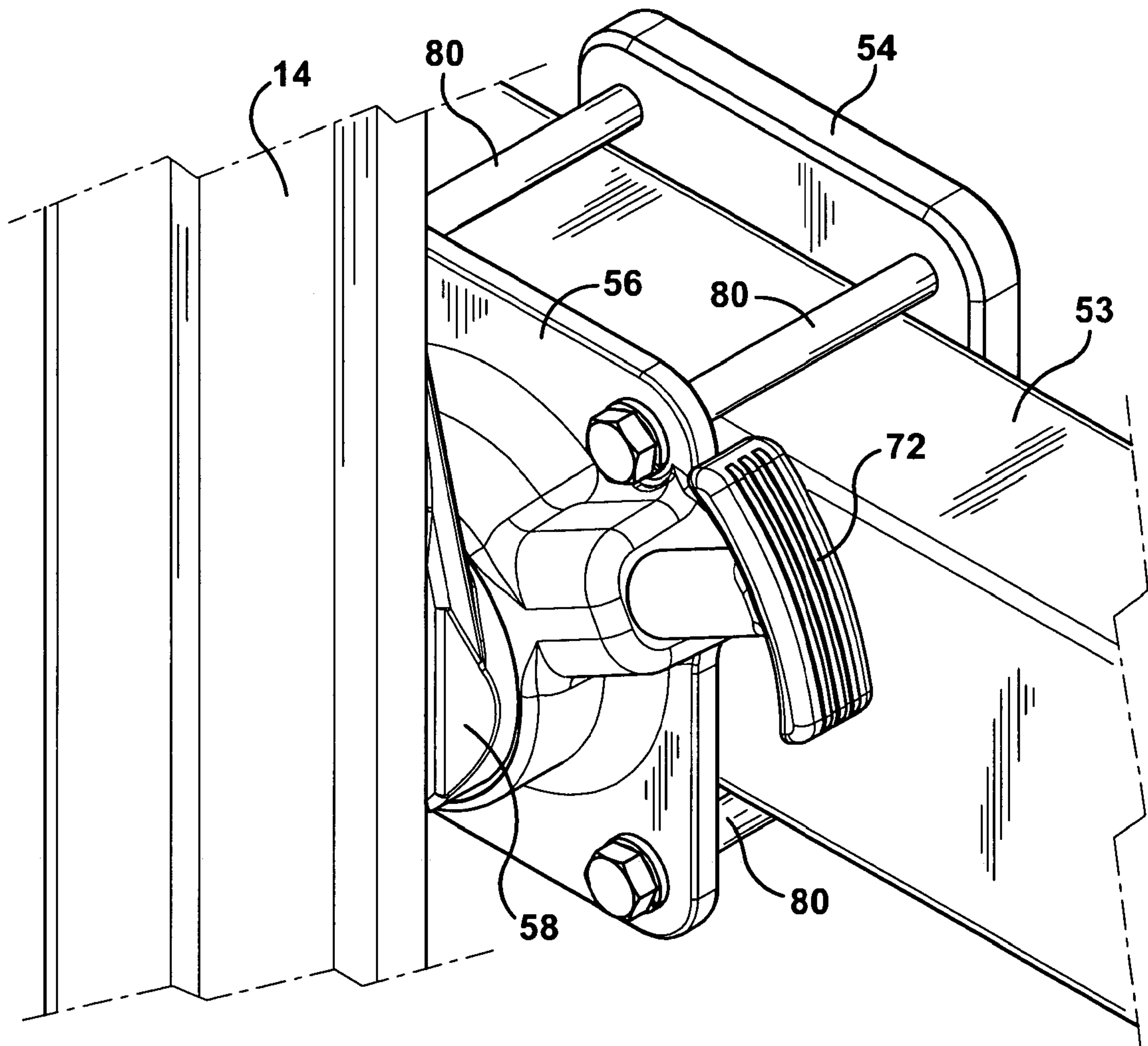


Figure 12

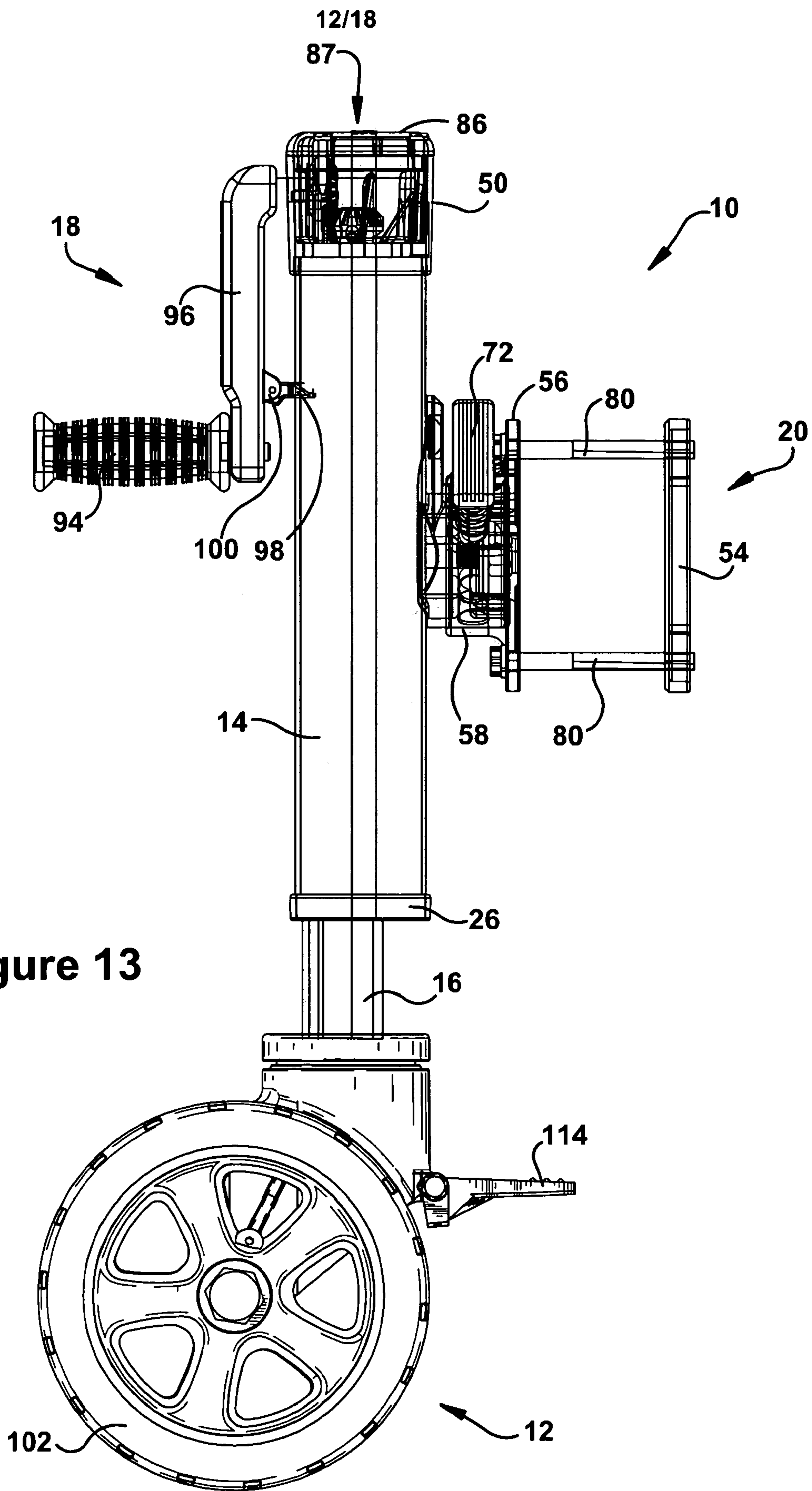


Figure 13

13/18

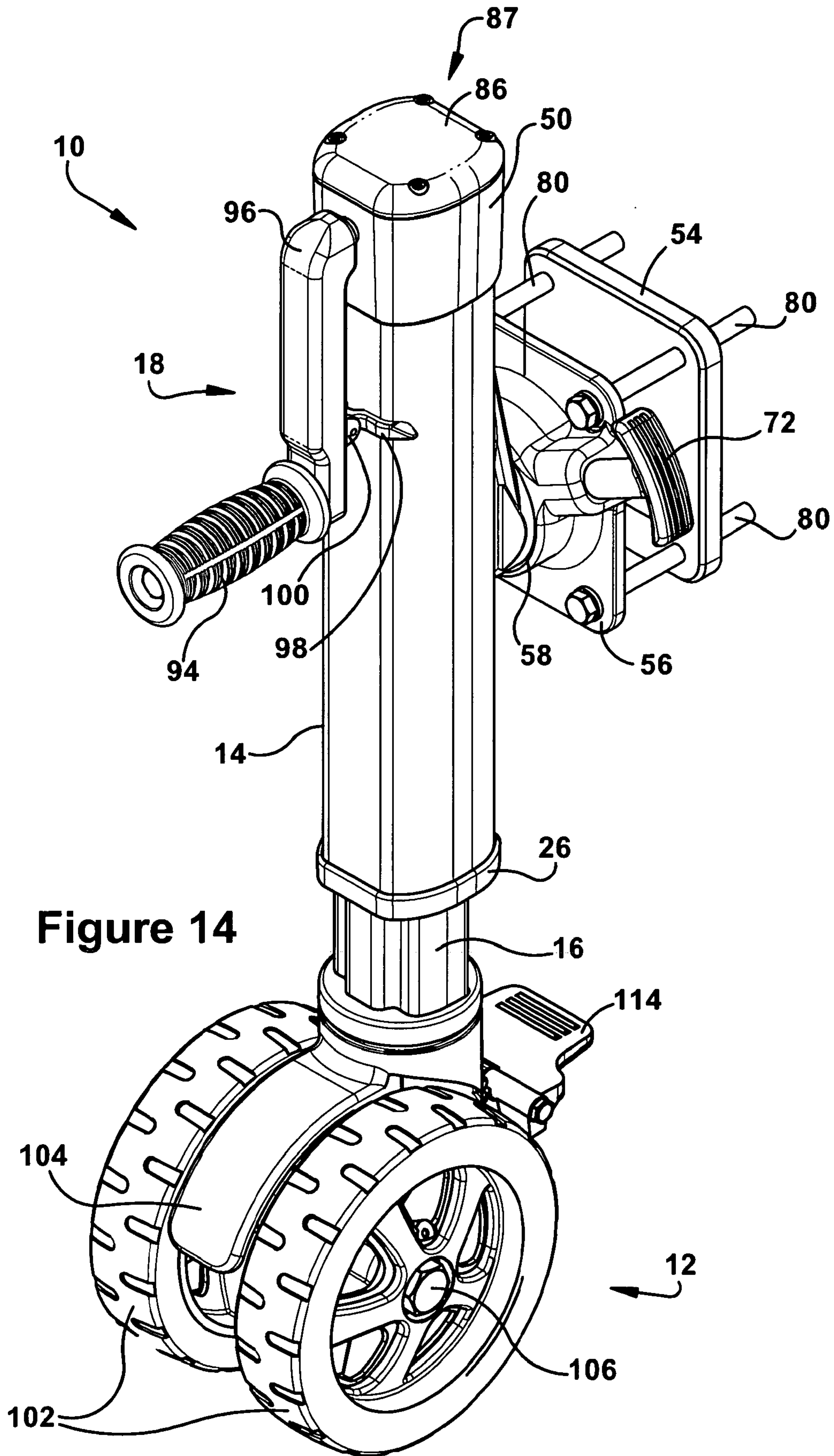


Figure 14

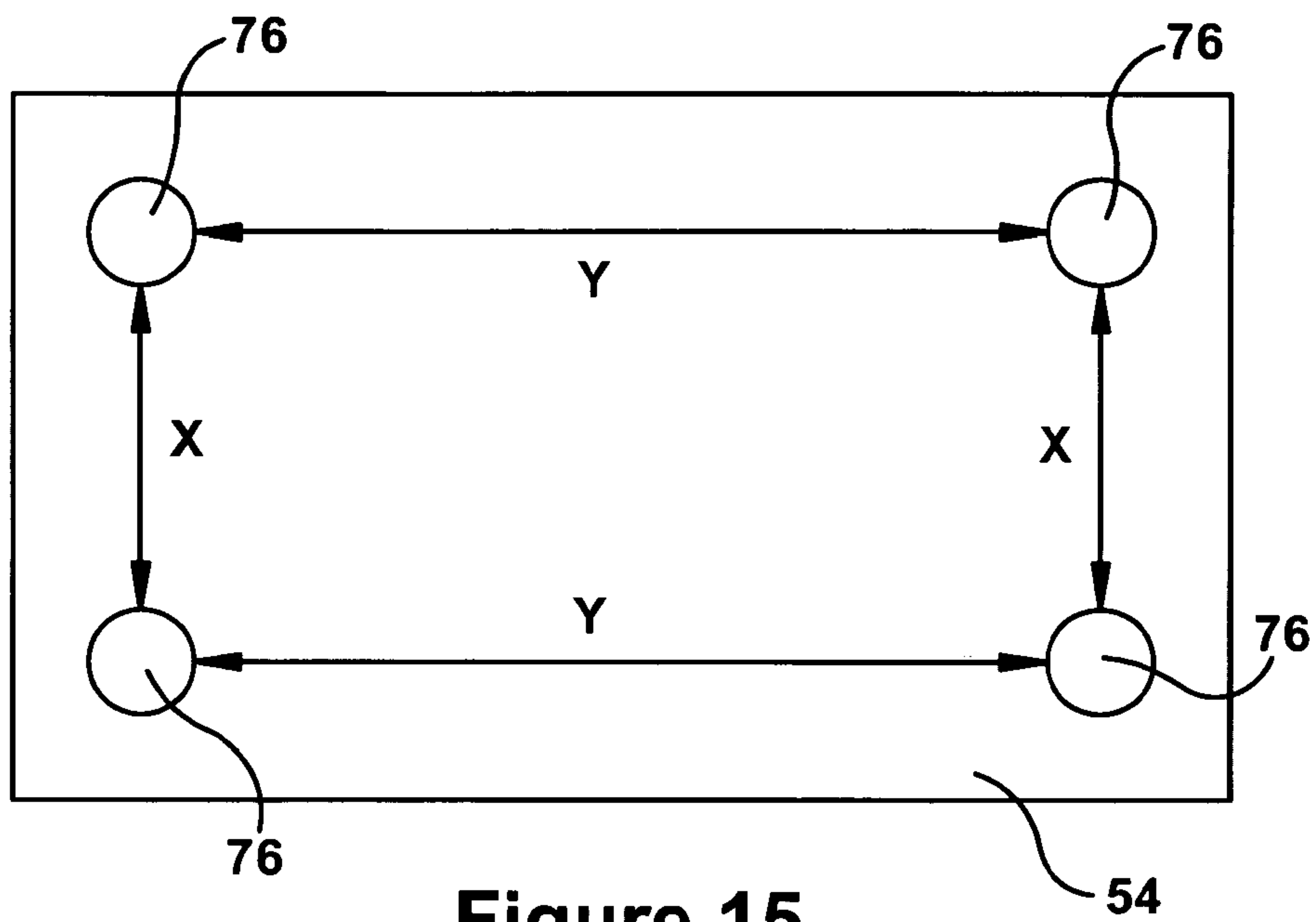


Figure 15

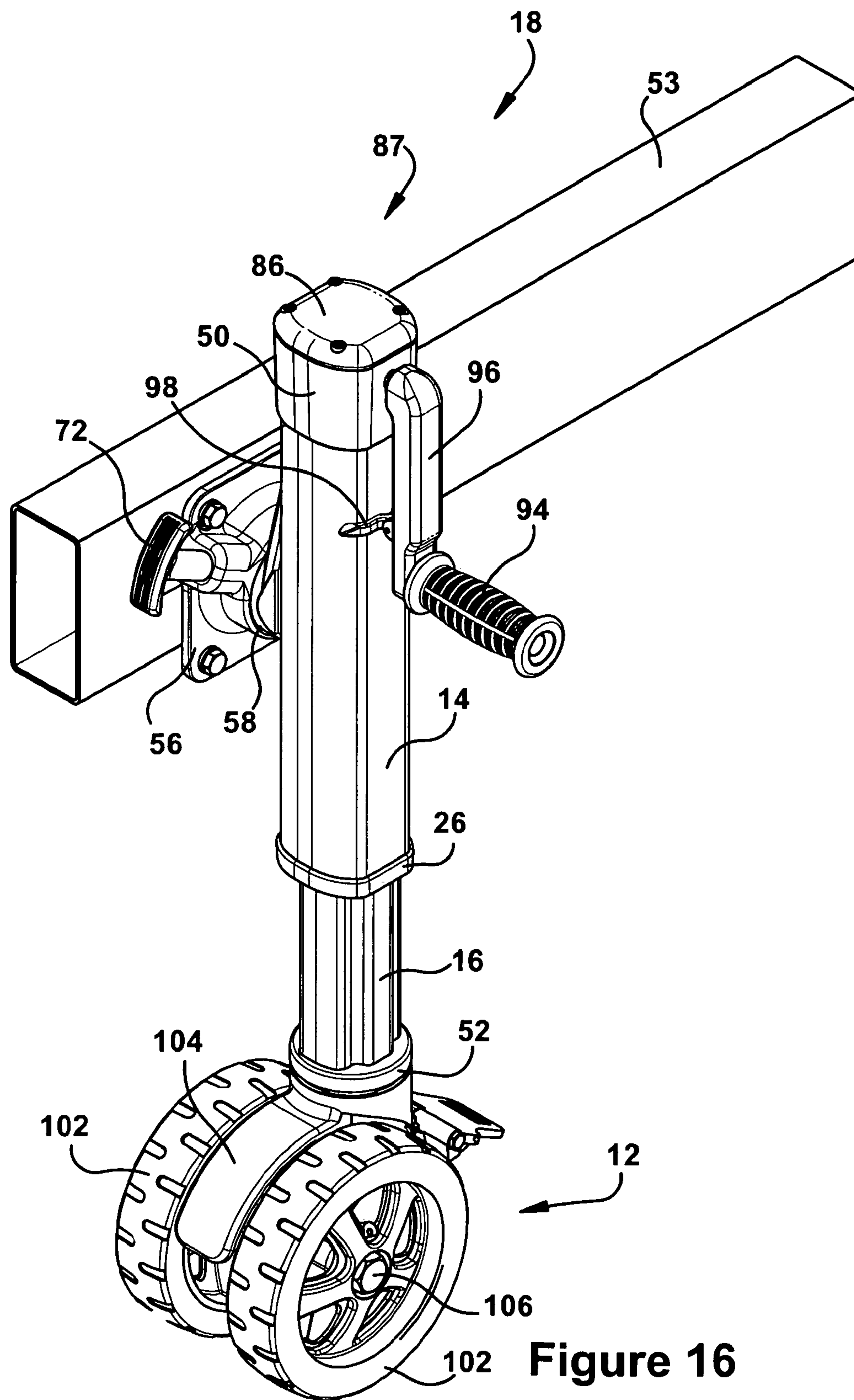


Figure 16

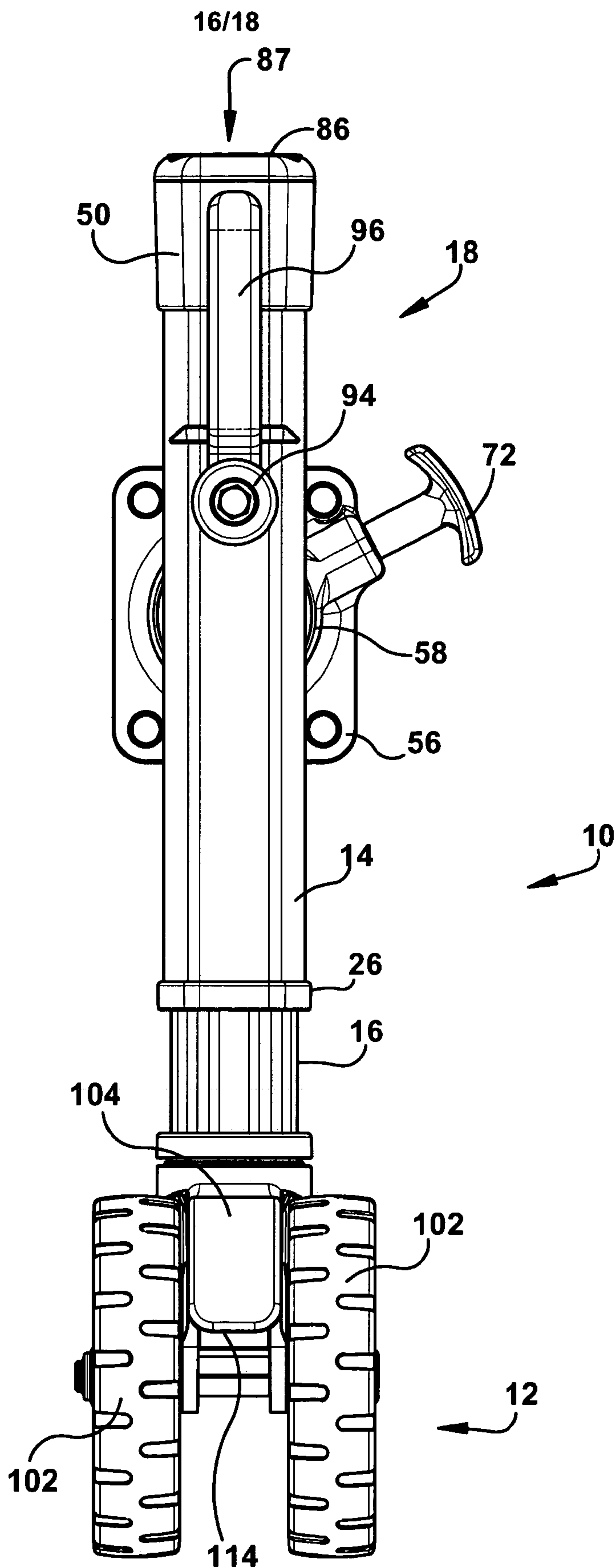


Figure 17

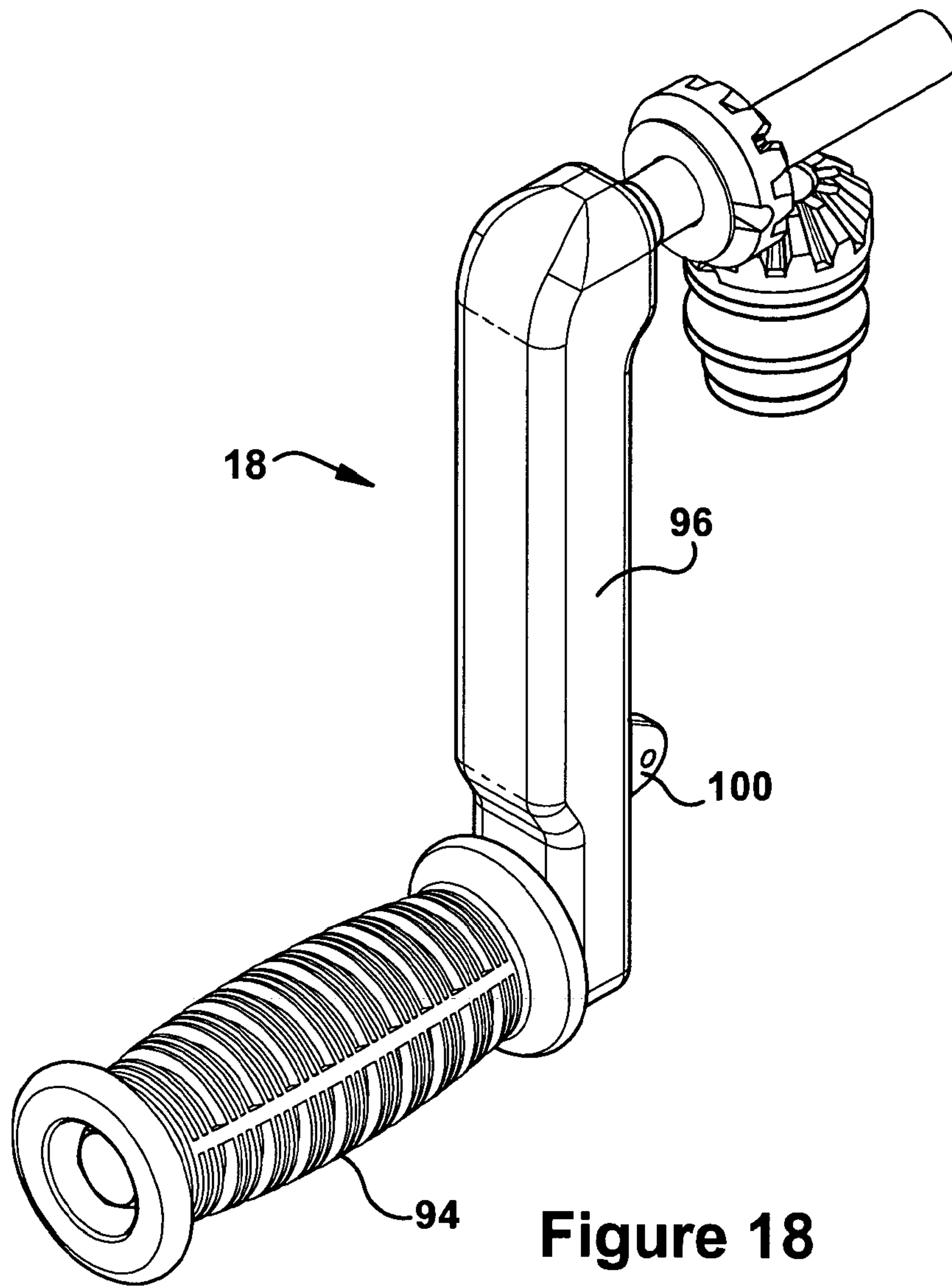


Figure 18

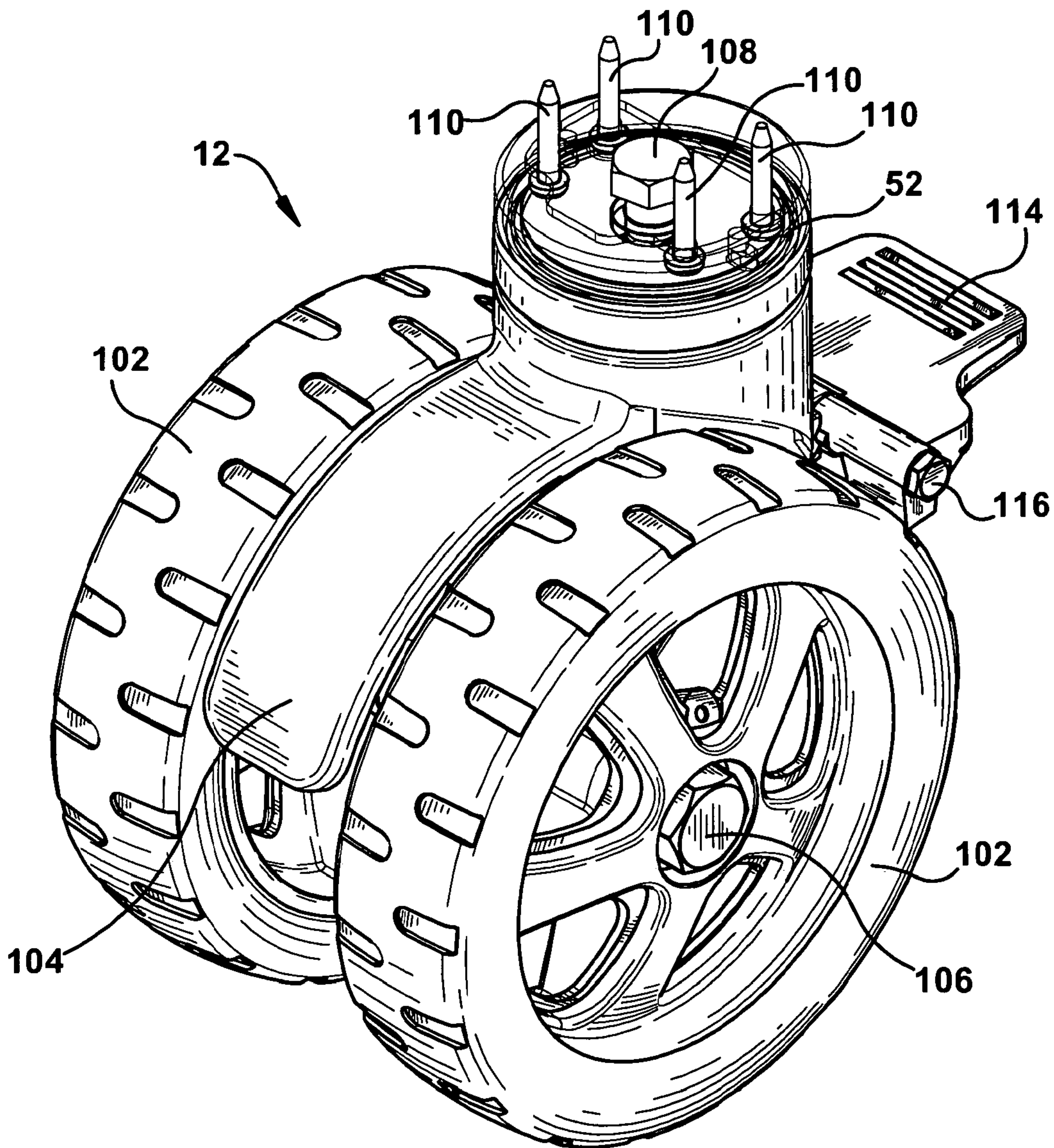


Figure 19

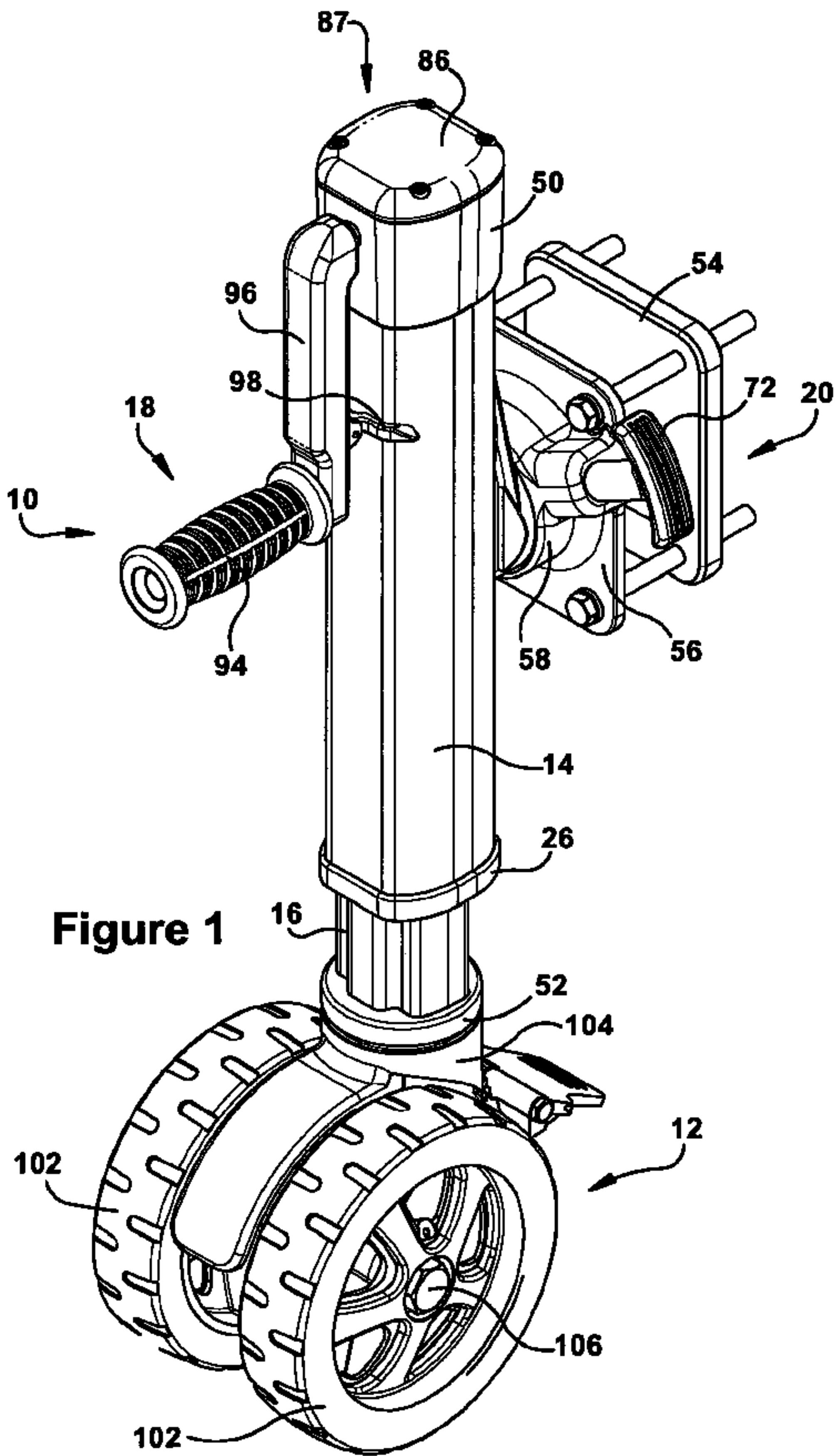


Figure 1