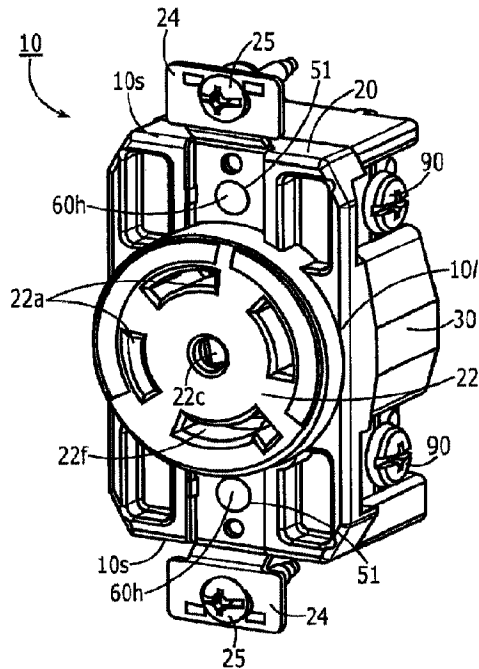




(22) Date de dépôt/Filing Date: 2017/08/03
(41) Mise à la disp. pub./Open to Public Insp.: 2018/02/12
(45) Date de délivrance/Issue Date: 2024/02/27
(30) Priorité/Priority: 2016/08/12 (US15/235,356)

(51) Cl.Int./Int.Cl. *H01R 13/502* (2006.01),
H01R 43/00 (2006.01)
(72) Inventeurs/Inventors:
ZHANG, GEORGE, CN;
ZHUANG, ALEX, CN;
VO, DAI, US
(73) Propriétaire/Owner:
EATON INTELLIGENT POWER LIMITED, IE
(74) Agent: BERESKIN & PARR LLP/S.E.N.C.R.L.,S.R.L.

(54) Titre : PRISES D'ALIMENTATION ET METHODES D'ASSEMBLAGE ASSOCIEES
(54) Title: POWER RECEPTACLES AND ASSOCIATED METHODS OF ASSEMBLY



(57) Abrégé/Abstract:

Power receptacles with cover with an electrical outlet and a base attached to the cover. The base includes a plurality of spaced apart electrical contacts under the electrical outlet. At least one of the cover or the base includes at least one internal attachment member that cooperates with a receiving channel in the other of the cover or the base to frictionally attach the cover and base together. The at least one attachment member can be a plurality of such members and one or more can include ribs, optionally crush ribs.

POWER RECEPTACLES AND ASSOCIATED METHODS OF ASSEMBLY

Abstract

Power receptacles with cover with an electrical outlet and a base attached to the cover. The base includes a plurality of spaced apart electrical contacts under the electrical outlet. At least one of the cover or the base includes at least one internal attachment member that cooperates with a receiving channel in the other of the cover or the base to frictionally attach the cover and base together. The at least one attachment member can be a plurality of such members and one or more can include ribs, optionally crush ribs.

POWER RECEPTACLES AND ASSOCIATED METHODS OF ASSEMBLY

Field of the Invention

[0001] The present invention relates to power receptacles.

Background of the Invention

[0002] Power receptacles conventionally employ rivets that attach a cover to a base. There is a need for improved cover to base interfaces.

Summary of Embodiments of the Invention

[0003] Embodiments of the present invention are directed to power receptacles with internal attachment members that can slidably attach the cover and the base.

[0004] Embodiments of the present invention are directed to power receptacles that include a cover with an electrical outlet and a base attached to the cover. The base includes a plurality of spaced apart electrical contacts under the electrical outlet. At least one of the cover or the base (or both) includes at least one internal attachment member that cooperates with a receiving channel in the other of the cover or the base to frictionally attach the cover and base together.

[0005] The at least one internal attachment member can be a plurality of internal attachment members.

[0006] The internal attachment member(s) can be cylindrical and at least one of the internal attachment members can have an open center channel

[0007] One of the internal attachment members can have a larger outer diameter than at least one other.

[0008] The at least one internal attachment member can have a length that is between 0.1 inches and about 0.4 inches and can have a cylindrical wall with a longitudinally extending slot.

[0009] The at least one internal attachment member can include a plurality of longitudinally extending spaced apart external ribs that contact an inner surface of a wall of the receiving channel to frictionally attach the cover and base together. The ribs can optionally be crush ribs.

[0010] The at least one internal attachment member can have a cylindrical wall with circumferentially spaced apart ribs on an outer surface thereof. The at least one internal attachment member can have a longitudinally extending slot extending between adjacent external ribs in the wall.

[0011] The power receptacle can further include first and second rivets positioned on opposing sides of the electrical outlet. The first and second rivets can extend through aligned channels in the cover and base. The first and second rivets can have a length that is at least twice a length of the at least one internal attachment member.

[0012] The at least one internal attachment member can include a first internal attachment member that has an open center channel and surrounds a fixation device extending through the open center channel. The receiving channel can have a first portion with a larger diameter and shorter length than a second portion so that the receiving channel frictionally engages the first internal attachment member with the open center channel at the first portion and the fixation device extends through the first portion and the second portion so that a tail thereof is exposed on a bottom of the base.

[0013] The cover can include the at least one internal attachment member that cooperates with the receiving channel in the base to frictionally attach the cover and base together.

[0014] The at least one internal attachment member can include or be only three internal attachment members, including first and second cylindrical internal attachment members with open center channels residing closer to a first short side of the cover and a third cylindrical internal attachment member with an open center channel residing closer to a second opposing short side of the cover.

[0015] The first and second internal attachment members can have smaller outer diameters than the third internal attachment member.

[0016] The power receptacle can be a three phase electrical outlet.

[0017] The internal attachment member(s) can be attached to the aligned receiving channel with a pull out force of between 1 lbf and 10 lbf, optionally between about 4 lbf and about 6 lbf.

[0018] The at least one internal attachment member can be a plurality of spaced apart internal attachment members. The cover can hold the internal attachment members and the base can hold aligned receiving channels. The power receptacle can further include first and second

rivets that extend through the cover and the base to secure the cover and base together with a rivet attachment. The internal attachment members can frictionally pre-attach the cover and base together without the rivet attachment from the first and second rivets.

[0019] The internal attachment members can include first and second internal attachment members residing closer to a first short side of the cover and a third internal attachment member residing closer to a second opposing short side of the cover. One of the first and second rivets can extend through an open center channel of the third attachment member.

[0020] The power receptacle can further include first and second terminal screws that are orthogonal to the at least one internal attachment member. One of the at least one internal attachment member can reside between a short end of the cover and the first or second terminal screw.

[0021] Other embodiments are directed to methods of assembling a power receptacle. The methods include: providing a cover of a power receptacle; providing a base of a power receptacle; orienting the base and cover to face each other and aligning internal attachment members with mating channels; press-fitting the internal attachment members into the aligned mating channels; and then riveting the base and cover together after the press-fitting.

[0022] The internal attachment members can include external crush ribs. The press-fitting can be carried out by crushing the ribs against an inner surface of respective mating channels.

[0023] The method can further include inserting a rivet through one of the internal attachment members before, during or with the press-fitting and prior to the riveting.

[0024] The cover can hold the internal attachment members and the base can hold the mating channels. The internal attachment members can be cylindrical and at least one can have a larger outer diameter than another. The press-fitted internal attachment members can have a pull out force of between 1 lbf and 10 lbf, optionally between about 4 lbf and about 6 lbf.

[0025] Further features, advantages and details of the present invention will be appreciated by those of ordinary skill in the art from a reading of the figures and the detailed description of the preferred embodiments that follow, such description being merely illustrative of the present invention.

[0026] It is noted that aspects of the invention described with respect to one embodiment, may be incorporated in a different embodiment although not specifically described relative

thereto. That is, all embodiments and/or features of any embodiment can be combined in any way and/or combination. Applicant reserves the right to change any originally filed claim or file any new claim accordingly, including the right to be able to amend any originally filed claim to depend from and/or incorporate any feature of any other claim although not originally claimed in that manner. These and other objects and/or aspects of the present invention are explained in detail in the specification set forth below.

Brief Description of the Drawings

[0027] **Figure 1** is a front view of an exemplary power receptacle according to embodiments of the present invention.

[0028] **Figure 2** is side, top perspective partially exploded view of the exemplary power receptacle shown in **Figure 1**.

[0029] **Figure 3** is a side, bottom perspective partially exploded view of the exemplary power receptacle shown in **Figure 1**.

[0030] **Figure 4** is a side assembled view of the device shown in **Figure 1** according to embodiments of the present invention.

[0031] **Figure 5** is a bottom perspective view of the device shown in **Figure 1** according to embodiments of the present invention.

[0032] **Figure 6** is a top assembled view of the device shown in **Figure 1**.

[0033] **Figures 7A and 7B** are greatly enlarged bottom perspective views of a power receptacle with exemplary inwardly extending members with external crush ribs according to embodiments of the present invention.

[0034] **Figure 8** is a schematic illustration of an internal attachment member and a receiving channel with crush ribs according to embodiments of the present invention.

[0035] **Figure 9** is a schematic cross-sectional view of a receiving channel according to embodiments of the present invention.

[0036] **Figure 10** is a flow chart of exemplary assembly operations of a power receptacle according to embodiments of the present invention.

Detailed Description of Embodiments of the Invention

[0037] The present invention now will be described more fully hereinafter with reference to the accompanying drawings, in which illustrative embodiments of the invention are shown. Like numbers refer to like elements and different embodiments of like elements can be designated using a different number of superscript indicator apostrophes (e.g., **10**, **10'**, **10''**, **10'''**). Abbreviated versions of the word "Figure" such as "FIG." and "Fig." are used interchangeably in the application. Broken line boxes in the figures indicate optional features.

[0038] In the drawings, the relative sizes of regions or features may be exaggerated for clarity. This invention may, however, be embodied in many different forms and should not be construed as limited to the embodiments set forth herein; rather, these embodiments are provided so that this disclosure will be thorough and complete, and will fully convey the scope of the invention to those skilled in the art.

[0039] It will be understood that, although the terms first, second, etc. may be used herein to describe various elements, components, regions, layers and/or sections, these elements, components, regions, layers and/or sections should not be limited by these terms. These terms are only used to distinguish one element, component, region, layer or section from another region, layer or section. Thus, a first element, component, region, layer or section discussed below could be termed a second element, component, region, layer or section without departing from the teachings of the present invention.

[0040] Spatially relative terms, such as "beneath", "below", "lower", "above", "upper" and the like, may be used herein for ease of description to describe one element or feature's relationship to another element(s) or feature(s) as illustrated in the figures. It will be understood that the spatially relative terms are intended to encompass different orientations of the device in use or operation in addition to the orientation depicted in the figures. For example, if the device in the figures is turned over, elements described as "below" or "beneath" other elements or features would then be oriented "above" the other elements or features. Thus, the exemplary term "below" can encompass both an orientation of above and below. The device may be otherwise oriented (rotated 90° or at other orientations) and the spatially relative descriptors used herein interpreted accordingly.

[0041] The term "about" refers to numbers in a range of +/-20% of the noted value.

[0042] As used herein, the singular forms "a", "an" and "the" are intended to include the

plural forms as well, unless expressly stated otherwise. It will be further understood that the terms "includes," "comprises," "including" and/or "comprising," when used in this specification, specify the presence of stated features, integers, steps, operations, elements, and/or components, but do not preclude the presence or addition of one or more other features, integers, steps, operations, elements, components, and/or groups thereof. It will be understood that when an element is referred to as being "connected" or "coupled" to another element, it can be directly connected or coupled to the other element or intervening elements may be present. As used herein, the term "and/or" includes any and all combinations of one or more of the associated listed items.

[0043] Unless otherwise defined, all terms (including technical and scientific terms) used herein have the same meaning as commonly understood by one of ordinary skill in the art to which this invention belongs. It will be further understood that terms, such as those defined in commonly used dictionaries, should be interpreted as having a meaning that is consistent with their meaning in the context of this specification and the relevant art and will not be interpreted in an idealized or overly formal sense unless expressly so defined herein.

[0044] Turning now to the figures, **Figures 1-6** illustrate an exemplary power receptacle **10**, also interchangeably referred to as a "receptacle." As is well known, a power receptacle is a point of connection between electrically powered devices, such as computers, and a power distribution system, such as a power distribution of a structure such as a building. The power receptacle **10** can be configured, for example, as an in-floor, in-wall device, surface-mount device, or a device integrated into another device or even as an appliance.

[0045] The receptacle **10** can have a cover **20** and a base **30** that are attached together. Referring to **Figure 2**, the base **30** can have an internal cavity **30c** that holds a plurality of spaced apart electrical contacts **40** that face the cover **20**.

[0046] As shown in **Figures 1, 2 and 6**, the cover **20** of the power receptacle **10** can comprise at least one electrical outlet **22**. The electrical outlet **22** can have at least one female connector or socket **22f** which is configured to receive male connectors (plug-in electrical connectors) to engage the internal electrical contacts **40**. In some embodiments, the socket **22f** can be a 4-prong socket. The socket **22f** can include a plurality of circumferentially extending and circumferentially spaced apart apertures **22a** surrounding a central aperture **22c**.

[0047] As shown in **Figures 1-6**, the receptacle **10** can include outer ears **24** that can include mounting (typically threaded) members **25** that can be used to attach to a desired structure for mounting the power receptacle **10**. The ears **24** are typically attached to and/or part of the cover **20**.

[0048] As shown in **Figures 3** and **5**, the receptacle **10** may include a ground strap **80** that can optionally reside on the bottom of the base **30**.

[0049] Referring now to **Figures 2** and **3**, the receptacle **10** can include at least one internal attachment member **65** that extends inwardly and that can slidably enter and engage an aligned/mating receiving channel **50** to attach the cover **20** and the base **30**. The internal attachment member(s) **65** can be configured to frictionally attach to the mating channel **50** with a pull out force that can allow manual disengagement of the base and cover. The internal attachment member(s) **65** can have pull out forces of between about 1 lbf to about 10 lbf, more typically between about 4 lbf and about 6 lbf. The at least one internal attachment member **65** can be used to pre-attach the cover **20** and the base **30** together before the fixation device **60** is secured to the base **30**, the latter can provide a more secure attachment than the use of only the at least one internal attachment member **65**. **Figures 2** and **3** show the internal attachment member **65** as held by the cover **20** and projecting a short distance inward toward a channel **50** in the base **30**. However, the reverse configuration may be used where the at least one internal attachment member **65** is held by the base **30** and projects toward the cover **20** and the cover **20** can include the mating channel **50**. Also, the cover **20** and base **30** can each include one or more internal attachment members **65** and one or more receiving channels **50** (not shown).

[0050] The at least one internal attachment member **65** can comprise a plurality of external circumferentially spaced apart, longitudinally extending external ribs **65r** that slidably engage a wall of a corresponding receiving channel **50**. The ribs **65r** may be crush ribs. Other configurations of the at least one internal attachment member **65** may be used. For example, the attachment member can taper outward along its axis and/or flex to be able to frictionally engage the wall of the receiving channel **50**. Ribs **65r** are not required and slots **65s** are not required.

[0051] The internal attachment member(s) **65**, with optional ribs **65r**, can be polymeric molded members that may be unitary and monolithic to the base and/or cover **20, 30** or may be a mechanically attached component.

[0052] The term "crush ribs" refers to structural features that deform when contacted by an appropriately sized cooperating member when properly engaged/attached. The deformation can be permanent or may be sufficiently elastic to return the ribs to a pre-installation shape once attachment forces are removed. The ribs **65r** (or internal ribs **50r** of one or more receiving channels, where used such as shown in **Figure 8**) can have a rounded outer surface that project outward from a supporting substrate or surface or may have a peak configuration or combinations of same or any other suitable shape. In some embodiments, the at least one fixation member **65** can include a plurality of circumferentially spaced apart ribs, shown as four ribs in **Figures 7A** and **7B**, for example.

[0053] As shown in **Figures 3, 7A** and **7B**, for example, one or more of the at least one internal attachment member **65** can be cylindrical and may have an open center channel **65c**. Where a plurality of internal attachment members **65** are used, each of can have the same internally extending length or different ones of the internal attachment members **65** can have different lengths. Each internal attachment member **65** can be the same size and shape or be a different size and/or shape.

[0054] The internal attachment member(s) **65** can have a short length that is between about 0.1 inches and about 0.5 inches, more typically about 0.2 inches and is typically less than half the length of the mounting member **25** and/or fixation device **60**. That is the fixation device **60** can be at least twice the length of the attachment member **65**, typically at least about 0.4 inches such as between about 0.4 inches and about 2 inches.

[0055] As shown in **Figure 3**, in some embodiments, at least one of the at least one alignment member **65** can be concentric with and reside about a shaft **60s** (outer surface) of a longer fixation (mechanical fastener) device **60**.

[0056] The longer fixation device **60** can be a rivet, typically a rivet screw, but other mechanical fasteners may be used.

[0057] The receptacle **10** can also include terminal screws **90** that are orthogonal to the fixation devices **60** and extend through the base **30**.

[0058] As shown in **Figure 2**, the longer fixation device **60** can, before being installed and/or before engaged with the base **30**, have a smooth cylindrical shaft **60s** with a head on one end **60h** and a tail **60t** on the other. The tail **60t** (opposite the head) can extend through the bottom of the base **30**. To install, the fixation devices **60** can be placed in aligned channels **51**

extending through the cover **20** and base **30**. As shown in **Figure 5**, after insertion through the channel **51** in the base **30**, the tail **60t** can be deformed to expand to a larger size, typically about 1.1 to about 2 times, more typically about 1.5 times, the original shaft diameter.

[0059] **Figure 9** illustrates that the base **30** can have a channel **51** for one fixation device **60** that can have a first portion **51u** with a larger diameter than a longer second portion **51b**. The first portion **51f** defines the receiving channel **50a** for the internal member **65** that is concentric with the fixation device **60**. The first portion **51u** can have an upper portion with a depth "d" and a first diameter that is sized to snugly receive and abut the aligned internal member **65**. The second portion **51b** can be longer than the first portion and have a smaller diameter that corresponds to the outer diameter of the shaft **60s** of the fixation device **60**.

[0060] Typically, the at least one internal attachment member **65** is a plurality, shown as three but two or more than three may be used. The internal attachment members **65** can have a larger outer diameter than the diameter of the fixation device **60**.

[0061] In some embodiments, there are a plurality of internal attachment members **65**, at least one on one side of the socket **22** and another at least one on an opposing side of the socket **22**, each residing between a respective ear **24** and fixation device **60**, i.e., rivet.

[0062] Referring to **Figure 1**, the receptacle **10** can be rectangular and have two opposing long sides **10l** connected by two opposing short sides **10s**. **Figures 2, 3, 7A** and **7B** show that a pair of laterally spaced apart and longitudinally aligned internal attachment members **65b** can reside adjacent one short side **10s** and a single inwardly extending attachment member **65a** can reside adjacent the other short side **10s**.

[0063] As shown in **Figure 3**, the pair of internal (inwardly extending) attachment members **65b** can be laterally spaced apart and aligned to reside at a common longitudinal distance "D" from the center of the receptacle **10** (indicated by the dashed centerline axis), closer to the ear **24** than the socket **22**, and can have a smaller inner and outer diameter than that of the single member **65a**. A fixation device **60** can reside between the pair of internal inwardly extending members **65b**, closer to the socket. One fixation device **60** can extend through an open center channel **65c** of the single internal inwardly extending member **65a**.

[0064] **Figure 8** illustrates an embodiment where the channel **50** can comprise internal crush ribs **50r** that engage an outer wall of the inwardly extending attachment member **65**. The attachment member **65** may have a continuous solid outer wall or may be discontinuous and the

longitudinally extending slots **65s** are optional. As indicated by the reference to **20, 30** and **30, 20** in **Figure 8**, it is also contemplated that the channel **50** may be in the cover **20** rather than the base **30** and the at least one inwardly extending attachment member **65** can be held by the base **30**.

[0065] As shown, for example, in **Figures 7A** and **7B**, the inwardly extending member(s) **65** can be cylindrical with an open center channel **65c** surrounded by a wall **65w** with at least one longitudinally extending slot **65s**. In some embodiments, as shown in **Figures 7A** and **7B**, the at least one slot **65s** can comprise diametrically opposed and longitudinally extending slots **65s** positioned across the open center channel **65c**. A slot **65s** can reside between pairs of adjacent ribs **65r**.

[0066] The receptacle **10** can be configured as a single receptacle. In some embodiments, the receptacle **10** can be configured as a single gang, dual gang or other multiple gang receptacle. The receptacle **10** can be a three phase receptacle of suitable amperage and voltage rating for residential or commercial use. In some particular embodiments, the receptacle **10** can be a 30A 240/415V 4P5W device.

[0067] The receptacle **10** can be configured as an Arc Fault Circuit Interrupter (AFCI) and/or Ground Fault Circuit Interrupter (GFCI) receptacle. As is well known, AFCI and GFCI receptacles are among a variety of overcurrent protection devices used for circuit protection and isolation. A GFCI is a device that shuts off an electric circuit when it detects that current is flowing along an unintended path to reduce the risk of electric shock. The GFCI can be manually reset by pushing a reset button. There can also be a test button that can be used to verify that the GFCI works. An AFCI can be designed to help prevent fires by detecting an unintended electrical arc and disconnecting the power before the arc starts a fire.

[0068] **Figure 10** illustrates exemplary operations that can be used to assemble a power receptacle according to embodiments of the present invention. A cover of a power receptacle is provided (block **100**). A base of a power receptacle is also provided (block **110**). The base and cover are oriented to face each other and align internal attachment members with mating channels (block **120**). The internal attachment members are press-fitted into the mating channels (block **130**). The base and cover can be riveted together after the press fitting (block **140**).

[0069] The cover can comprise a plurality of the internal attachment members that have open center channels, one of which is concentric with a rivet channel in the base (block **105**).

[0070] The attachment members can be held by the cover and comprise crush ribs and the mating channels are in the base (block **122**).

[0071] The attachment members are held by the base and comprise crush ribs and the mating channels are in the cover (block **124**).

[0072] The cover can comprise a pair of longitudinally aligned internal attachment members on one side of the socket and a single one on another side of the socket, the single internal attachment member can have a larger outer diameter than the pair (block **107**).

[0073] Inserting a rivet through one of the internal attachment members before, during or with the press-fitting, prior to the riveting (block **132**).

[0001] The foregoing is illustrative of the present invention and is not to be construed as limiting thereof. Although a few exemplary embodiments of this invention have been described, those skilled in the art will readily appreciate that many modifications are possible in the exemplary embodiments without materially departing from the novel teachings and advantages of this invention. Accordingly, all such modifications are intended to be included within the scope of this invention. Therefore, it is to be understood that the foregoing is illustrative of the present invention and is not to be construed as limited to the specific embodiments disclosed, and that modifications to the disclosed embodiments, as well as other embodiments, are intended to be included within the scope of the invention.

What is claimed is:

1. A power receptacle, comprising:
 - a cover with an electrical outlet;
 - a base attached to the cover, the base comprising a plurality of spaced apart electrical contacts under the electrical outlet,
 - wherein at least one of the cover or the base includes at least one internal attachment member that cooperates with an aligned receiving channel in the other of the cover or the base to frictionally attach the cover and base together; and
 - first and second rivets positioned on opposing sides of the electrical outlet, wherein the first and second rivets extend through aligned channels in the cover and base, and wherein the first and second rivets have a length that is at least twice a length of the at least one internal attachment member.

2. The power receptacle of claim 1, wherein the at least one internal attachment member has a length between 0.1 inches and about 0.4 inches and comprises a cylindrical wall with a longitudinally extending slot.

3. The power receptacle of claim 1, wherein the cover includes the at least one internal attachment member that cooperates with the receiving channel in the base to frictionally attach the cover and base together.

4. The power receptacle of claim 1, further comprising first and second terminal screws that are orthogonal to the at least one internal attachment member, and wherein one of the at least one internal attachment member resides between a short end of the cover and the first or second terminal screw.

5. The power receptacle of claim 1, wherein the at least one internal attachment member comprises a first internal attachment member and a second spaced apart internal attachment member, wherein the first and second internal attachment members are cylindrical, and

wherein at least one of the first and second internal attachment members has an open center channel.

6. The power receptacle of claim 5, wherein one of the internal attachment members has a larger outer diameter than at least one other.

7. The power receptacle of claim 1, wherein the at least one internal attachment member comprises a plurality of longitudinally extending spaced apart external ribs that contact an inner surface of a wall of the receiving channel to frictionally attach the cover and base together.

8. The power receptacle of claim 7, wherein the ribs are crush ribs.

9. The power receptacle of claim 1, wherein the at least one internal attachment member comprises first, second and third cylindrical internal attachment members, wherein the first and second cylindrical internal attachment members have open center channels and reside closer to a first short side of the cover than the third cylindrical internal attachment member, and wherein the third cylindrical internal attachment member has an open center channel and resides closer to a second opposing short side of the cover than the first short side of the cover.

10. The power receptacle of claim 9, wherein the first and second cylindrical internal attachment members have smaller outer diameters than the third cylindrical internal attachment member.

11. The power receptacle of claim 1, wherein the at least one internal attachment member is a plurality of spaced apart internal attachment members, wherein the cover holds the internal attachment members and the base holds the aligned receiving channels, wherein the power receptacle further comprises first and second rivets that extend through the cover and the base to secure the cover and base together via a rivet attachment, and wherein the internal

attachment members frictionally pre-attach the cover and base together without the rivet attachment from the first and second rivets.

12. The power receptacle of claim 11, wherein the plurality of internal attachment members include first and second internal attachment members residing closer to a first short side of the cover and a third internal attachment member residing closer to a second opposing short side of the cover, with one of the first and second rivets extending through an open longitudinally extending center channel of the third attachment member.

13. A power receptacle, comprising:
a cover with an electrical outlet; and
a base attached to the cover, the base comprising a plurality of spaced apart electrical contacts under the electrical outlet,
wherein at least one of the cover or the base includes at least one internal attachment member that cooperates with an aligned receiving channel in the other of the cover or the base to frictionally attach the cover and base together,
wherein the at least one internal attachment member has a cylindrical wall with circumferentially spaced apart longitudinally extending external ribs thereon, and wherein the at least one internal attachment member comprises a longitudinally extending slot extending between adjacent ribs.

14. A power receptacle, comprising:
a cover with an electrical outlet; and
a base attached to the cover, the base comprising a plurality of spaced apart electrical contacts under the electrical outlet,
wherein at least one of the cover or the base includes at least one internal attachment member that cooperates with an aligned receiving channel in the other of the cover or the base to frictionally attach the cover and base together;
wherein the at least one internal attachment member comprises a first internal attachment member that has an open center channel and surrounds a fixation device extending

through the open center channel, and wherein the receiving channel has a first portion with a larger diameter and shorter length than a second portion so that the receiving channel frictionally engages the first internal attachment member with the open center channel at the first portion and the fixation device extends through the first portion and the second portion so that a tail thereof is exposed on a bottom of the base.

15. A power receptacle, comprising:
a cover with an electrical outlet; and
a base attached to the cover, the base comprising a plurality of spaced apart electrical contacts under the electrical outlet,
wherein at least one of the cover or the base includes at least one internal attachment member that cooperates with an aligned receiving channel in the other of the cover or the base to frictionally attach the cover and base together,
wherein the power receptacle is a three phase electrical outlet, and wherein the at least one internal attachment member is attached to the aligned receiving channel with a pull out force of between 1 lbf and 10 lbf.

16. The power receptacle of claim 15, wherein the pull out force is between about 4 lbf and about 6 lbf.

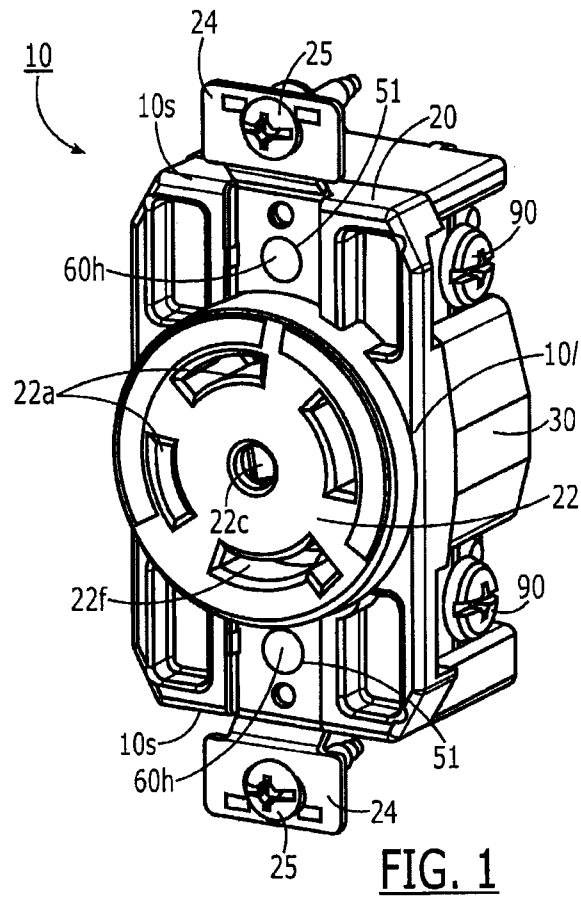
17. A method of assembling a power receptacle, comprising:
providing a cover of a power receptacle;
providing a base of a power receptacle;
orienting the base and cover to face each other and aligning internal attachment members with mating channels;
press-fitting the internal attachment members into the aligned mating channels; and
then
riveting the base and cover together after the press-fitting,
wherein the press-fitted internal attachment members have a pull out force of between 1 lbf and 10 lbf.

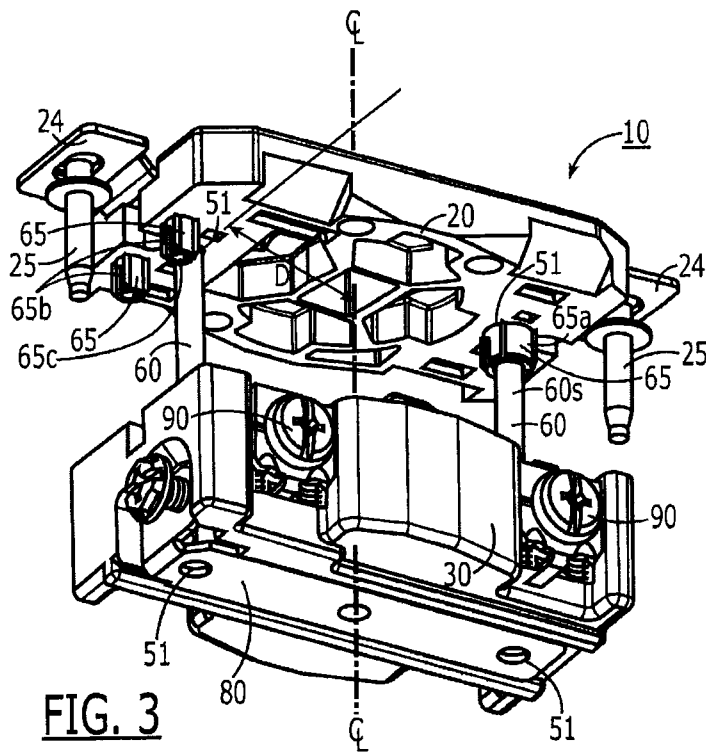
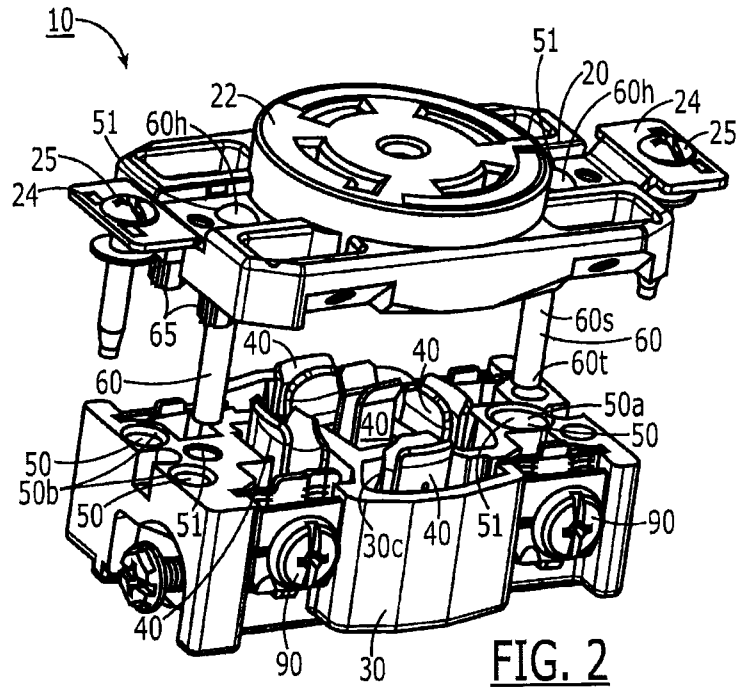
18. The method of claim 17, wherein the internal attachment members comprise external crush ribs, and wherein the press-fitting is carried out by crushing the ribs against an inner surface of respective mating channels.

19. The method of claim 17, further comprising inserting a rivet through one of the internal attachment members before, during or with the press-fitting and prior to the riveting.

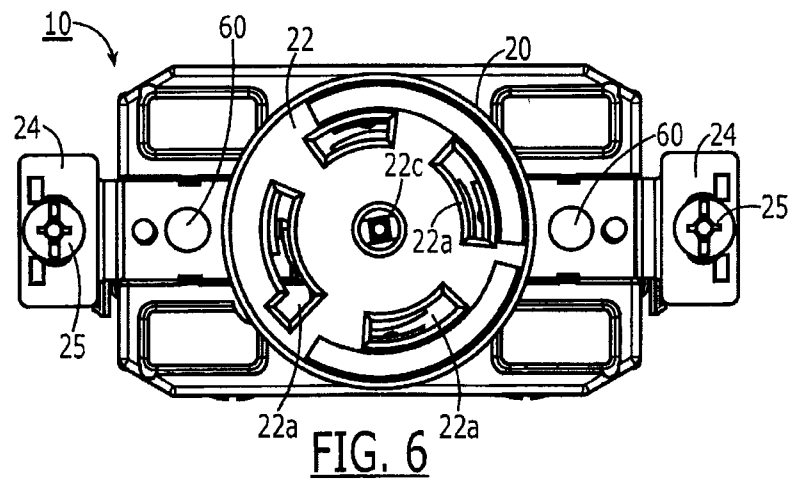
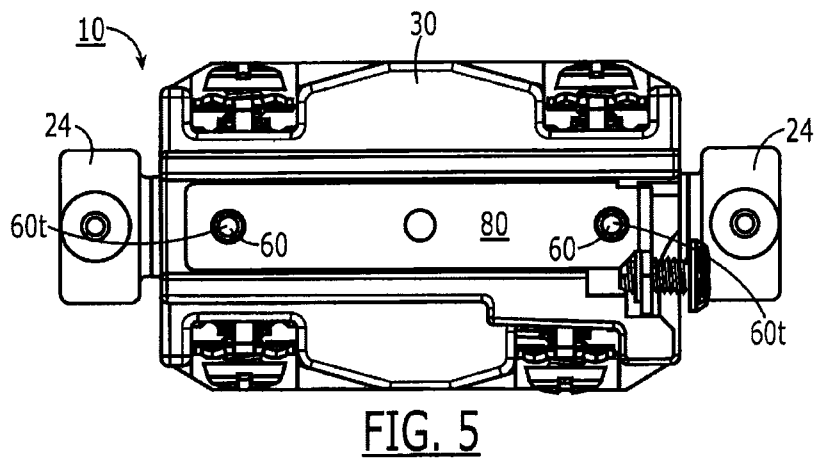
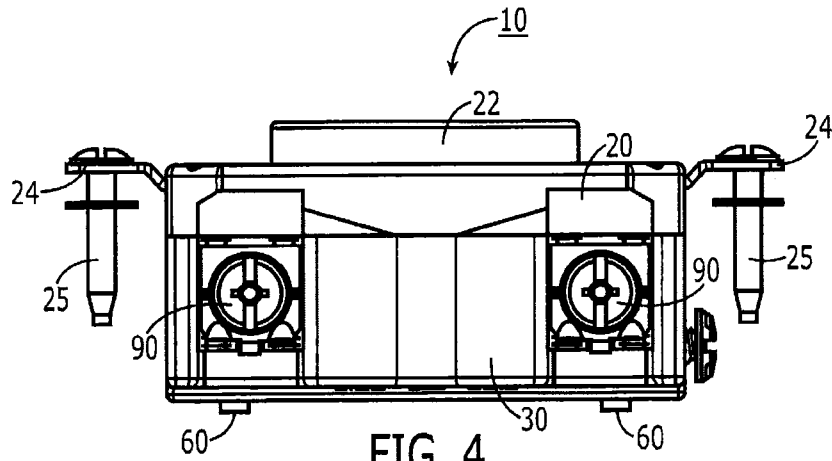
20. The method of claim 17, wherein the cover holds the internal attachment members and the base holds the mating channels, wherein the internal attachment members are cylindrical and at least one has a larger outer diameter than another.

21. The method of claim 17, wherein the press-fitted attachment members have a pull out force of between about 4 lbf and about 6 lbf.

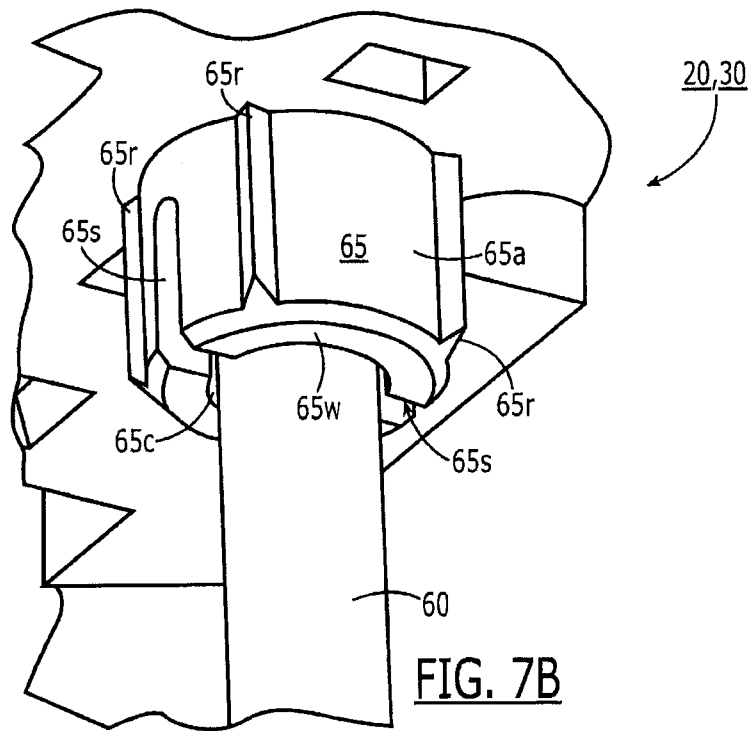
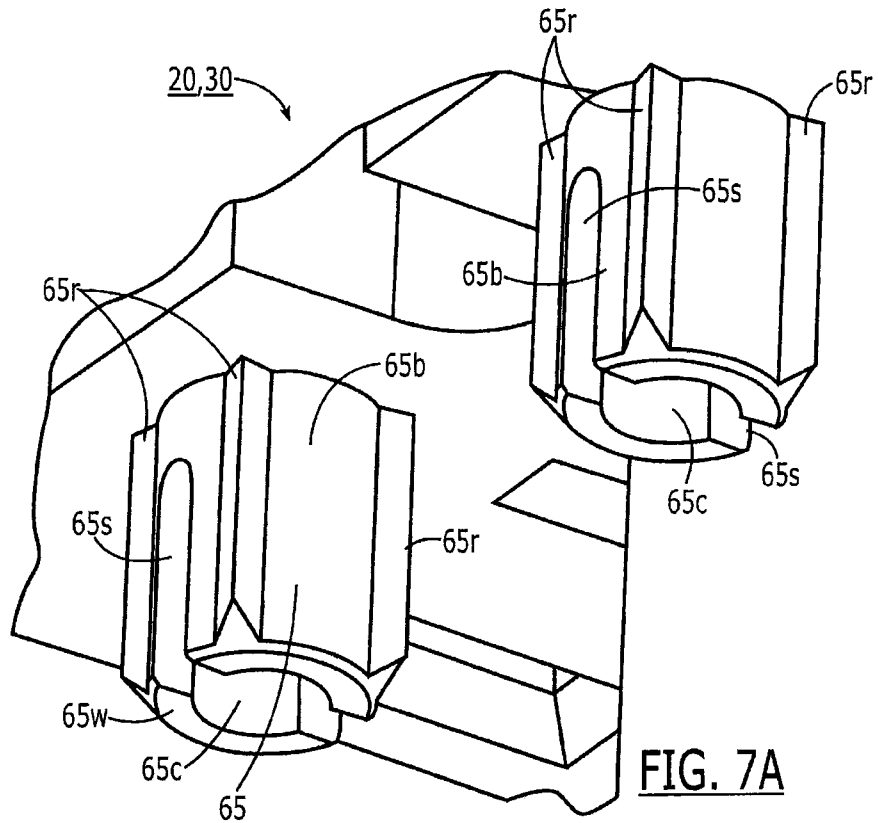




3/6



4/6



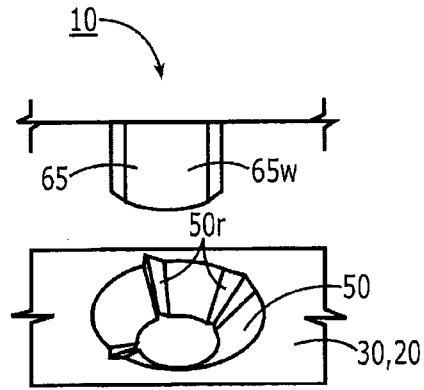


FIG. 8

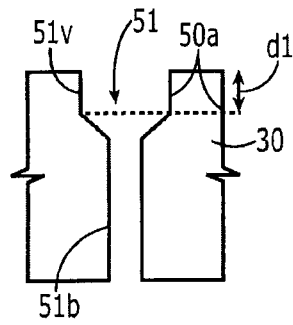


FIG. 9

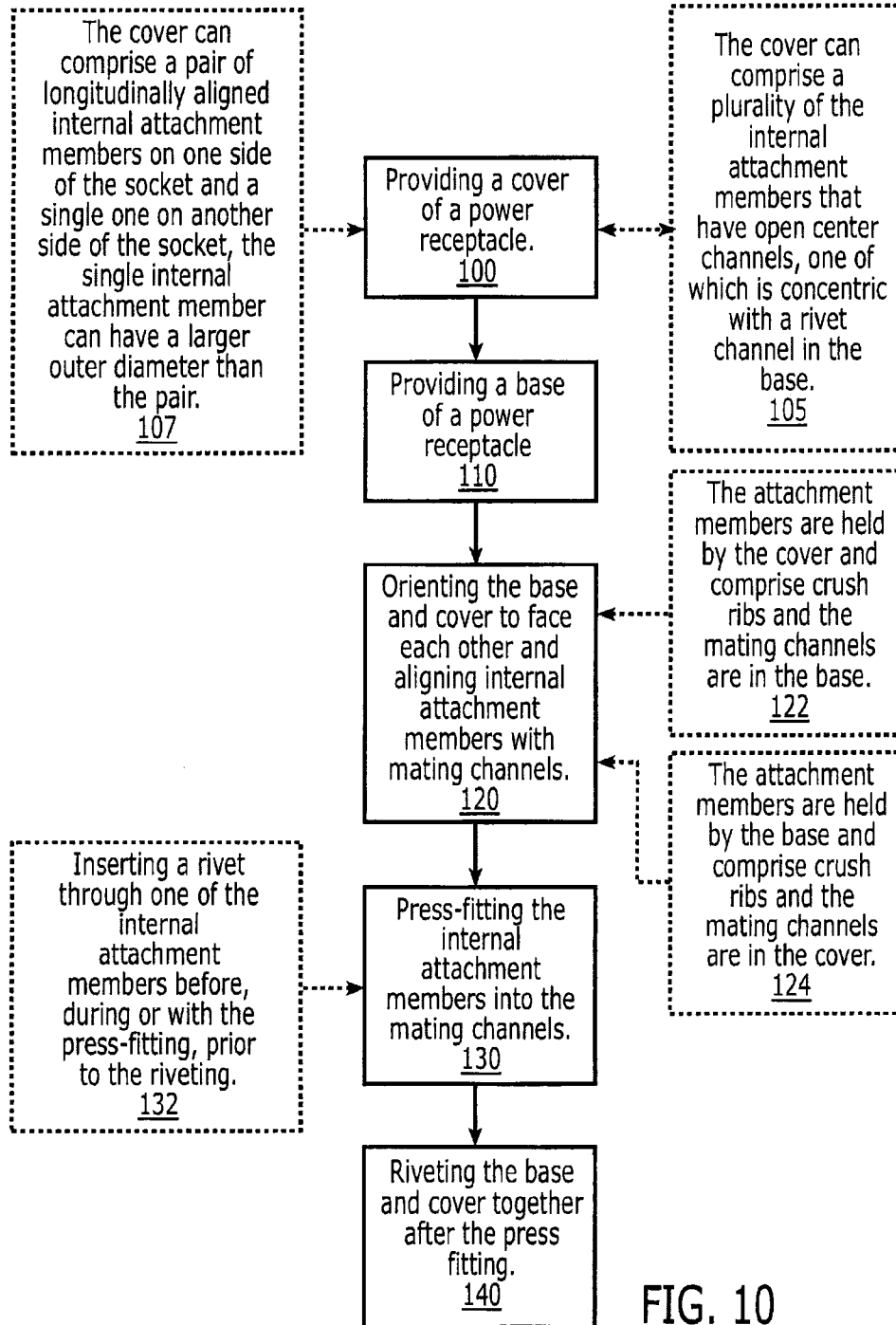


FIG. 10

