



US00D976313S

(12) **United States Design Patent**
Tsiopanos et al.

(10) **Patent No.:** **US D976,313 S**
(45) **Date of Patent:** **** Jan. 24, 2023**

- (54) **RIBBON CARTRIDGE**
- (71) Applicant: **ZEBRA TECHNOLOGIES CORPORATION**, Lincolnshire, IL (US)
- (72) Inventors: **Konstantinos Tsiopanos**, Selden, NY (US); **JaeHo Choi**, Whitestone, NY (US)
- (73) Assignee: **Zebra Technologies Corporation**, Lincolnshire, IL (US)

- 5,246,299 A 9/1993 Kitsuki et al.
- D361,592 S 8/1995 Niwano
- D383,743 S 9/1997 Suwa et al.
- 5,794,102 A 8/1998 Coffey et al.
- 5,810,490 A 9/1998 Kondo
- D418,860 S 1/2000 Shimoyama et al.

(Continued)

FOREIGN PATENT DOCUMENTS

JP 200584439 A 3/2005

OTHER PUBLICATIONS

Zebra Printer Ribbon Cartridge. (online Image) 1 pg. Uploaded Jun. 2019. [Retrieved Aug. 9, 2021] <https://plasticcardsolutions.co.uk/wp-content/uploads/2019/06/800350-264EM.jpg>.*

(Continued)

Primary Examiner — Marie D. Fast Horse

- (**) Term: **15 Years**
- (21) Appl. No.: **29/752,153**
- (22) Filed: **Sep. 25, 2020**
Related U.S. Application Data
- (63) Continuation of application No. 29/707,910, filed on Oct. 1, 2019, now Pat. No. Des. 899,516, which is a continuation of application No. 29/681,900, filed on Feb. 28, 2019, now Pat. No. Des. 867,446, which is a continuation of application No. 29/606,497, filed on Jun. 5, 2017, now Pat. No. Des. 848,526.
- (51) **LOC (14) CL.** **18-02**
- (52) **U.S. Cl.**
USPC **D18/56; D18/12**
- (58) **Field of Classification Search**
USPC D18/12, 18, 40, 43, 44, 56, 58, 99;
D14/462, 471, 474-477, 481-484, 432,
D14/217; D15/78, 89, 138, 145, 146,
D15/199
CPC ... B41J 32/00; B41J 11/44; B41J 17/28; B41J
17/30; B41J 17/32; B41J 31/00; B41J
33/14; B41J 35/26; B41J 35/28; B41J
35/30; B41J 32/02
See application file for complete search history.

(57) **CLAIM**

We claim the ornamental design for a ribbon cartridge, as shown and described.

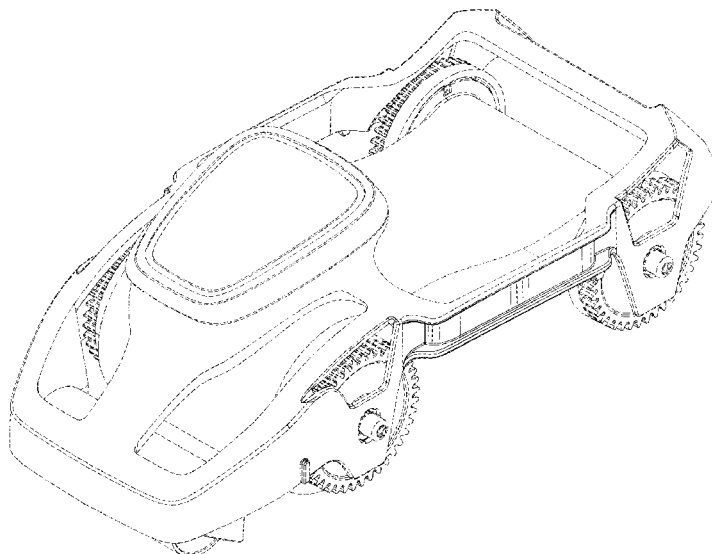
DESCRIPTION

FIG. 1 is a first perspective view of a ribbon cartridge showing our new design;
FIG. 2 is a second perspective view thereof;
FIG. 3 is a first side view thereof;
FIG. 4 is a second side view thereof;
FIG. 5 is a top view thereof;
FIG. 6 is a bottom view thereof;
FIG. 7 is a front view thereof; and,
FIG. 8 is a back view thereof.
Broken lines depict unclaimed portions of the ribbon cartridge that form no part of the claimed design. The broken lines form no part of the claimed design.

1 Claim, 7 Drawing Sheets

(56) **References Cited**
U.S. PATENT DOCUMENTS

- D270,914 S 10/1983 Nader
- D327,495 S 6/1992 Nagai



(56)

References Cited

U.S. PATENT DOCUMENTS

D420,696 S 2/2000 Yung et al.
 D425,545 S 5/2000 Ishida
 D432,561 S 10/2000 Shimamura et al.
 D442,211 S 5/2001 Hayashi et al.
 D446,239 S 8/2001 Funaki
 D453,179 S 1/2002 Neri et al.
 D453,180 S 1/2002 Matsumoto et al.
 D454,151 S 3/2002 Neri et al.
 D458,295 S 6/2002 Neri et al.
 D458,956 S 6/2002 Neri et al.
 D464,670 S 10/2002 Du
 D480,749 S 10/2003 Milton et al.
 D481,414 S * 10/2003 Milton D18/18
 D481,484 S 10/2003 Cuevas et al.
 6,659,664 B1 12/2003 Holland et al.
 D504,907 S 5/2005 Neri
 D505,445 S 5/2005 Neri
 D514,153 S 1/2006 Tu
 D521,052 S 5/2006 Tu
 D523,062 S 6/2006 Tu
 D523,063 S 6/2006 Tu
 D523,891 S 6/2006 Tu
 D527,761 S 9/2006 Neri
 D531,657 S 11/2006 Yamamoto et al.
 D539,842 S 4/2007 Minami et al.
 D541,854 S 5/2007 Motoki
 D544,536 S 6/2007 Motoki et al.
 D544,910 S 6/2007 Wang
 D545,358 S 6/2007 Motoki
 D545,883 S 7/2007 Yamamoto et al.
 D552,171 S 10/2007 Motoki
 D569,901 S 5/2008 Jao
 D586,843 S 2/2009 Hashimoto et al.
 D587,745 S 3/2009 Hashimoto et al.
 D589,552 S 3/2009 Sulser et al.
 D589,553 S 3/2009 Sulser et al.
 D593,595 S 6/2009 Kubota et al.
 D594,503 S 6/2009 Sakano
 D594,898 S 6/2009 Preliasco et al.
 D597,594 S 8/2009 Ito et al.
 D599,843 S 9/2009 Jao et al.
 D614,169 S 4/2010 Jiang et al.
 D654,533 S 2/2012 Carter, II et al.
 D674,839 S 1/2013 Sakano et al.
 D699,301 S 2/2014 Pak
 D737,352 S 8/2015 May et al.
 D757,172 S 5/2016 Tanaka
 D760,827 S 7/2016 May et al.
 D765,774 S 9/2016 Tanaka
 D791,777 S 7/2017 Luo
 10,138,085 B2 11/2018 Ehrhardt

10,189,660 B1 1/2019 Rosales et al.
 D848,526 S * 5/2019 Tsiopanos D18/12
 10,377,591 B2 8/2019 Maynard et al.
 D867,446 S * 11/2019 Tsiopanos D18/12
 10,633,208 B2 4/2020 Marshall et al.
 10,639,914 B2 5/2020 Moreira et al.
 D899,516 S * 10/2020 Tsiopanos D18/56
 2002/0186994 A1 * 12/2002 Ito B41J 17/32
 400/207
 2004/0109715 A1 6/2004 Meier et al.
 2004/0164201 A1 * 8/2004 Lysiak B41J 17/32
 242/599.3
 2005/0024471 A1 2/2005 Okuie et al.
 2005/0129444 A1 * 6/2005 Igi B41J 17/32
 400/207
 2005/0201806 A1 * 9/2005 Yamamoto B41J 17/32
 400/208
 2006/0239743 A1 10/2006 Naito
 2006/0251461 A1 11/2006 Lodwig et al.
 2007/0020011 A1 1/2007 Maruyama et al.
 2007/0025791 A1 2/2007 Lin
 2007/0077107 A1 4/2007 Dochi et al.
 2010/0272488 A1 * 10/2010 Murata B41J 17/32
 400/207
 2011/0217109 A1 9/2011 Cronin et al.
 2015/0062278 A1 3/2015 Suzuki et al.
 2015/0145940 A1 5/2015 Suzuki
 2015/0283834 A1 10/2015 Ohta
 2016/0067991 A1 * 3/2016 Gao B41J 2/32
 347/214
 2016/0176213 A1 6/2016 Tanaka
 2019/0009580 A1 1/2019 Helma et al.
 2019/0010015 A1 1/2019 Rosales et al.
 2021/0268815 A1 * 9/2021 Noh B41J 13/03

OTHER PUBLICATIONS

Zebra P630i/P640i Card Printer User's Manual, Manual, 2006, pp. 8, 26-28, 980541-003 Rev. A, ZIH Corp.
 Zebra 330i/330M Card Printer User's Manual, Manual, 2004/2005, pp. 26 and 27, 980459-001 Rev. C, ZIH Corp.
 Printing and Encoding Solutions, Fargo HDP 8500 Industrial Card Printer/Encoder, Brochure, 2014, p. 3, Fargo.
 Polaroid XPS Card Printer, Installation and User Guide, Jun. 2011, entire document, Part No. 539957-020 Rev. A.
 Evolis Tattoo 2: User's Guide, Sep. 2007, entire document, Evolis Card Printer.
 Evolis Primacy User Guide, Manual, Sep. 2016, entire document, Ref# KU-PRM1-C37-ENC Rev. C, Evolis.
 NBS Technologies Card Center, Javelin DNA User Guide Manual, Manual, 2015, entire document.

* cited by examiner

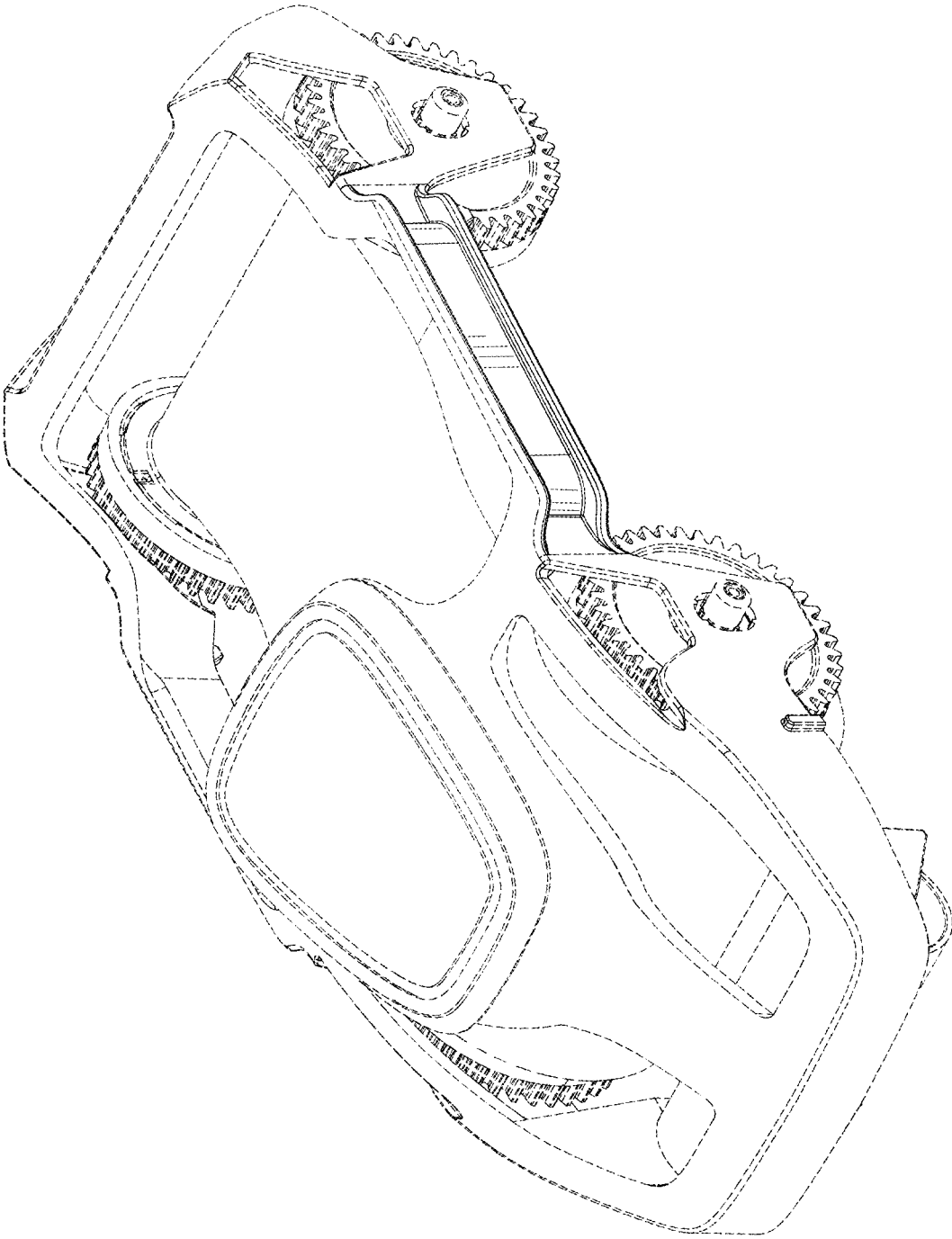


FIG. 1

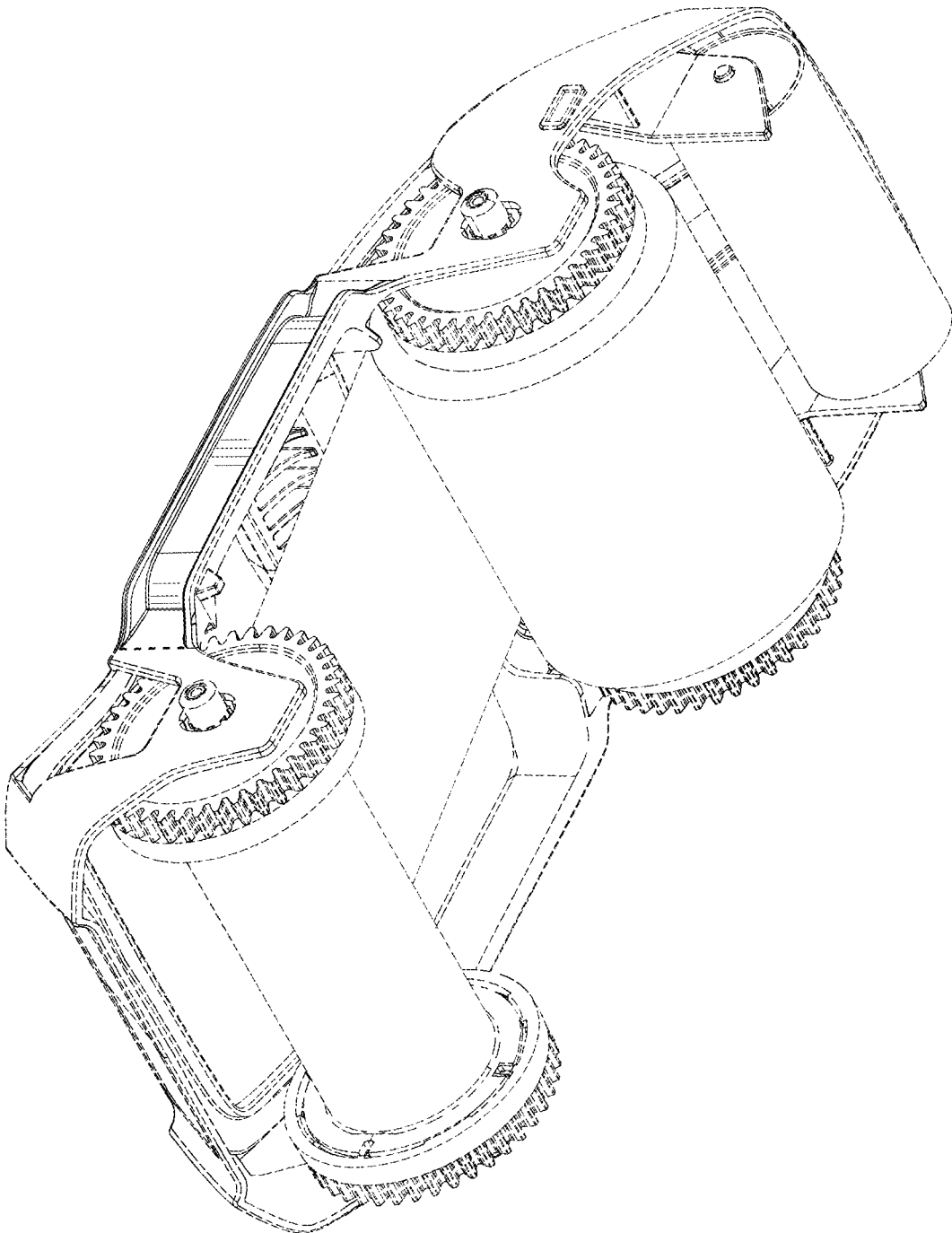


FIG. 2

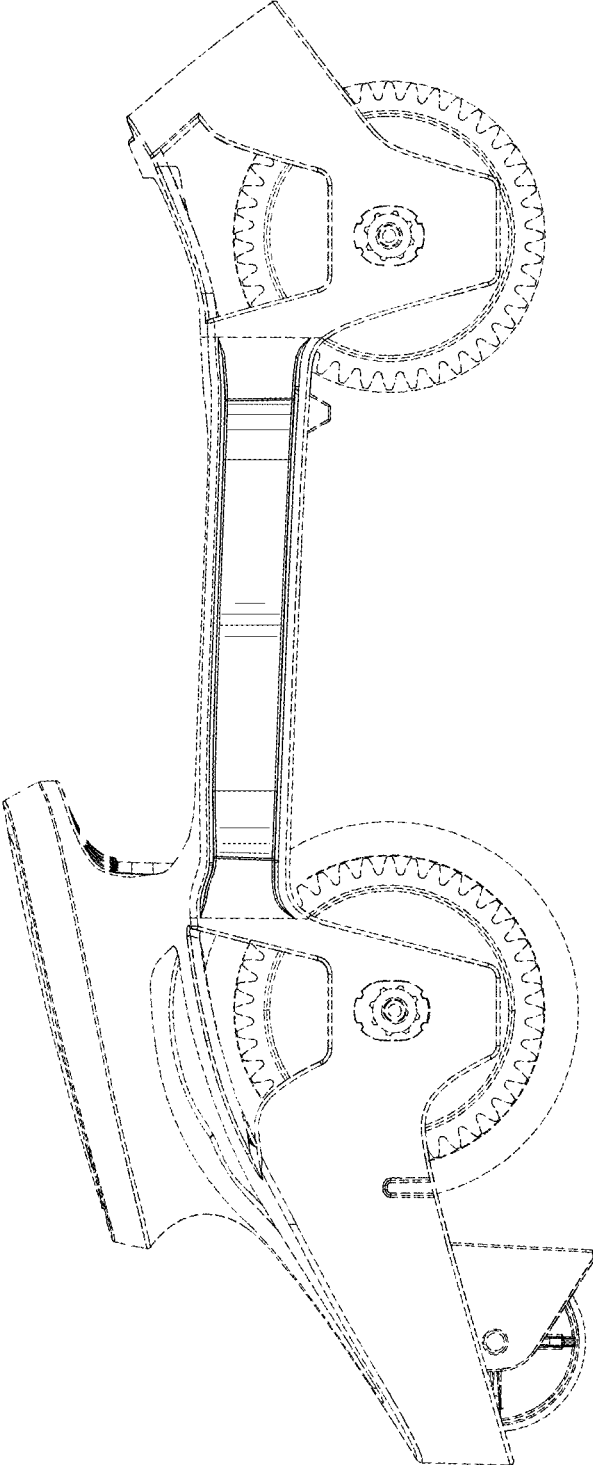


FIG. 3

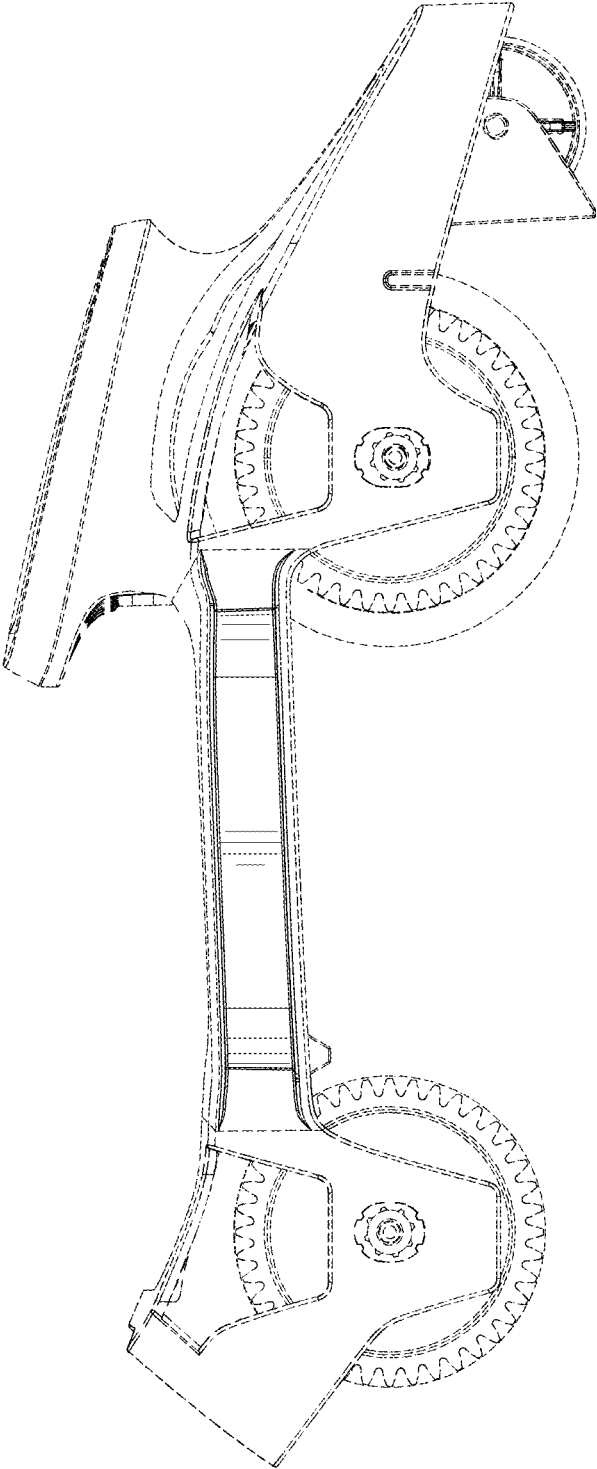


FIG. 4

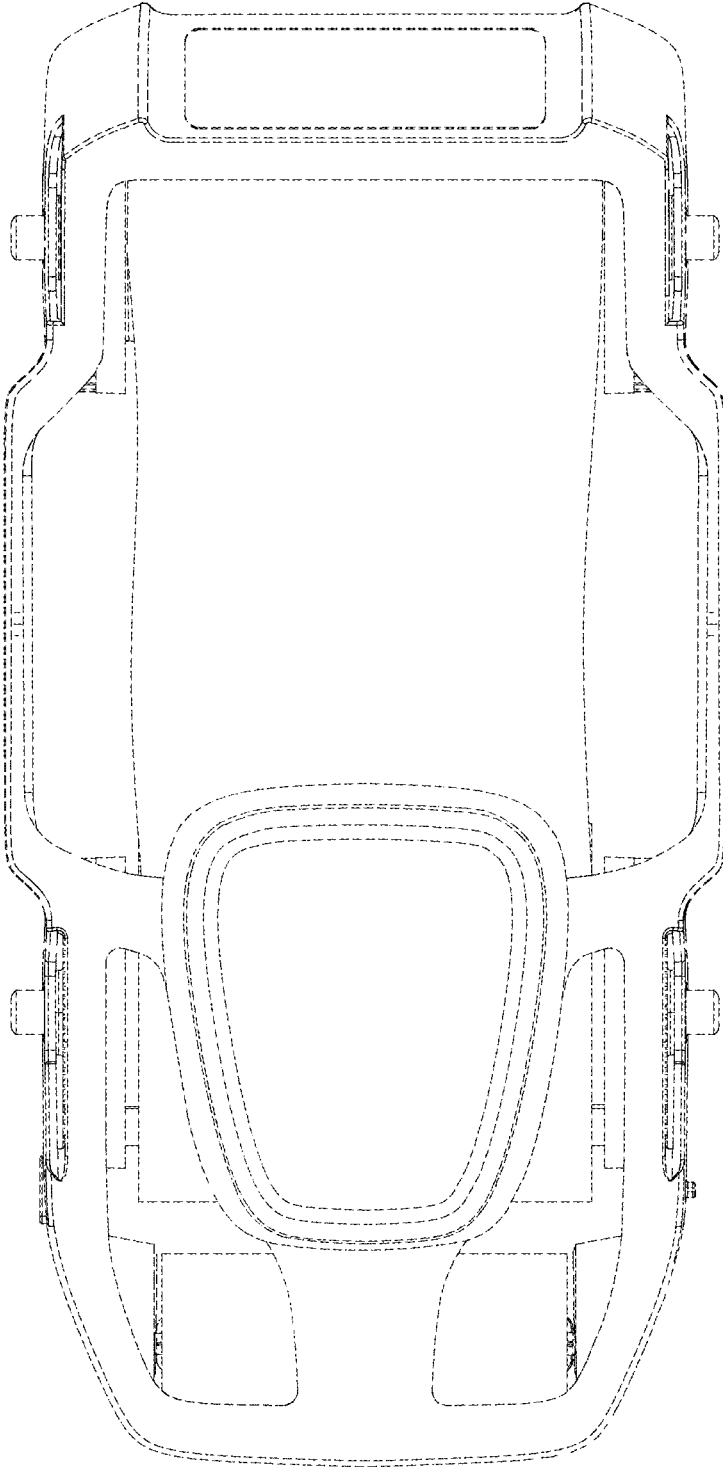


FIG. 5

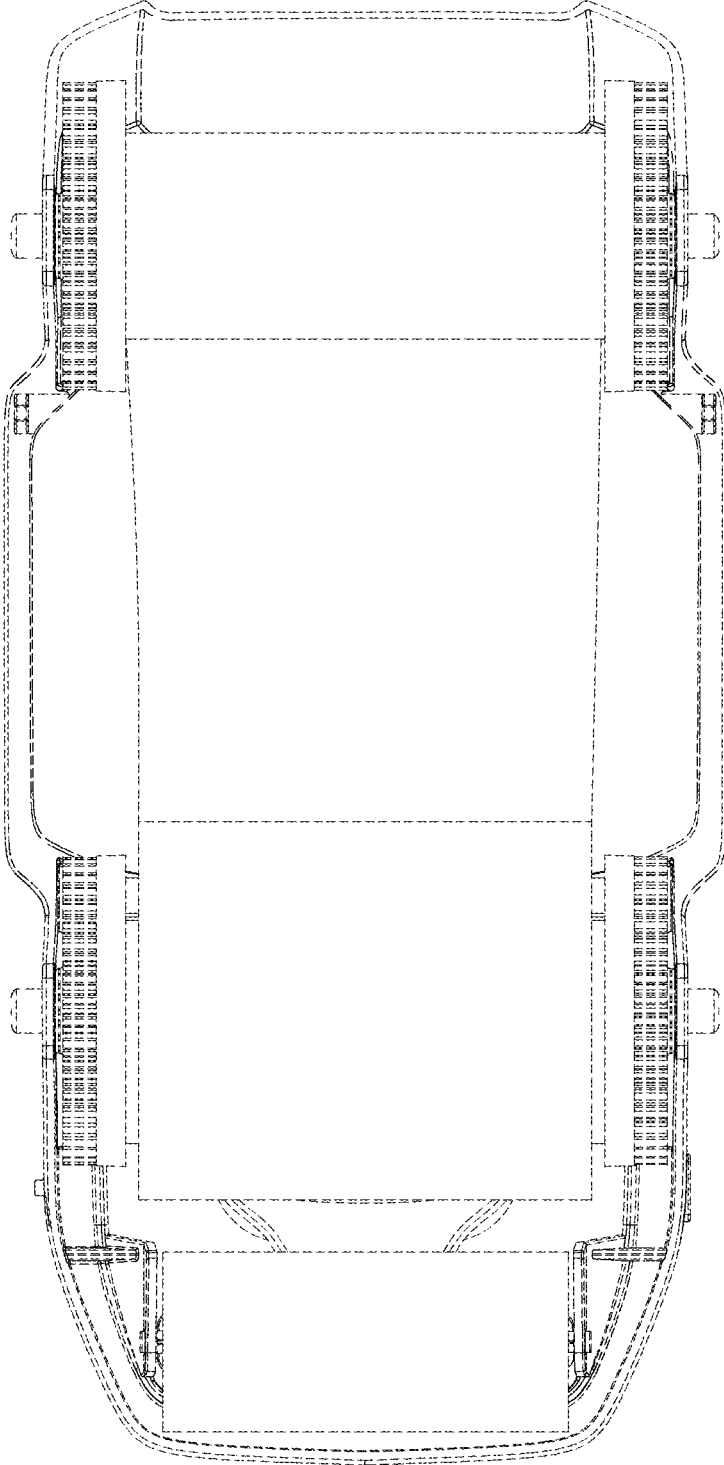


FIG. 6

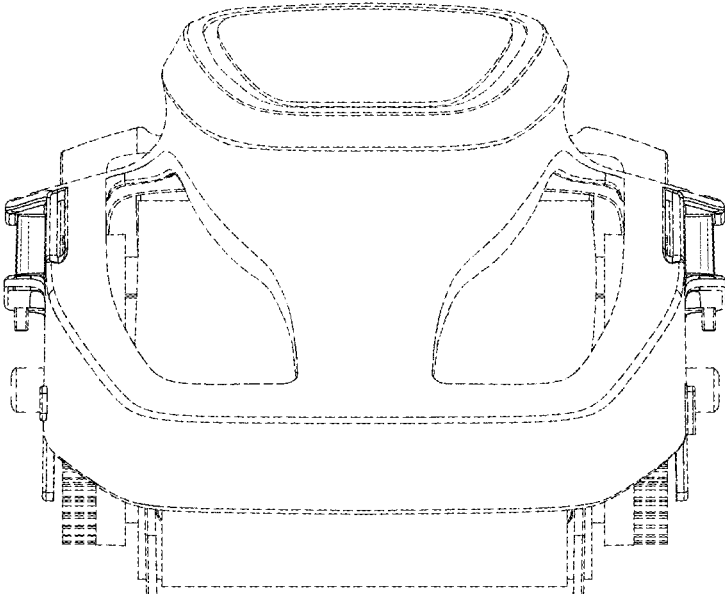


FIG. 7

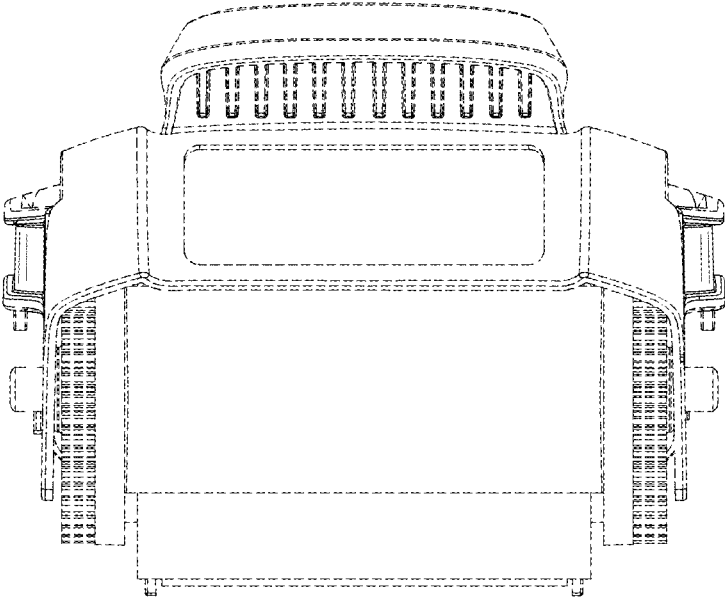


FIG. 8