

CORRECTED VERSION

(19) World Intellectual Property Organization
International Bureau



(43) International Publication Date
30 April 2009 (30.04.2009)

PCT

(10) International Publication Number
WO 2009/053100 A8

(51) International Patent Classification:
A61C 13/00 (2006.01) G03F 7/00 (2006.01)
B29C 67/00 (2006.01)

(21) International Application Number:
PCT/EP2008/009041

(22) International Filing Date:
24 October 2008 (24.10.2008)

(25) Filing Language: English

(26) Publication Language: English

(30) Priority Data:
61/000,603 26 October 2007 (26.10.2007) US
EP07021480.4 5 November 2007 (05.11.2007) EP

(71) Applicant (for all designated States except US): ENVI-
SIONTEC GMBH [DE/DE]; Brüsseler Strasse 51,
45968 Gladbeck (DE).

(72) Inventor; and

(75) Inventor/Applicant (for US only): EL-SIBLANI, Ali
[US/US]; 214 Beech Daly Street, Dearborn Heights, MI
48127 (US).

(74) Agents: OSER, Andreas et al.; Prüfer & Partner GBR,
Patentanwälte, Sohnckestrasse 12, 81479 München (DE).

(81) Designated States (unless otherwise indicated, for every
kind of national protection available): AE, AG, AL, AM,
AO, AT, AU, AZ, BA, BB, BG, BH, BR, BW, BY, BZ,
CA, CH, CN, CO, CR, CU, CZ, DE, DK, DM, DO, DZ,

EC, EE, EG, ES, FI, GB, GD, GE, GH, GM, GT, HN,
HR, HU, ID, IL, IN, IS, JP, KE, KG, KM, KN, KP, KR,
KZ, LA, LC, LK, LR, LS, LT, LU, LY, MA, MD, ME,
MG, MK, MN, MW, MX, MY, MZ, NA, NG, NI, NO,
NZ, OM, PG, PH, PL, PT, RO, RS, RU, SC, SD, SE, SG,
SK, SL, SM, ST, SV, SY, TJ, TM, TN, TR, TT, TZ, UA,
UG, US, UZ, VC, VN, ZA, ZM, ZW.

(84) Designated States (unless otherwise indicated, for every
kind of regional protection available): ARIPO (BW, GH,
GM, KE, LS, MW, MZ, NA, SD, SL, SZ, TZ, UG, ZM,
ZW), Eurasian (AM, AZ, BY, KG, KZ, MD, RU, TJ,
TM), European (AT, BE, BG, CH, CY, CZ, DE, DK, EE,
ES, FI, FR, GB, GR, HR, HU, IE, IS, IT, LT, LU, LV,
MC, MT, NL, NO, PL, PT, RO, SE, SI, SK, TR), OAPI
(BF, BJ, CF, CG, CI, CM, GA, GN, GQ, GW, ML, MR,
NE, SN, TD, TG).

Declarations under Rule 4.17:

— of inventorship (Rule 4.17(iv))

Published:

— with international search report (Art. 21(3))

(48) Date of publication of this corrected version:

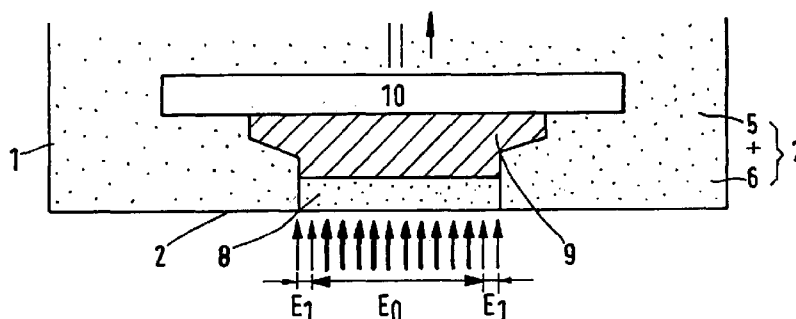
27 May 2010

(15) Information about Correction:

see Notice of 27 May 2010

(54) Title: PROCESS AND FREEFORM FABRICATION SYSTEM FOR PRODUCING A THREE-DIMENSIONAL OBJECT

FIG.1



(57) Abstract: The present invention describes a process for producing a three-dimensional object, comprising: providing a mate-
rial to be solidified, the material comprising a filler and a binder; delivering electromagnetic radiation and/or synergistic stimula-
tion in a pattern or an image to a building region for solidifying said material; wherein said delivering of electromagnetic radiation
and/or synergistic stimulation is performed selectively to a defined area or volume of said material to be solidified; and wherein an
energy density of electromagnetic radiation and/or synergistic stimulation is varied within said pattern or image and/or between
patterns or images of different building regions of said material. The present invention may be directed also to a system where dif-
ferent first and second materials are to be solidified. The present invention further provides a freeform fabrication system, and a
freeform three-dimensional object having unique properties as well as products derived therefrom, such as sintered products.

WO 2009/053100 A8