



US0D1056873S

(12) **United States Design Patent**
Francisco

(10) **Patent No.:** **US D1,056,873 S**

(45) **Date of Patent:** **** Jan. 7, 2025**

(54) **WIRELESS SPEAKER WITH GPS DISPLAY**

(71) Applicant: **Blue Tees Enterprises, LLC**, Walnut Creek, CA (US)

(72) Inventor: **Brandon Francisco**, Walnut Creek, CA (US)

(73) Assignee: **BLUE TEES ENTERPRICES LLC**, Walnut Creek, CA (US)

(**) Term: **15 Years**

(21) Appl. No.: **29/888,010**

(22) Filed: **Mar. 27, 2023**

(51) **LOC (15) Cl.** **14-01**

(52) **U.S. Cl.**

USPC **D14/204**

(58) **Field of Classification Search**

USPC D14/125, 155, 160, 168, 170–172, 188,
D14/204, 209.1, 210, 213–216, 219, 222,
D14/240, 300, 356, 358, 363, 509

CPC H04R 9/06; H04R 5/02; H04R 29/001;
H04R 29/002; H04R 1/02; H04R 1/026;
H04R 1/345; H04R 1/2834; H04R
1/2888; H04R 1/288; H04R 1/2819;
H04R 2400/07; H04R 2400/11; H04R
3/12

See application file for complete search history.

(56) **References Cited**

U.S. PATENT DOCUMENTS

D798,268 S *	9/2017	Fang	D14/216
D803,813 S *	11/2017	Rouffiat	D14/215
D811,368 S *	2/2018	Fischer	D14/216
D845,925 S *	4/2019	Bellinghausen	D14/204
D884,676 S *	5/2020	He	D14/216
D886,080 S *	6/2020	Yang	D14/216
D900,769 S *	11/2020	Yi	D14/126
D936,032 S *	11/2021	Xiong	D14/204
D958,772 S *	7/2022	Zhang	D14/204

D965,558 S *	10/2022	He	D14/216
D967,059 S *	10/2022	Luo	D14/214
D988,286 S *	6/2023	Xiong	D14/216
D1,001,101 S *	10/2023	Li	D14/216

(Continued)

Primary Examiner — Khawaja Anwar

Assistant Examiner — Megan Tiana Rakos

(74) *Attorney, Agent, or Firm* — Venable LLP; Keith G. Haddaway; Dennis Lazarev

(57) **CLAIM**

The ornamental design for a wireless speaker with GPS display as shown and described.

DESCRIPTION

FIG. 1 is a top front perspective view of a wireless speaker with GPS display according to the present invention;

FIG. 2 is a bottom front perspective view of the wireless speaker with GPS display according to the present invention;

FIG. 3 is a front view of the wireless speaker with GPS display according to the present invention;

FIG. 4 is a back view of the wireless speaker with GPS display according to the present invention;

FIG. 5 is a left side view of the wireless speaker with GPS display according to the present invention;

FIG. 6 is a right side view of the wireless speaker with GPS display according to the present invention;

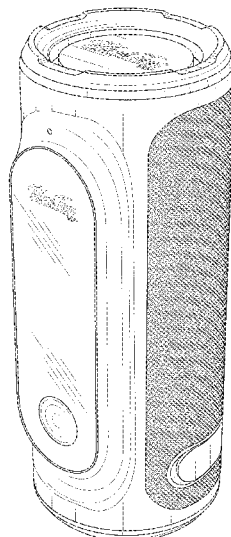
FIG. 7 is a top side view of the wireless speaker with GPS display according to the present invention;

FIG. 8 is a bottom side view of the wireless speaker with GPS display according to the present invention; and,

FIG. 9 is a detailed front top perspective view of the wireless speaker with GPS display according to the present invention.

The broken line showing of the wireless speaker with GPS display is for the purpose of illustrating portions of the wireless speaker with GPS display which form no part of the claimed design.

1 Claim, 8 Drawing Sheets



(56)

References Cited

U.S. PATENT DOCUMENTS

D1,002,573	S	*	10/2023	Du	D14/204
D1,012,883	S	*	1/2024	Ma	D14/204
D1,019,605	S	*	3/2024	Nie	D14/214
D1,022,959	S	*	4/2024	Xiong	D14/216

* cited by examiner

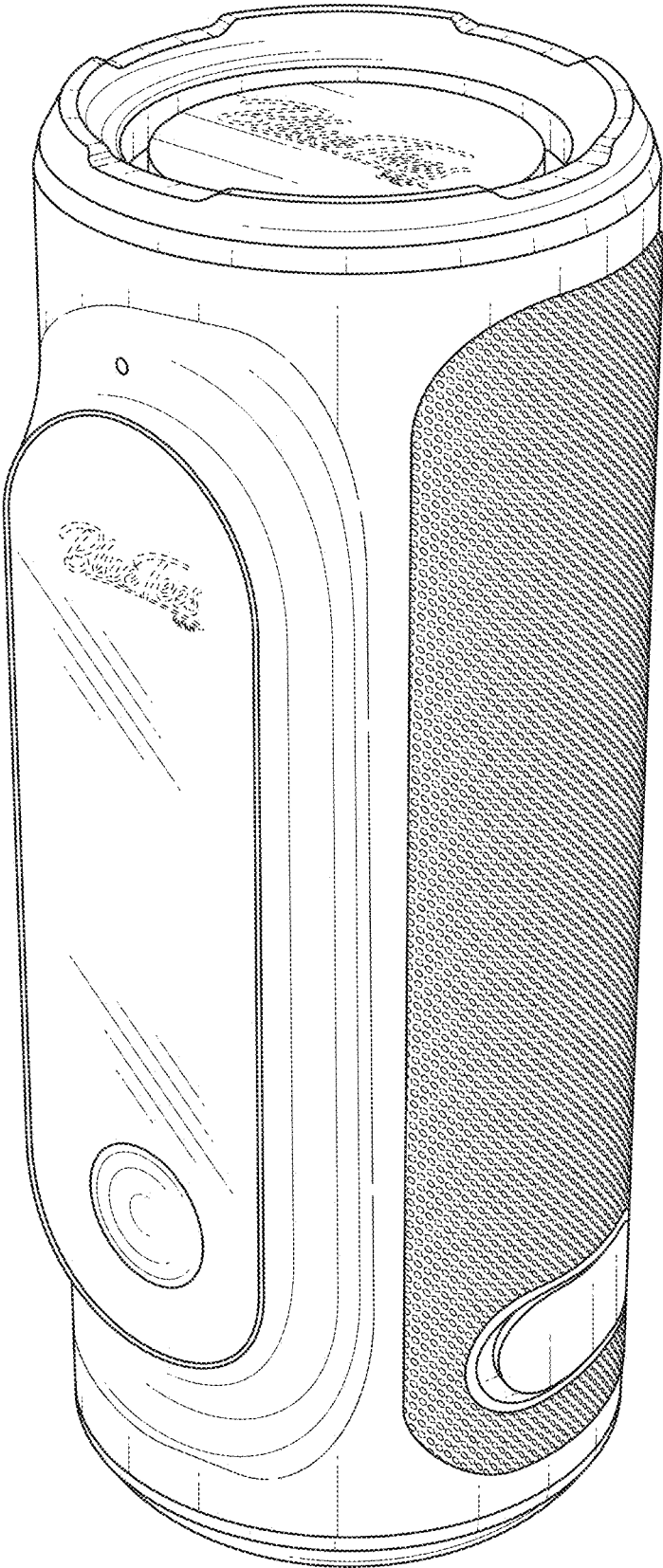


FIG. 1



FIG. 2

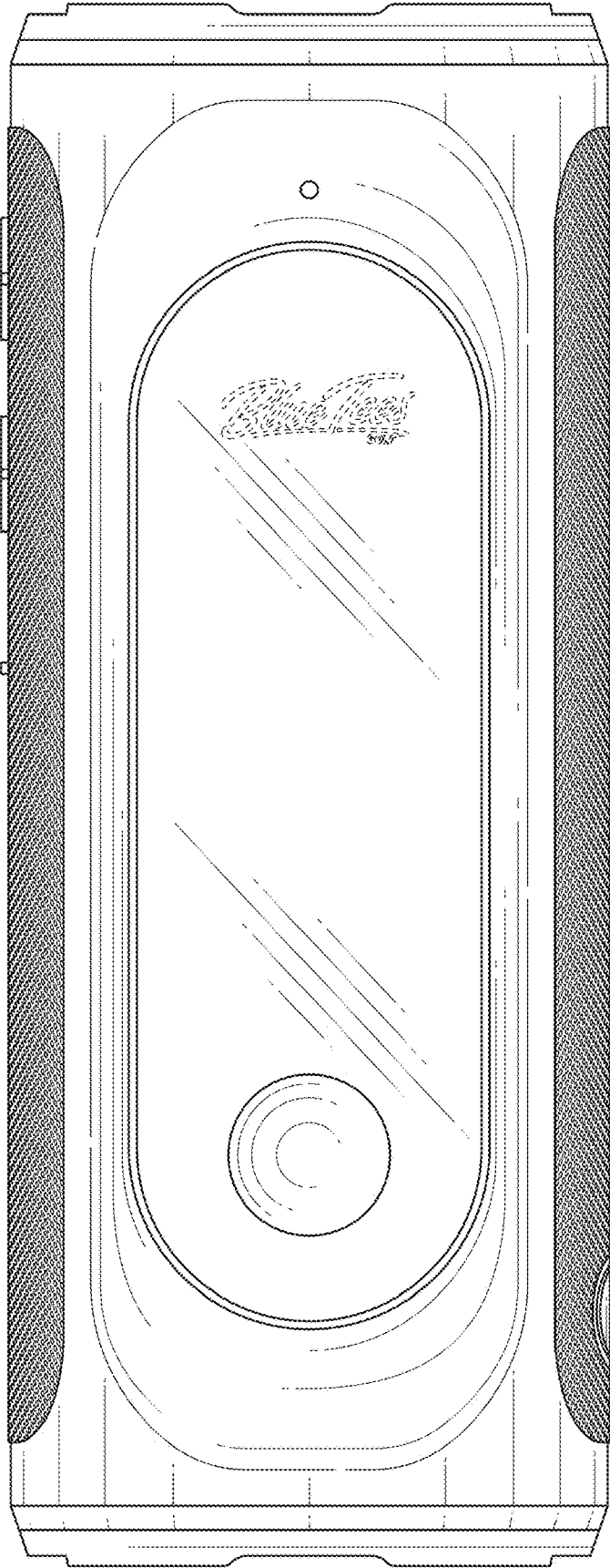


FIG. 3

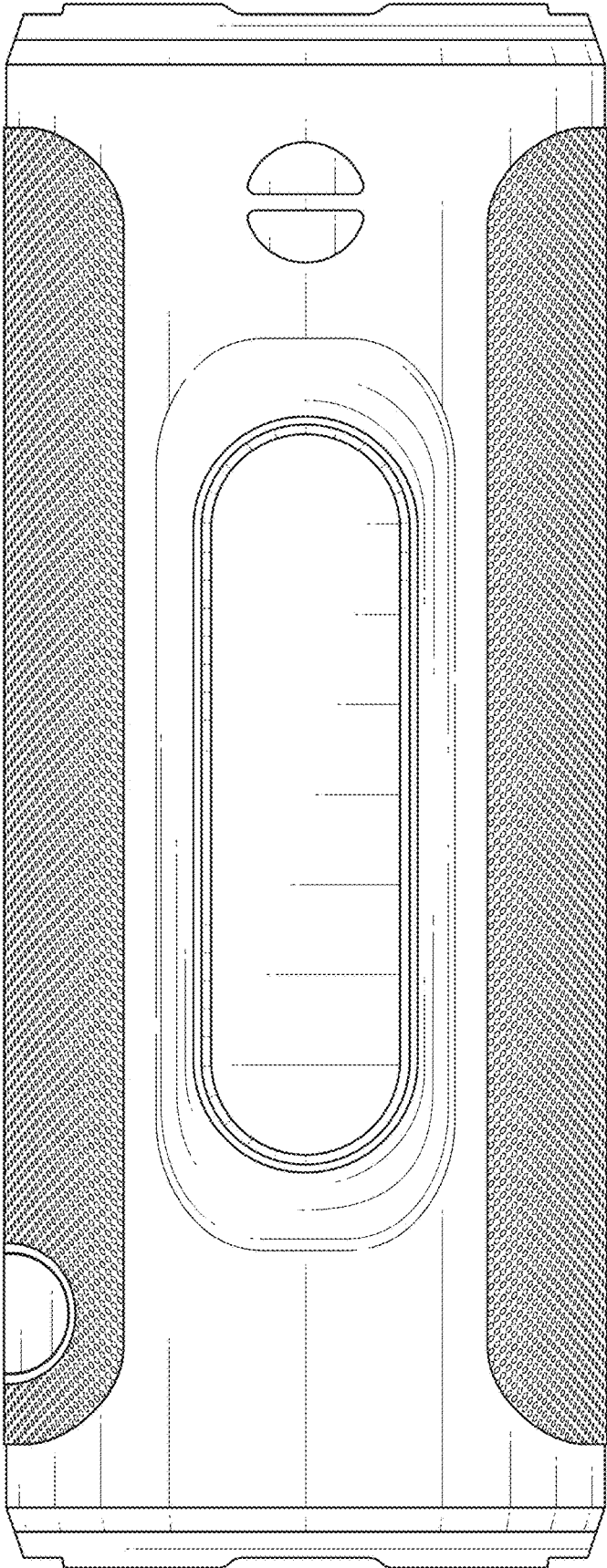


FIG. 4

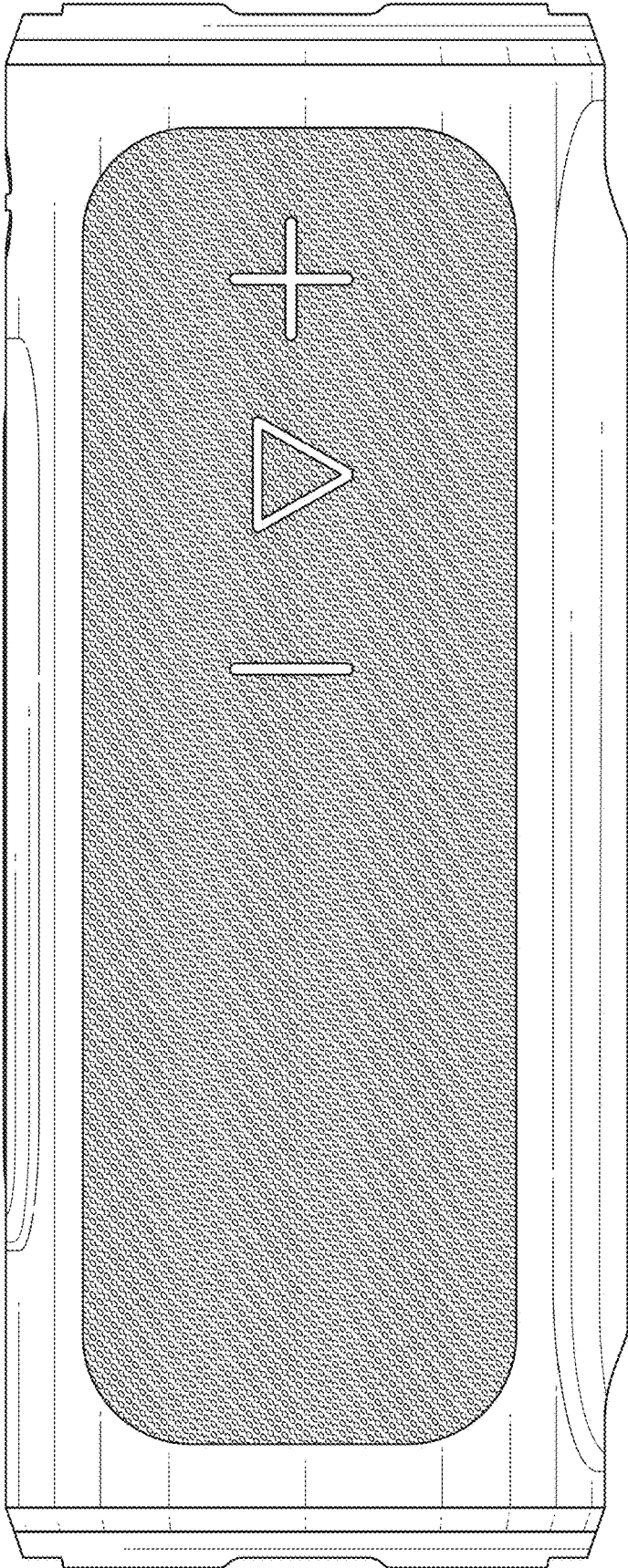


FIG. 5

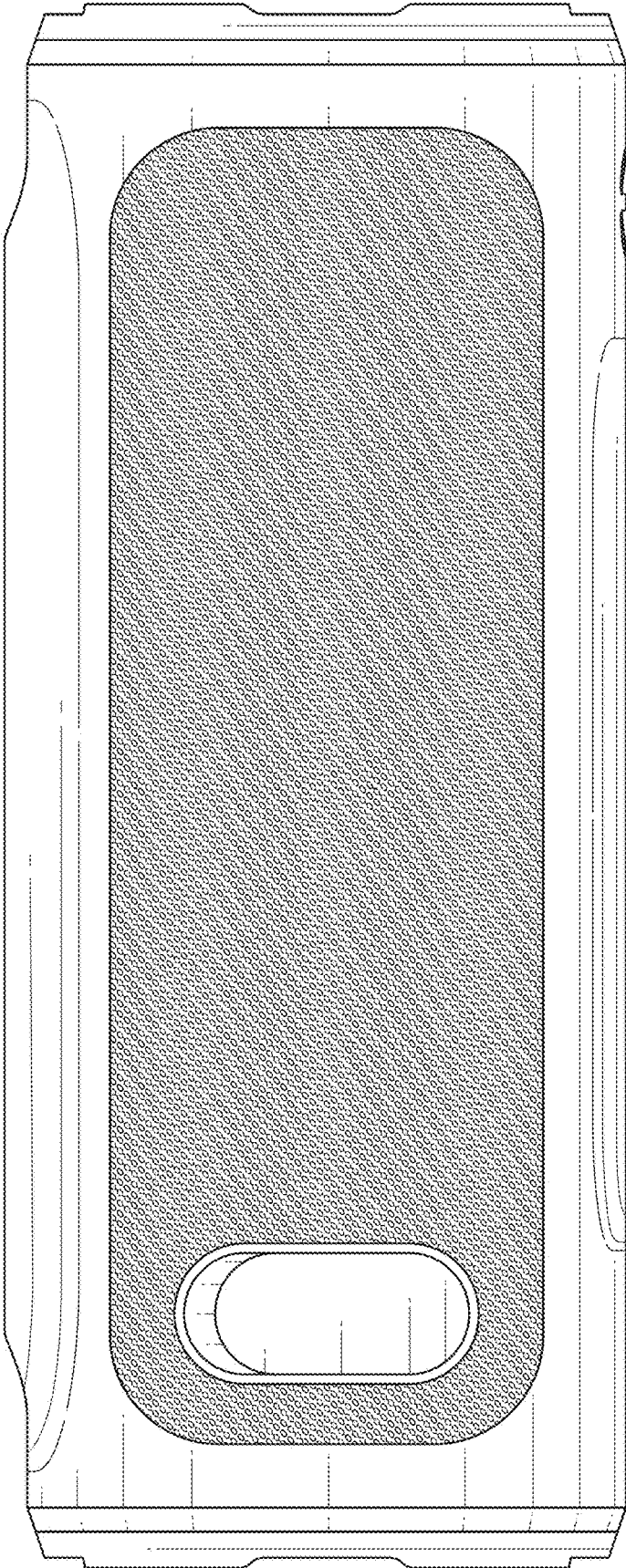


FIG. 6

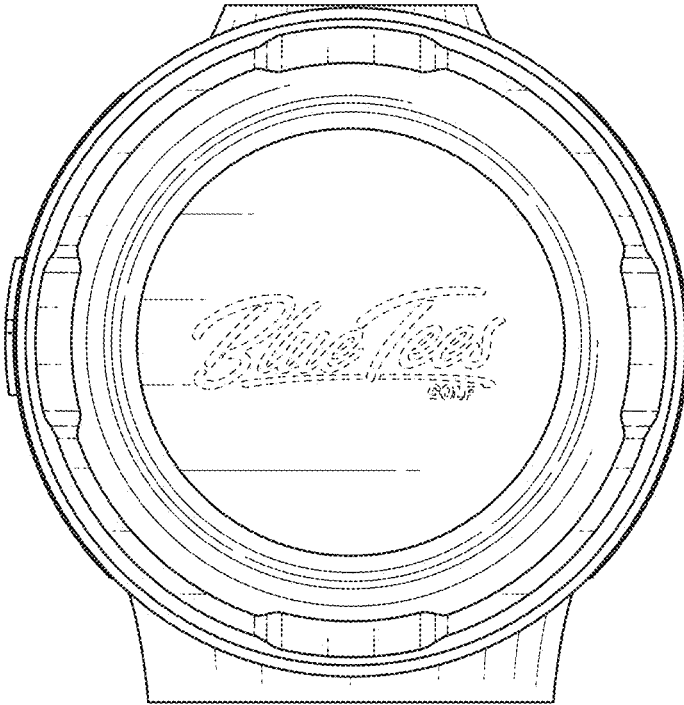


FIG. 7

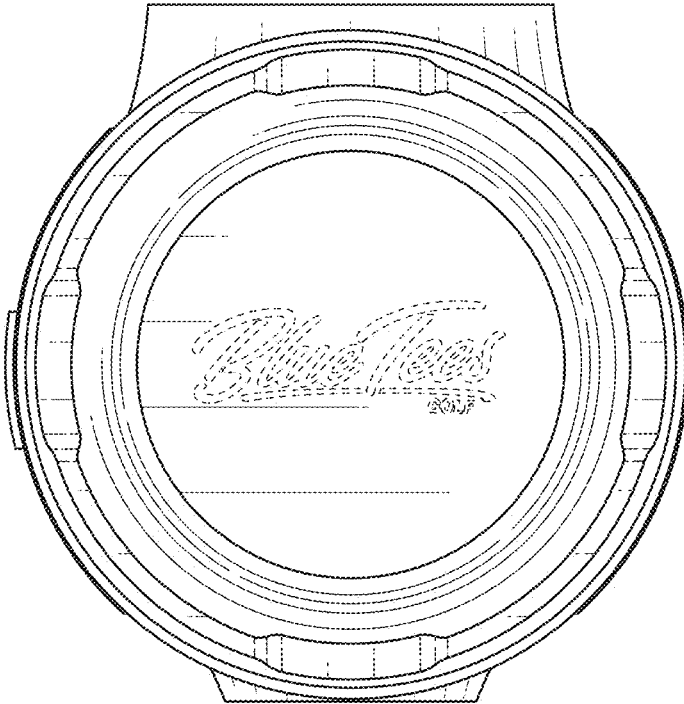


FIG. 8

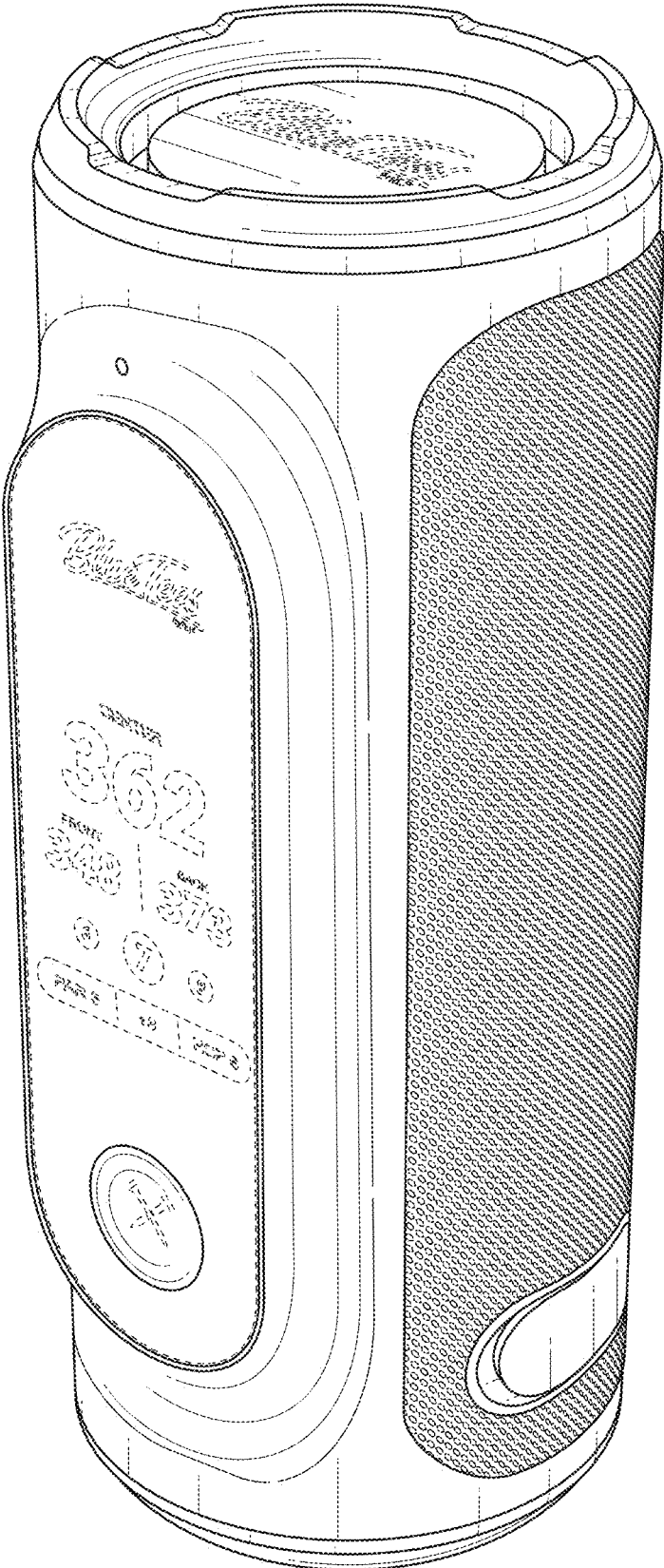


FIG. 9