



US00D907331S

(12) **United States Design Patent**
Miller

(10) **Patent No.:** **US D907,331 S**

(45) **Date of Patent:** **** Jan. 12, 2021**

(54) **PANTS WITH SIDE ZIPPER ACCESS**

Assistant Examiner — Katrina N Gonzalez

(71) Applicant: **Dorothea A. Miller**, Lauderhill, FL
(US)

(74) *Attorney, Agent, or Firm* — Terry M. Sanks, Esq.;
Beusse Sanks, PLLC

(72) Inventor: **Dorothea A. Miller**, Lauderhill, FL
(US)

(57) **CLAIM**

The ornamental design for a pants with side zipper access,
as shown and described.

(**) Term: **15 Years**

DESCRIPTION

(21) Appl. No.: **29/656,796**

(22) Filed: **Jul. 16, 2018**

FIG. 1 is a perspective view of a first embodiment of the
pants with side zipper access.

FIG. 2 is a front view thereof.

FIG. 3 is a back view thereof.

FIG. 4 is a left side view thereof.

FIG. 5 is a right side view thereof.

FIG. 6 is a front view of the design of FIG. 1 with two upper
placed zippers unzipped and two lower placed zippers
unzipped to show the interior of the pant legs.

FIG. 7 is a front view thereof showing the two upper placed
zippers unzipped down from the waist along the outer seam;
one waist zipper is unzipped further down.

FIG. 8 is a back view of the design of FIG. 1 with the two
upper placed zippers unzipped.

FIG. 9 is a left side view thereof.

FIG. 10 is a right side view thereof.

FIG. 11 is a cross-sectional view taken along and in the
direction of line 11-11 of FIG. 2.

FIG. 12 is a cross-sectional view taken along and in the
direction of line 12-12 of FIG. 2.

FIG. 13 is a perspective view of a second embodiment of the
pants with side zipper access.

FIG. 14 is a front view thereof.

FIG. 15 is a back view thereof.

FIG. 16 is a left side view thereof.

FIG. 17 is a right side view thereof.

FIG. 18 is a front view of the design of FIG. 13 with two
upper placed zippers unzipped and two lower placed zippers
unzipped to show the interior of the pant legs.

FIG. 19 is a front view thereof showing the two upper placed
zippers unzipped down from the waist along the outer seam;
one waist zipper is unzipped further down.

FIG. 20 is a back view of the design of FIG. 13 with the two
upper placed zippers unzipped.

Related U.S. Application Data

(63) Continuation-in-part of application No. 29/550,662,
filed on Jan. 6, 2016, now Pat. No. Des. 822,948.

(51) **LOC (13) Cl.** **02-02**

(52) **U.S. Cl.**
USPC **D2/742**

(58) **Field of Classification Search**
USPC D2/700–705, 712, 716, 728, 742; 2/79,
2/227, 228, 234–239

(Continued)

References Cited

U.S. PATENT DOCUMENTS

2,663,876 A * 12/1953 Miller A41D 1/06
2/227

3,246,342 A 4/1966 Pagano
(Continued)

OTHER PUBLICATIONS

“Quality Mens Side Zip Pants” available Feb. 23, 2018, [online],
[site visited Jul. 9, 2020]. Retrieved from Internet, URL:https://
www.silverts.com/show.php/product/41300-mens-easy-zipper-pants-
great-for-arthritis-catheters-paralysis-2-way-zippers-easy-access-
clothing/r-gps (Year: 2018).*

(Continued)

Primary Examiner — Michael C Stout

(Continued)

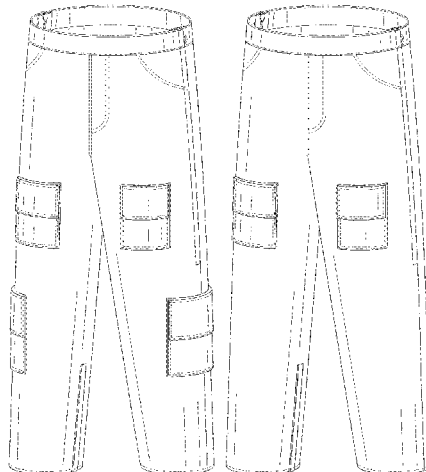


FIG. 21 is a left side view thereof.
 FIG. 22 is a right side view thereof.
 FIG. 23 is a cross-sectional view taken along and in the direction of line 11-11 of FIG. 14; and,
 FIG. 24 is a cross-sectional view taken along and in the direction of line 12-12 of FIG. 14.
 The broken lines shown represent claimed subject matter as the broken lines represent stitching.

1 Claim, 18 Drawing Sheets

(58) **Field of Classification Search**

CPC A41D 1/06; A41D 13/129; A41D 13/1254;
 A41D 2300/32
 See application file for complete search history.

(56) **References Cited**

U.S. PATENT DOCUMENTS

4,914,756 A 4/1990 Grassick
 D344,620 S 3/1994 Lavell
 D373,892 S 9/1996 Landwehr
 D393,141 S 4/1998 Glycenfer
 5,818,845 A 10/1998 Moura et al.

D536,157 S 2/2007 Kimmel
 D572,434 S * 7/2008 Yeates D2/742
 D580,629 S 11/2008 Adams et al.
 D610,329 S * 2/2010 Prechel D2/742
 D622,935 S * 9/2010 Jackson D2/742
 D640,041 S * 6/2011 Flora D2/742
 8,091,146 B1 * 1/2012 Anhalt A41D 1/08
 2/227
 D655,481 S 3/2012 Seguin et al.
 D655,482 S 3/2012 Morales
 D664,737 S * 8/2012 Slank D2/742
 D665,559 S 8/2012 Ridge
 D721,469 S * 1/2015 Dye D2/742
 D766,545 S * 9/2016 Grosbol D2/742
 D766,546 S * 9/2016 Grosbol D2/742
 D822,948 S * 7/2018 Miller D2/742
 D839,542 S * 2/2019 Strange D2/742
 D876,752 S * 3/2020 Francis D2/742
 10,687,570 B2 * 6/2020 Strange A41F 9/007
 2005/0251896 A1 * 11/2005 Donlan A41D 1/06
 2/269

OTHER PUBLICATIONS

Adaptations by Adrian, www.adaptationsbyadrian.com, Aug. 24, 2002.

* cited by examiner

FIG. 1

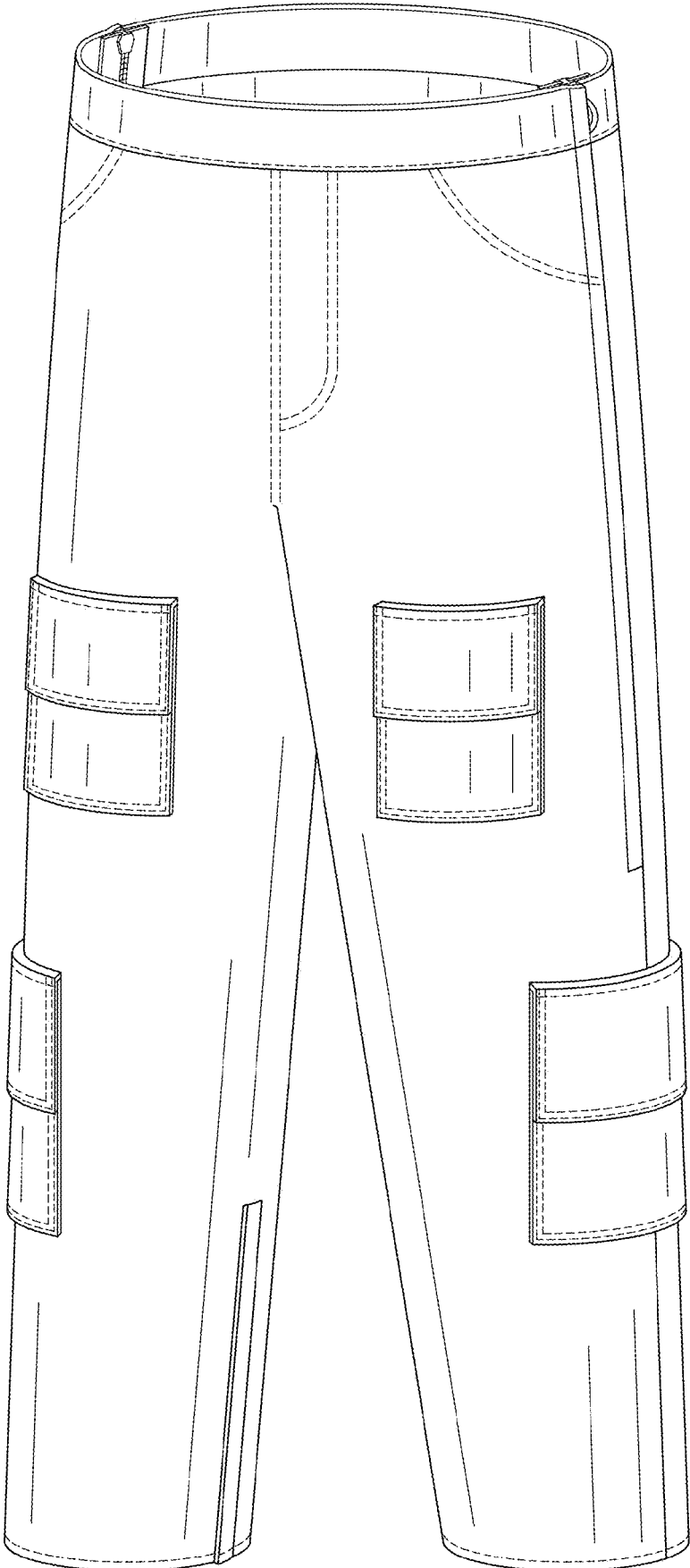
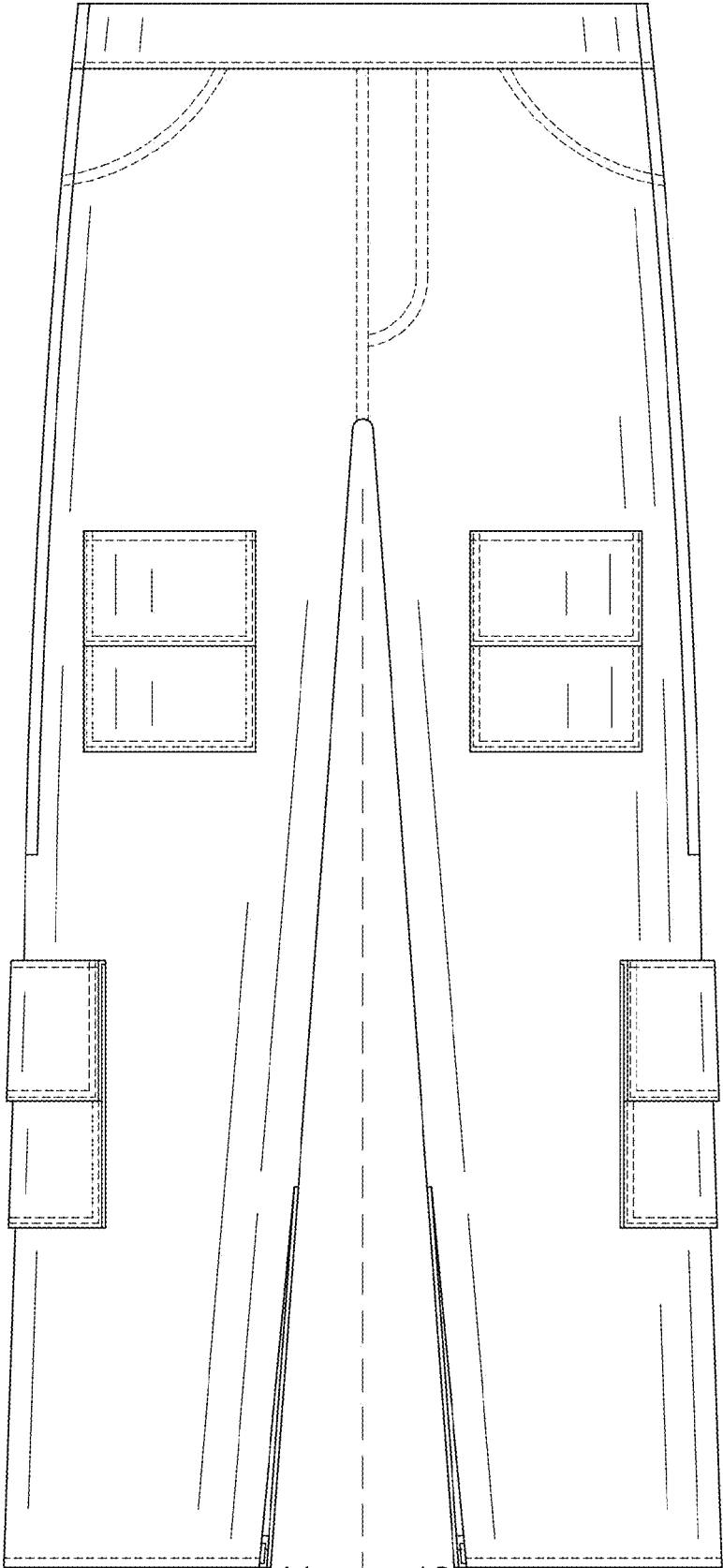


FIG. 2

11 < T > 12



11 < T > 12

FIG. 3

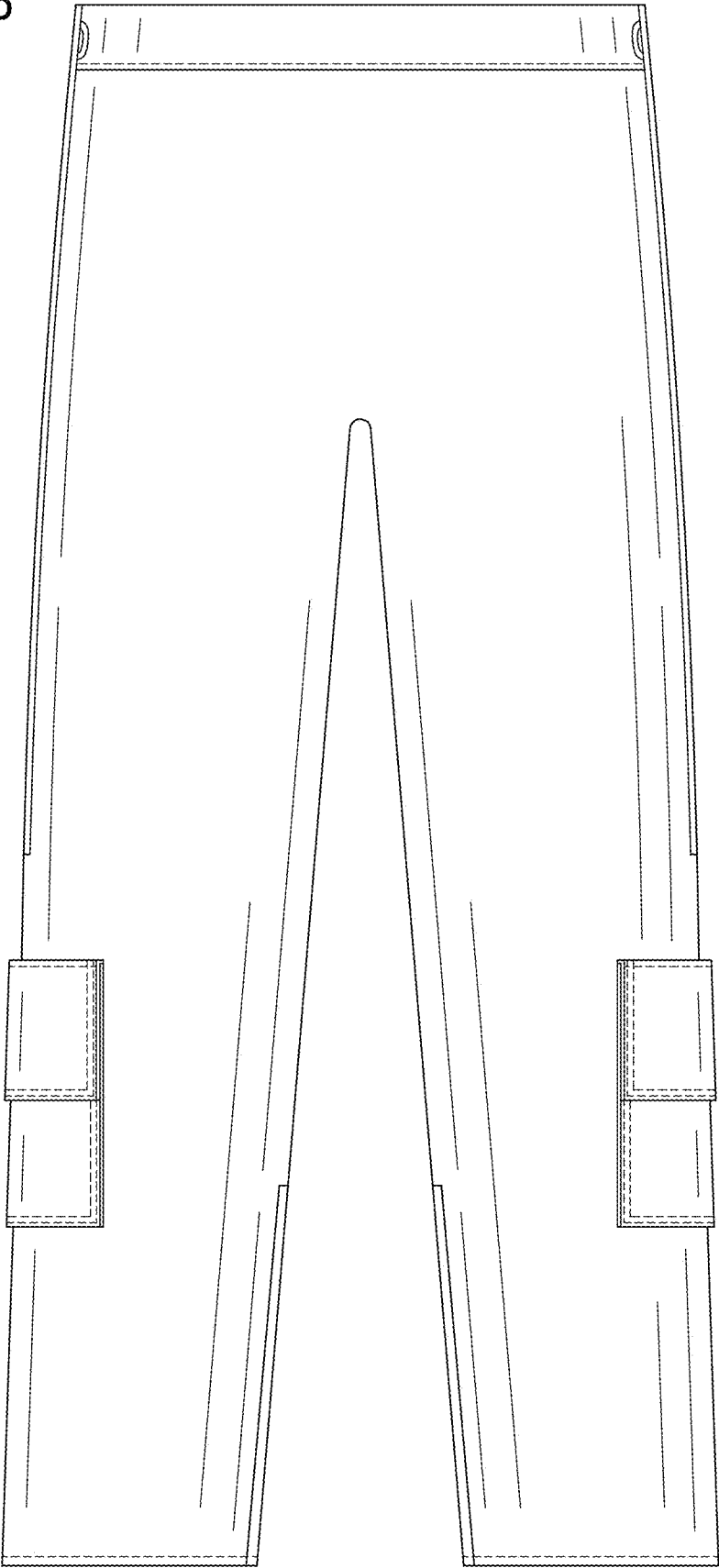


FIG. 4

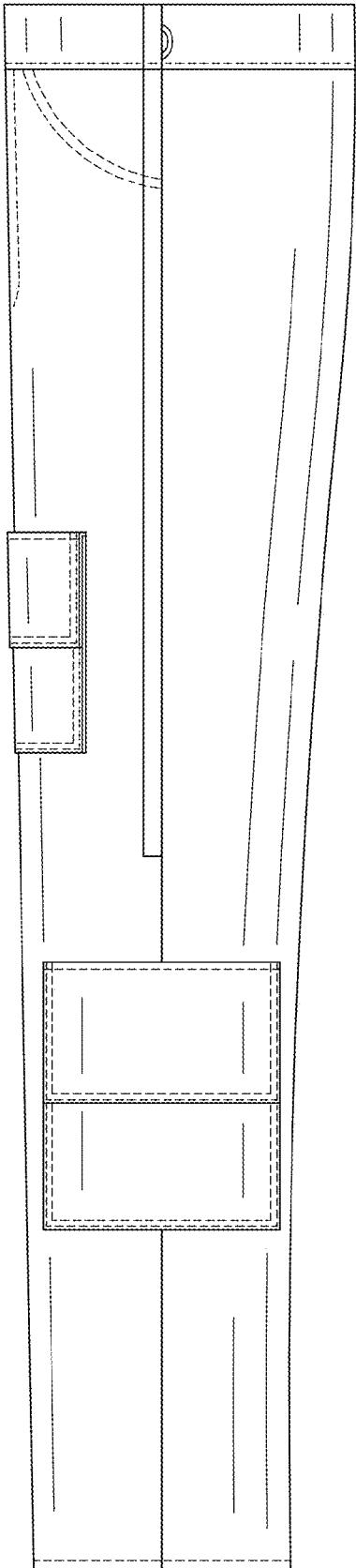


FIG. 5

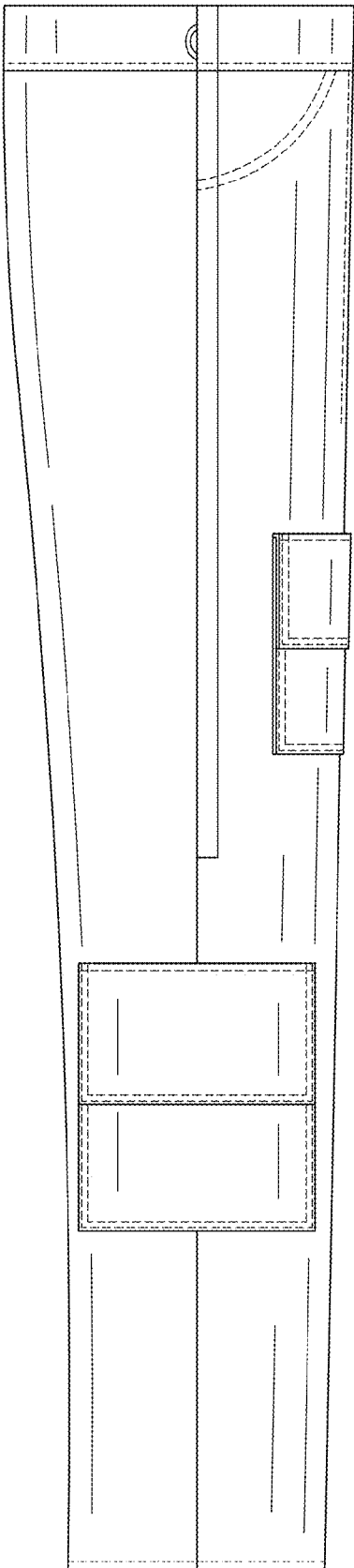


FIG. 6

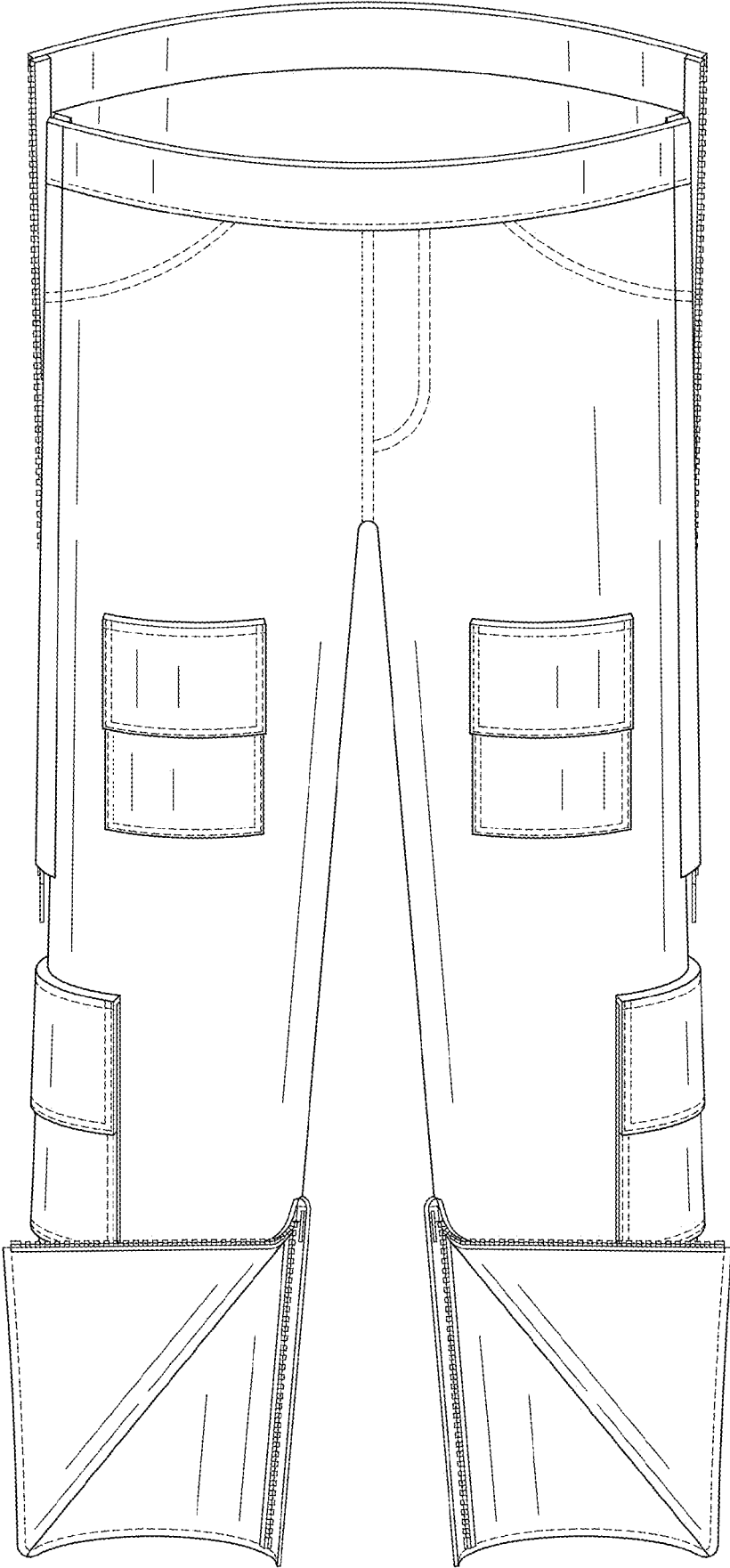


FIG. 7

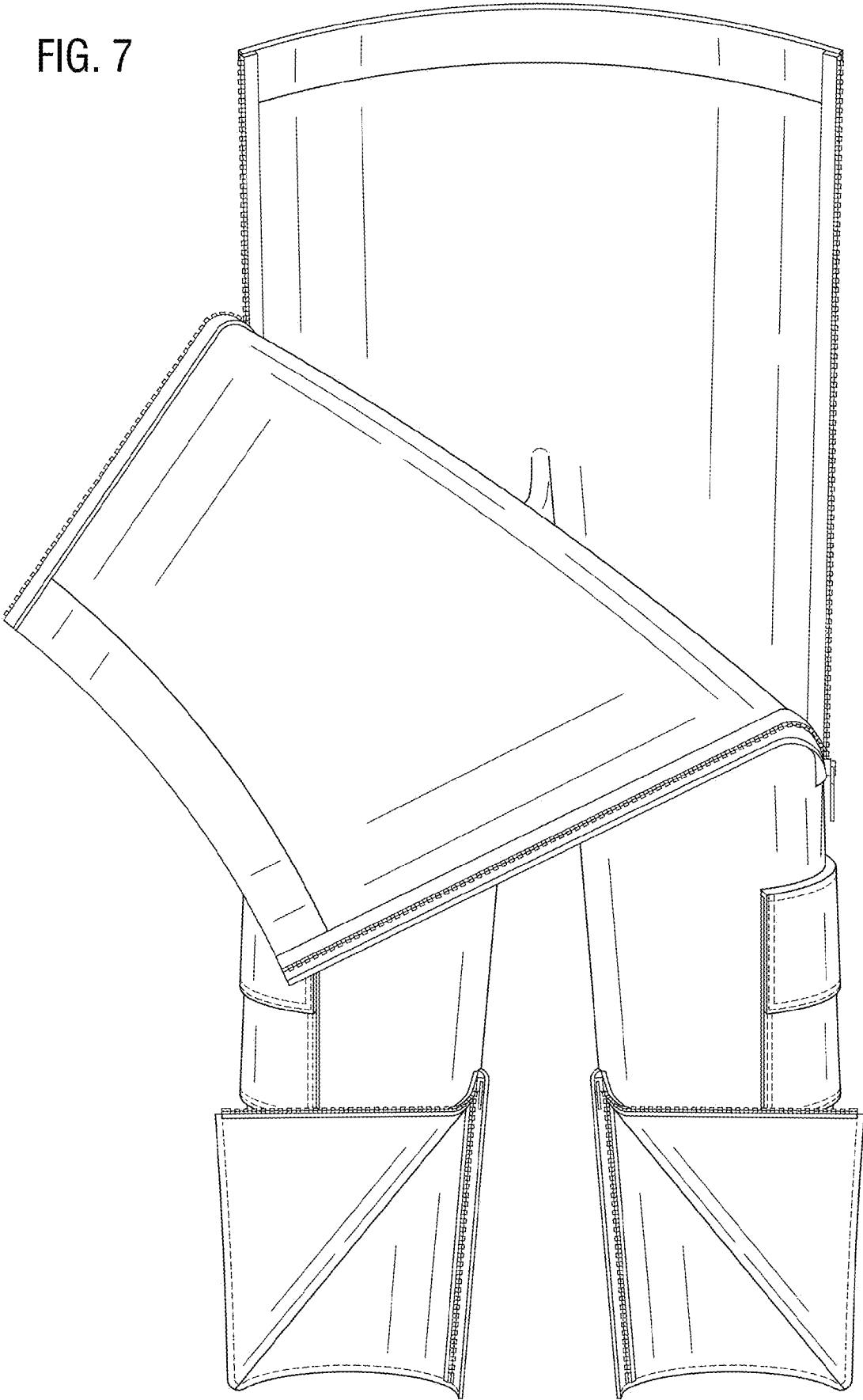


FIG. 8

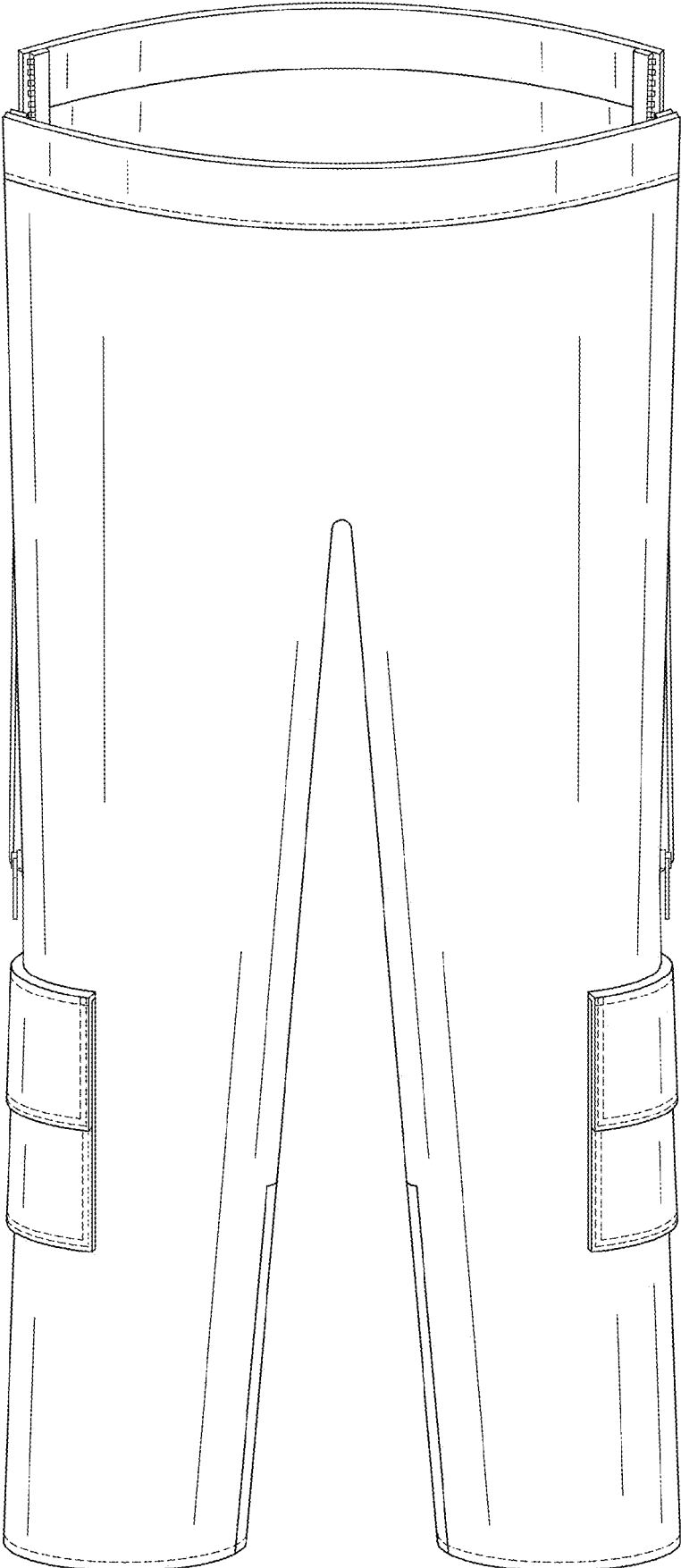


FIG. 9

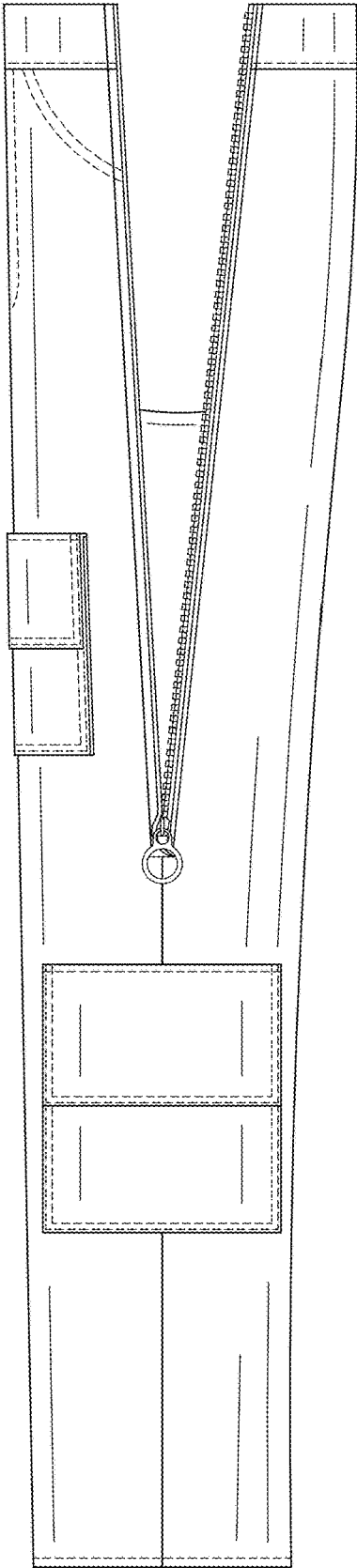


FIG. 10

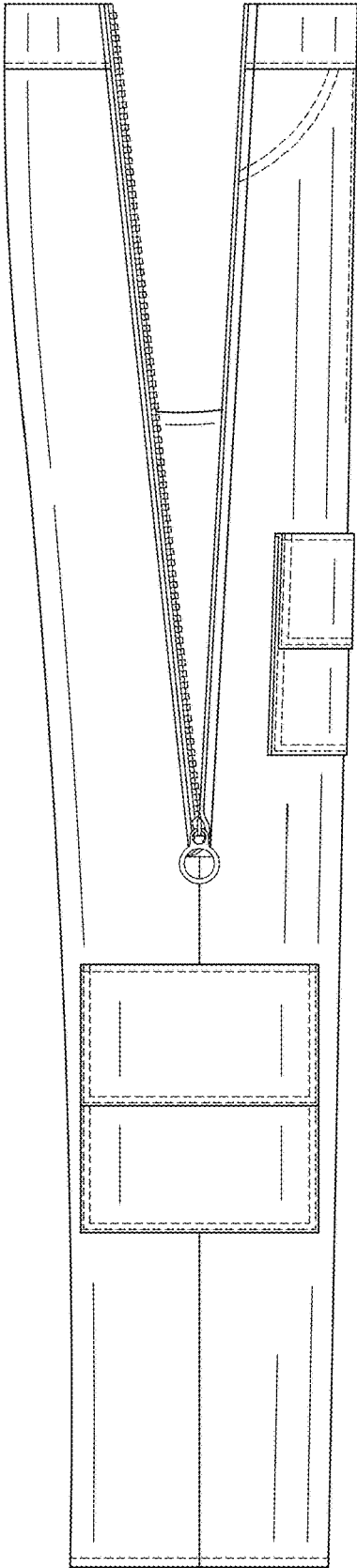


FIG. 11

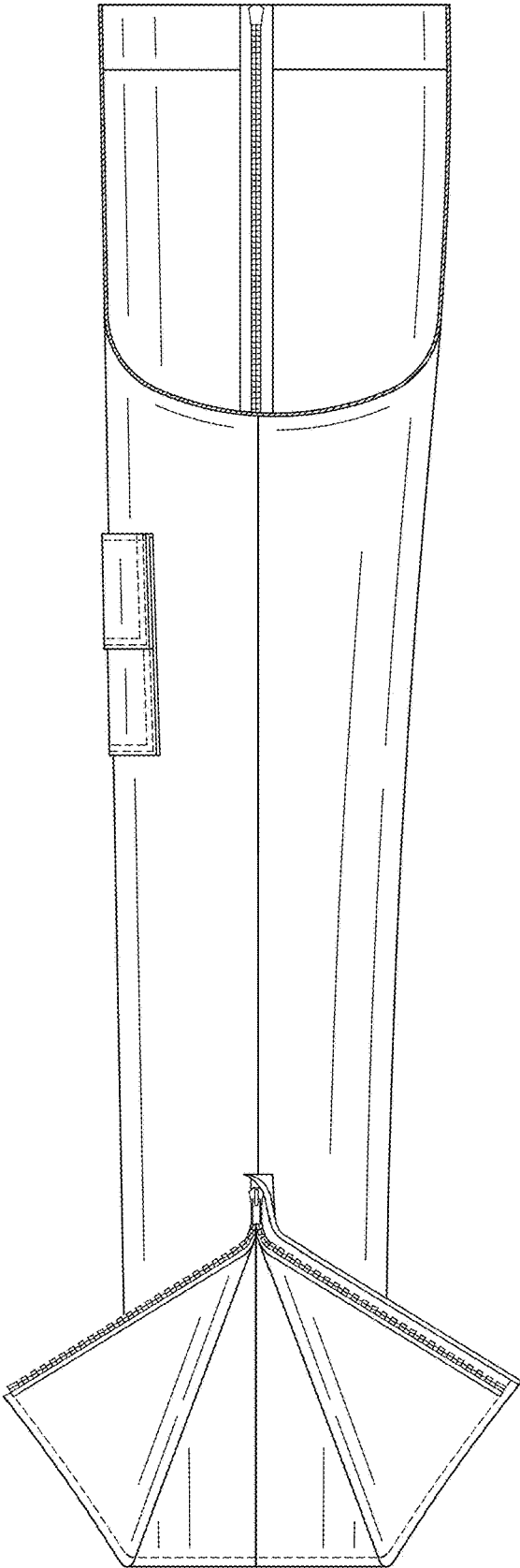


FIG. 12

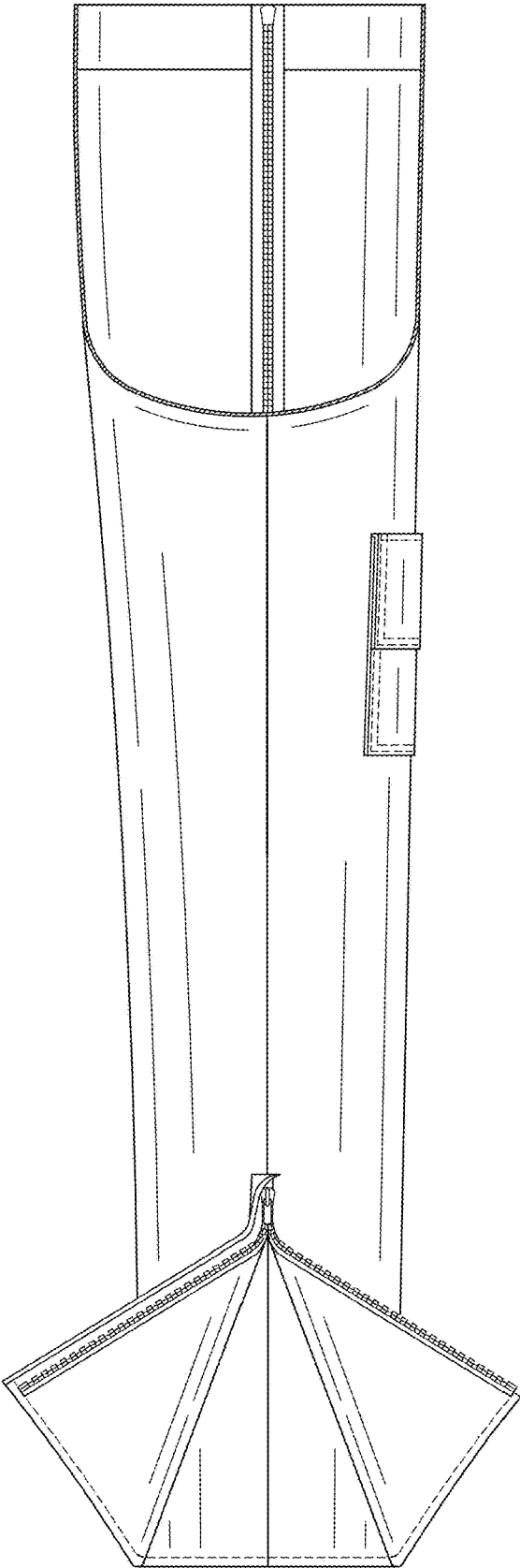


FIG. 13

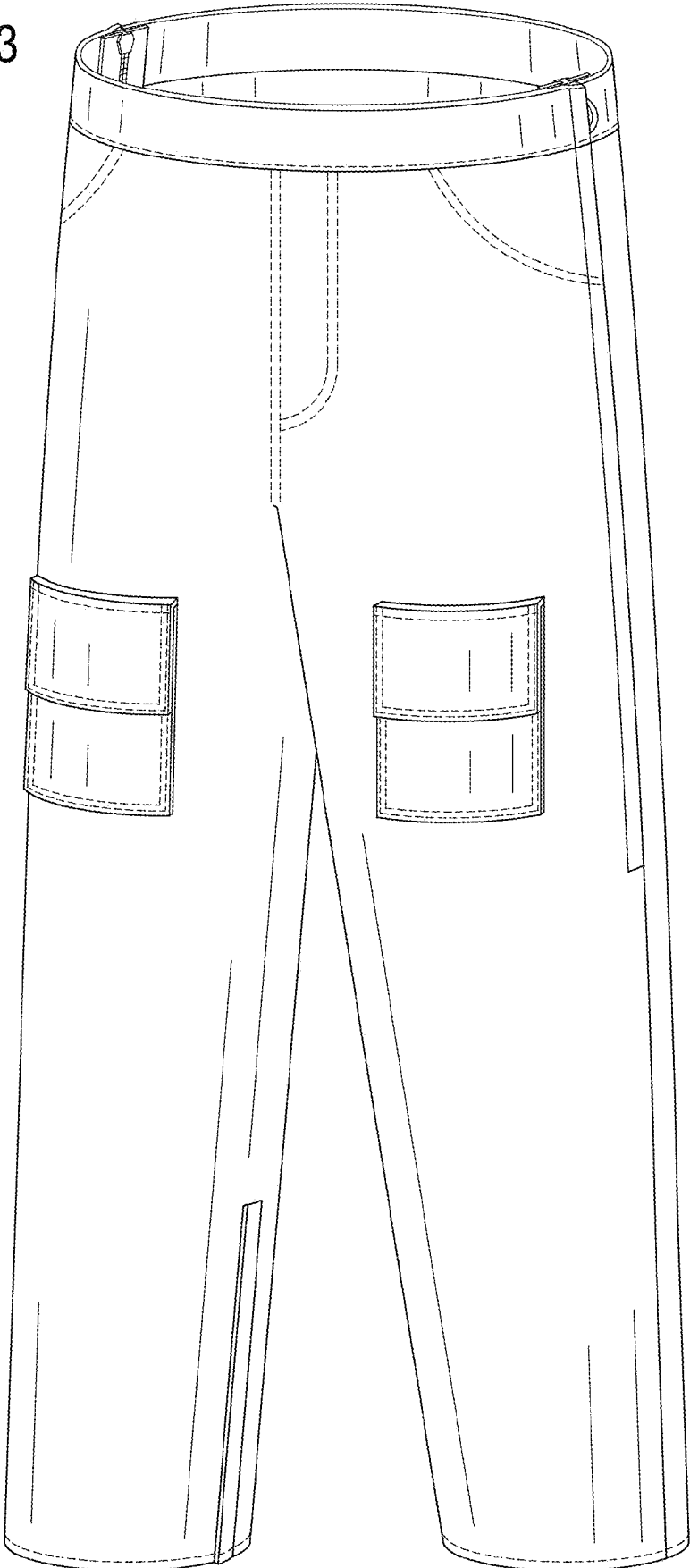


FIG. 14

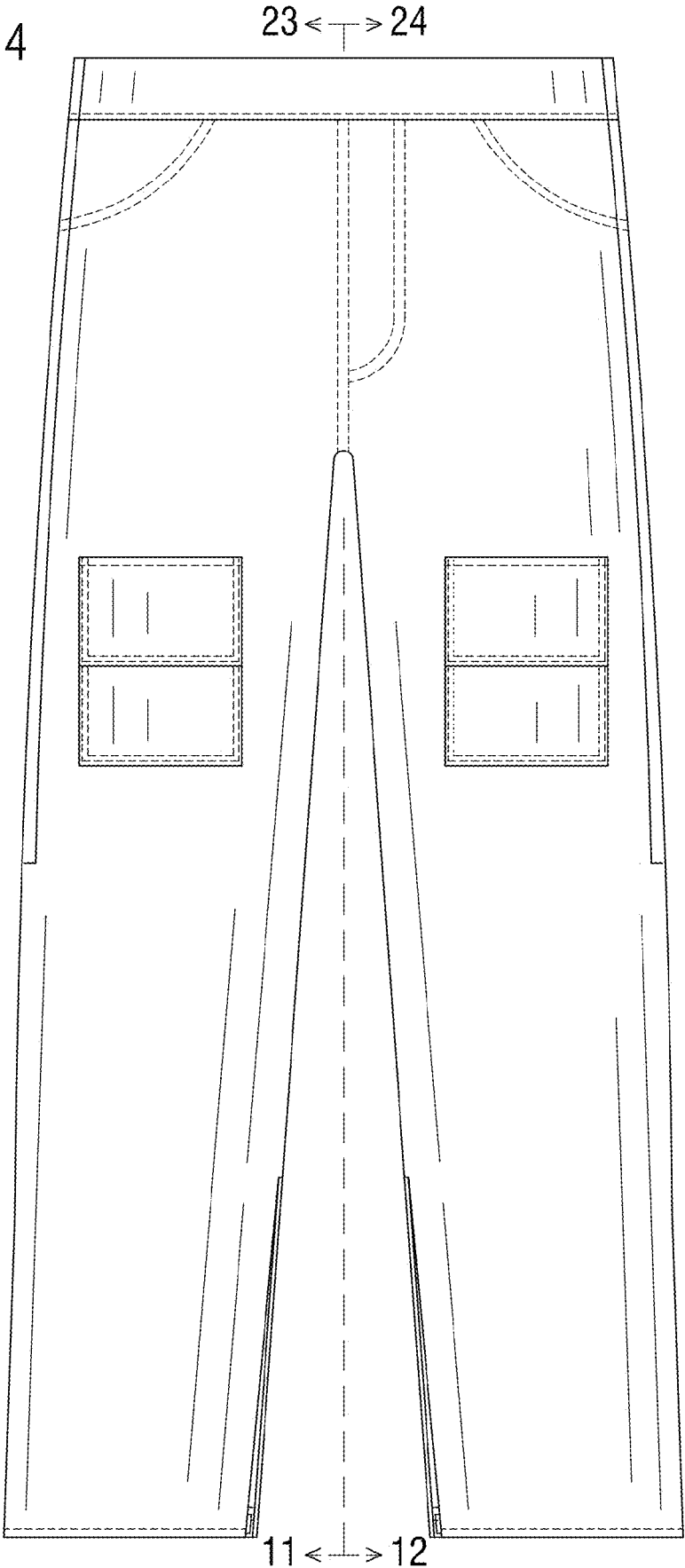


FIG. 15

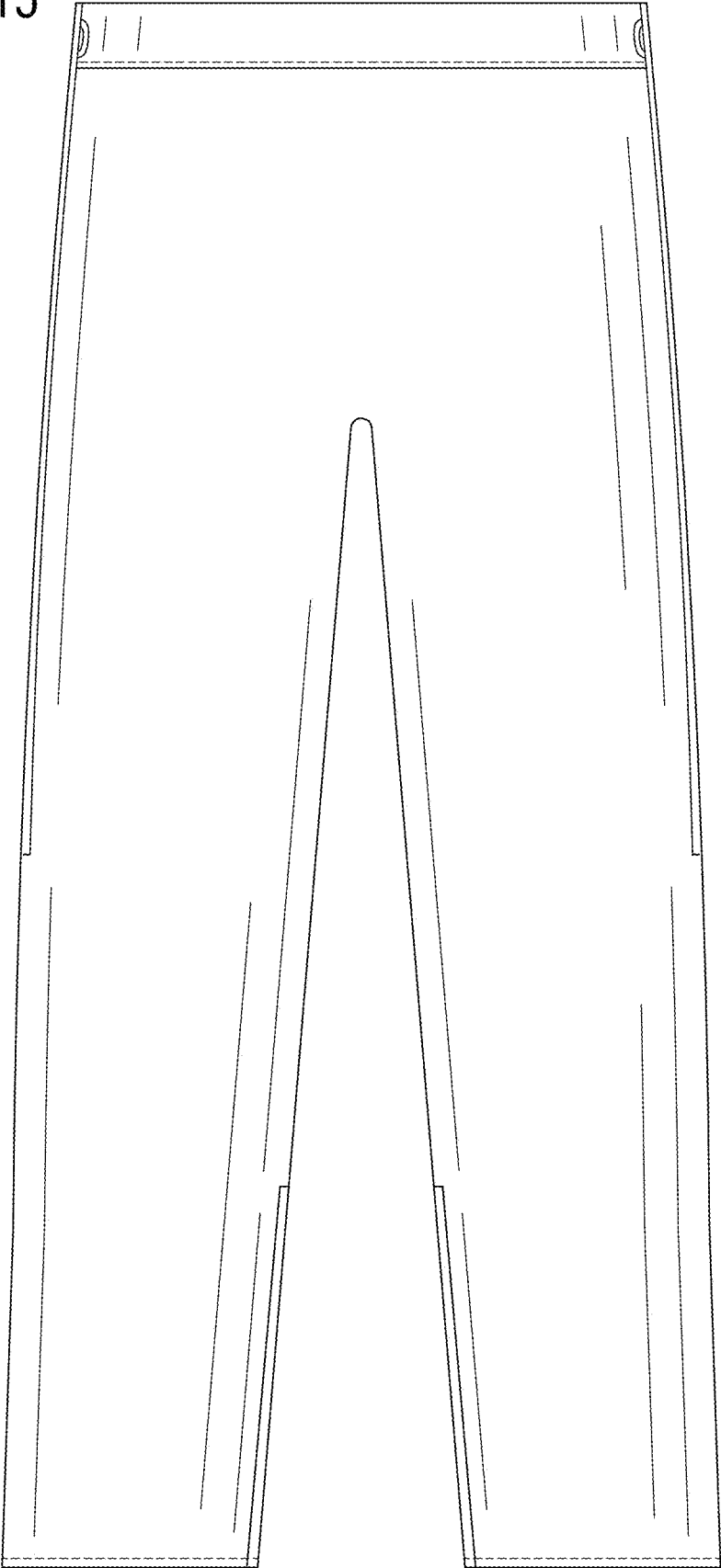


FIG. 16

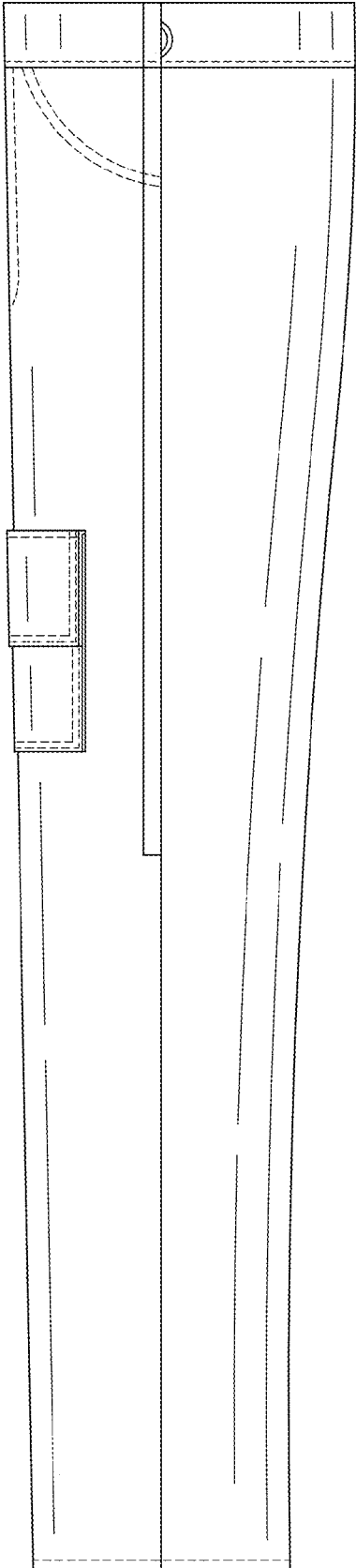


FIG. 17

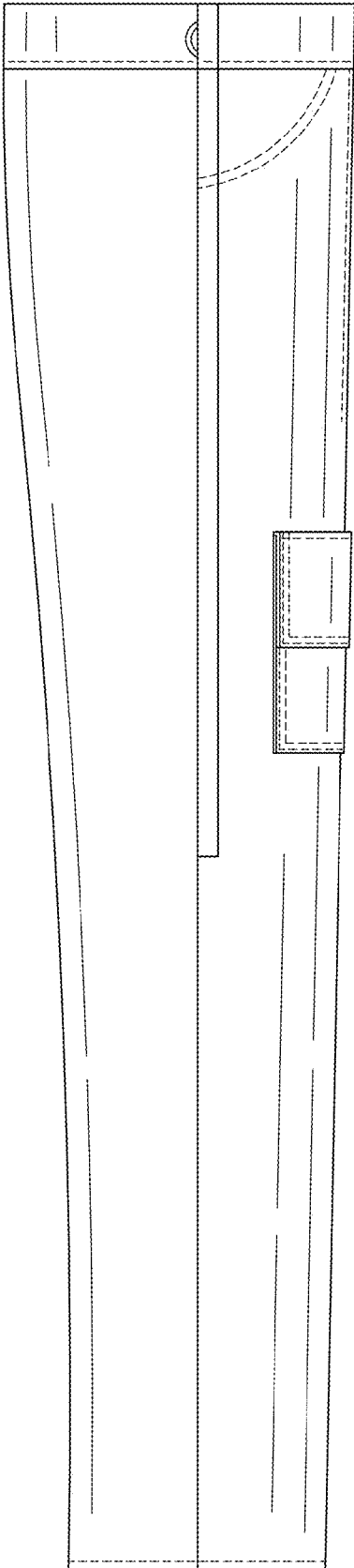


FIG. 18

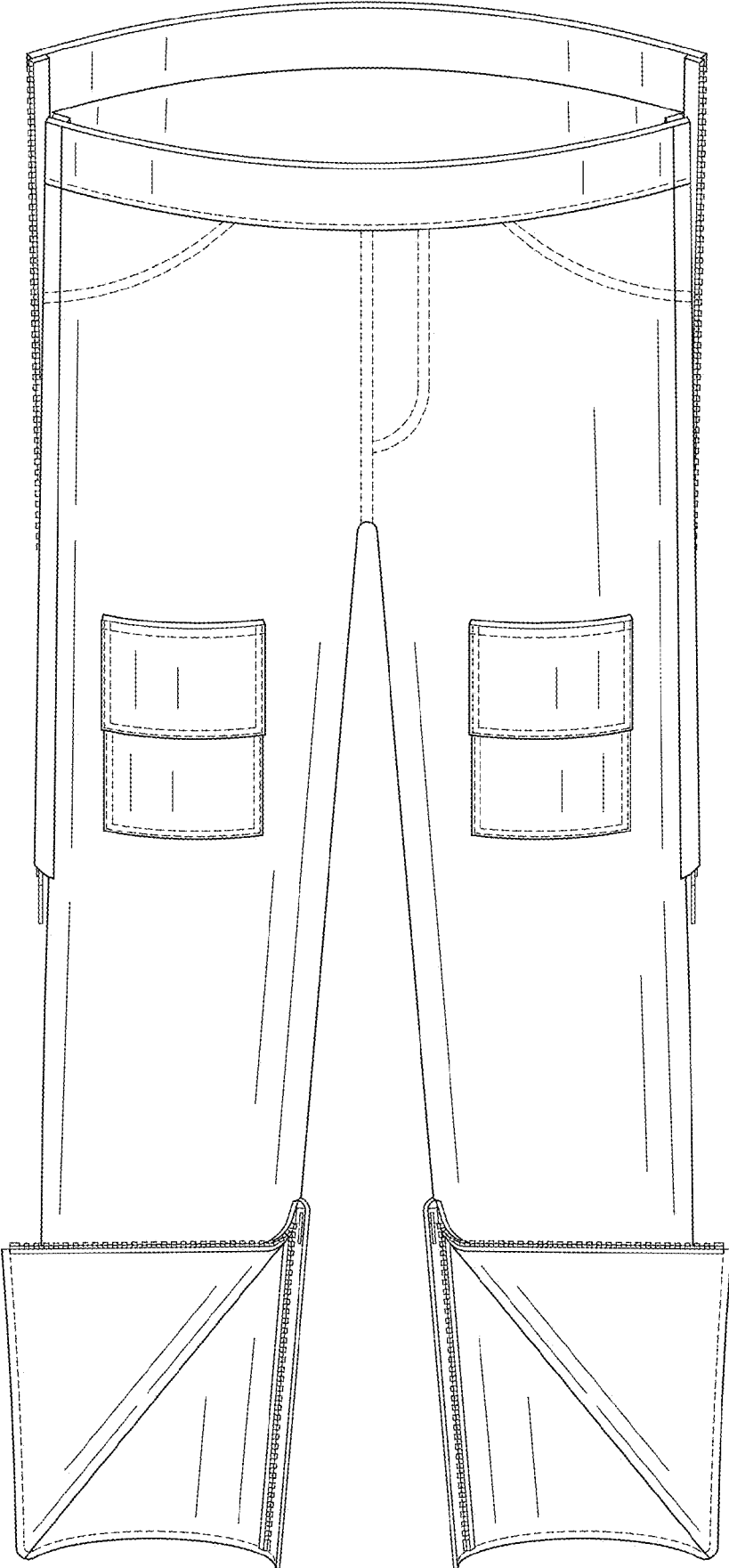


FIG. 19

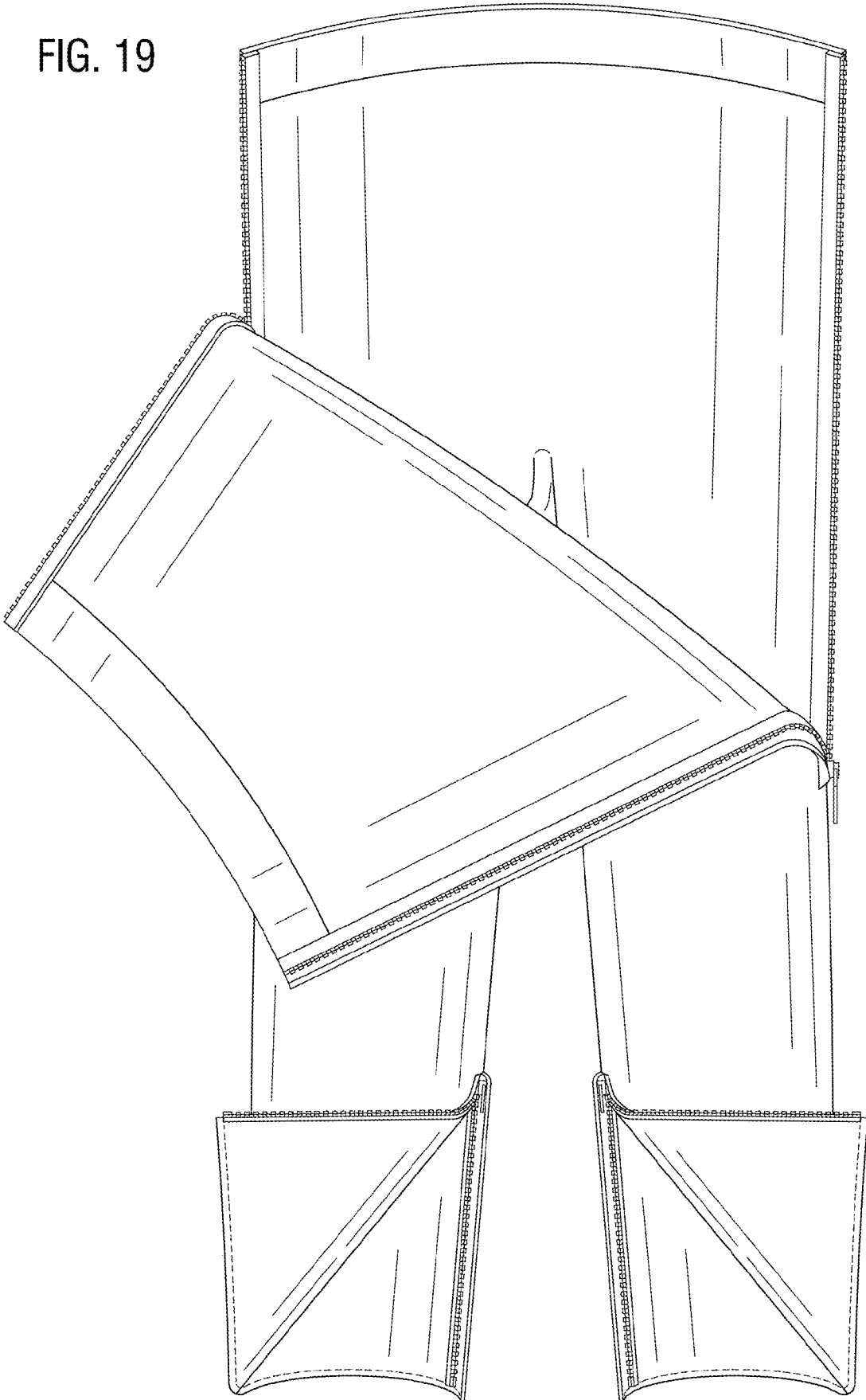


FIG. 20

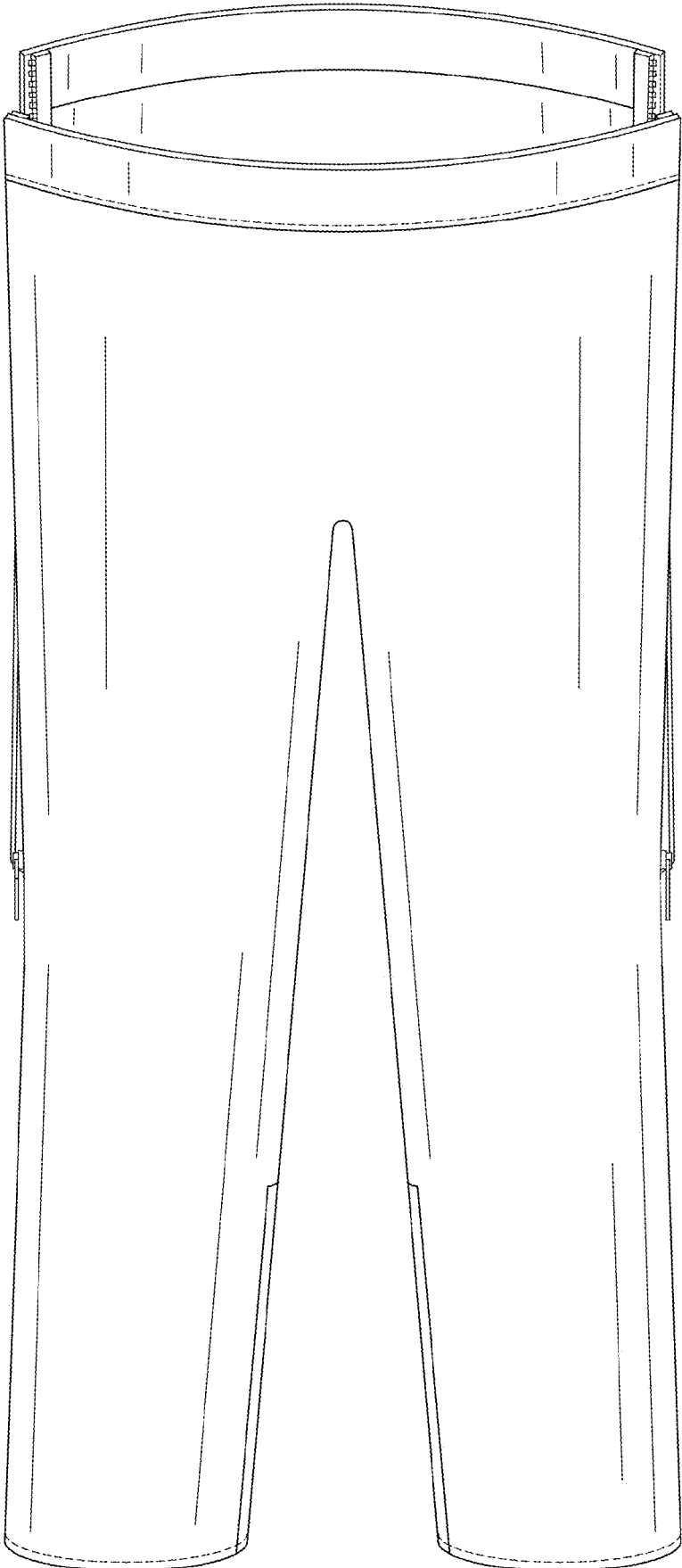


FIG. 21

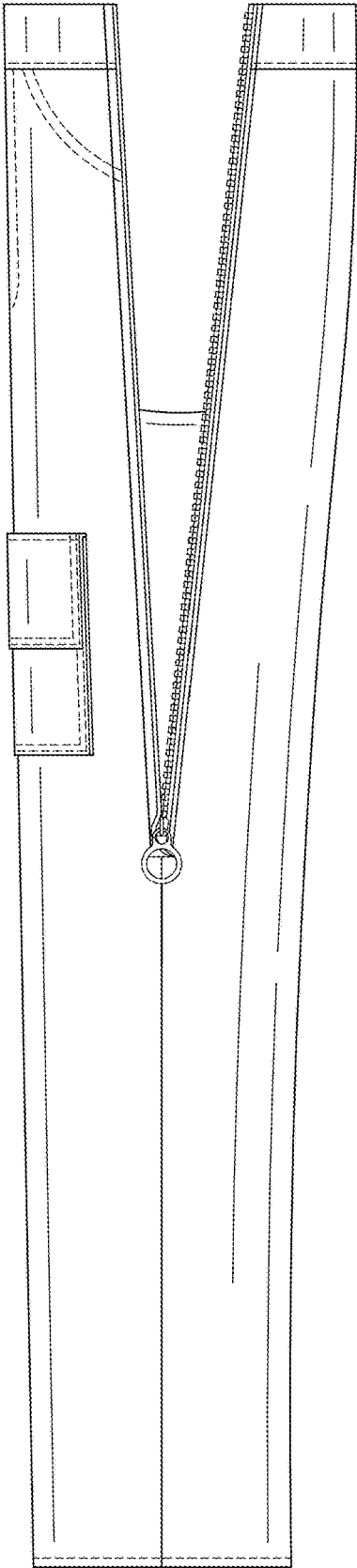


FIG. 22

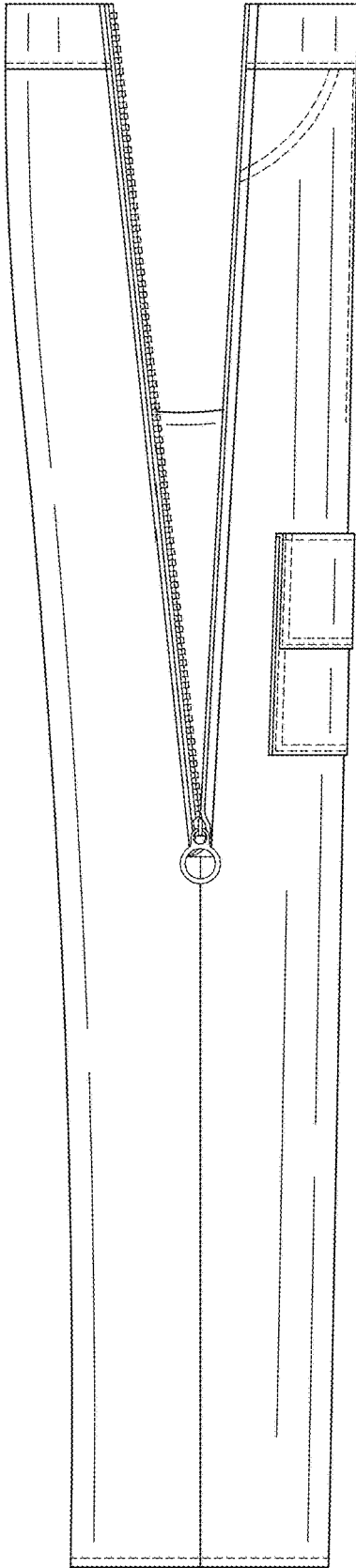


FIG. 23

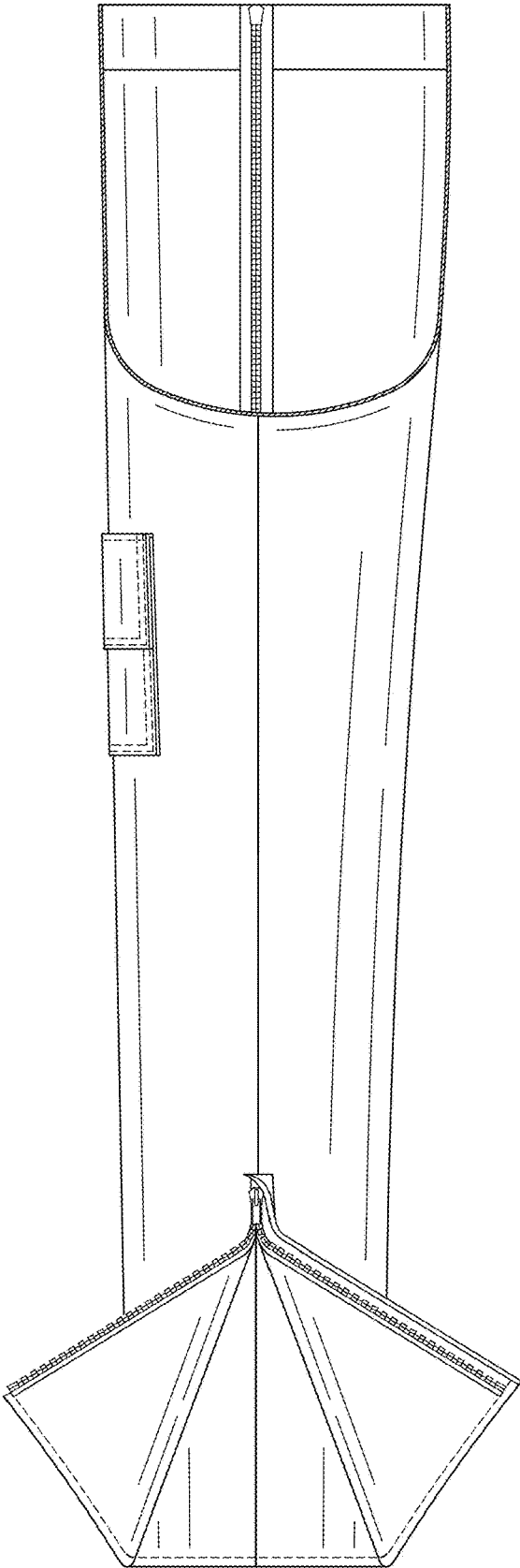


FIG. 24

