

(19) World Intellectual Property Organization
International Bureau



(43) International Publication Date
20 September 2001 (20.09.2001)

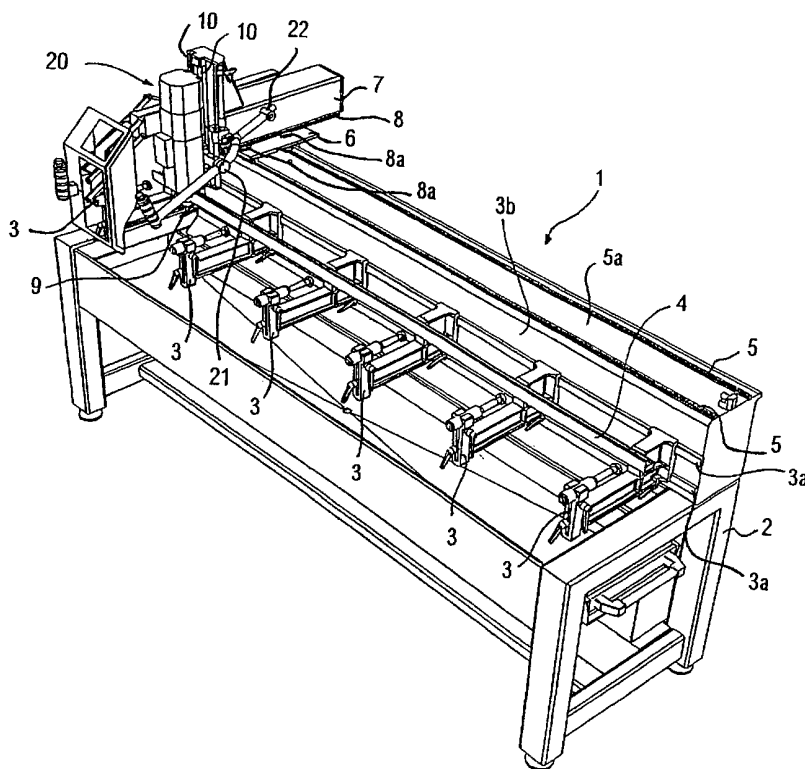
PCT

(10) International Publication Number
WO 01/69337 A3

- (51) International Patent Classification⁷: **G05B 19/423**
- (74) Agent: **CRUGNOLA, Pietro**; Luppi & Crugnola S.r.l., Viale Corassori, 54, I-41100 Modena (IT).
- (21) International Application Number: PCT/IB01/00386
- (81) Designated States (*national*): AE, AG, AL, AM, AT, AU, AZ, BA, BB, BG, BR, BY, BZ, CA, CH, CN, CO, CR, CU, CZ, DE, DK, DM, DZ, EE, ES, FI, GB, GD, GE, GH, GM, HR, HU, ID, IL, IN, IS, JP, KE, KG, KP, KR, KZ, LC, LK, LR, LS, LT, LU, LV, MA, MD, MG, MK, MN, MW, MX, MZ, NO, NZ, PL, PT, RO, RU, SD, SE, SG, SI, SK, SL, TJ, TM, TR, TT, TZ, UA, UG, US, UZ, VN, YU, ZA, ZW.
- (22) International Filing Date: 15 March 2001 (15.03.2001)
- (25) Filing Language: Italian
- (26) Publication Language: English
- (30) Priority Data: MO2000A000045 15 March 2000 (15.03.2000) IT
- (84) Designated States (*regional*): ARIPO patent (GH, GM, KE, LS, MW, MZ, SD, SL, SZ, TZ, UG, ZW), Eurasian patent (AM, AZ, BY, KG, KZ, MD, RU, TJ, TM), European patent (AT, BE, CH, CY, DE, DK, ES, FI, FR, GB, GR, IE, IT, LU, MC, NL, PT, SE, TR), OAPI patent (BF, BJ, CF, CG, CI, CM, GA, GN, GW, ML, MR, NE, SN, TD, TG).
- (71) Applicant (*for all designated States except US*): **EM-MEGI S.P.A.** [IT/IT]; Via Archimede, 10, I-41010 Limidi di Soliera (IT).
- (72) Inventor; and
- (75) Inventor/Applicant (*for US only*): **CAIUMI, Andrea** [IT/IT]; Via Buonarroti, 5, I-41012 Carpi (IT).
- Published: — *with international search report*

[Continued on next page]

(54) Title: APPARATUS AND METHOD FOR WORKING PROFILED ELEMENTS



(57) Abstract: A machine (1) for working semi-worked pieces (4), in particular elongated semi-worked pieces, comprises machine bed means (2) suitable for receiving said semi-worked pieces (4), blocking means (3) suitable for blocking said semi-worked pieces (4) on said machine bed means (2), tool means (9) movable along three mutually perpendicular axes, an automatic control device (31) suitable for controlling the movement of said tool means (9) along a first and a second axis of said three axes and manually controlled actuating means (11B, 12; 32, 33) for moving said tool means (9) along a third axis of said three axes. A method for working a semi-worked piece (4), in particular an elongated semi-worked piece, using tool means (9) movable along three mutually perpendicular axes, comprises positioning said tool means (9) with respect to said semi-worked piece by displacing said tool means (9) along a first and a second axis of said three axes, translating said tool means (9)

along a third axes of said three axes for bringing said tool means (9) in contact with said semi-worked piece (4), actuating said tool means (9) and moving said tool means (9) along said first and second axis for carrying out a working on said semi-worked piece (4); said positioning and said moving are performed through an automatic control device (31) and said translating is performed through manual control means (11B, 12; 32, 33).



WO 01/69337 A3



(88) Date of publication of the international search report:
6 December 2001

For two-letter codes and other abbreviations, refer to the "Guidance Notes on Codes and Abbreviations" appearing at the beginning of each regular issue of the PCT Gazette.

INTERNATIONAL SEARCH REPORT

Intern: al Application No
PCT/IB 01/00386

A. CLASSIFICATION OF SUBJECT MATTER IPC 7 G05B19/423		
According to International Patent Classification (IPC) or to both national classification and IPC		
B. FIELDS SEARCHED		
Minimum documentation searched (classification system followed by classification symbols) IPC 7 G05B		
Documentation searched other than minimum documentation to the extent that such documents are included in the fields searched		
Electronic data base consulted during the international search (name of data base and, where practical, search terms used) EPO-Internal, WPI Data		
C. DOCUMENTS CONSIDERED TO BE RELEVANT		
Category °	Citation of document, with indication, where appropriate, of the relevant passages	Relevant to claim No.
X	FR 2 354 832 A (MOLNAR GYULA) 13 January 1978 (1978-01-13) page 1; claims 1-4; figures 1,2 ---	1-5, 26, 27, 32-35
X	DE 298 03 098 U (KNAUTH ANDREAS) 16 April 1998 (1998-04-16) page 4-5; figures 1,2 ---	1-5, 26-35
A	GB 2 136 359 A (JORDAN & SONS LIMITED) 19 September 1984 (1984-09-19) page 2, line 5 -page 105, line 105 ---	1-36
A	DE 93 15 813 U (DROOP & REIN) 16 December 1993 (1993-12-16) page 5-7; claims 1-6; figures 1,2 --- -/--	1-36
<input checked="" type="checkbox"/> Further documents are listed in the continuation of box C.		
<input checked="" type="checkbox"/> Patent family members are listed in annex.		
° Special categories of cited documents :		
A document defining the general state of the art which is not considered to be of particular relevance	*T* later document published after the international filing date or priority date and not in conflict with the application but cited to understand the principle or theory underlying the invention	
E earlier document but published on or after the international filing date	*X* document of particular relevance: the claimed invention cannot be considered novel or cannot be considered to involve an inventive step when the document is taken alone	
L document which may throw doubts on priority claim(s) or which is cited to establish the publication date of another citation or other special reason (as specified)	*Y* document of particular relevance: the claimed invention cannot be considered to involve an inventive step when the document is combined with one or more other such documents, such combination being obvious to a person skilled in the art.	
O document referring to an oral disclosure, use, exhibition or other means	*&* document member of the same patent family	
P document published prior to the international filing date but later than the priority date claimed		
Date of the actual completion of the international search <div style="text-align: center; font-weight: bold;">31 August 2001</div>	Date of mailing of the international search report <div style="text-align: center; font-weight: bold;">13/09/2001</div>	
Name and mailing address of the ISA European Patent Office, P.B. 5818 Patentlaan 2 NL - 2280 HV Rijswijk Tel. (+31-70) 340-2040, Tx. 31 651 epo nl, Fax: (+31-70) 340-3016	Authorized officer <div style="text-align: center; font-weight: bold;">Tran-Tien, T</div>	

INTERNATIONAL SEARCH REPORT

Intern: al Application No
PCT/IB 01/00386

C.(Continuation) DOCUMENTS CONSIDERED TO BE RELEVANT

Category °	Citation of document, with indication, where appropriate, of the relevant passages	Relevant to claim No.
A	EP 0 160 217 A (LUTZ EUGEN MASCH) 6 November 1985 (1985-11-06) abstract ---	1-36
A	US 4 715 108 A (SUGIYAMA KIYOSHI ET AL) 29 December 1987 (1987-12-29) abstract -----	1-36

INTERNATIONAL SEARCH REPORT

Information on patent family members

International Application No

PCT/IB 01/00386

Patent document cited in search report	Publication date	Patent family member(s)	Publication date
FR 2354832 A	13-01-1978	NONE	
DE 29803098 U	16-04-1998	NONE	
GB 2136359 A	19-09-1984	NONE	
DE 9315813 U	16-12-1993	NONE	
EP 0160217 A	06-11-1985	DE 3412576 C AT 35925 T DE 3563923 D	10-10-1985 15-08-1988 01-09-1988
US 4715108 A	29-12-1987	JP 62004543 A KR 8903308 B	10-01-1987 16-09-1989