



(22) Date de dépôt/Filing Date: 2001/09/19
 (41) Mise à la disp. pub./Open to Public Insp.: 2002/03/20
 (45) Date de délivrance/Issue Date: 2010/06/15
 (30) Priorités/Priorities: 2000/09/20 (US09/665,891);
 2001/05/04 (US09/849,375)

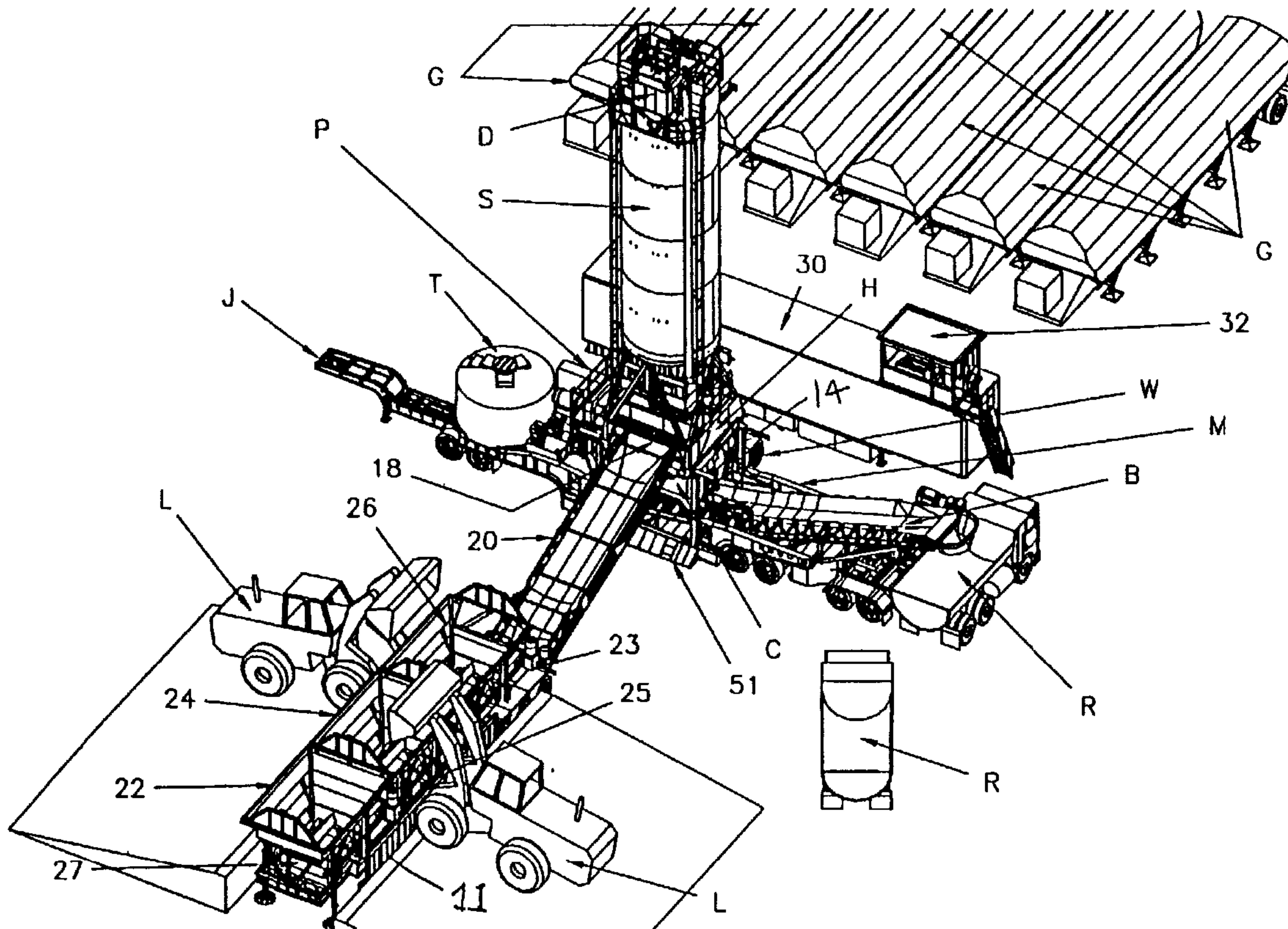
(51) Cl.Int./Int.Cl. *B28C 9/04* (2006.01),
B28C 5/42 (2006.01), *B60P 3/16* (2006.01)

(72) Inventeurs/Inventors:
 GUNTERT, RONALD M., JR., US;
 CAPE, WILLIAM R., US;
 CAPE, CHRISTOPHER, US;
 SALGAROLLO, ROBERTO, BE;
 CAMPBELL, LOWELL B., US;
 DAHLINGER, GERALD LEE, US

(73) Propriétaire/Owner:
 GUNTERT & ZIMMERMAN CONST. DIV. INC., US

(74) Agent: FETHERSTONHAUGH & CO.

(54) Titre : CENTRALE DE DOSAGE ET DE MALAXAGE DE BETON A HAUT VOLUME MOBILE AYANT UN
 MALAXEUR A AXE VERTICAL OBLIGATOIRE DOTE DE SILOS APPUYES SUS-JACENTS
 (54) Title: HIGH VOLUME PORTABLE CONCRETE BATCHING AND MIXING PLANT HAVING COMPULSORY MIXER
 WITH OVERLYING SUPPORTED SILO



(57) Abrégé/Abstract:

A first mixer trailer forms the plant frame foundation around a twelve-yard compulsory mixer. The compulsory mixer is mounted for elevation relative to plant frame foundation by hydraulic lifting columns. In system erection, a cement silo trailer is first mounted to

(57) **Abrégé(suite)/Abstract(continued):**

the top of the compulsory mixer when the compulsory mixer is at ground level. Thereafter, both the mounted silo and the compulsory mixer are raised and pinned in place by the hydraulic lifting columns so that gravitational discharge of mixed concrete can occur directly from the compulsory mixer to an underlying transporting apparatus, usually a truck.

**HIGH VOLUME PORTABLE CONCRETE PLANT HAVING COMPULSORY
MIXER WITH OVERLYING SUPPORTED SILO**

ABSTRACT OF THE DISCLOSURE

A first mixer trailer forms the plant frame foundation around a twelve-yard compulsory mixer. The compulsory mixer is mounted for elevation relative to plant frame foundation by hydraulic lifting columns. In system erection, a cement silo trailer is first mounted to the top of the compulsory mixer when the compulsory mixer is at ground level.

- 5 Thereafter, both the mounted silo and the compulsory mixer are raised and pinned in place by the hydraulic lifting columns so that gravitational discharge of mixed concrete can occur directly from the compulsory mixer to an underlying transporting apparatus, usually a truck.

SF 1217444 v1

5

**HIGH VOLUME PORTABLE CONCRETE BATCHING AND MIXING PLANT
HAVING COMPULSORY MIXER WITH OVERLYING SUPPORTED SILO**

10

This invention relates to portable, batching and mixing concrete plants having a compulsory mixer. More particularly, a four trailer portable concrete plant is disclosed having a mixer trailer, silo trailer, aggregate trailer, and control trailer. The mixer trailer forms at its mounted compulsory mixer a foundation on which the trailer-transported silo is erected. An aggregate trailer mates to the assembled mixer and silo trailers to supply aggregate. These three assembled trailers when combined to a control trailer form a mobile batching and mixing plant of high capacity, which can be erected on site in a day without semi-permanent foundations, without the need of a crane and controlled in operation and powered from the control trailer.

This application relates to the elevation of a compulsory mixer during the erection of the portable plant. This elevation of the compulsory mixer enables direct discharge to underlying transporting trucks without the necessity of using an off loading conveyor for concrete from the compulsory mixer.

BACKGROUND OF THE INVENTION

In the above referenced disclosure – which at the time of the filing of this application was a pending US Patent Application – we set forth the extant background and related art. The design in the former application illustrated a two trailer portable plant having a maximum capability in the range of 300 cubic yards of concrete per hour. Subsequent development and design by us has indicated that a plant of twice that size

may well be required. As no such high quantity mobile concrete plants have yet been operated or disclosed, we therefore repeat the background of the invention as originally set forth in that invention.

5 In the discussion that follows, the prior art is set forth in terms of the need for this invention. It is to be understood that we claim invention both in the recognition of that need as well as the solution that follows.

10 Modern concrete paving practices impose more severe constraints on concrete quality every year. Specifically, concrete when freshly mixed is tested and measured for different desired qualities and standards pursuant to imposed and specified quality control standards. These standards include moisture content (or slump), both compressive and flexural strength after a prescribed number of days, aggregate shape, air content, and uniformity, to name a few. If the quality standards of the concrete produced vary statistically above or below the prescribed standard mean, then the concrete producer is penalized financially.

15 Exemplary of these standards would be concrete compressive strength where the concrete strength is to reach say 3,500 psi in 28 days. The specification might allow a variation of this standard of 5% above or below this mean or the contractor would be penalized.

20 It is generally agreed that higher strength concrete can be reached in a shorter period of time by better mixing action and lower water / cement (W/C) ratios. Thus the lower the concrete slump, the easier it is for the contractor to reach the specified strengths. The trend in the industry is toward lower W/C ratios. Low W/C ratio concrete mixed in conventional tilting drum mixers do not reach uniformity as quickly as the mixer used in this invention.

25 The cost of the concrete makes up the majority of the cost of the road or airport pavement being built. Given the large volumes of concrete processed in such paving contracts, supervisory and specifying authorities such as state and federal inspectors can only statistically sample the loads of concrete to determine the quality of the concrete delivered by the contractor. Because of the large quantity of concrete that can be produced by the contractor in a day, the contractor faces great financial risk if many days pass before he realizes the concrete he is producing is testing outside of specification mean. The above example is intended to show how important it is for the contractor to maintain quality control on the concrete he produces. It is imperative that 30 the contractor use batching and mixing equipment capable of delivering uniformly mixed

concrete of the low slump variety to precision construction specifications without increasing the mixing time required to reach uniformity. If it takes longer mixing times to reach uniformity, the number of concrete batches per hour that plant can produce decreases. This results in the contractors cost to place the concrete increasing because his
5 fixed paving costs per hour are divided by fewer yards of concrete.

Modern concrete paving practices also call for the use of slipform pavers, which in operation consume relatively large amounts of concrete. On a typical urban size paving job, where the total cubic yards of concrete to be used on the job is relatively small, a modern paver can consume concrete in the range of 240 to 300 cubic yards per
10 hour. On larger jobs the contractor may choose to mobilize, produce and deliver concrete to the slipform paver at a higher rate with a larger plant with higher capacity. Exemplary of such a paver is that Slipform Paver sold under the designation of model S850 built by Guntert & Zimmerman of Ripon, California. The fundamental design of this model was pioneered by the late Ronald M. Guntert, Sr. of Stockton, California as set forth in US
15 Patents 4,493,584 and 5,135,333.

Other more recent examples of pavers consuming high volumes of concrete can be found in US Patent 5,590,977 entitled Four Track Paving Machine and Process of Transport by Ronald M. Guntert (herein) et al. And US Patent 5,615,972 entitled Paving Machine with Extended Telescoping Members by Ronald M. Guntert
20 (herein).

As cement in the concrete starts to hydrate during transport to a paving site, portable concrete batching and mixing plants have been developed for mixing concrete adjacent the paving site. This reduces the hauling distance to where the concrete is being used and to reduce the number of concrete hauling units required. Simply stated,
25 from a plant, which mixes concrete to the site where such mixed concrete is placed, most contract specifications set a time limit of 30 minutes for non-agitating trucks, which is about a 12 mile transport limit. This practical transport limit is reduced in high traffic areas or other situations where the average speed at which the hauling unit can travel is reduced. If the time limit is exceeded, the concrete that is hauled will start to set before
30 the paver places it and the paver placed concrete will not meet the required contract standards.

Secondly, and given the high quality constraints placed on the paved and/or placed concrete product, so-called continuous mixing concrete plants have proven inadequate. Such plants are capable of delivering large volumes of concrete but do so on

a continuous flow basis. The exacting standards of thorough mixing covered by precise constituent proportion make the continuous flow adjustment of such plants hazardous from the quality control standpoint. As a result, such continuous mixing concrete plants have not been accepted in modern paving practice, at least in the North American paving market. It is only the processing of specific "batch" quantities of cement, water and aggregates that constitute concrete that enables the relatively high quality requirements to be maintained and conventional calibration and quality assurance measures to be used.

Prior art portable modern batching and mixing concrete plants are large, require concrete foundations and are difficult to erect, often consuming three to five days in assembly. Frequently, these plants require special rigging equipment, such as cranes to accomplish erection. Specifically, it is not uncommon for such plants to occupy 7 or more (sometimes as many as 11) transporting trailers. Further, such plants utilize rotating and tilting drum mixers located high overhead so they can tilt and gravity feed the mixed concrete into the hauling units. The mixer itself is belt fed with aggregates that are gravity fed through batching / weighing hoppers to maintain precise concrete constituent proportions. This produces several undesirable features, which complicate the erection and subsequent operation of such plants:

First the feeding belt is usually gravity fed from overlying storage bins and weighing / batching hoppers. Thus, considerable weight must be supported at substantial heights from the ground on such portable plants. Using weighing belts instead of weighing hoppers is novel in the U.S. for mixing concrete. It is quite common in the asphalt mixing plant industry. In order to load the overlying storage bins that cannot be reached directly by a front-end loader, separate charging conveyors with charging bins are used for each aggregate and sand. The charging bins are at an elevation that can be reached by a front-end loader. Because of the requirement of these charging conveyors and bins, the plant site required is quite large limiting the number of places the plant may be set up.

Second, such rotating mixing drums must be tilted, and in a few cases, reversed in rotation for discharge. This tilting of the drum superimposes a moment requirement upon the weight support requirement of the rotating drum. As a result of the weight and moment requirements, most so-called portable concrete batching and mixing plants require concrete foundations. Further, in a few cases, reversing the mixing drum rotation not only interrupts mixing, but also consumes momentum, and utilizes heavy reversible drives.

Third, because the rotating mixer drums are supported high in the air, if the more desirable gravity feed of cement is used with the rotating mixer drum, the cement silo must be elevated even higher in the air. The resulting silo and structure requires concrete foundations. To save height, and in lieu of gravity feed from the silo to the cement batcher, many manufacturers of conventional concrete plants use cement screws or air slides to convey the cement into the mixer. Most contractors agree these cement-conveying schemes are undesirable although many times tolerated to minimize the silo height. The principle disadvantage of such schemes is that aeration of the cement impedes accurate fast measurement of the concrete.

Fourth, because tilting drum mixers are open in front for discharge and open in the back for loading the concrete constituents into the mixer, it is very difficult to suppress the dust that results from the ingredient loading operation. The inability to adequately suppress the dust coming out of the mixers limits the use of the plant in many urban settings.

Fifth, because the tilting / rotating drum mixer rotates on rollers, can be driven by chain drives or gearbox driving gear on drum. The mixer drum is essentially open during the mixing process. As a result, these conventional mixers are very noisy which limits the use of this plant in many urban settings because of the high decibel readings produced.

Sixth, conventional batching and mixing plants are highly specialized. A contractor will own one plant for his jobs requiring concrete production of 200 to 300 cubic yards per hour and another complete plant when his concrete production needs are 400 to 500 cubic yards per hour. Generally, the larger the plant production capacity per hour the more cumbersome and costly the plant is to transport, set-up and tear down. Moreover, most larger plants that approach the capacity of this invention require two mixer drums. This requirement further makes these plant even more cumbersome and costly to transport, set-up, tear down and maintain.

Finally, rotating / tilting drum mixers are relatively slow in delivering desired amounts of thoroughly and uniformly mixed low slump concrete, base courses and soil cement. Rotating / tilting drum mixer has paddles affixed to the rotating drum wall. Rotating / tilting drum mixers mix by concrete being lifted to the top of the drum and dump it on the concrete below. The limitation of this design is that dry material bridges in the mixer and does not discharge out of the drum readily. Moreover, when cement substitutes are used such as slags, the concrete tends to be sticky which again

impedes rapid discharge. With low slump concrete or soil cement, this problem is amplified. As compared to contemporary twin shaft, compulsory mixers now utilized in Europe, longer mixing cycles are generally required for the same material in rotating / tilting drum mixers. With low slump or difficult mix designs, rotating / tilting drum mixers produce less than thorough mixing with resultant "ribbons" of less than homogeneously mixed concrete when compared to a compulsory mixer. As a result, considerable additional mixing time or "dwell time" of the concrete in the rotating / tilting drum mixer is required resulting in fewer loads of concrete being produced in an hour.

It should be understood that so-called compulsory mixers are now in use in Europe and in limited use in North America for mixing soil cement and high performance concrete for the precast concrete pipe and bridge beam industry. These mixers include a top loading, parallel rotating shafts with interval and paired counter-rotating paddles, and a bottom discharge feature. In the past, such compulsory mixers have been used in the European market where the total transport envelope allowed is small when compared to North America. Furthermore, the production rates required in Europe are much lower because of philosophy and logistical requirements thus the size of these compulsory mixers is much smaller. Typically, the largest compulsory mixer used in Europe is 4,5 (6 cyd) m³ and occasionally 6 m³ (8 cyd). As a consequence, such compulsory mixers have not been adapted to high volume portable concrete batching and mixing plants used in North America. The North American market demands that concrete be batched to match the load that the largest available hauling truck can handle. In the case of off road hauling, loads of up to 12 and even 13 cyd can be hauled by a single truck. This invention utilizes either a 10, 12 or 13 cyd compulsory mixer so production time is not lost in double batching. A plant of the dimensions of this invention would not have been conceived for the European market (or other markets which have adopted European transport standards) because the production rates required in Europe are much lower again because of philosophy and logistical requirements. It should also be noted that the majority of the compulsory mixers used in North America today are foreign made and all have mixing capacities of less than 6 cyd.

In understanding the background of this invention, attention should be directed to the practical consequences of having long erection times for portable concrete batching and mixing plants. First, modern slipform pavers can be moved to a new paving site and set-up within one working day (when short transport distances are involved, transport and set-up of the slipform in a day is feasible). Second, current "portable"

concrete batching and mixing plants of the same or similar capacity require between three and five days for an equivalent move with 300 to 400 man hours being devoted to each set-up and tear down. The practical result of the time differential between the movement of the slipform paver and the movement of the current so-called portable batching and mixing plant is interesting to understand.

Taking the case of roadway paving of a four lane divided highway, both directions of traffic are diverted to one side of the highway while concrete placement, paving and curing occurs on the opposite side of the highway. Traffic must be maintained while rehabilitating the concrete road. Curing of newly placed concrete on a highway occupies up to 28 days before traffic is allowed on the highway. There is a considerable interval of time where the nearby batching and mixing plant - required to be nearby to reduce the transport interval - will normally remain idle given the total time interval for plant moving. Moving requires 3 to 5 days to set up and 3 to 5 days to dismantle. Thus the decision is frequently made to leave an erected plant idle and in place for paving the opposite side of a highway because it is too costly to move the plant. Considered from the standpoint of the contractor, the operating hours of a current portable batch plant are about half the operating hours of modern slipform pavers. Stated in other terms, the contractor must either own an additional batching and mixing plant or lose the opportunity to use the slipform paver in performing other work. Given modern capital requirements (including about \$850,000 for a "portable" batch plant and \$650,000 for a modern slipform paver), neither alternative is desirable.

Finally, there must be considered the dimension of the North American road transport envelope used in Canada, USA, Mexico, and Australia. Maximally, transported loads over high quality highways are normally limited to trailer vehicles having less than 85 feet length overall, 13 feet 6 inches in height (many states today allow 14'), and under 12 feet in width. It will thus be immediately understood that in producing a high capacity batch plant, the size of the transport envelope works against the design. While relative size is not normally a consideration in determining invention, in what follows transport envelope size is a critical design factor in the design of the two trailer transportable, high capacity concrete batching and mixing plant of this invention.

Plant footprint has been added as an important factor. Specifically, sites for portable concrete plants can be limited. As will be seen in the disclosure that follows, by utilizing a compulsory mixer and a foundation for an overlying silo, a small plant footprint is maintained.

We again stress that the identification of the above parameters is claimed as invention in so far as they are not collectively set forth in the prior art. It goes without saying that understanding of the problem to be solved can constitute invention, as well
5 as the solution to the problem once it is understood.

SUMMARY OF THE INVENTION

Accordingly, the present invention provides a process of erecting a high volume portable concrete plant on a plant site comprising the steps of: providing a first
10 trailer having a transporting wheel set at one end, a point for towing attachment at the other end, and supporting a compulsory mixer between the wheel set and point for towing attachment; positioning the first trailer on the plant site to support the compulsory mixer on the plant site; providing a second trailer having a transporting wheel set at one end, a point for towing attachment at the other end, and a cement silo
15 supported in a horizontal transport position between the point for towing attachment and the wheel set; placing the cement silo on the compulsory mixer from the horizontal transport disposition to an erected position overlying the compulsory mixer; and elevating the compulsory mixer and supported cement silo to enable discharge of mixed concrete to a transporting vehicle under the compulsory mixer.

20 The present invention also provides a process of erecting a high volume portable concrete plant on a plant site comprising the steps of: providing a first trailer having a transporting wheel set at one end, a point for towing attachment at the other end, and supporting a compulsory mixer between the wheel set and point for towing attachment with one side of the compulsory mixer exposed to a side edge of the first
25 trailer; positioning the first trailer on the plant site to support the compulsory mixer on the plant site; providing a second trailer having a steering transporting wheel set at one end, a point for towing attachment at the other end, and a cement silo supported in a horizontal transport position between the point for towing attachment and the wheel set; providing a cantilever pivot for attachment to the cement silo at one end and pivotal
30 attachment to the second trailer at the steering transporting wheel set to enable the cement silo to pivot from the horizontal transport position to an erect disposition overlying the compulsory mixer; positioning the second trailer at the steering transporting wheel set adjacent the compulsory mixer at the one side of the compulsory mixer by backing and steering the steering transporting wheel set; pivoting the cement

5 silo relative to the compulsory mixer on the cantilever support from the steering transporting wheel set of second trailer to move the silo from the horizontal transport disposition to the erected position overlying the compulsory mixer; and elevating the compulsory mixer after the pivoting of the cement silo step whereby the compulsory mixer and cement silo are elevated together.

10 The present invention also provides a process of erecting a high volume portable concrete plant on a plant site comprising the steps of: providing a first trailer having a transporting wheel set at one end, a point for towing attachment at the other end, and supporting a compulsory mixer between the wheel set and point for towing attachment; positioning the first trailer on the plant site to support the compulsory mixer on the plant site; providing a second trailer having a transporting wheel set at one end, a point for towing attachment at the other end, and a cement silo supported in a horizontal transport position between the point for towing attachment and the wheel set; placing the cement silo on the compulsory mixer from the horizontal transport disposition to the erected position overlying the compulsory mixer.

15 In a further aspect, the present invention also provides a high volume portable concrete hatching and mixing plant on a plant site comprising: a first trailer having a transporting wheel set at one end, a point for towing attachment at the other end, and supporting a compulsory mixer between the wheel set and point for towing attachment; the first trailer placed on the plant site to support the compulsory mixer on the plant site; a second trailer having a transporting wheel set at one end, a point for towing attachment at the other end, and a cement silo supported in a horizontal transport position between the point of towing attachment and the wheel set; the cement silo defining a hood for extending over the compulsory mixer, the hood enclosing a manifold for discharging water into the compulsory mixer; a cantilever pivot for attachment to the cement silo at one end and pivotal attachment to the first trailer at the other end to enable the cement silo to pivot from the horizontal transport position adjacent the compulsory mixer to an erect disposition overlying the compulsory mixer; the cantilever pivot attached between the cement silo and first trailer; the cement silo and second trailer overlying and supported relative to the compulsory mixer; and means for elevating the compulsory mixer whereby the cement silo is also elevated and a vehicle for receiving concrete can pass under the compulsory mixer for direct discharge from the compulsory mixer of mixed concrete.

A four trailer portable concrete plant has production volumes of up to 600 cubic yards of concrete per hour of concrete meeting exacting modern paving standards. A first mixer trailer with a mounted water tank forms the plant frame foundation at a twelve-yard compulsory mixer. This same trailer includes a concrete
5 elevating conveyor to receive concrete discharged from the mixer and elevating it to a height to discharge in a truck. A second silo trailer having over 900 barrel capacity has cantilever support from a steered wheel set at the (back) bottom of the silo. The silo trailer is backed up using the steered wheel set into the side of the compulsory mixer trailer and pinned at its cantilevered connection for pivotal erection. Once pinned to the
10 side of the compulsory mixer trailer, a silo trailer contained hydraulic jacking system self erects the silo utilizing the compulsory mixer and mixer trailer as a foundation. Prior to the silo being erected, a third aggregate trailer backs into the mixer trailer at the location of the mixer, on the side opposite where the silo was elevated. The aggregate trailer is positioned at a distance away from the mixer trailer so the aggregate elevating
15 conveyor can be lowered into the mixer dust hood (part of the silo) in a position to discharge into the mixer. Fourth, a control trailer having the operator controls, power and liquid admixture storage is adjustably positioned on the site to complete the plant. In operation, the silo is conventionally pneumatically filled with cement (50%), fly ash (25%), and slag (25%) with a total capacity of over 900 barrels. The fly ash and slag
20 compartments can be used as additional cement storage if no fly ash or slag is specified. The silo of this size permits gravitational settling of its pneumatically conveyed constituents and maintains a fully settled 200 barrel volume for convenient and reliable gravitational measured feed to paired underlying weigh hoppers. Once the prescribed amount of cementitious materials are batched in the weigh hoppers the
25 contents are then discharged into the compulsory mixer. Aggregate and sand is weighed and conveyed from the aggregate trailer in discrete 12-yard (more or less) batches to make concrete in the compulsory mixer. Once the compulsory mixer uniformly mixes the concrete the contents bottom dumps to an

elevating conveyer where off loading of mixed concrete to receiving trucks can conveniently occur.

The silo contains a complete dust collection system for the entire plant including dust created from the pneumatically conveyed cement and cement substitutes, dust created by conveyance from the silo to the weigh hoppers and finally dust created in the compulsory mixer mixing operation.

The first mixer trailer with a mounted water tank forms the plant frame foundation around a twelve-yard compulsory mixer. The compulsory mixer is mounted for elevation relative to plant frame foundation by hydraulic lifting columns. In system erection, the silo trailer is first lifted and secured to the top of the compulsory mixer when the compulsory mixer is at ground level. Thereafter, both the mounted silo and the compulsory mixer are raised and pinned in place by the hydraulic lifting columns so that gravitational discharge of mixed concrete can occur directly from the compulsory mixer to an underlying transporting apparatus, usually a truck.

A conveyer for mixed concrete from under a ground level compulsory mixer is no longer required. This simplifies plant cleanup and maintenance. Additionally, the plant footprint is both reduced in size and given greater flexibility. The portable plant footprint being smaller allows placement of the plant on a wider variety of temporary sites. Finally, with the absence of the conveying of the mixed concrete product, any question of potential segregation (that is classification or loss of complete mixture) of the concrete products is obviated.

BRIEF DESCRIPTION OF THE DRAWINGS

Fig. 1A is a perspective view of an erected and operating portable concrete batch plant in accordance with this disclosure illustrating the silo erected overlying the compulsory mixer with a connected aggregate batching attended by loaders with nearby control trailer with control, power, and admixture supply with six cement storage guppies pneumatically off loading cement and cement substitutes schematically shown;

Fig. 1B is a perspective view of the aggregate trailer and mixer trailer in position in accordance with this disclosure illustrating the silo trailer being erected and moving to the top dead center position;

Fig. 2 illustrates the mixer trailer under transport;

Fig. 3 illustrates the silo trailer under transport;

Fig. 4A and 4B illustrates respectively the control, power and admixture trailer under transport as well as a cut-a-way view of the trailer contents;

5 -Fig. 4C and 4D illustrates the aggregate trailer under transport and in the erected state illustrating the aggregate elevating conveyor and the ramp bulkheads lowered into the working position with some of the ramp bulkheads removed for the sake of illustration to show the trailer telescopic support legs for leveling the trailer.;

Figs. 5A - 5F illustrate plant erection with:

10 Fig. 5A showing the mixer trailer in place after the trailer frame being lowered to the ground using the air bag suspension and the aggregate trailer elevating belt in position with the silo trailer being backed and positioned at its steering rear wheel set toward a pinned position to the side of the compulsory mixer;

15 Fig. 5B showing silo trailer pinned to the side of the compulsory mixer trailer with the lifting cylinders and jacking pad moved to a levered position from which pivotal erection of the silo can occur;

Fig. 5C illustrates the silo at top dead center on its pivot with respect to the compulsory mixer and being received by the mixer mounted damping cylinders for gradual lowering of the silo to the firm support of the compulsory mixer;

20 Fig. 5D illustrates the erected silo overlying the compulsory mixer;

Fig. 5E illustrates the silo jacking pad partially retracted on its pivot from the silo trailer towing wheel set with the jacking pad being withdrawn to the silo overlying the compulsory mixer;

25 Fig. 5F illustrates the aggregate trailer elevating conveyor in position at the aggregate port of the compulsory mixer with reference being made to Fig. 1 to view the final erected disposition of the plant;

Figs. 6A – 6D show a perspective view of the cement silo alone with

30 Fig. 6A is a perspective view of the silo alone illustrating the cantilever supports, the paired weigh hoppers, the bottom silo discharge, and the elevated dust collection systems;

Fig. 6B is a side elevation of Fig. 6A illustrating the pair weigh hoppers utilized respectively for cement and cement substitute high volume weight batching;

Fig. 6C is a front elevation of Fig 6A illustrating paired butterfly and silo “pant leg” discharges to a single weigh hopper discharging between spray bars for the

introduction of water to the concrete batch in the compulsory mixer with the dust collection system at the top of the silo forming the fifth wheel connection platform; and,

Fig. 6D is a detail at the bottom of the silo illustrating one weigh hopper in place with a dust filters attached and the remaining weigh hopper moved outward so that cement entrance ports can be seen and the point of dust filter attachment understood;

Fig. 7 is a detail of the pin mechanism for pivoting the silo with respect to the bottom of the compulsory mixer;

Fig. 8 is detail of a locking mechanisms used on the silo for locking the weigh hoppers in place during silo transport;

Fig. 9 is a side elevation of the compulsory mixer trailer being towed, it being noted that the trailer does not include an off loading conveyor;

Fig. 10 illustrates the silo erected to the compulsory mixer as set forth in Figs. 5A through 5E with the exceptions that the silo pivots the female and male clevis are elevated with the silo so as to move the transporting wheel set of the silo upward to a non-interfering location; and,

Fig. 11 is a view of the silo in the erected disposition with the silo and compulsory mixer elevated for discharge to an underlying truck;

Fig. 12A is a plan of the erected plant shown in Fig. 11 illustrating the required longer aggregate (and independent) elevating conveyor from the aggregate trailer of Figs. 4C and 4D; and,

Fig. 12B is an alternate plan of the erected plant shown in Fig. 11.

DESCRIPTION OF THE SPECIFIC EMBODIMENTS

Referring to Fig. 1A, a perspective view of an assembled concrete plant P is shown. Centrally of Fig. 1A is mixer trailer M having water tank T, compulsory mixer C. Two twelve-yard dump trucks R are shown ready for sequential loading. This compulsory mixer may be able to handle and uniformly mix batches of up to 13 cyds. Of course batches smaller than 12 cyds can be batched and mixed at any time.

Silo trailer S is shown connected at cantilever beams 14 to rear steered silo trailer wheel set W. As can be observed in Fig. 1B, silo trailer S is elevated with respect to rear steered silo trailer wheel set W; the process by which this elevation occurs will be more apparent when referring to Figs. 5A - 5F.

Between silo trailer S and compulsory mixer C there is provided dust hood H. The dust hood H is a part of the silo lifting structure. Dust within hood H is evacuated by vertical plenum to dust collector. This feature will be discussed in detail when silo trailer S is hereafter fully explained.

5 Hood H defines aggregate aperture 18 open to receive aggregate from aggregate trailer A as conveyed by aggregate transport conveyor 20. This opening for the conveyed aggregates is located in the dust hood on the side adjacent to (or 90 degrees to) the cantilever lifting structure.

10 Aggregate trailer A includes sand bin 22, fine aggregate bin 24, and coarse aggregate bin 26. Underlying each of these bins are respective weigh conveyors 23, 25, and 27. These weigh conveyors 23, 25, and 27 receive from each bin weight measured charges of aggregate, discharge to aggregate collection conveyor 20 and the aggregate collection conveyor 20 discharges on to a aggregate elevating conveyor. This aggregate elevating conveyor elevates and causes aggregates to be appropriately batched into
15 compulsory mixer C. As can be seen, because of the high volume flow of concrete, up to two loaders L service the respective bins with required aggregate. Ramps are required on either side of the aggregate trailer so the loaders L can reach the center of the bins. Ramp bulkheads 11 are provided on either side of the aggregate trailer to facilitate building a loader ramp quickly.

20 Completing the assembled concrete plant P is control trailer 30 having control booth 32 and concrete liquid additive storage 34 with power plant 36. (See Fig. 4B) Further, and as is conventional with cement silo concrete plants, a series of cement and cement additive hauling guppy trailers G are used. As is well known in the art, conduits connecting the silo to the cement and cement additive hauling guppy trailers G
25 are required. These connections are not shown in the interest of simplifying the important elements of this disclosure. Furthermore, the power plant 36 is of adequate size so that it can supply the power required to run the hauling guppies G. The control trailer 30 is arranged with conventional disconnect boxes (also not shown) where the power cords from the hauling guppies can be connected to the control trailer power distribution panel.

30 Plant operation is believed apparent to those having skill in the art. While operation of silo trailer S and dust collection system D is novel and will be set forth in detail hereafter, the gross operation of the plant can be set forth. Specifically, compulsory mixer C has a twelve cubic yard capacity (vibrated and compacted concrete). – As has been noted, compulsory mixer C may even have the capacity to uniformly mix up to a

maximum of 13 cyd) with an actual enclosed volume sufficient to accommodate eighteen yards. Batching of cement, cement additives, water, and aggregate into the mixer can occur in less than 30 seconds. Thereafter, actual mixing operation of compulsory mixer C occurs for a period from 30 to 60 seconds starting from when the last rock enters the
 5 mixer and the first mixed concrete leaves the mixer. Compulsory mixer C bottom dumps mixed concrete and discharges concrete to receiving twelve yard (more or less) dump trucks R in under 21 seconds. Given the more than 900 barrel capacity of silo trailer S in cement and cement additives, the size of the aggregate weighing belts and the efficiency of the mixer, overall plant capacity up to 600 cubic yards per hour can be attained
 10 depending on the mixing time required by specification or to reach acceptable uniformity. Dependent upon job specifications, applicable regulations, job requirements including batch sizes, slower output rates may be required and are possible.

Having set forth overall operation of assembled concrete plant P, the transport disposition of this plant will be set forth. Thereafter, erection of assembled
 15 concrete plant P will be discussed. Finally, attention will be directed to silo trailer S as erected illustrating first dust collection system D operation and second weigh batching of the cement and cement additives.

Fig. 2 illustrates mixer trailer M under transport by tractor 40 at fifth wheel
 42. Because of the weight of compulsory mixer C, and the other items on the trailer, jeep
 20 J distributes the load of compulsory mixer C between fifth wheel 42 and rear jeep / tandem axles 44. Four tandem axles 46 are included in the major transporting elements of mixer trailer M. Depending on the axle spacing and weight limitation laws in the various regions of use, different combinations of this front jeep / rear jeep arrangement are possible. What is important is that the axle supporting frames second as a supporting
 25 base for the mixer trailer and silo when the air is let out of the air bags.

In the assembly of plant P, mixer trailer M is the first unit in place. As such, it is lowered at pad 50 directly onto (usually prepared) solid ground. For example, such prepared solid ground can include compacted aggregate base over well-drained soil. Lowering the trailer occurs by deflation of conventional air bags, not shown, between the
 30 respective rear jeep axles 44 and four tandem axles 46. In less than ideal soil, seismic or wind conditions, as an option, the mixer trailer can be supplied with outriggers 51 to increase the lateral stability of the mixer trailer with the silo erected.

Silo trailer S is illustrated in Fig. 3. It includes dust hood H, rear steered silo trailer wheel set W, and cantilever beams 14. The dust hood is a structural part of the

cantilever lifting beam structure. As can be seen, cantilever beams 14 are rigidly attached to silo trailer S and extend into distal relationship with rear steered silo trailer wheel set W at silo pivot point 50. As will be made clear hereafter, rear steered silo trailer wheel set W is backed to either side of compulsory mixer C at the mixer trailer and pinned into place. Hydraulic unit 52 actuated silo erecting pistons 56 to place erecting pad 54 on pad pivot arms 58 to cause self erection of silo trailer S on top of mixer trailer M.

Finally, and referring to Fig. 3, dust collection system D is shown at the “top” portion of silo trailer S adjacent tractor 40. It will be realized that by attaching dust collection system D and dust hood H to silo trailer S, we obviate the need for a separate dust collection trailer. Moreover, because the dust hood is an integral part of the silo trailer, we obviate the need to connect and disconnect the dust collection system during the erection or disassembly operation.

Referring to Fig. 4A and 4B, control trailer 30 only need be briefly addressed. It includes a conventional telescoping control booth 30, concrete liquid additive storage 34, power plant 36 and related accessories. Since this trailer is conventional, it will not be further discussed.

Referring to Fig. 4C and 4D, the aggregate trailer A is shown in the transport disposition. Its transport can be easily understood. Simply stated, aggregate elevating conveyor 20 is folded over the rear bin 22. As a variation of this, the aggregate elevating conveyor can be a separate unit capable of being transported on its own set of transporting axles. To reduce the length and height of the conveyor for transport, the conveyor can be folded up and lowered with the aid of hydraulic cylinders. The other advantage of a separate conveyor is the aggregate trailer and the aggregate elevating conveyor can be disposed 90 degrees to each other. In some tight plant site locations, this disposition might be helpful in achieving a smaller plant site footprint. (See Figs. 12A and 12B) The side of the bin is arranged to hinge out of the way to maintain the desired transport height. When the respective bins are empty, the illustrated wheel set enables normal transport. Before transporting, the aggregate trailer bulkheads 25 and bin 28 dividers must be hinged out of the way and the telescopic support tubes 29 manually retracted with the aid of hydraulic jacks. The aggregate trailer is illustrated in its working position in Fig. 4D. The construction of this aggregate trailer A is disclosed in our US Patent No. 6,186,654 issued on February 13, 2001 entitled Portable and Modular Mixing and Batching Plant for Concrete by the inventors herein and is substantially identical with the exception that on this invention, the control booth is

located on a separate trailer and the water tank is located on the mixer trailer.

Referring to Figs. 5A through 5F, the erection of assembled concrete plant
 5 P is sequentially illustrated. Referring to Fig. 5A, mixer trailer M has been placed.
 Compulsory mixer C with supporting trailer is shown resting on firm ground between rear
 jeep axles 44 and four tandem axles 46. Silo trailer S is shown being backed at rear
 steered silo trailer wheel set W into the spatial interval on mixer trailer M immediately
 below compulsory mixer C. Some observations can be made about silo trailer S in the
 10 vicinity of rear steered silo trailer wheel set W.

First, cantilever beams 14 extend through and to the trailing end of rear
 steered silo trailer wheel set W. Cantilever beams 14 pivot about this point during the
 erection process. Second, and during the backing process, cantilever beams 14 extend to
 female clevis 60 at male clevis 62. Since rear steered silo trailer wheel set W can
 15 minutely alter the steered course of silo trailer S, (radio) coordinated backing of silo
 trailer S can occur in an attempt to align the two trailers properly on the first try.

It will be understood that compulsory mixer C is by far the heaviest single
 item in the transported plant. Therefore, by resting mixer trailer M at mixer trailer pad
 50, the assembled concrete plant P is provided with its foundation. To improve its lateral
 20 stability under certain site conditions, optional outriggers 51 can be provided.

Referring to Fig. 5B, completed backing of silo trailer S into union with
 mixer trailer M has occurred. Female clevis 60 on mixer trailer M has mated to male
 clevis 62 on silo trailer S. In the interest of brevity, the mechanics of this pinned
 connection are not shown. Cantilever beams 14 can pivot silo trailer S from the
 25 illustrated horizontal transport disposition to a vertical erect disposition.

Before leaving Fig. 5B, an additional detail should be noted. Erecting /
 jacking pad 54 has been placed for erection. This has been done by telescopic expansion
 of pad pivot arms 58. This causes jacking pad 54 to swing from the transport position
 illustrated in Fig. 5A to the erecting position illustrated in Fig. 5B.

30 Referring to Fig. 5C, erection of silo trailer S is illustrated. Simply stated,
 silo hydraulic erecting pistons 56 expand between jacking pad 54 and silo pivot point
 connection 62.

It will be remembered that jacking pad 54 is constrained relative to rear
 steered silo trailer wheel set W. Specifically, pad pivot arms 58 connect the rear portion

of rear steered silo trailer wheel set W to jacking pad 54. When pivoted against the weight of compulsory mixer C and mixer trailer M, erection of silo trailer S occurs.

Fig. 5C shows silo trailer S reaching top dead center on cantilever beams 14 overlying compulsory mixer C. If unrestrained pivot occurs from this top dead center position to a seated disposition of silo trailer S on compulsory mixer C, the momentum of silo trailer S generated in such seating could upset or damage silo trailer S. Further, it will be seen that there is nothing holding jacking pad 54 to the ground. In this disposition, jacking pad 54 would rapidly leave the ground following the momentum generated by settling of silo trailer S on compulsory mixer C.

For this reason, opposition and damping cylinders 66 are provided between cantilever beams 14 and compulsory mixer C. These opposition and damping cylinders 66 contact cantilever beams 14 at the top dead center position and provide damped movement of silo trailer S as it comes to rest on compulsory mixer C of mixer trailer M. This position is illustrated in Fig. 5D. The opposition and damping cylinders 66 as well as the silo structural support beam with hydraulic pinning connectors 62, 64 can be disposed to the opposite side of the trailer if it is required that the silo be erected off the opposite side of the mixer trailer. The cushion cylinders 66 can be simply pivoted to the opposite side of the trailer while the silo structural support beam with hydraulic pin connectors (hidden from view) requires manual removal and lifting to the opposite side of the mixer then reconnection. Bolting connections are already provided for relocation on the opposite side of the mixer.

Briefly referring back to Fig. 1A and Fig. 1B, it will be understood that control trailer A is shown occupying the same footprint occupied by silo trailer S in Figs. 5A and 5B during the silo erection process. This being the case, it is necessary to retract jacking pad 54 and its associated silo erecting pistons 56 and pad pivot arms 58. This process is shown in Fig. 5E. It should be noted that the control trailer would be equipped with electrical cords of sufficient length so the control trailer can be towed ahead out of the way of the silo if the silo requires lowering if high wind is forecasted. Obviously, with the longer cord lengths provided, there are alternative control trailer locations that can be chosen by the plant operator.

Referring to Fig. 5E, silo erecting pistons 56 have been partially retracted. At the same time, pad pivot arms 58 have been telescoped to a fore-shortened disposition with the aid of hydraulic winches. Jacking pad 54 moves to a lowered location immediately above aggregate aperture 18 in dust hood H.

Finally, and in Fig. 5F, full retraction of jacking pad 54 is illustrated. In this disposition, aggregate trailer A is shown already in position along with its aggregate elevating conveyor 20 in respect to the aperture of the mixer dust hood. Lowering of aggregate elevating conveyor 20 and placement of the discharging elevated end of aggregate elevating conveyor 20 at aggregate aperture 18 in dust hood H has already
 5 occurred prior to the silo erection. Having described plant erection, plant disassembly for transport can be understood. It occurs in the reverse sequence proceeding from the disposition of Fig. 5F to the disposition illustrated in Fig. 5A.

Referring to Figs. 6A through 6D, the specialized construction of silo
 10 trailer S can be set forth.

First, some comments upon the compartments of silo trailer S. Generally, silo trailer S has three vertical compartments. Referring to Fig. 6A-6D, cement silo section 70, and fly ash silo section 72 are illustrated. Referring to Fig. 6B, fly ash silo section 72 and slag silo section 74 are illustrated. The slag and fly ash compartments can
 15 be used for all fly ash, all slag or all cement and any combination of this.

Secondly, a comment must be made about the overall 900 barrel capacity of silo trailer S. It will be remembered that silo trailer S is loaded from cement and cement additive hauling guppy trailers G by pneumatic conveyance through conduits (not shown). These conduits connect to silo fill pipes 75 at fill pipe connections 78 and
 20 pneumatically transport the air entrained cement and cement additives to fill pipe discharge 80 at the top of silo trailer S. When such discharge occurs, aeration of the cement and cement substitutes is a major concern. To this end, and as part of dust collection system D there is provided bag house (also know as a bin vent) 85 at the top of silo trailer S. This bag house 85 communicates with the top of cement silo section 70, fly
 25 ash silo section 72, and slag silo section 74. In practice, about 200 hundred barrels of cement, fly ash and slag at the bottom of the silo will be settled. The remain 700 barrels of silo capacity will have cement, fly ash, and slag undergoing de-aeration, this de-aeration occurring under natural gravitational classification. De-aerated cement flows faster than aerated cement resulting in more rapid weighing, which is desirable. Resultant
 30 dust will be collected at bag house 85 before atmospheric discharge. It will be noted that bag house 85 is a convenient point to attach fifth wheel connection 90 for hauling of silo trailer S.

This plant relies on the gravity discharge of the cement and cement additives. This reliance assures accurate and rapid measurement of cement and cement

substitutes with the very few moving parts. Moreover, the cement and cement substitutes are required to be added in precise job specification percentile ranges. Further, and because of the relative high volume of the assembled concrete plant P, weighing of the respective batches must be simultaneous and not serial. Moreover, some states are even specifying that cumulative weighing of cement and fly ash is not allowed. Accordingly, cement silo section 70, fly ash silo section 72, and slag silo section 74 is provided with conventional butterfly valve and pant leg outlets 100 with aeration. Cement silo section 70 empties through two conventional butterfly valve and pant leg outlets 100 to cement weigh hopper 102. Likewise, fly ash silo section 72 empties through its own conventional butterfly valve and pant leg outlet 100 into fly ash and slag weigh hopper 104. It can be understood by the reader that by varying the open duty cycle of conventional butterfly valve and pant leg outlets 100 for fly ash silo section 72 and slag silo section 74, the percentage and amount of cement and cement substitutes can be precisely controlled.

Each of the cement weigh hopper 102 and fly ash and slag weigh hopper 104 is independently suspended on load cells. Thus, gravitational feed from silo trailer S and cement silo section 70, fly ash silo section 72, and slag silo section 74 occurs in parallel.

The cement weigh hopper 102 and fly ash and slag weigh hopper 104 is again provided with bottom discharge butterfly valve 110. These respective bottom butterfly valves 110 empty into dust hood H and thence to compulsory mixer C. It will be understood that through the described gravitational feed, cement and cement substitutes can be rapidly dispensed without the need to rely on slower cumulative weighing of all the cementitious materials into a single weigh hopper.

There remains to be explained the dust mitigation resulting from operation of assembled concrete plant P, especially at silo trailer S.

First, and regarding initial discharge from cement silo section 70, fly ash silo section 72, and slag silo section 74 into cement weigh hopper 102 and fly ash and slag weigh hopper 104, it will be understood that this path is contained.

Operation of two connected filters 115 to the cement weigh hopper 102 and fly ash and slag weigh hopper 104 can now be explained. Simply stated, when cement weigh hopper 102 and fly ash and slag weigh hopper 104 are filled, air will be displaced by the cementitious material and dust will rise through breathing apertures 115 and be removed by the filters 118. Displaced air (without dust) only will be communicated to atmosphere. When cement weigh hopper 102 and fly ash and slag

weigh hopper 104 are emptied, a vacuum is created. Outside air enters through the filters 118 and into the respective cement weigh hopper 102 and fly ash and slag weigh hopper 104 purging the filters of dust. Thus, it is seen that filters 115 form a simplified dust collection system.

5 Unfortunately, and because of the need to add aggregate, the removal of dust from under dust hood H is not as simple.

 It will be remembered that dust hood H requires aggregate aperture 18 for the entry of aggregate. If dust hood H is not adequately ventilated under a negative pressure to a dust collection system, aggregate aperture 18 could be a substantial source
10 of dust exhausting into the atmosphere. This evacuation of dust from the dust hood H under negative atmospheric pressure will now be explained.

 Specifically, and referring to Fig. 6B, it will be seen that dust hood H is provided with dust collection plenum 120. Dust collection plenum 120 in turn communicates through vertical dust conduit 122 from dust collection plenum 120 to dust
15 removal system 124 at dust collection system D on top of silo trailer S. This dust removal system 124 is convention with removal of the accumulated dust to the fly ash silo section 72.

 It will be appreciated that vertical dust conduit 122 itself assists in the dust particle separation. Specifically, and due to the long vertical flow path against gravity,
20 dust particles will settle against the airflow. Thus, at dust removal system 124 on removal of air entrained fines will occur.

 Brief attention is directed to Fig. 7. In this view a typical silo pivot point connection 64 from mixer trailer M connects to female clevis 62 at the end of cantilever beam 14. It can be seen that silo pivot point connection 64 is actuated at a hydraulic
25 cylinder for keying to female clevis 64. This typical detail is repeated on both sides of mixer M.

 With further brief attention directed to Fig. 8, it will be remembered from Fig. 6D that weigh hoppers 102, 104 are independently suspended on load cells 110 (See Figs 6D and 8). During transport, it is necessary to clamp weigh hoppers 102, 104 so that
30 damage to load cells 110 does not occur. This is done at bolt 108.

 Referring to Fig. 9, a mixer trailer M is shown. This trailer includes tank T, pad 50, transporting wheels 44 on jeep J and trailing rear wheels 146. It will be noticed that two significant changes have been made as an alternative arrangement for the

previously disclosed mixer trailer. First, convey B is missing. Second, hydraulic columns L_1 through L_4 have been added. As viewed in Fig. 9, only hydraulic columns L_1 and L_2 are shown. It will also be seen that the hydraulic columns include female clevis 60.

5 Erection of silo trailer S is conventional as set forth in Figs. 5A - 5F with the exception that connection of aggregate conveyor 20 is delayed. Silo trailer S ends in the erect position on top of compulsory mixer C.

 Thereafter, hydraulic columns L_1 through L_4 are raised and locked as raised to maintain compulsory mixer C and supported silo trailer S in an elevated position. This can be seen in Fig. 10. Elevation produces two results.

10 First, truck T can freely pass under the discharge of compulsory mixer C. Second, wheel set W of silo trailer S ends up suspended in an elevated position along side the cement silo where the wheel set W is essentially completely removed from the footprint of the portable plant.

 It will be understood that the length and elevation of aggregate convey 20 must be increased. At the same time, aggregate trailer A can be placed at differing angles with respect to aggregate conveyor 20. For example, by inserting one or more intermediate and small conveyors between the discharge of aggregate trailer A and aggregate conveyor 20, the aggregate trailer can be optimally aligned to give the portable plant a variety of footprints. (See Figs. 12A and 12B).

20

THE EMBODIMENTS OF THE INVENTION IN WHICH AN EXCLUSIVE PROPERTY OR PRIVILEGE IS CLAIMED ARE DEFINED AS FOLLOWS:

1. A process of erecting a high volume portable concrete plant on a plant site comprising the steps of:

5 providing a first trailer having a transporting wheel set at one end, a point for towing attachment at the other end, and supporting a compulsory mixer between the wheel set and point for towing attachment;

10 positioning the first trailer on the plant site to support the compulsory mixer on the plant site;

providing a second trailer having a transporting wheel set at one end, a point for towing attachment at the other end, and a cement silo supported in a horizontal transport position between the point for towing attachment and the wheel set;

15 placing the cement silo on the compulsory mixer from the horizontal transport disposition to an erected position overlying the compulsory mixer; and

elevating the compulsory mixer and supported cement silo to enable discharge of mixed concrete to a transporting vehicle under the compulsory mixer.

2. The process of erecting a high volume portable concrete plant on a plant site according to claim 1 including the steps of:

20 providing a cantilever pivot for attachment to the cement silo at one end and pivotal attachment to the second trailer at the transporting wheel set to enable the cement silo to pivot from the horizontal transport position to an erect disposition overlying the compulsory mixer;

25 positioning the second trailer relative to the first trailer with the transporting wheel set adjacent the compulsory mixer; and

pivoting the cement silo trailer to overlie the compulsory mixer before the elevating step.

30 3. The process of erecting a high volume portable concrete plant on a plant site according to claim 1 where the positioning the first trailer on the plant site to support the compulsory mixer on the plant site includes:

the pivoting the cement silo relative to the compulsory mixer includes pivoting the second trailer from a horizontal disposition to a vertical disposition overlying the compulsory mixer.

5 4. A process of erecting a high volume portable concrete plant on a plant site comprising the steps of:

 providing a first trailer having a transporting wheel set at one end, a point for towing attachment at the other end, and supporting a compulsory mixer between the wheel set and point for towing attachment with one side of the compulsory mixer
10 exposed to a side edge of the first trailer;

 positioning the first trailer on the plant site to support the compulsory mixer on the plant site;

 providing a second trailer having a steering transporting wheel set at one end, a point for towing attachment at the other end, and a cement silo supported in a horizontal
15 transport position between the point for towing attachment and the wheel set;

 providing a cantilever pivot for attachment to the cement silo at one end and pivotal attachment to the second trailer at the steering transporting wheel set to enable the cement silo to pivot from the horizontal transport position to an erect disposition overlying the compulsory mixer;

20 positioning the second trailer at the steering transporting wheel set adjacent the compulsory mixer at the one side of the compulsory mixer by backing and steering the steering transporting wheel set;

 pivoting the cement silo relative to the compulsory mixer on the cantilever support from the steering transporting wheel set of second trailer to move the silo from
25 the horizontal transport disposition to the erected position overlying the compulsory mixer; and

 elevating the compulsory mixer after the pivoting of the cement silo step whereby the compulsory mixer and cement silo are elevated together.

30 5. A process of erecting a high volume portable concrete plant on a plant site according to claim 4 comprising the steps of:

 elevating the compulsory mixer and cement silo a sufficient distance to enable a mixed cement transporting vehicle to pass under and receive mixed concrete from the compulsory mixer.

6. A high volume portable concrete batching and mixing plant on a plant site comprising:

5 a first trailer having a transporting wheel set at one end, a point for towing attachment at the other end, and supporting a compulsory mixer between the wheel set and point for towing attachment;

the first trailer placed on the plant site to support the compulsory mixer on the plant site;

10 a second trailer having a transporting wheel set at one end, a point for towing attachment at the other end, and a cement silo supported in a horizontal transport position between the point of towing attachment and the wheel set;

the cement silo defining a hood for extending over the compulsory mixer, the hood enclosing a manifold for discharging water into the compulsory mixer;

15 a cantilever pivot for attachment to the cement silo at one end and pivotal attachment to the first trailer at the other end to enable the cement silo to pivot from the horizontal transport position adjacent the compulsory mixer to an erect disposition overlying the compulsory mixer;

the cantilever pivot attached between the cement silo and first trailer;

the cement silo and second trailer overlying and supported relative to the compulsory mixer; and

20 means for elevating the compulsory mixer whereby the cement silo is also elevated and a vehicle for receiving concrete can pass under the compulsory mixer for direct discharge from the compulsory mixer of mixed concrete.

7. A process of erecting a high volume portable concrete plant on a plant site comprising the steps of:

25 providing a first trailer having a transporting wheel set at one end, a point for towing attachment at the other end, and supporting a compulsory mixer between the wheel set and point for towing attachment;

positioning the first trailer on the plant site to support the compulsory mixer on the plant site;

30 providing a second trailer having a transporting wheel set at one end, a point for towing attachment at the other end, and a cement silo supported in a horizontal

transport position between the point for towing attachment and the wheel set;

placing the cement silo on the compulsory mixer from the horizontal transport disposition to the erected position overlying the compulsory mixer.

8. The process of erecting a high volume portable concrete plant on a
5 plant site according to claim 7 comprising the further steps of:

placing the cement silo on the compulsory mixer and then;
raising the compulsory mixer.

9. The process of erecting a high volume portable concrete plant on a
plant site according to claim 7 comprising the further steps of:

10 placing the cement silo on the compulsory mixer whereby the cement silo is
supported by the compulsory mixer.

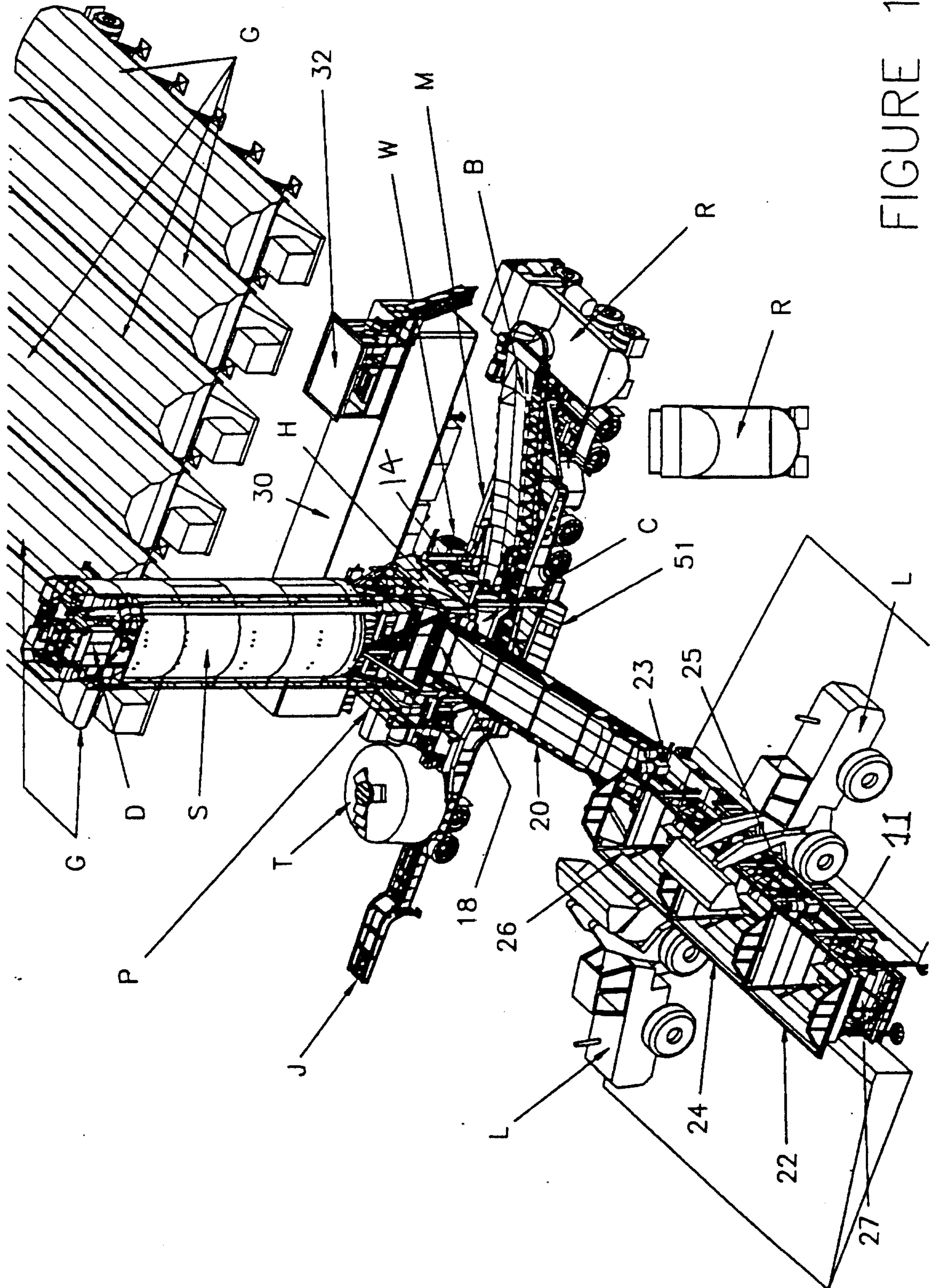
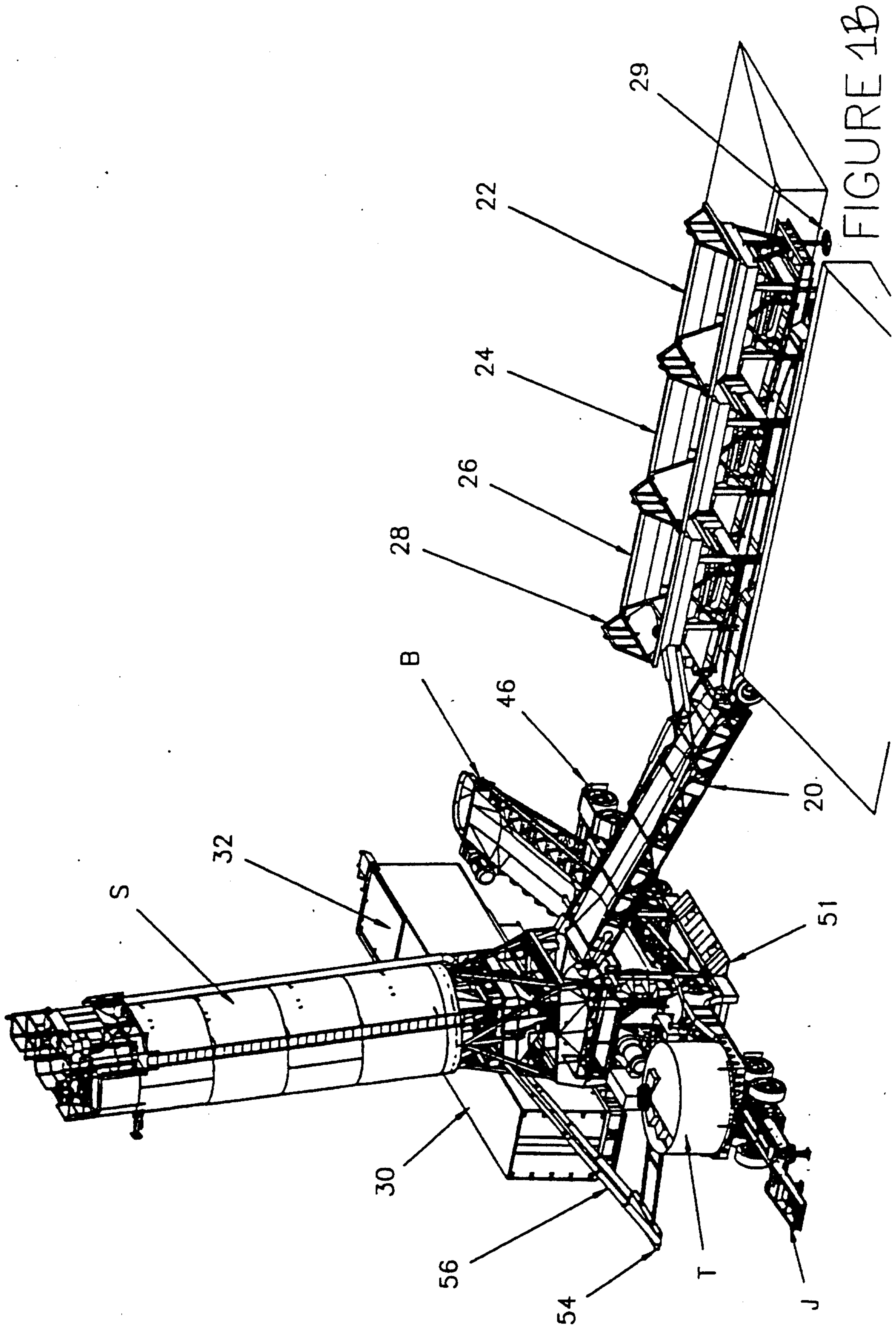


FIGURE 1A



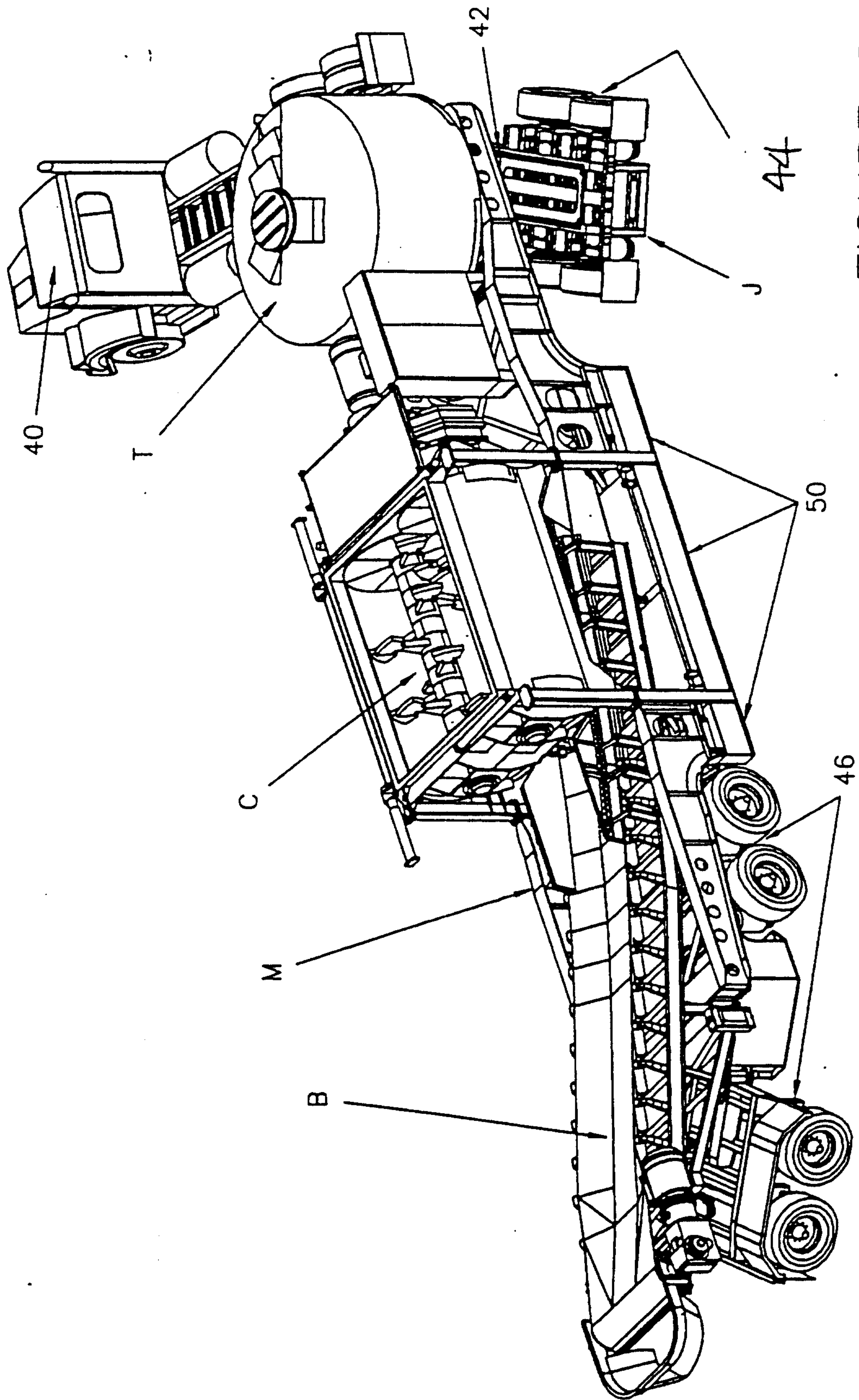


FIGURE 2

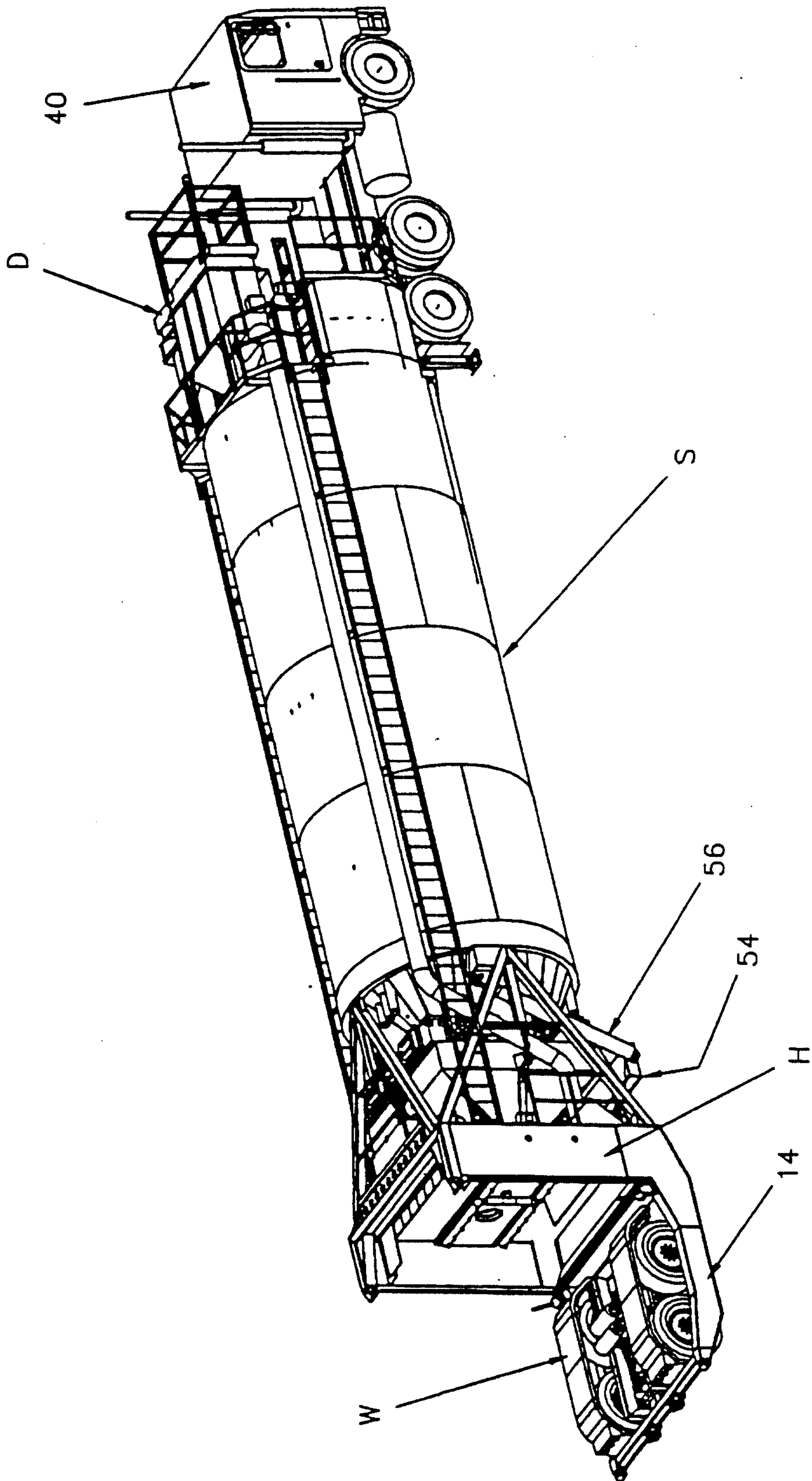


FIGURE 3

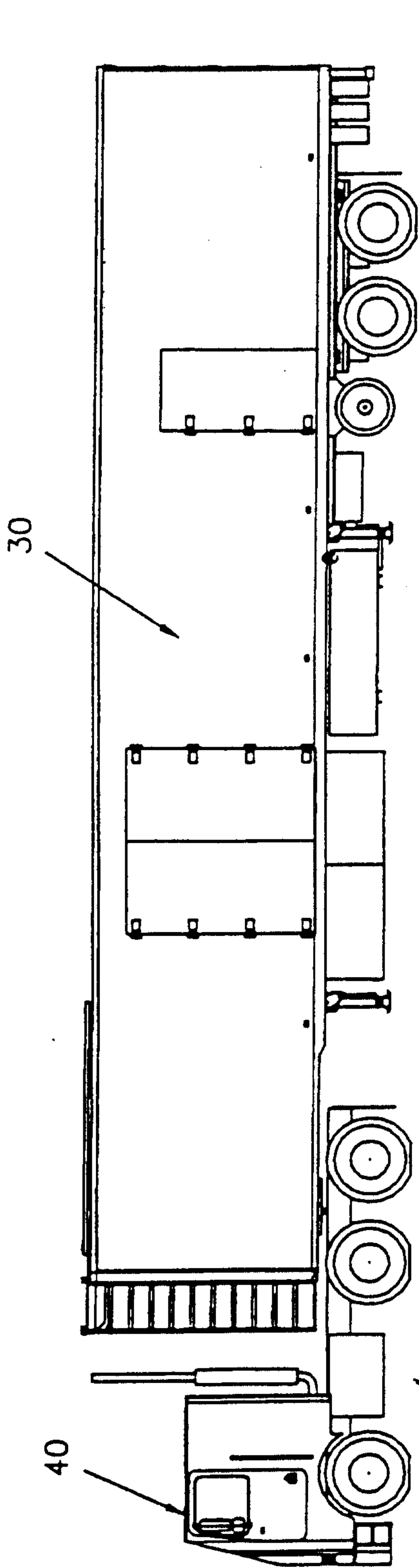


Fig 4A

TRANSPORT CONFIGURATION

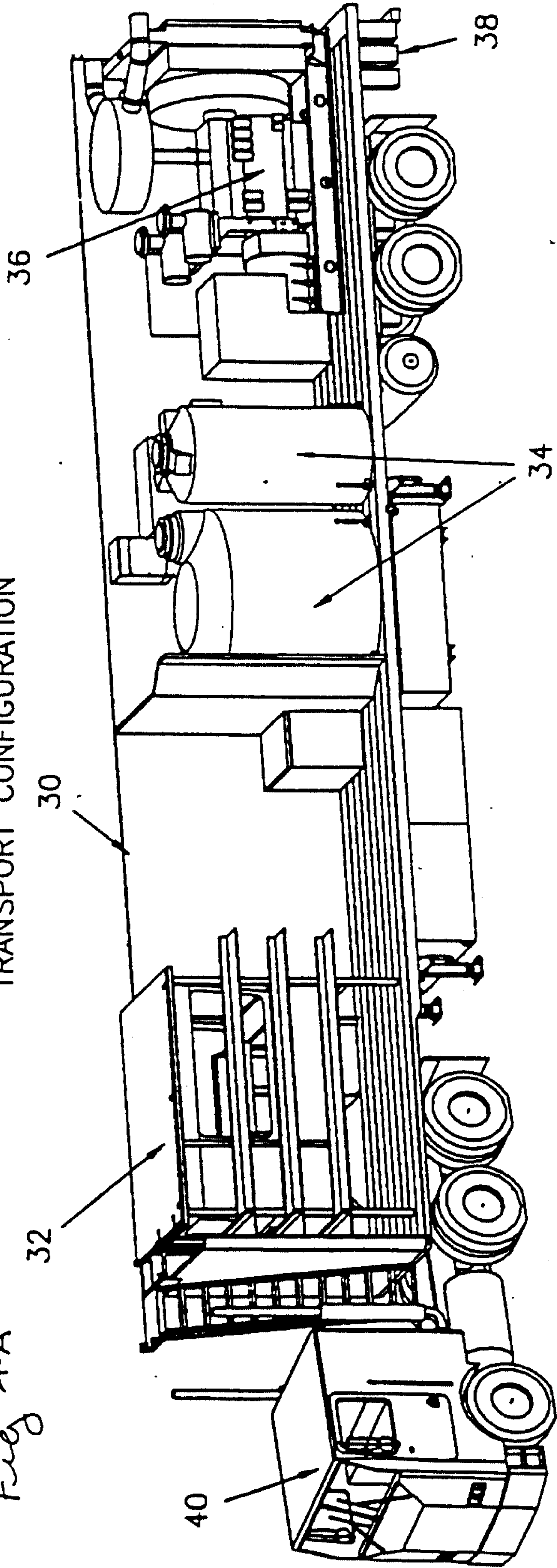


Fig 4B

TRAILER CONTENT SHOWN

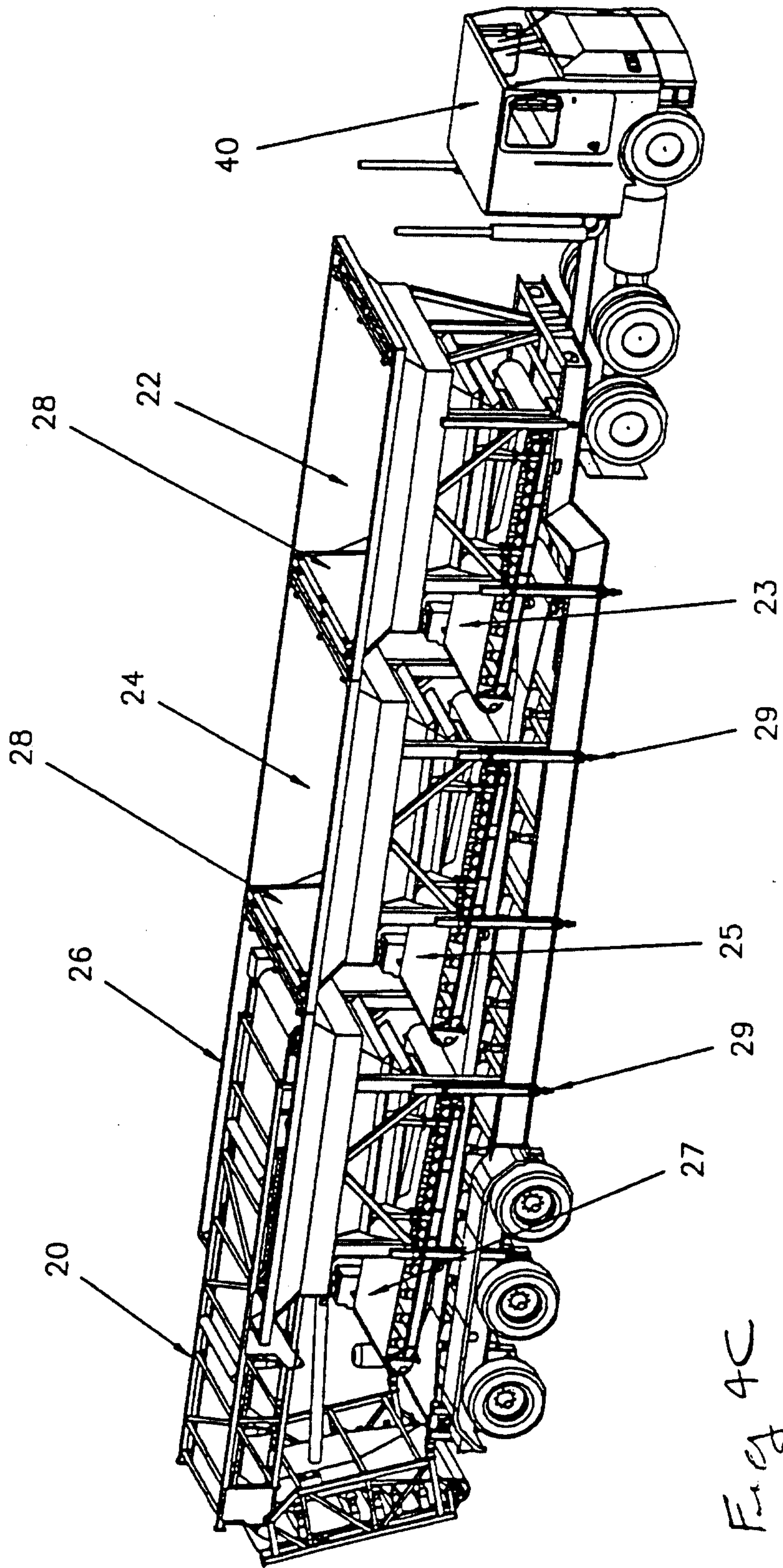


Fig 4C

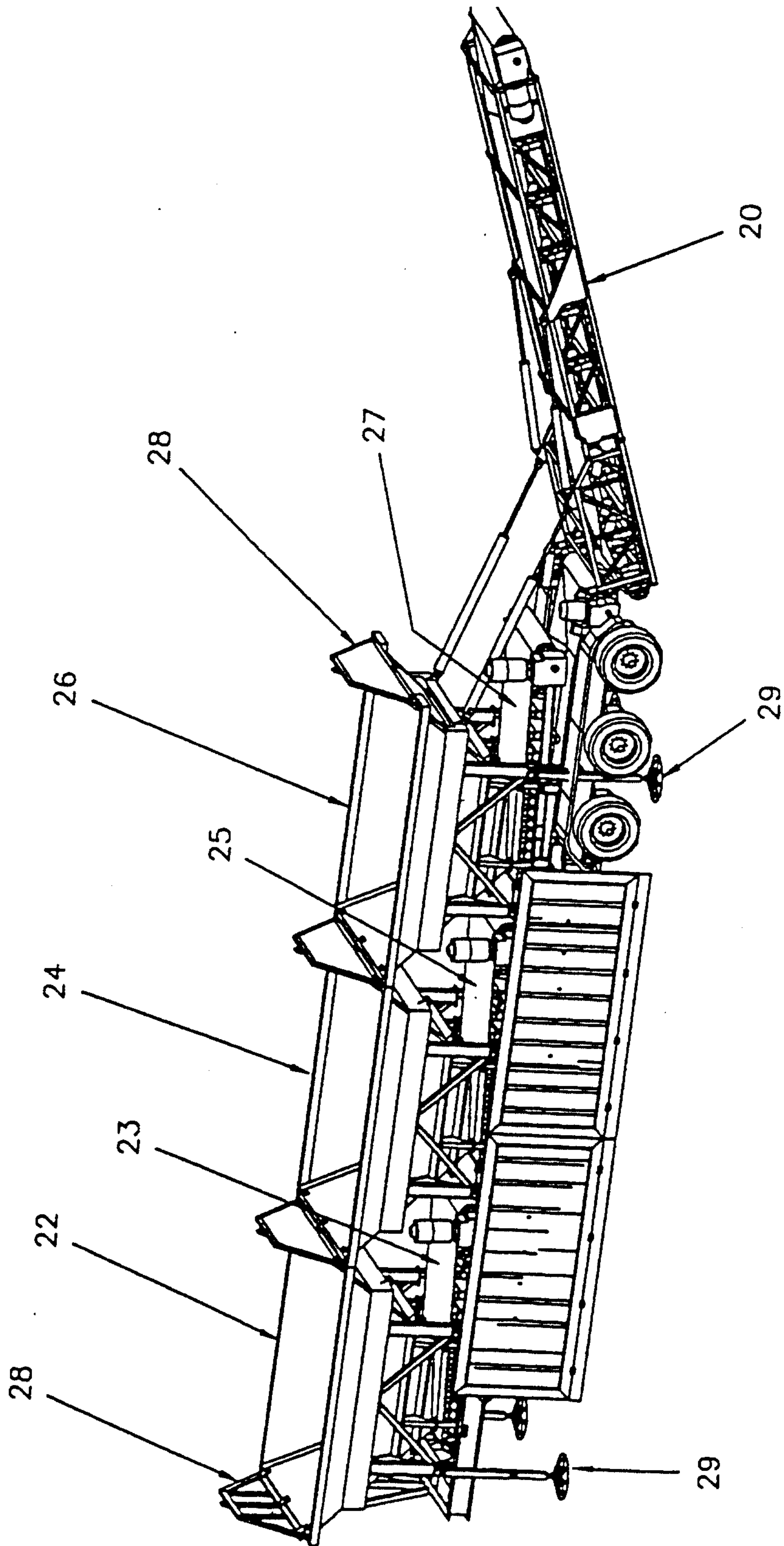


Fig 4D

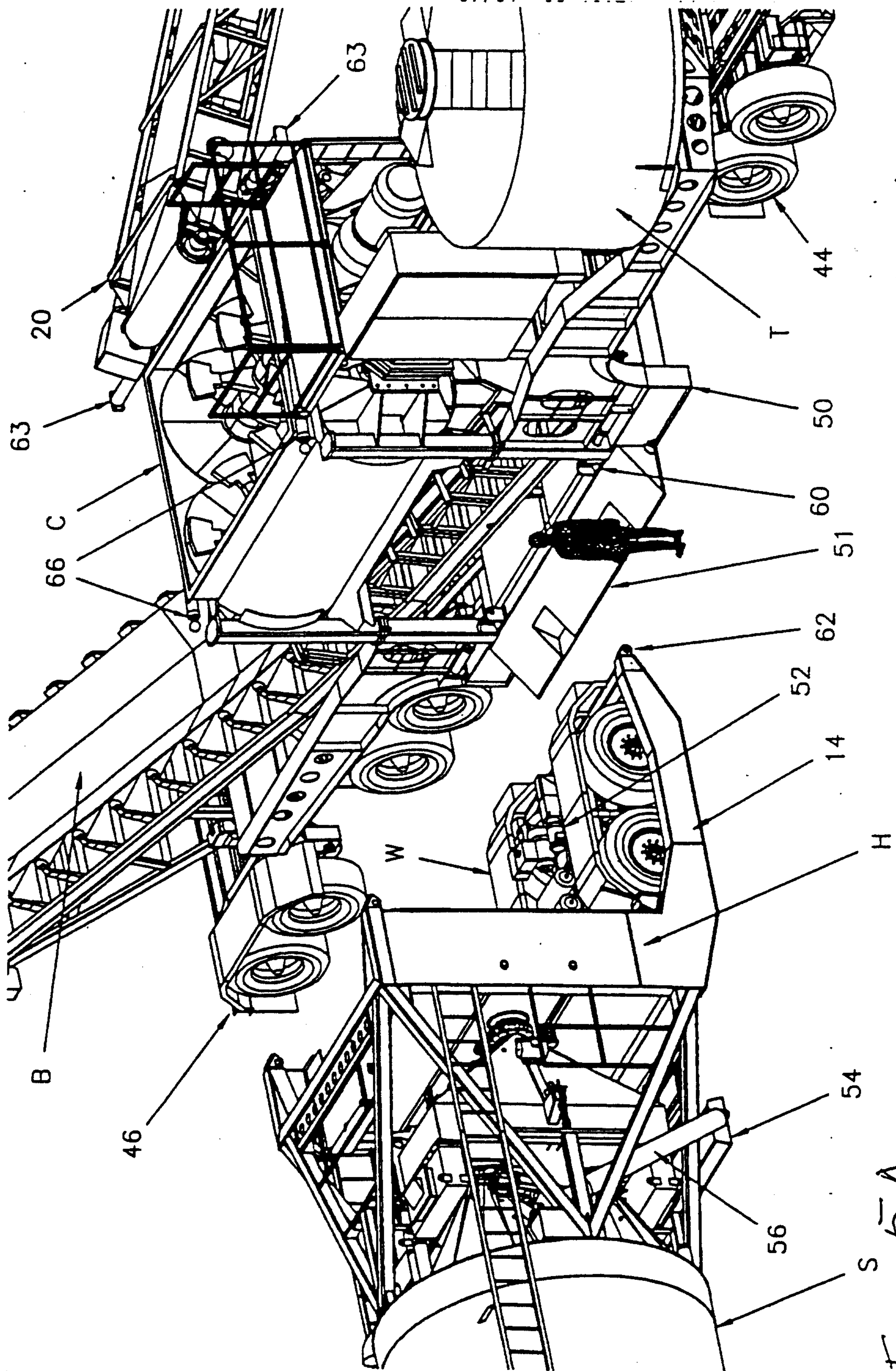


Fig 5A

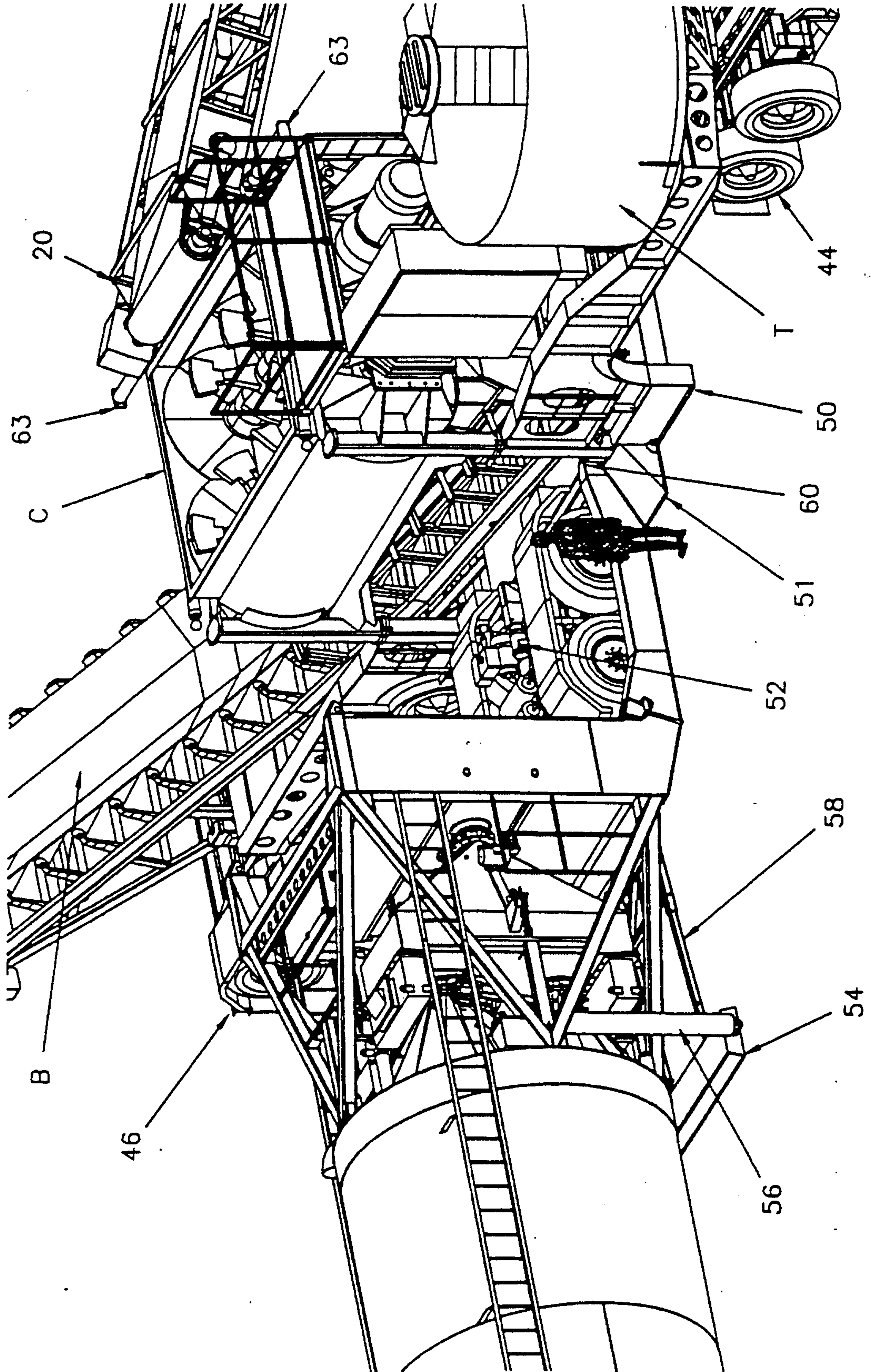


Fig 5B

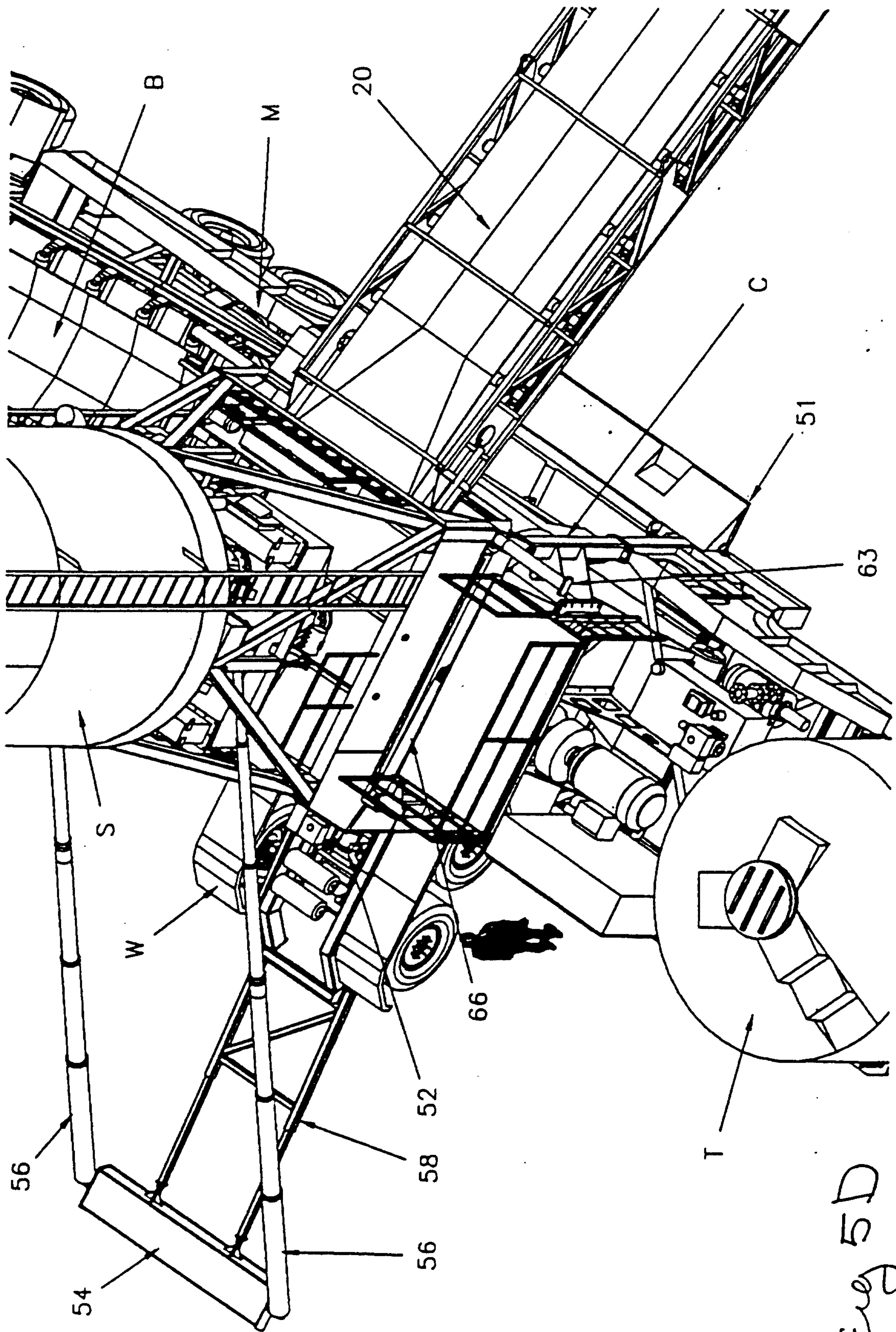
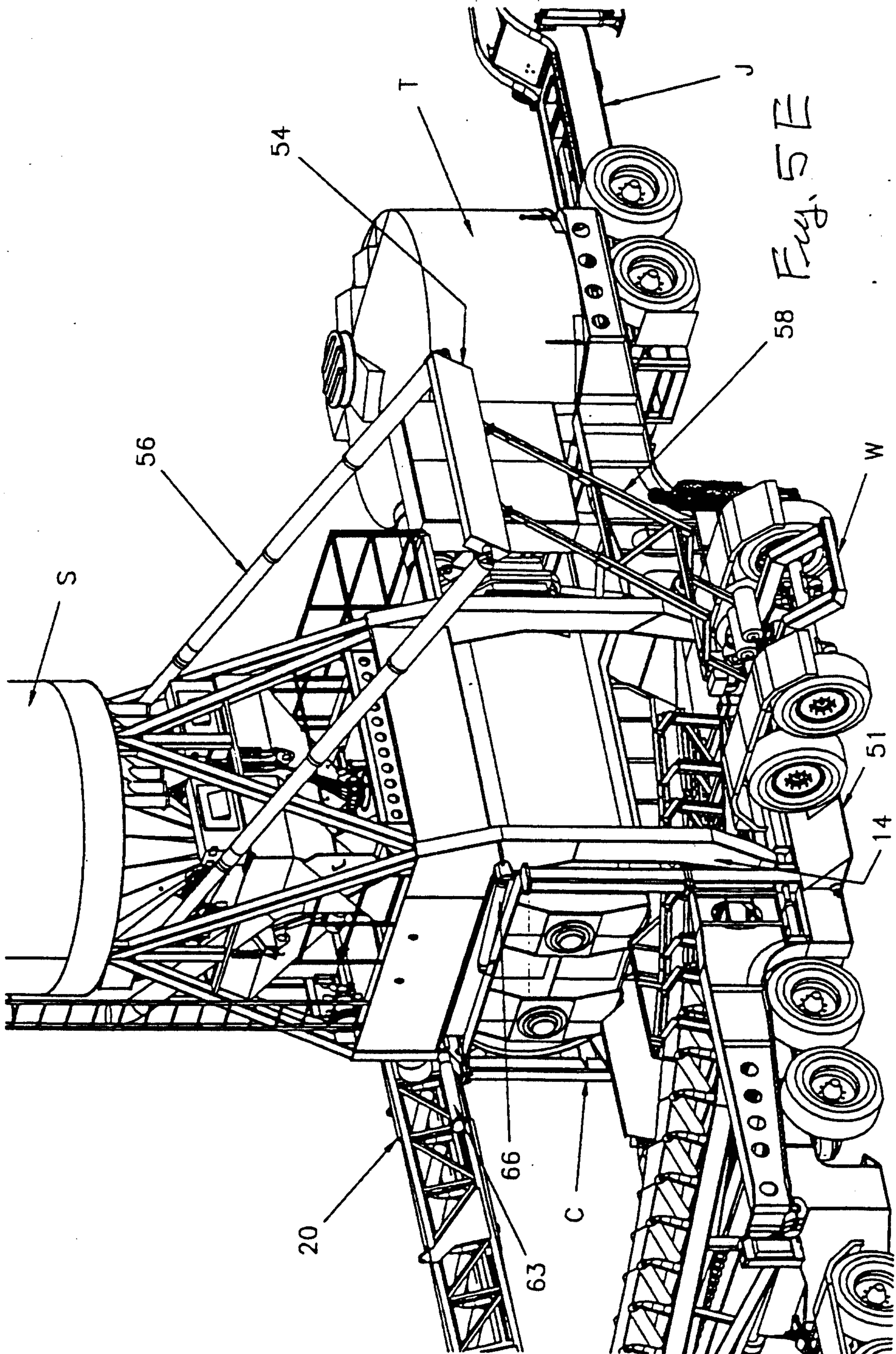


Fig 5D
Page



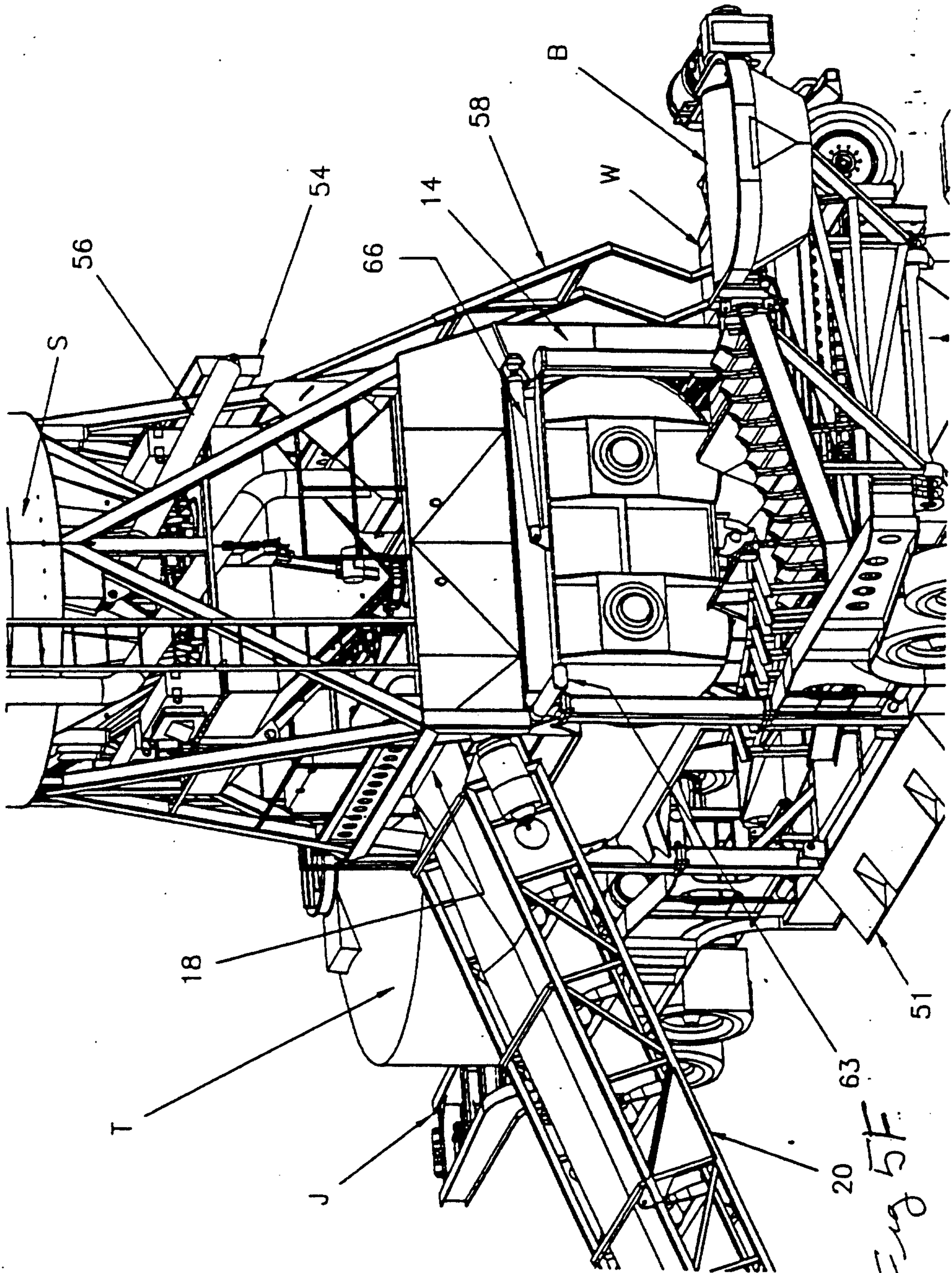


Fig 5F

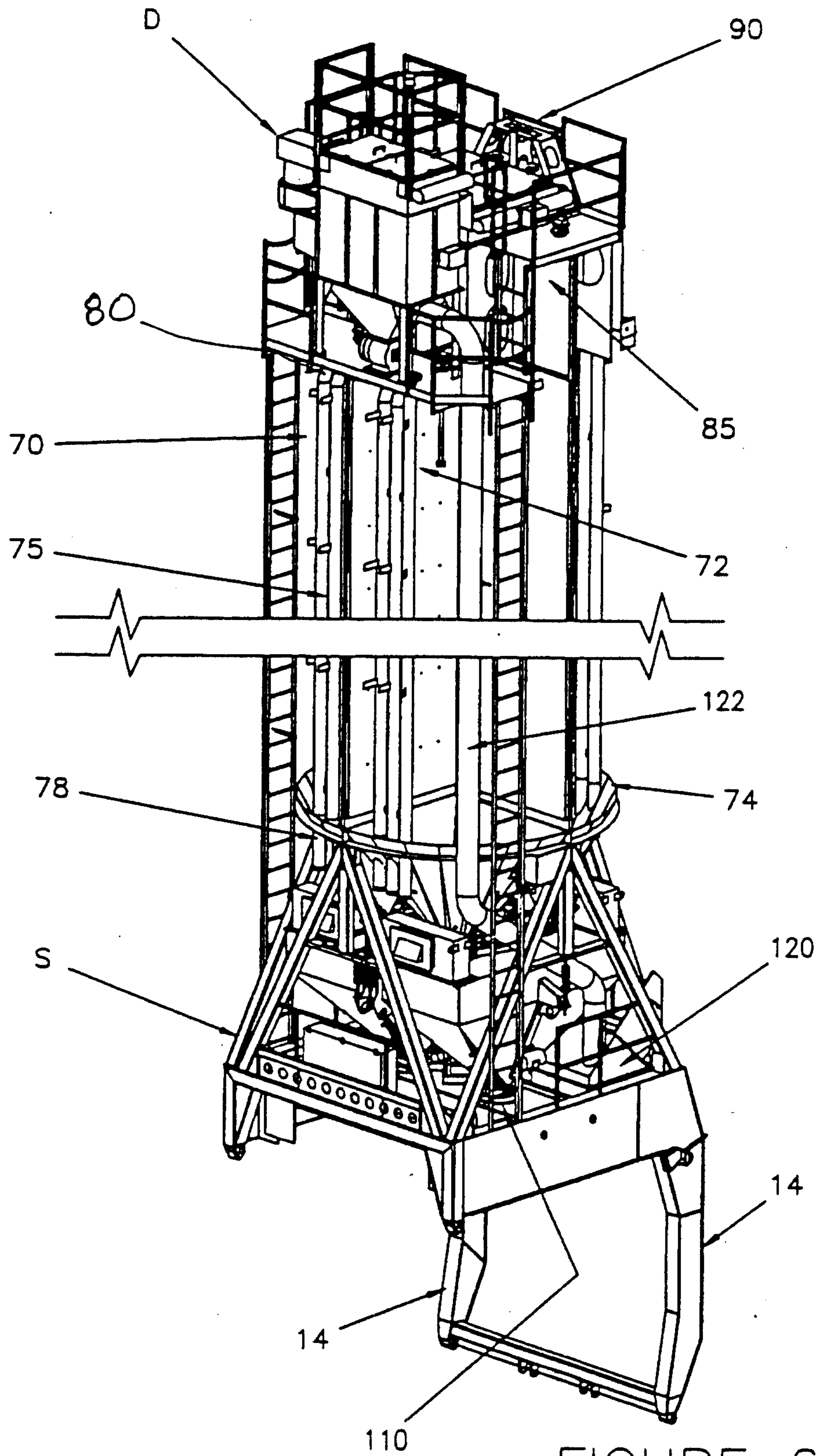


FIGURE 6A

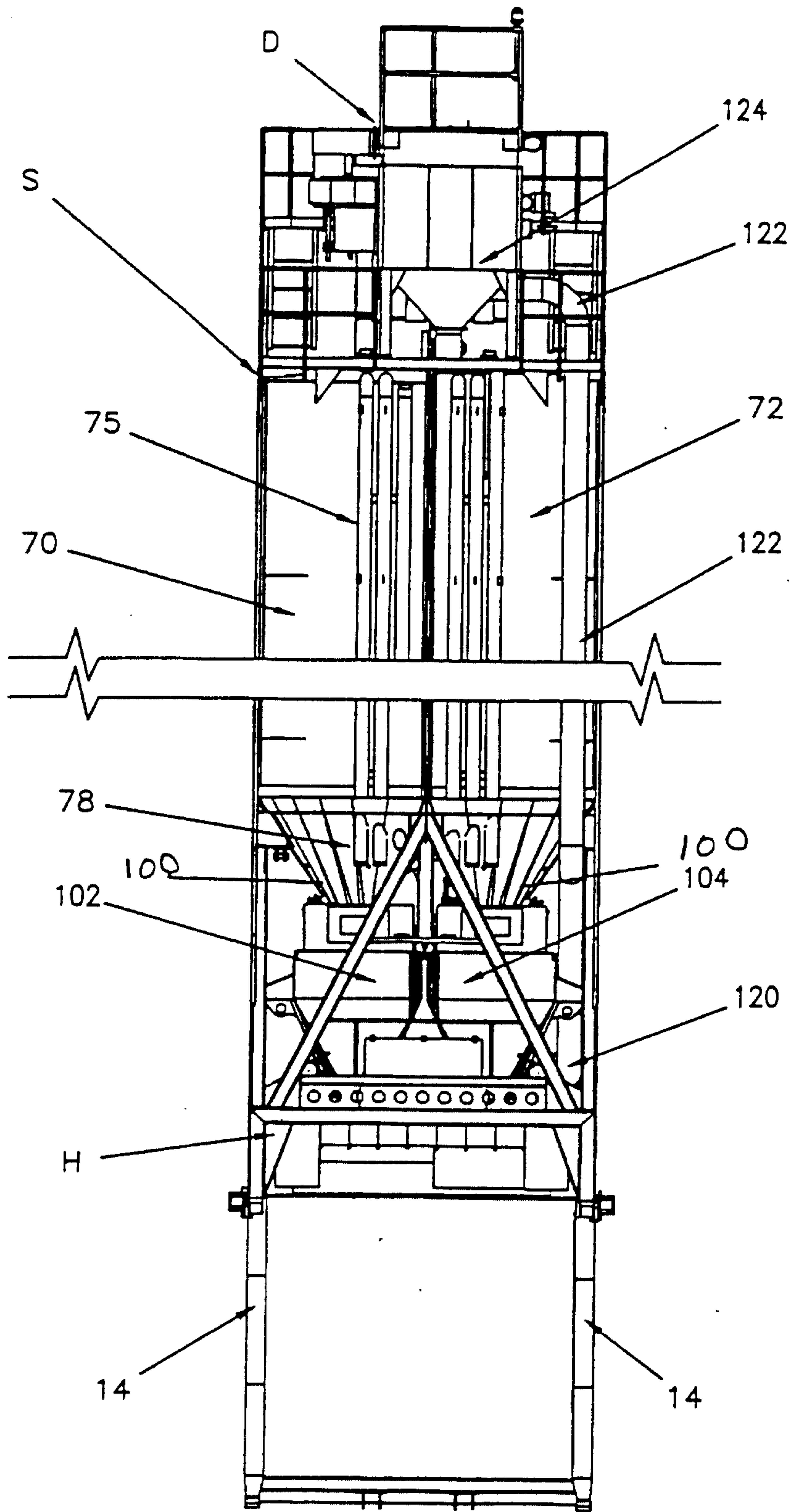


FIGURE 6B

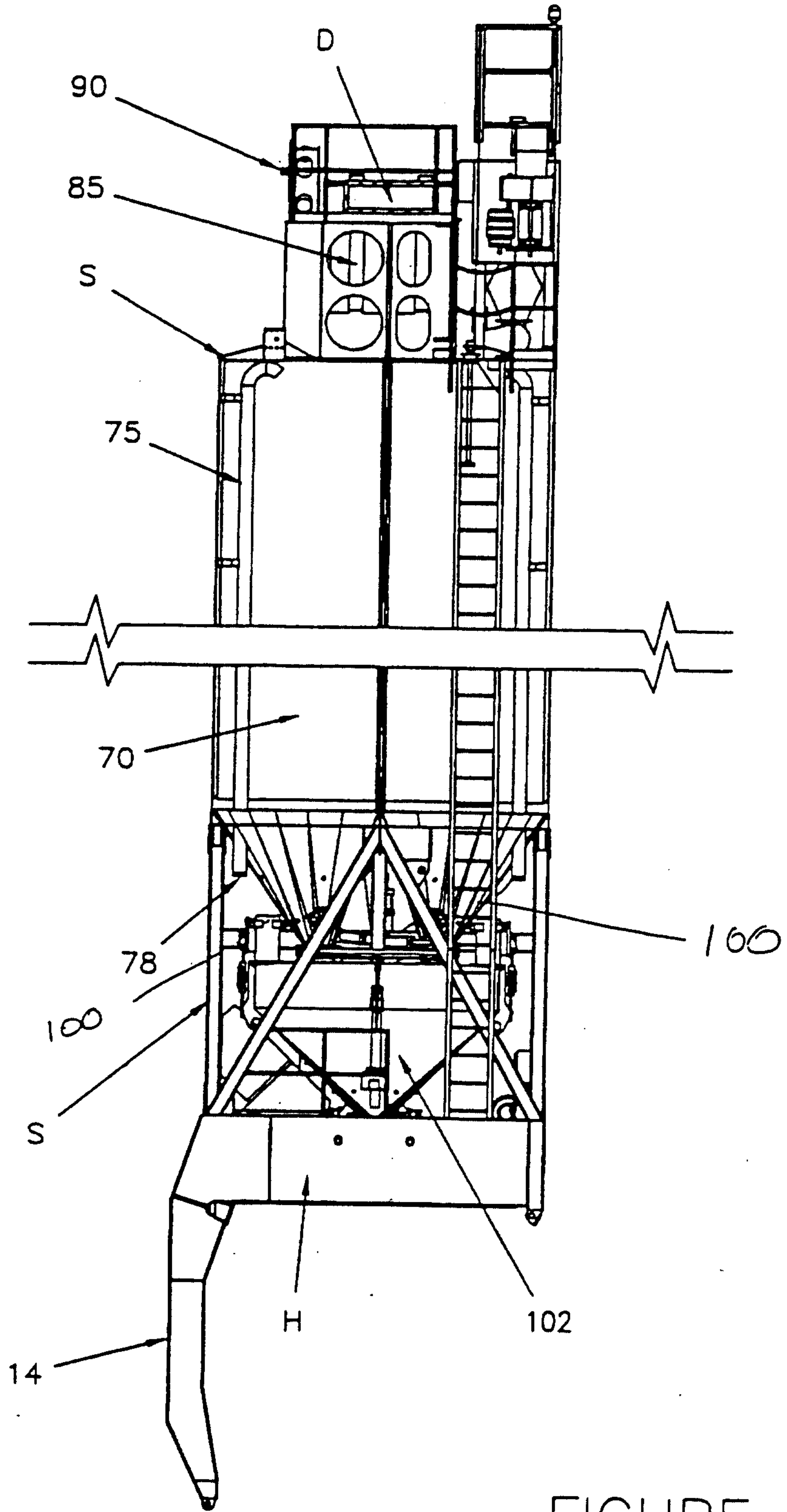


FIGURE 6C

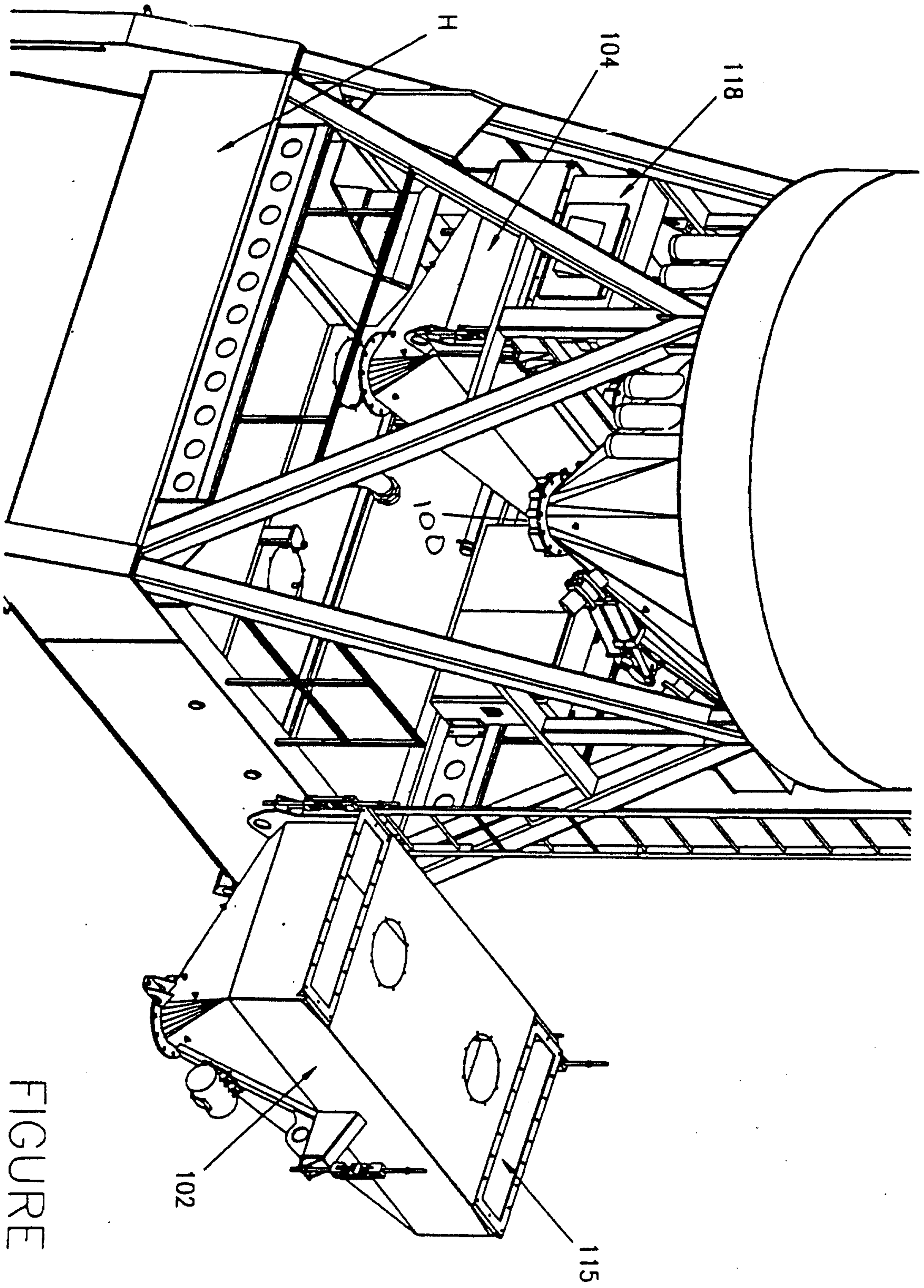


FIGURE 6D

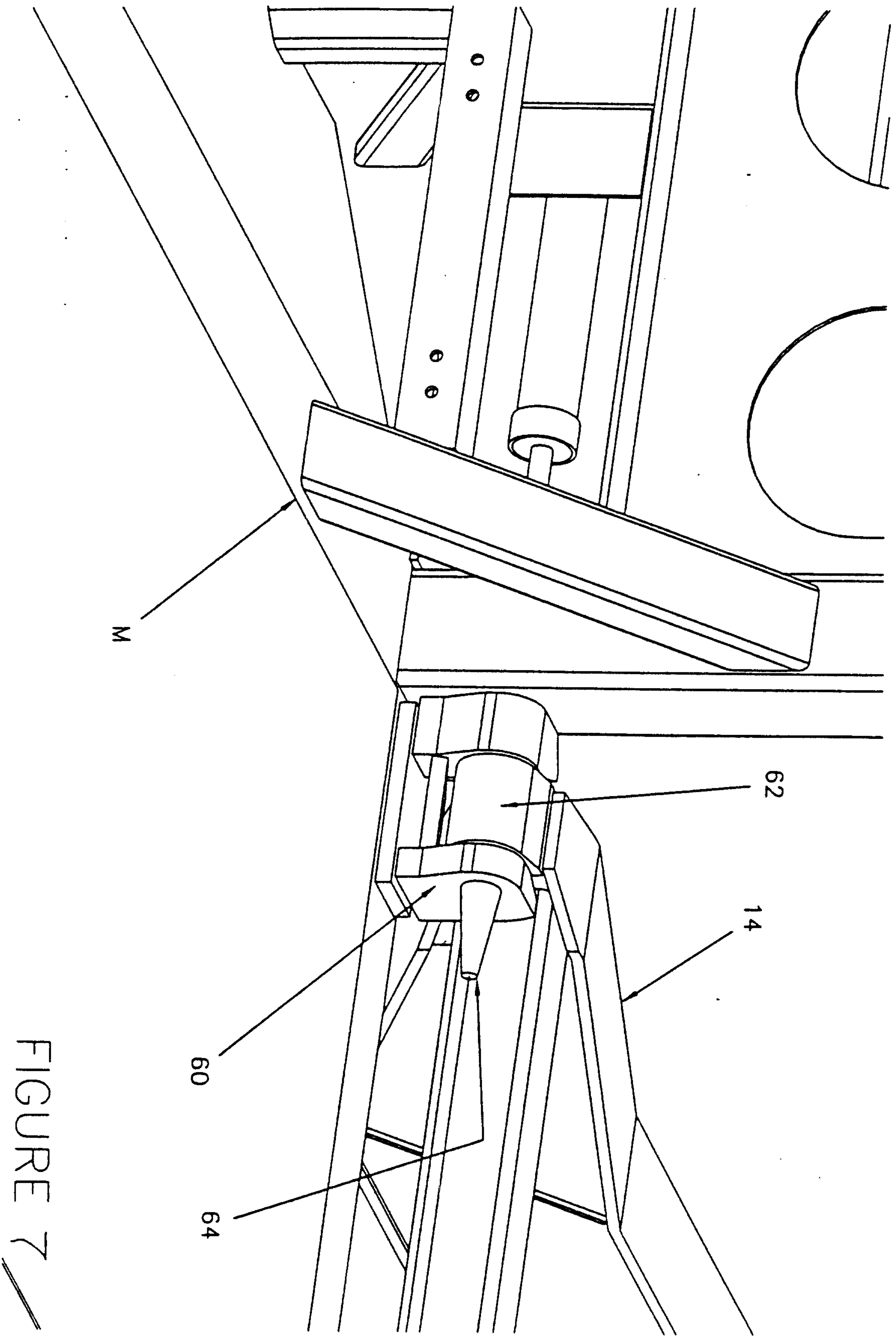


FIGURE 7

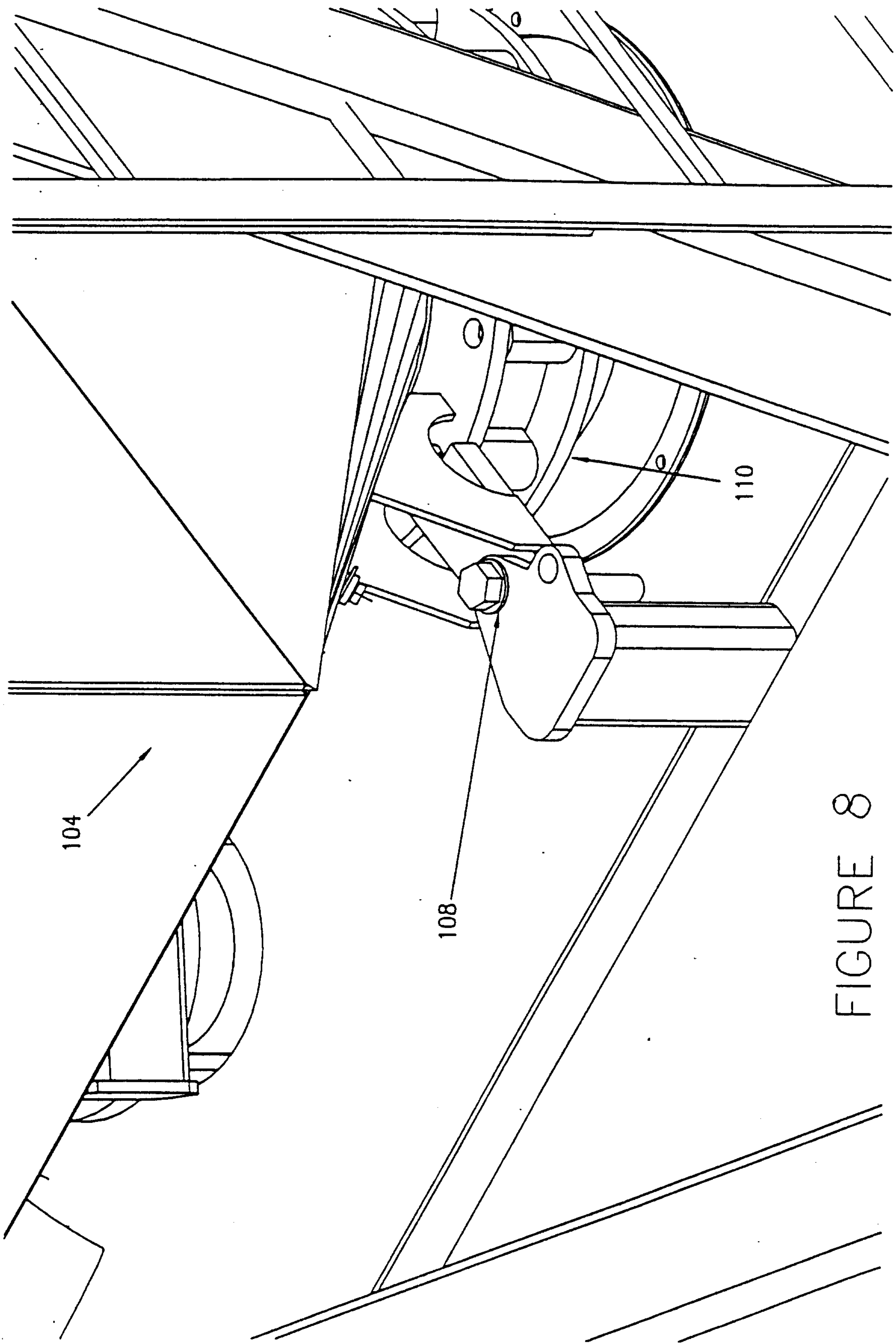


FIGURE 8

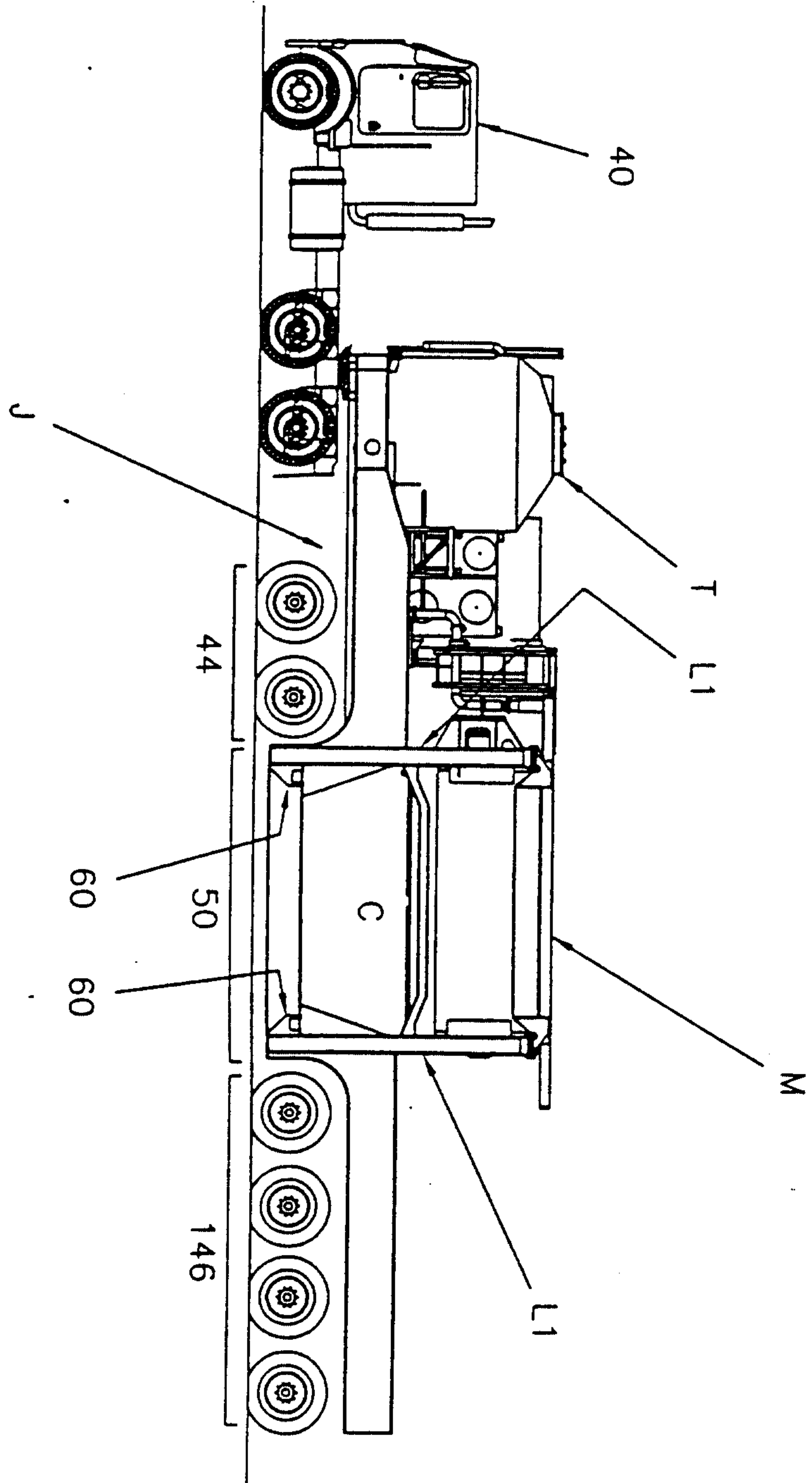


FIGURE 9

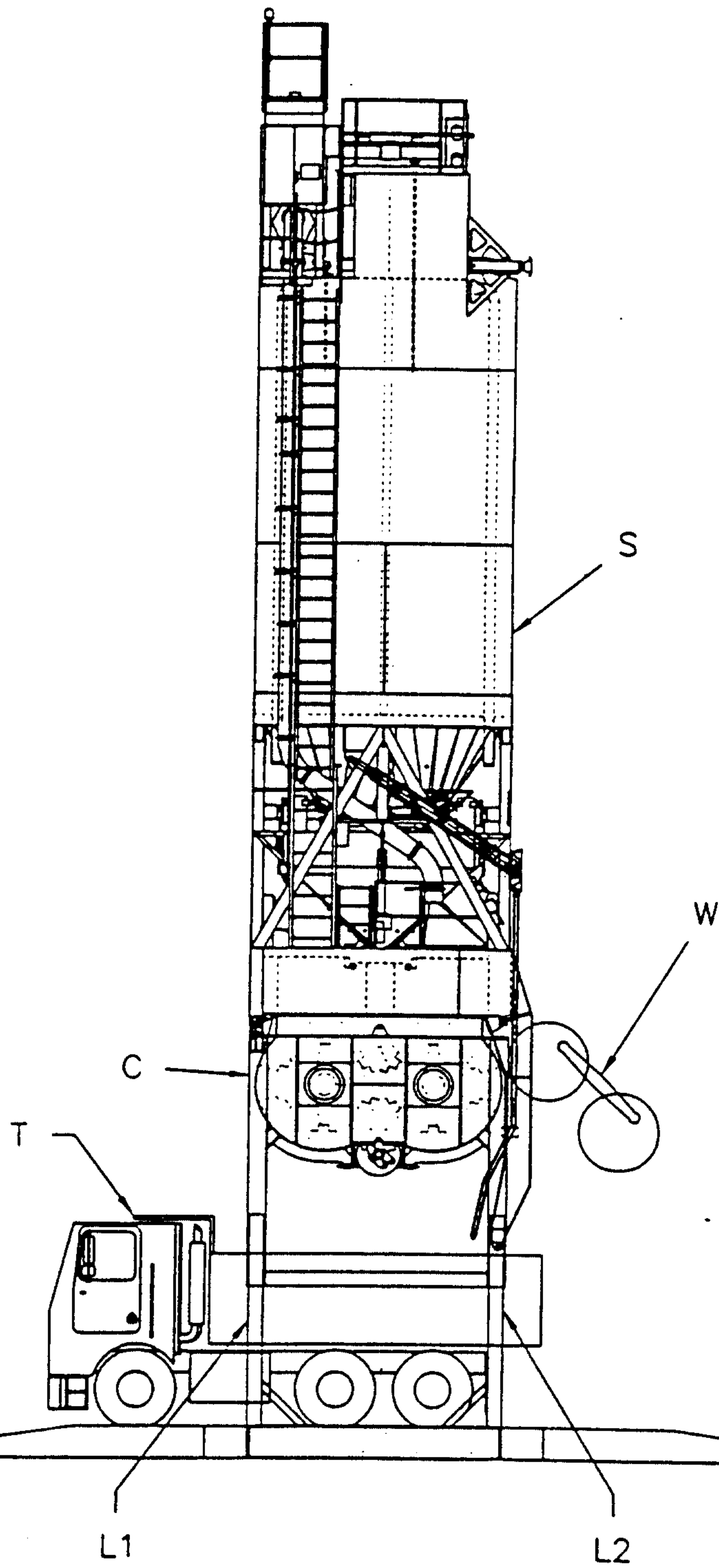


FIGURE 10

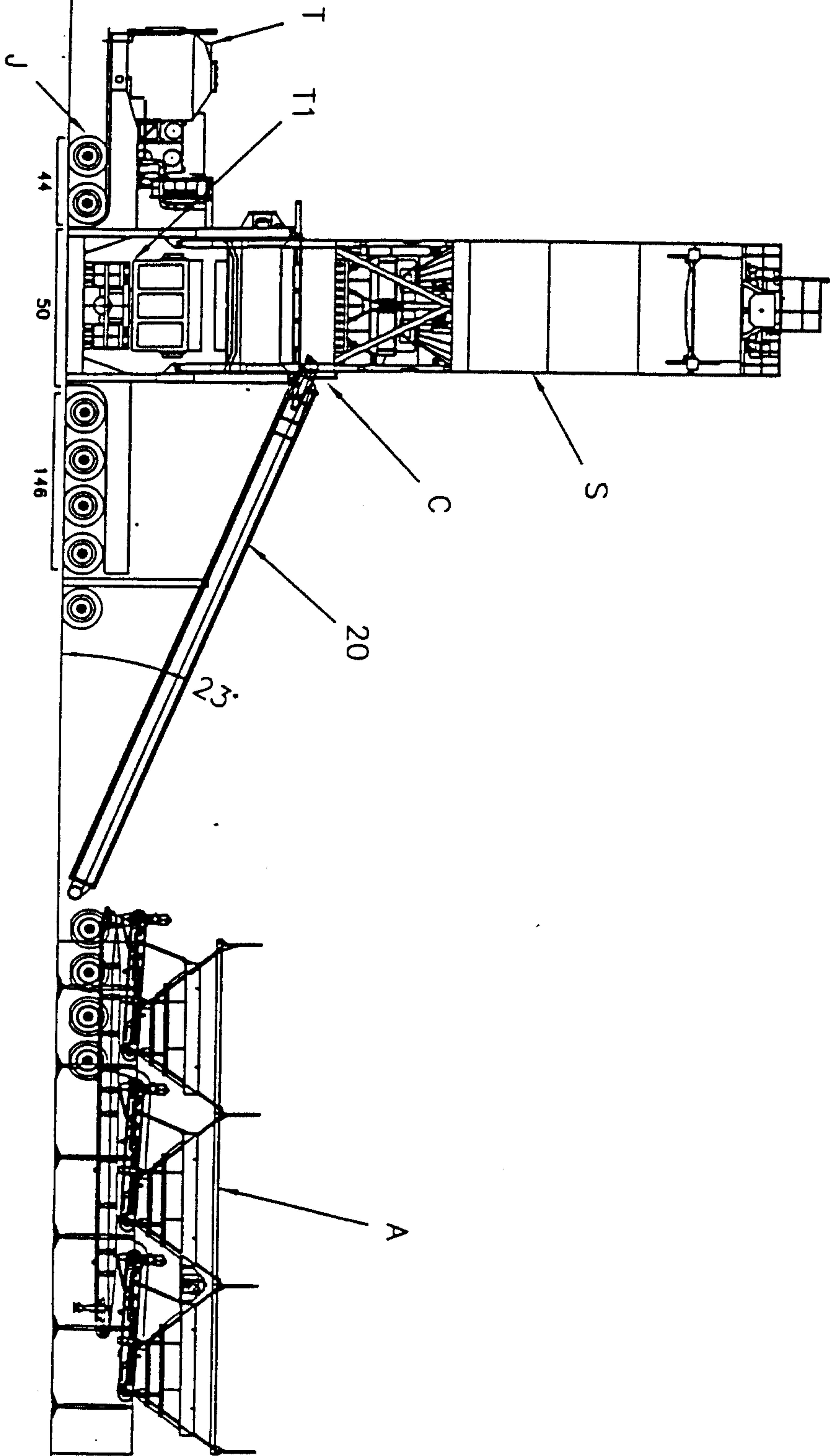


FIGURE 11

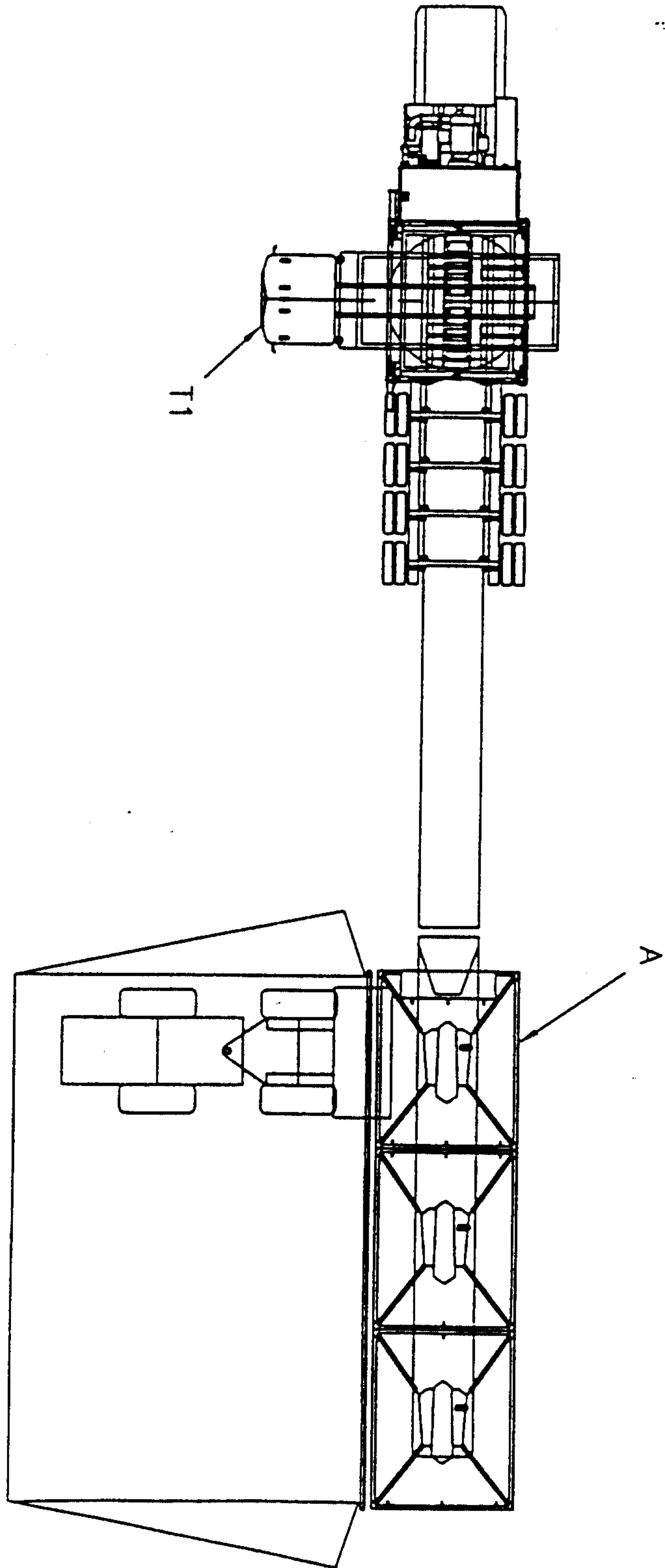


FIGURE 12A

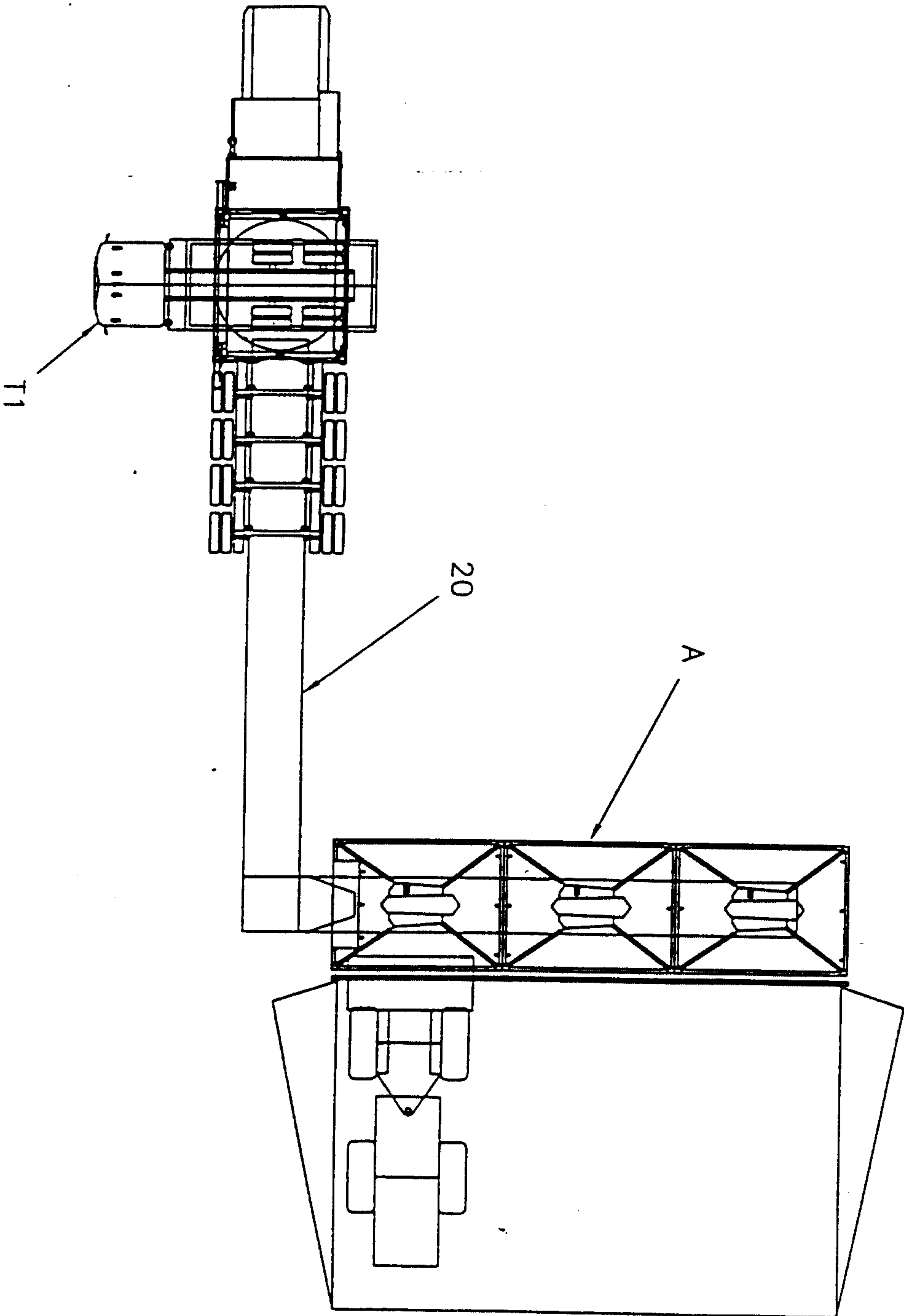


FIGURE 12B

