

CORRECTED VERSION

(19) World Intellectual Property Organization International Bureau



(10) International Publication Number WO 2017/108983 A8

(43) International Publication Date 29 June 2017 (29.06.2017)

(51) International Patent Classification: A24F 47/00 (2006.01)

(21) International Application Number: PCT/EP2016/082223

(22) International Filing Date: 21 December 2016 (21.12.2016)

(25) Filing Language: English

(26) Publication Language: English

(30) Priority Data: 15202201.8 22 December 2015 (22.12.2015) EP

(71) Applicant: PHILIP MORRIS PRODUCTS S.A. [CH/CH]; Quai Jeanrenaud 3, CH-2000 Neuchâtel (CH).

(72) Inventors: SILVESTRINI, Patrick Charles; Chemin de Maujobia 145, CH-2000 Neuchâtel (CH). WALLER, Judith; Rue du Clos 33, CH-2034 Peseux (CH).

(74) Agent: MILLBURN, Julie; Reddie & Grose LLP, The White Chapel Building, 10 Whitechapel High Street, London E1 8QS (GB).

(81) Designated States (unless otherwise indicated, for every kind of national protection available): AE, AG, AL, AM, AO, AT, AU, AZ, BA, BB, BG, BH, BN, BR, BW, BY, BZ, CA, CH, CL, CN, CO, CR, CU, CZ, DE, DJ, DK, DM, DO, DZ, EC, EE, EG, ES, FI, GB, GD, GE, GH, GM, GT, HN, HR, HU, ID, IL, IN, IR, IS, JP, KE, KG, KH, KN, KP, KR, KW, KZ, LA, LC, LK, LR, LS, LU, LY, MA, MD, ME, MG, MK, MN, MW, MX, MY, MZ, NA, NG, NI, NO, NZ, OM, PA, PE, PG, PH, PL, PT, QA, RO, RS, RU, RW, SA, SC, SD, SE, SG, SK, SL, SM, ST, SV, SY, TH, TJ, TM, TN, TR, TT, TZ, UA, UG, US, UZ, VC, VN, ZA, ZM, ZW.

(84) Designated States (unless otherwise indicated, for every kind of regional protection available): ARIPO (BW, GH, GM, KE, LR, LS, MW, MZ, NA, RW, SD, SL, ST, SZ, TZ, UG, ZM, ZW), Eurasian (AM, AZ, BY, KG, KZ, RU, TJ, TM), European (AL, AT, BE, BG, CH, CY, CZ, DE, DK, EE, ES, FI, FR, GB, GR, HR, HU, IE, IS, IT, LT, LU, LV, MC, MK, MT, NL, NO, PL, PT, RO, RS, SE, SI, SK, SM, TR), OAPI (BF, BJ, CF, CG, CI, CM, GA, GN, GQ, GW, KM, ML, MR, NE, SN, TD, TG).

Published: with international search report (Art. 21(3))

(54) Title: A CARTRIDGE FOR AN AEROSOL-GENERATING SYSTEM AND AN AEROSOL-GENERATING SYSTEM COMPRISING A CARTRIDGE

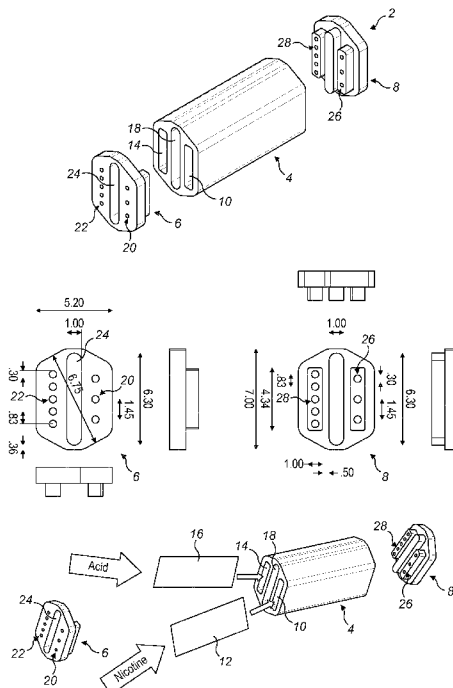


Figure 1

(57) Abstract: A cartridge (2, 102) for use in an aerosol-generating system, the cartridge comprises: an elongate first compartment (10, 110) having a length L<sub>1</sub> and a maximum transverse cross-sectional area A<sub>1</sub>, the first compartment having a first air inlet (20, 120) and a first air outlet (26, 126) and containing a nicotine source comprising a first carrier material (12, 112) loaded with between about 1 milligram and about 50 milligrams of nicotine; and an elongate second compartment (14, 114) having a length L<sub>2</sub> and a maximum transverse cross-sectional area A<sub>2</sub>, the second compartment having a second air inlet (22, 122) and a second air outlet (28, 128) and containing an acid source. The first compartment and the second compartment are arranged in parallel within the cartridge and the ratio (L<sub>1</sub>)<sup>2</sup>:A<sub>1</sub> is at least about 12:1 and the ratio (L<sub>2</sub>)<sup>2</sup>:A<sub>2</sub> is at least about 12:1. An aerosol-generating system (200) comprises: the cartridge (102); and an aerosol-generating device (202) comprising: a housing (206) defining a cavity (208) for receiving at least a portion of the cartridge; and a heater for heating the first compartment and the second compartment of the cartridge.

WO 2017/108983 A8

**(48) Date of publication of this corrected version:**

09 November 2017 (09.11.2017)

**(15) Information about Correction:**

see Notice of 09 November 2017 (09.11.2017)