

June 22, 1943.

J. E. GIBSON, JR

Des. 135,849

TOY

Filed March 10, 1943

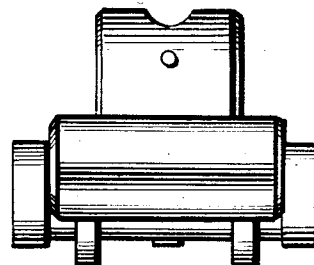
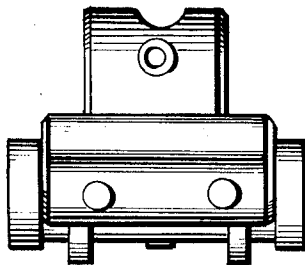
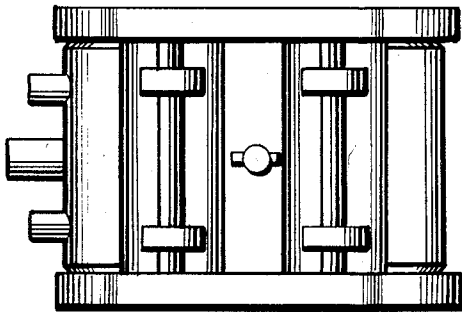
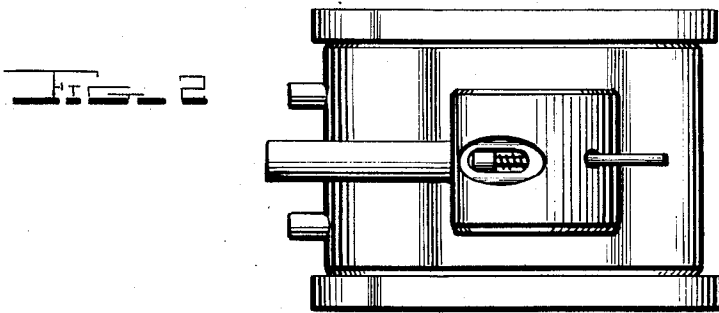
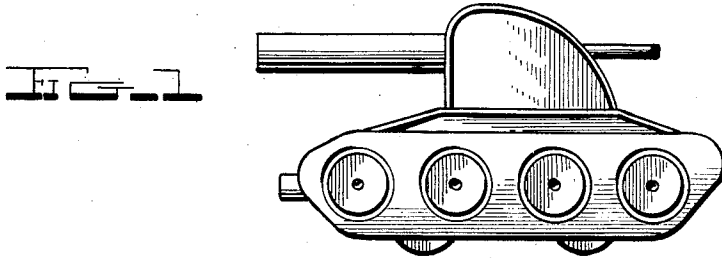


FIG. 4

FIG. 3

FIG. 5

INVENTOR.
JAMES E. GIBSON, JR.

BY

Jacobi & Jacobi
ATTORNEYS

UNITED STATES PATENT OFFICE

135,849

DESIGN FOR A TOY

James E. Gibson, Jr., High Point, N. C.

Application March 10, 1943, Serial No. 109,708

Term of patent 7 years

To all whom it may concern:

Be it known that I, James E. Gibson, Jr., a citizen of the United States, residing at High Point, county of Guilford, and State of North Carolina, have invented a new, original, and ornamental Design for Toys, of which the following is a specification, reference being had to the accompanying drawing forming a part thereof.

Figure 1 is a side elevational view of a toy embodying my new design;

Figure 2 is a top plan view thereof;

Figure 3 is a bottom plan view thereof;

Figure 4 is a front elevational view of the same; and

Figure 5 is a rear elevational view thereof.

I claim:

The ornamental design for a top, as shown.

JAMES E. GIBSON, JR.