



US00D701173S

(12) **United States Design Patent**
Gagne et al.

(10) **Patent No.:** **US D701,173 S**

(45) **Date of Patent:** **** Mar. 18, 2014**

(54) **ELECTRIC DEVICE MOUNTING BRACKET**

OTHER PUBLICATIONS

(75) Inventors: **Jean-Guy Gagne**, Etobicoke (CA);
James W. Rogers, Toronto (CA)

http://www.amazon.com/dp/B006N2TRIK/ref=asc_df_B006N2TRIK2693892/?tag=prontoc... Sep. 4, 2013.*

(73) Assignee: **Brainwave Research Corporation**,
Woodbridge, Ontario (CA)

* cited by examiner

(**) Term: **14 Years**

Primary Examiner — Robert M Spear

Assistant Examiner — Rhea Shields

(74) *Attorney, Agent, or Firm* — Perry + Currier Inc.

(21) Appl. No.: **29/420,414**

(57) **CLAIM**

The ornamental design for an electric device mounting bracket, as shown and described.

(22) Filed: **May 9, 2012**

(51) **LOC (10) Cl.** **13-03**

(52) **U.S. Cl.**

USPC **D13/152**

(58) **Field of Classification Search**

USPC D13/152, 164, 184, 137.1, 139.1, 153,
D13/137.2, 133, 137.4, 139.7, 130, 128,
D13/132, 138.2, 139.3, 139.4, 139.8, 139.6,
D13/123, 160, 107; D14/205, 228;
D7/300.2

See application file for complete search history.

DESCRIPTION

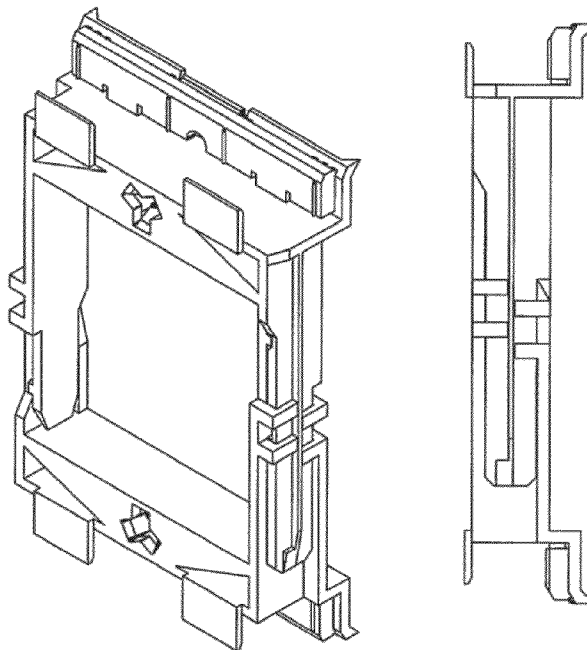
FIG. 1 is a perspective view of an electric device mounting bracket showing the design in a retracted position; FIG. 2 is a front elevation view of the design of FIG. 1; FIG. 3 is a left side elevation view of the design of FIG. 1, wherein the right side elevation view is a mirror image thereof; FIG. 4 is a plan view of the design of FIG. 1, wherein the bottom view is a mirror image thereof; FIG. 5 is a rear view of the design of FIG. 1; FIG. 6 is a perspective view of an electric device mounting bracket showing the design in an extended position; FIG. 7 is a front elevation view of the design of FIG. 6; FIG. 8 is a left side elevation view of the design of FIG. 6, wherein the right side elevation view is a mirror image thereof; FIG. 9 is a plan view of the design of FIG. 6, wherein the bottom view is a mirror image thereof; and, FIG. 10 is a rear view of the design of FIG. 6.

(56) **References Cited**

U.S. PATENT DOCUMENTS

5,138,802	A *	8/1992	Lechner	312/245
5,369,922	A *	12/1994	Hansen	52/204.54
5,509,528	A *	4/1996	Weisburn	206/45.24
7,166,801	B1 *	1/2007	Gretz	174/53
7,179,994	B2 *	2/2007	Elberson	174/58
D579,879	S *	11/2008	Wegner et al.	D13/152
7,975,976	B2 *	7/2011	Wohlford	248/282.1
2012/0240490	A1 *	9/2012	Gangemi	52/173.3
2013/0036703	A1 *	2/2013	Gagne et al.	52/656.2

1 Claim, 6 Drawing Sheets



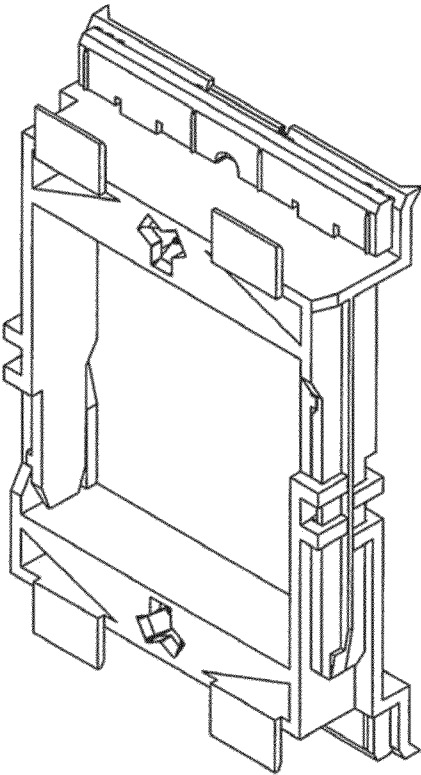


Figure 1

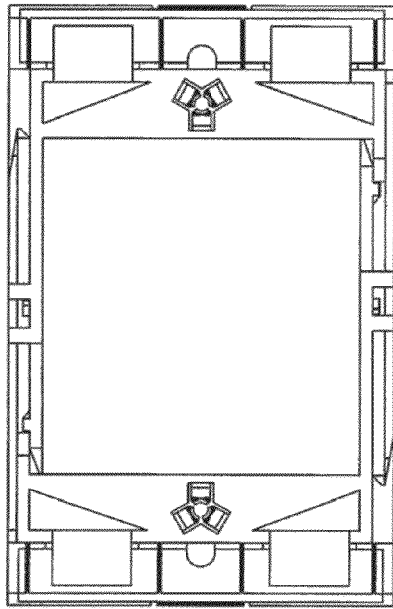


Figure 2

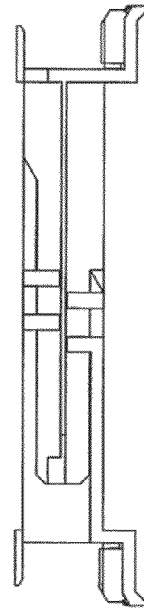


Figure 3

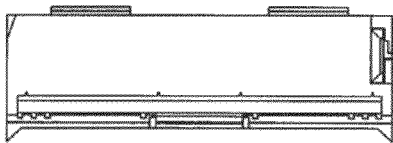


Figure 4

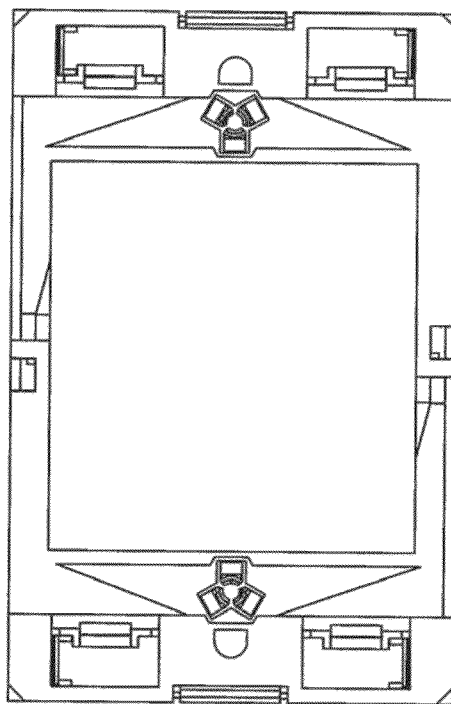


Figure 5

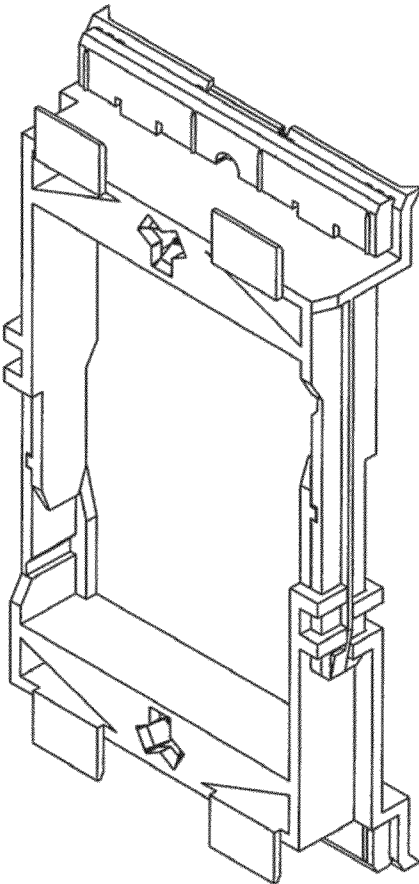


Figure 6

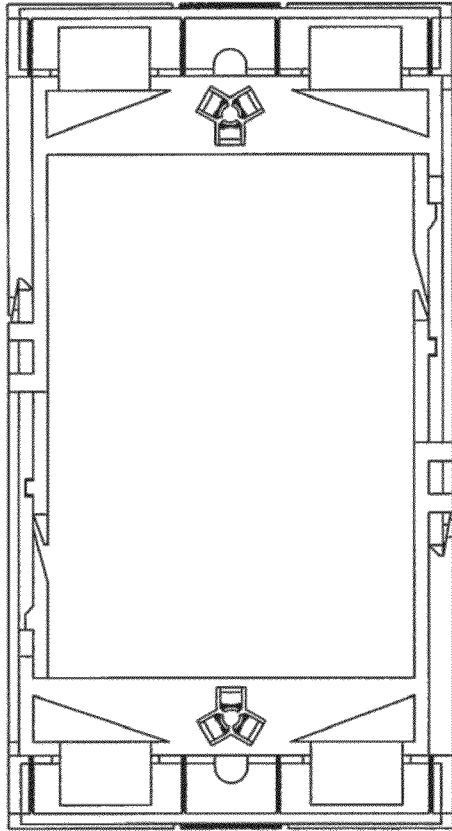


Figure 7

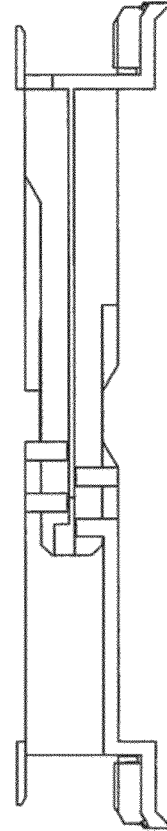


Figure 8

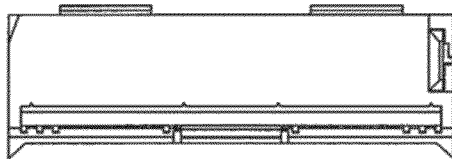


Figure 9

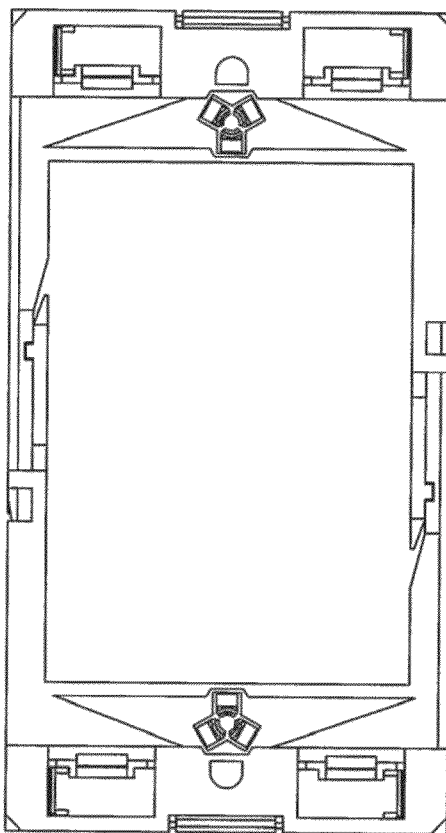


Figure 10