



US0D1006504S

(12) **United States Design Patent**
Chen et al.

(10) **Patent No.:** **US D1,006,504 S**

(45) **Date of Patent:** **** Dec. 5, 2023**

(54) **BOOKSHELF**

(71) Applicant: **MILLERKNOLL, INC.**, Zeeland, MI (US)

(72) Inventors: **Hung-Ming Chen**, Hägersten (SE);
Chen-Yen Wei, Hägersten (SE)

(73) Assignee: **MILLERKNOLL, INC.**, Zeeland, MI (US)

(**) Term: **15 Years**

(21) Appl. No.: **29/767,910**

(22) Filed: **Jan. 26, 2021**

(51) **LOC (14) Cl.** **06-06**

(52) **U.S. Cl.**
USPC **D6/675.1**

(58) **Field of Classification Search**
USPC D6/329, 332, 657, 661, 672, 675, 675.1,
D6/705
CPC A47F 5/0025; A47F 5/0043; A47F 5/0081;
B25H 3/00; B25H 3/04
See application file for complete search history.

(56) **References Cited**

U.S. PATENT DOCUMENTS

D201,164 S *	5/1965	Sylvan	108/107
D210,334 S *	2/1968	Leath	D6/662.1
D243,906 S *	4/1977	Ware	D6/675.1
D286,233 S *	10/1986	Schreiner	D6/650

D318,280 S *	7/1991	Sumrell	D14/224
D339,256 S *	9/1993	Sielaff	D6/675.3
D383,923 S *	9/1997	Muller-Deisig	D6/678.2
D430,756 S *	9/2000	Goff	D6/678.2
D459,117 S *	6/2002	Singh	D6/675.3
6,675,725 B2 *	1/2004	Felton	A47B 57/20 108/107
D872,507 S *	1/2020	Anastassiades	D6/675.1
D968,136 S *	11/2022	Peng	D6/675.1
D970,931 S *	11/2022	Fukasawa	D6/675.1
D974,086 S *	1/2023	Tsigvintsev	D6/675.1

* cited by examiner

Primary Examiner — Kelley A Donnelly

(74) *Attorney, Agent, or Firm* — MICHAEL BEST & FRIEDRICH LLP

(57) **CLAIM**

We claim the ornamental design for a bookshelf, as shown and described.

DESCRIPTION

FIG. 1 is a perspective view of a bookshelf according to an embodiment of the invention.

FIG. 2 is a first side view of the bookshelf of FIG. 1.

FIG. 3 is a second side view of the bookshelf of FIG. 1.

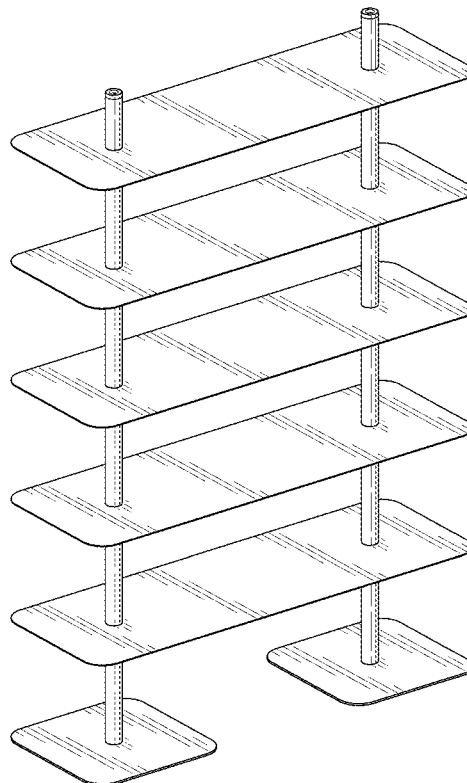
FIG. 4 is a front plan view of the bookshelf of FIG. 1.

FIG. 5 is a rear plan view of the bookshelf of FIG. 1; and,

FIG. 6 is a top plan view of the bookshelf of FIG. 1.

Portions of the bookshelf shown in broken lines are for illustrative purposes only and form no part of the claimed design.

1 Claim, 5 Drawing Sheets



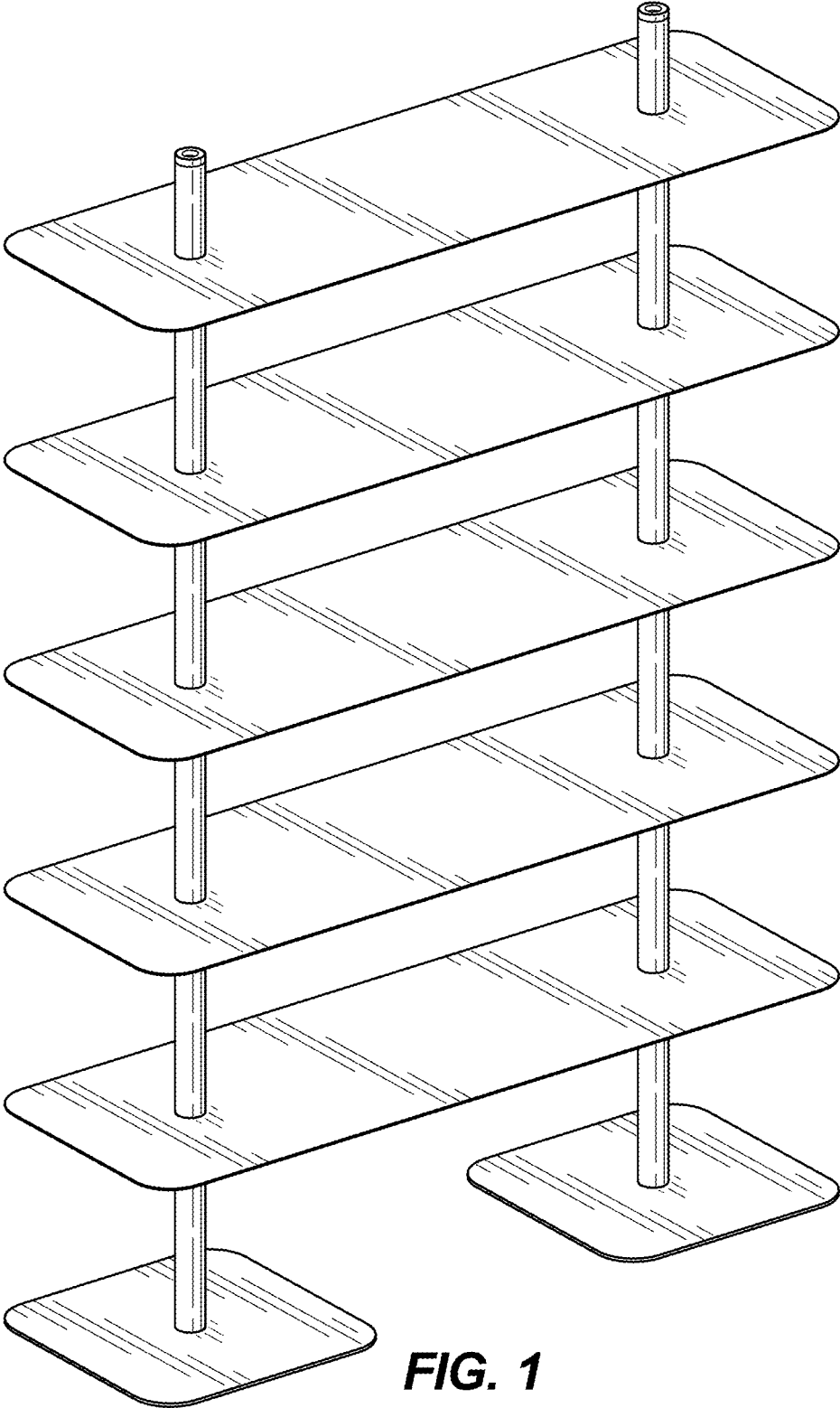


FIG. 1

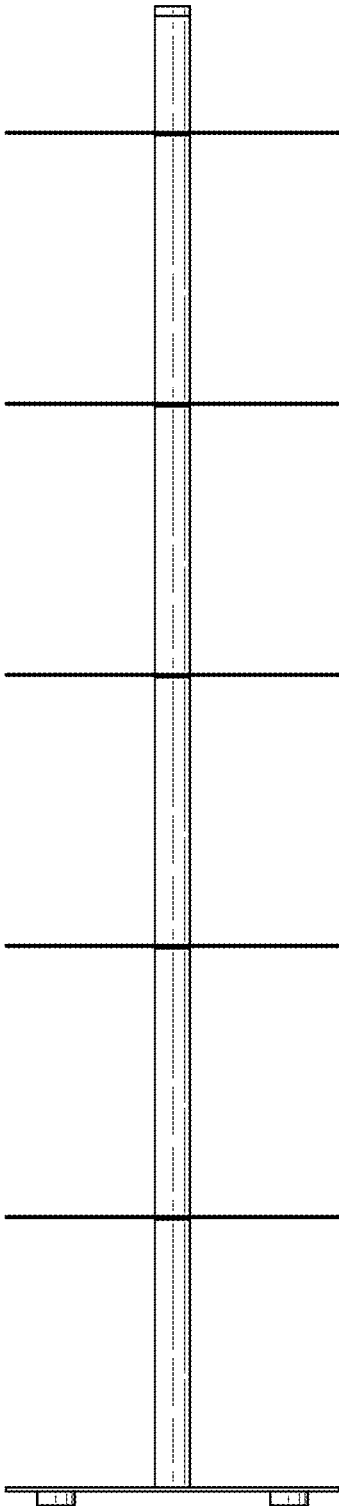


FIG. 2

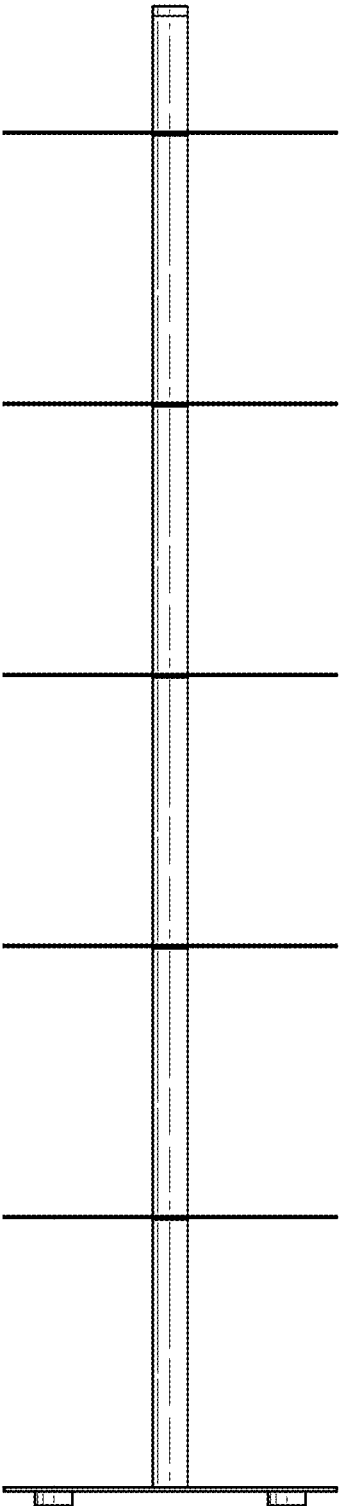


FIG. 3

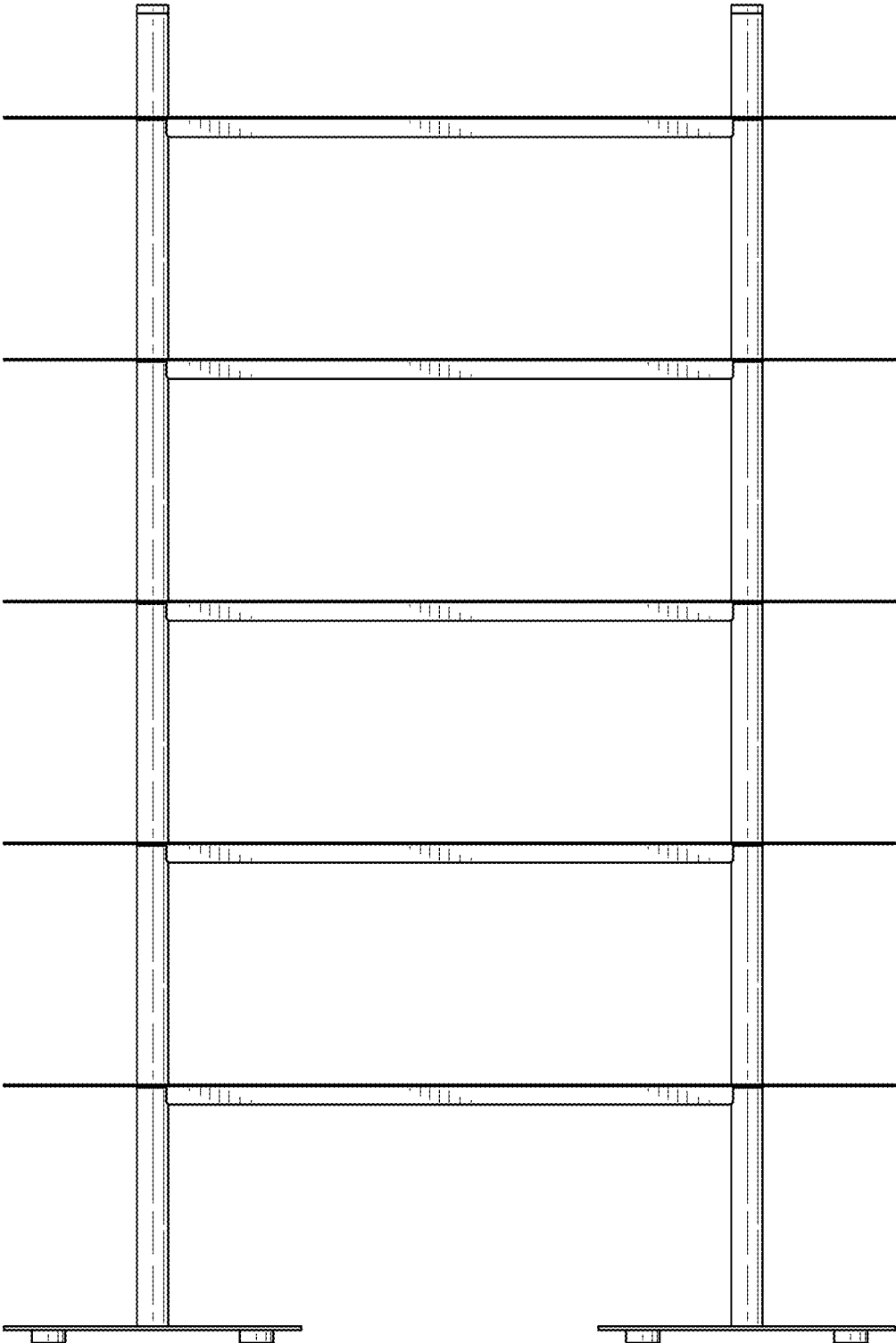


FIG. 4

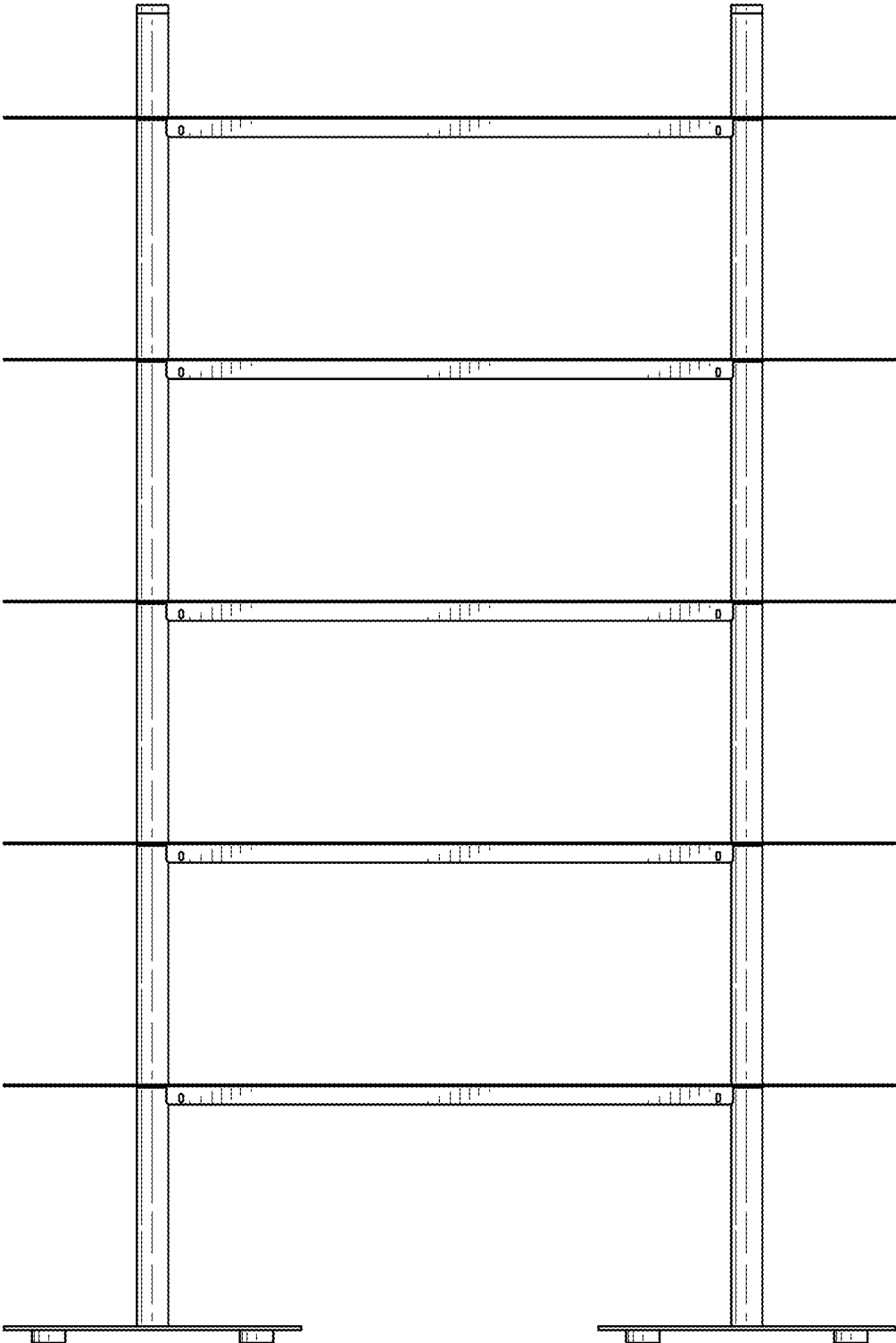


FIG. 5

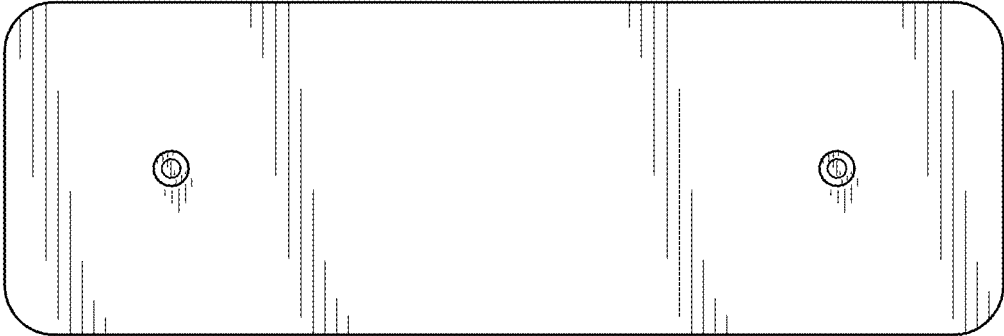


FIG. 6