



- (51) **International Patent Classification:**  
H02P 6/00 (2006.01) H02P 6/08 (2006.01)  
H02P 6/14 (2006.01)
- (21) **International Application Number:**  
PCT/GB2011/050732
- (22) **International Filing Date:**  
13 April 2011 (13.04.2011)
- (25) **Filing Language:** English
- (26) **Publication Language:** English
- (30) **Priority Data:**  
1006396.4 16 April 2010 (16.04.2010) GB
- (71) **Applicant (for all designated States except US):** **DYSON TECHNOLOGY LIMITED** [GB/GB]; Tetbury Hill, Malmesbury, Wiltshire SN16 0RP (GB).
- (72) **Inventors; and**
- (75) **Inventors/Applicants (for US only):** **CHEN, Yu** [CN/GB]; c/o Dyson Technology Limited, Tetbury Hill, Malmesbury, Wiltshire SN16 0RP (GB). **CELIK, Tuncay** [TR/GB]; c/o Dyson Technology Limited, Tetbury Hill, Malmesbury, Wiltshire SN16 0RP (GB). **GREETHAM, Stephen** [GB/GB]; c/o Dyson Technology Limited, Tetbury Hill, Malmesbury, Wiltshire SN16 0RP (GB).
- (74) **Agents:** **LOBBAN, Colin** et al.; Dyson Technology Limited, Intellectual Property Department, Tetbury Hill, Malmesbury, Wiltshire SN16 0RP (GB).

- (81) **Designated States (unless otherwise indicated, for every kind of national protection available):** AE, AG, AL, AM, AO, AT, AU, AZ, BA, BB, BG, BH, BR, BW, BY, BZ, CA, CH, CL, CN, CO, CR, CU, CZ, DE, DK, DM, DO, DZ, EC, EE, EG, ES, FI, GB, GD, GE, GH, GM, GT, HN, HR, HU, ID, IL, IN, IS, JP, KE, KG, KM, KN, KP, KR, KZ, LA, LC, LK, LR, LS, LT, LU, LY, MA, MD, ME, MG, MK, MN, MW, MX, MY, MZ, NA, NG, NI, NO, NZ, OM, PE, PG, PH, PL, PT, RO, RS, RU, SC, SD, SE, SG, SK, SL, SM, ST, SV, SY, TH, TJ, TM, TN, TR, TT, TZ, UA, UG, US, UZ, VC, VN, ZA, ZM, ZW.
- (84) **Designated States (unless otherwise indicated, for every kind of regional protection available):** ARIPO (BW, GH, GM, KE, LR, LS, MW, MZ, NA, SD, SL, SZ, TZ, UG, ZM, ZW), Eurasian (AM, AZ, BY, KG, KZ, MD, RU, TJ, TM), European (AL, AT, BE, BG, CH, CY, CZ, DE, DK, EE, ES, FI, FR, GB, GR, HR, HU, IE, IS, IT, LT, LU, LV, MC, MK, MT, NL, NO, PL, PT, RO, RS, SE, SI, SK, SM, TR), OAPI (BF, BJ, CF, CG, CI, CM, GA, GN, GQ, GW, ML, MR, NE, SN, TD, TG).

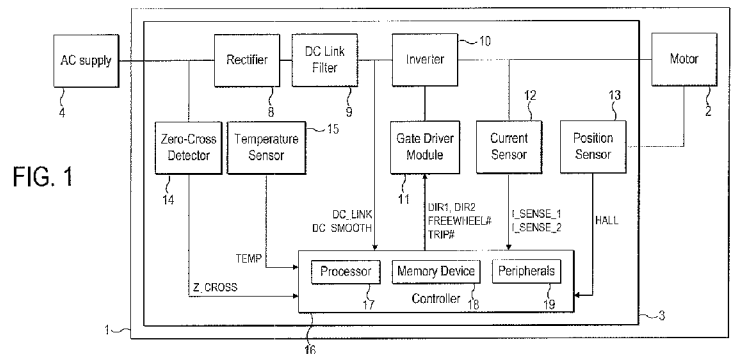
**Published:**

- with international search report (Art. 21(3))
- before the expiration of the time limit for amending the claims and to be republished in the event of receipt of amendments (Rule 48.2(h))

- (88) **Date of publication of the international search report:**  
1 November 2012

WO 2011/128685 A3

(54) **Title:** CONTROL OF A BRUSHLESS MOTOR



(57) **Abstract:** A method of controlling a brushless motor, the method comprising rectifying an alternating voltage to provide a rectified voltage, and exciting a winding of the motor with the rectified voltage. The winding is excited in advance of predetermined rotor positions by an advance period that is updated in response to a zero-crossing in the alternating voltage. Additionally, a control system that implements the method, and a motor system that incorporates the control system.

# INTERNATIONAL SEARCH REPORT

International application No  
PCT/GB2011/050732

A. CLASSIFICATION OF SUBJECT MATTER  
 INV. H02P6/00 H02P6/14 H02P6/08  
 ADD.  
 According to International Patent Classification (IPC) or to both national classification and IPC

B. FIELDS SEARCHED  
 Minimum documentation searched (classification system followed by classification symbols)  
 H02P  
 Documentation searched other than minimum documentation to the extent that such documents are included in the fields searched

Electronic data base consulted during the international search (name of data base and, where practicable, search terms used)  
 EPO-Internal, WPI Data

C. DOCUMENTS CONSIDERED TO BE RELEVANT

Category*	Citation of document, with indication, where appropriate, of the relevant passages	Relevant to claim No.
X	WO 01/80414 A1 (SEB SA [FR]; HERRADA JOSE [FR]; DANCER PAUL [FR]) 25 October 2001 (2001-10-25) the whole document	1-11
A	----- US 5 420 492 A (SOOD PRADEEP K [US] ET AL) 30 May 1995 (1995-05-30)	1-11
A	----- US 4 250 435 A (ALLEY ROBERT P [US] ET AL) 10 February 1981 (1981-02-10) -----	1-11

Further documents are listed in the continuation of Box C.

See patent family annex.

\* Special categories of cited documents :

<p>"A" document defining the general state of the art which is not considered to be of particular relevance</p> <p>"E" earlier application or patent but published on or after the international filing date</p> <p>"L" document which may throw doubts on priority claim(s) or which is cited to establish the publication date of another citation or other special reason (as specified)</p> <p>"O" document referring to an oral disclosure, use, exhibition or other means</p> <p>"P" document published prior to the international filing date but later than the priority date claimed</p>	<p>"T" later document published after the international filing date or priority date and not in conflict with the application but cited to understand the principle or theory underlying the invention</p> <p>"X" document of particular relevance; the claimed invention cannot be considered novel or cannot be considered to involve an inventive step when the document is taken alone</p> <p>"Y" document of particular relevance; the claimed invention cannot be considered to involve an inventive step when the document is combined with one or more other such documents, such combination being obvious to a person skilled in the art</p> <p>"&amp;" document member of the same patent family</p>
---	---

Date of the actual completion of the international search  <b>9 August 2012</b>	Date of mailing of the international search report  <b>23/08/2012</b>
---	---

Name and mailing address of the ISA/ European Patent Office, P.B. 5818 Patentlaan 2 NL - 2280 HV Rijswijk Tel. (+31-70) 340-2040, Fax: (+31-70) 340-3016	Authorized officer  <p style="text-align: center;"><b>Segaert, Pascal</b></p>
--	---

**INTERNATIONAL SEARCH REPORT**

Information on patent family members

International application No

PCT/GB2011/050732

Patent document cited in search report	Publication date	Patent family member(s)	Publication date
WO 0180414	A1	25-10-2001	AT 476784 T 15-08-2010
			AU 5047501 A 30-10-2001
			EP 1275196 A1 15-01-2003
			ES 2349761 T3 11-01-2011
			FR 2807890 A1 19-10-2001
			WO 0180414 A1 25-10-2001
-----			
US 5420492	A	30-05-1995	CA 2113284 A1 15-07-1994
			US 5420492 A 30-05-1995
-----			
US 4250435	A	10-02-1981	NONE
-----			